



US00D822126S

(12) **United States Design Patent**
Allmendinger et al.

(10) **Patent No.:** **US D822,126 S**
(45) **Date of Patent:** **** Jul. 3, 2018**

(54) **MODEL VEHICLE PLATFORM**

D577,083 S * 9/2008 Nakayama D21/562
D593,616 S * 6/2009 Asai D21/562
D597,151 S * 7/2009 Ishikawa D21/562

(71) Applicant: **TRAXXAS LP**, McKinney, TX (US)

(72) Inventors: **Otto Karl Allmendinger**, Rowlett, TX (US); **Jonathan Scott Wood**, Plano, TX (US); **Jory Sprowl**, Wolfe City, TX (US); **Roy Perryman**, Fairview, TX (US); **Terry Dale Soward**, Van Alstyne, TX (US); **Casey Christen Jens Christensen**, McKinney, TX (US); **Adam Cole Ewing**, McKinney, TX (US); **Kent Poteet**, Lucas, TX (US)

(73) Assignee: **Traxxas, LP**, McKinney, TX (US)

(**) Term: **15 Years**

(21) Appl. No.: **29/540,003**

(22) Filed: **Sep. 18, 2015**

(51) **LOC (11) Cl.** **21-01**

(52) **U.S. Cl.**
USPC **D21/562**

(58) **Field of Classification Search**
USPC D21/398, 533, 548, 549, 550, 551, 552, D21/557, 560, 561, 562, 580, 581; 446/154, 164, 231, 233, 236-242, 265, 446/266, 273, 437, 462, 465, 470
CPC A63H 17/00; A63H 17/002; A63H 17/004; A63H 17/26; A63H 17/262; A63H 17/264; A63H 17/266; A63H 17/34; A63H 17/36; A63H 17/38; A63H 29/00; A63H 29/16; A63H 29/165; A63H 29/22; A63H 29/24

See application file for complete search history.

(56) **References Cited**

U.S. PATENT DOCUMENTS

D309,930 S * 8/1990 Asaeda D21/548
D317,336 S * 6/1991 Tsuchiya D21/550
D332,979 S * 2/1993 Tsuchiya D21/562
D534,593 S * 1/2007 Yuen D21/562

OTHER PUBLICATIONS

Unknown, Axial SCX10 II 2000 Jeep Cherokee 1/10th Scale Electric 4WD—RTR; <http://www.axialracing.com/products/ax90047>; Aug. 2016.
Unknown, Axial SCX10 Deadbolt 1/10th Scale Electric 4WD—RTR; <http://www.axialracing.com/products/ax90044>; Aug. 2016.
Unknown, Tibus Off-Road Engineering; Land Rover Defender; <http://www.tibus-offroad.com/en/products/bolt-on-portals/land-rover/>; Aug. 2016.
Unknown, HPI Racing; HPI Venture FJ Cruiser; <http://www.hpiracing.com/en/article/view/2016012702>; Aug. 2016.
Unknown, Traxxas; Slash 4x4 Overview; Oct. 2009.

* cited by examiner

Primary Examiner — Cynthia M Chin

(74) *Attorney, Agent, or Firm* — Daryl R. Wright; Greg Carr

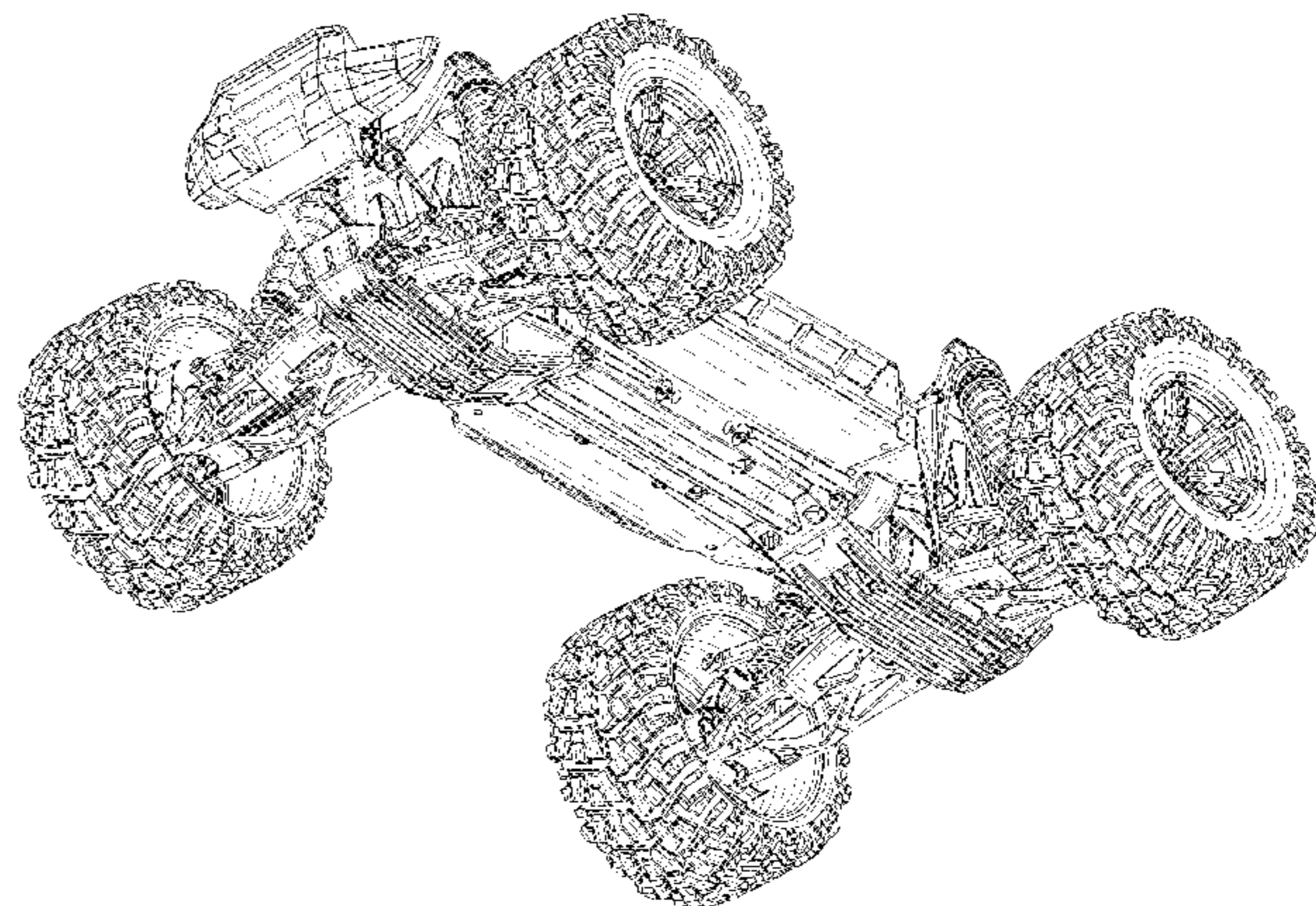
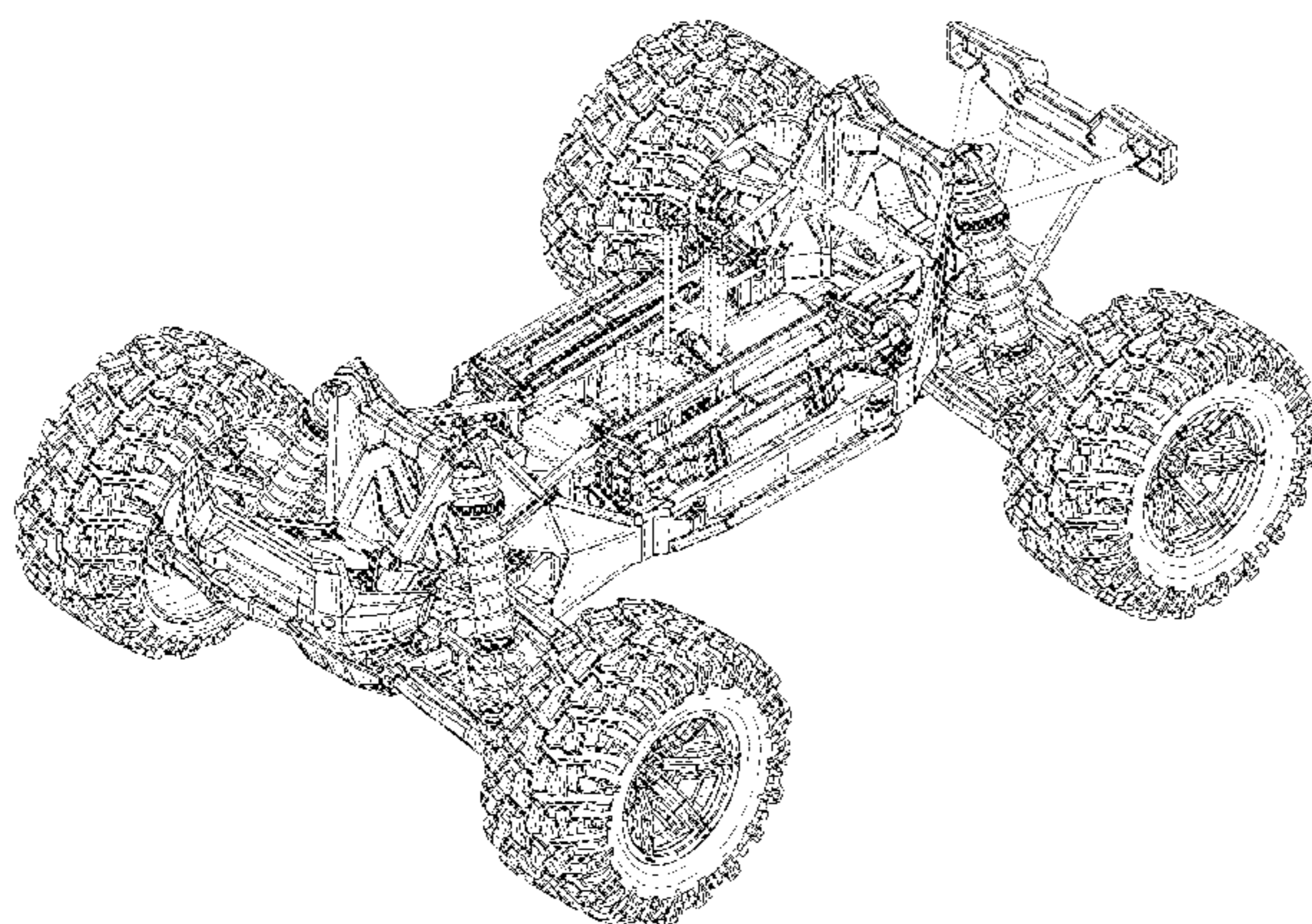
(57) **CLAIM**

We claim the ornamental design for a model vehicle platform, as shown and described.

DESCRIPTION

FIG. 1 is a, top, left, front perspective view of a model vehicle platform;
FIG. 2 is a front elevation view thereof;
FIG. 3 is a left side elevation view thereof;
FIG. 4 is a rear elevation view thereof;
FIG. 5 is a top plan view thereof;
FIG. 6 is a bottom plan view thereof; and,
FIG. 7 is a bottom, left, front perspective view thereof.
Structural elements depicted by broken lines have been shown for the purpose of illustrating portions of the model vehicle platform that form no part of the claimed design.

(Continued)



The appearance of the right side of the model vehicle platform is a mirror image of the left side of model vehicle platform.

1 Claim, 7 Drawing Sheets

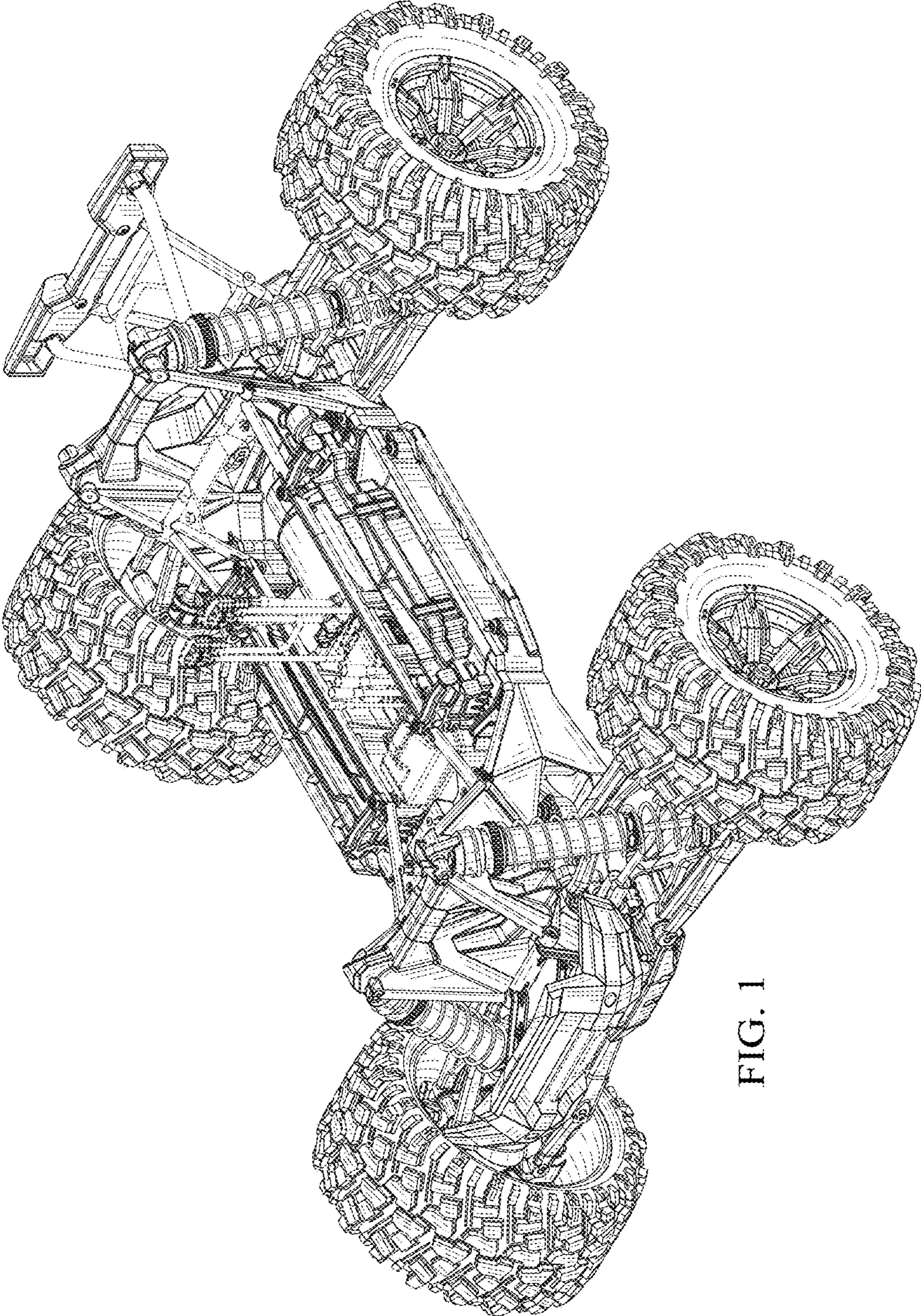


FIG. 1

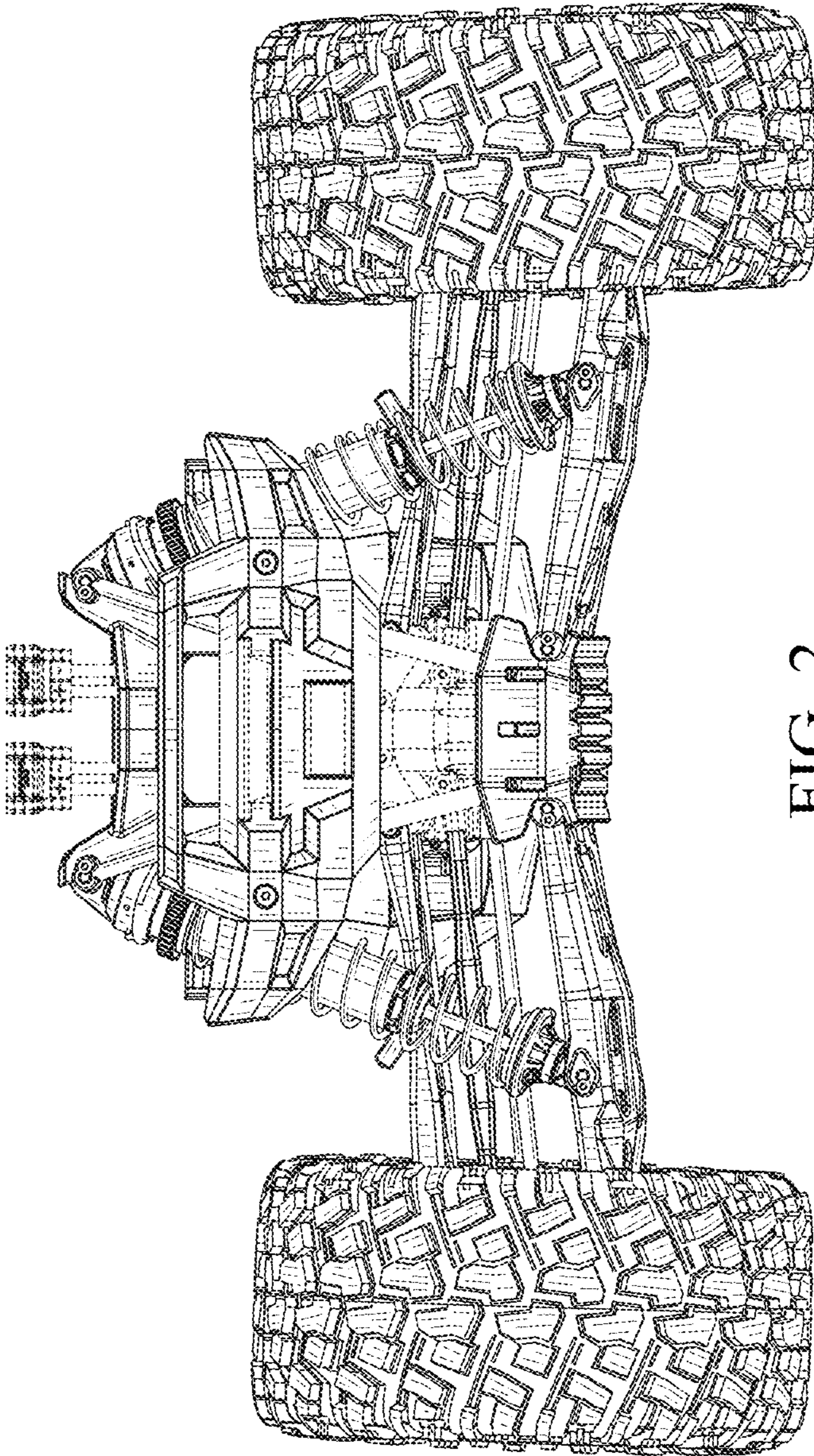


FIG. 2

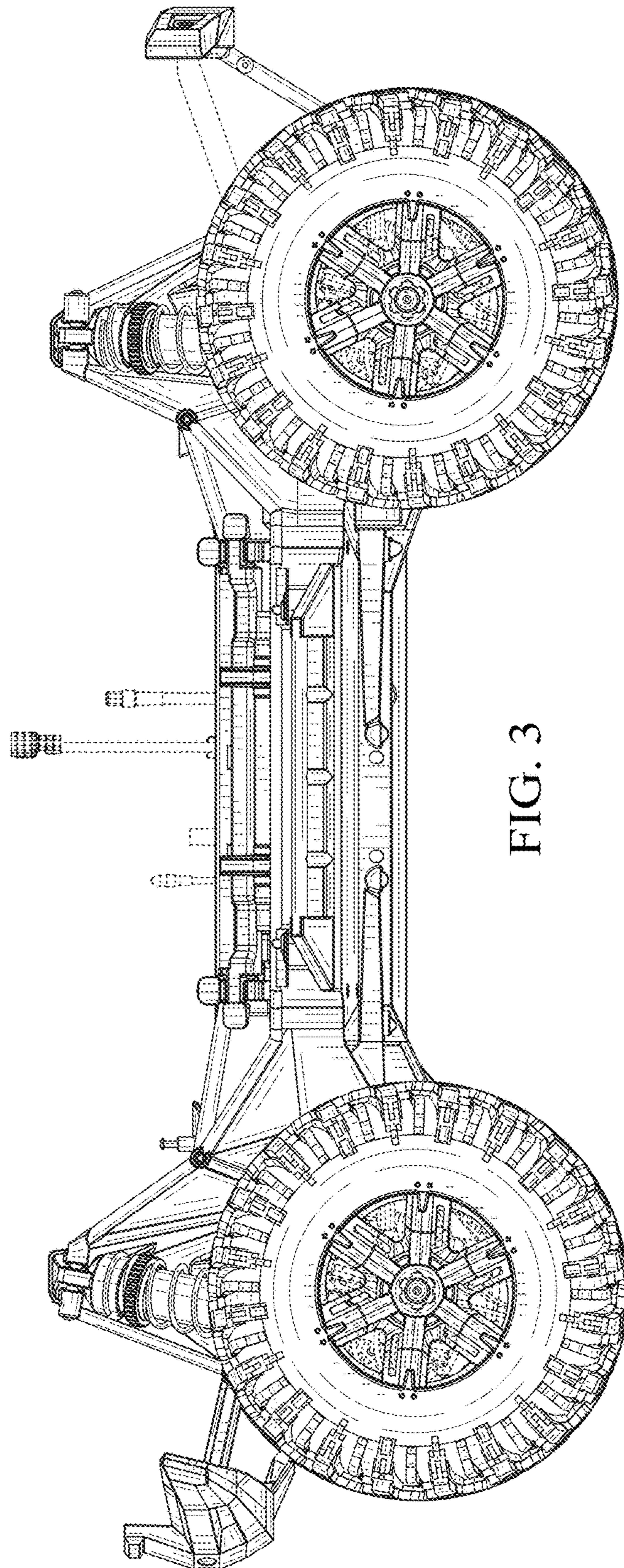


FIG. 3

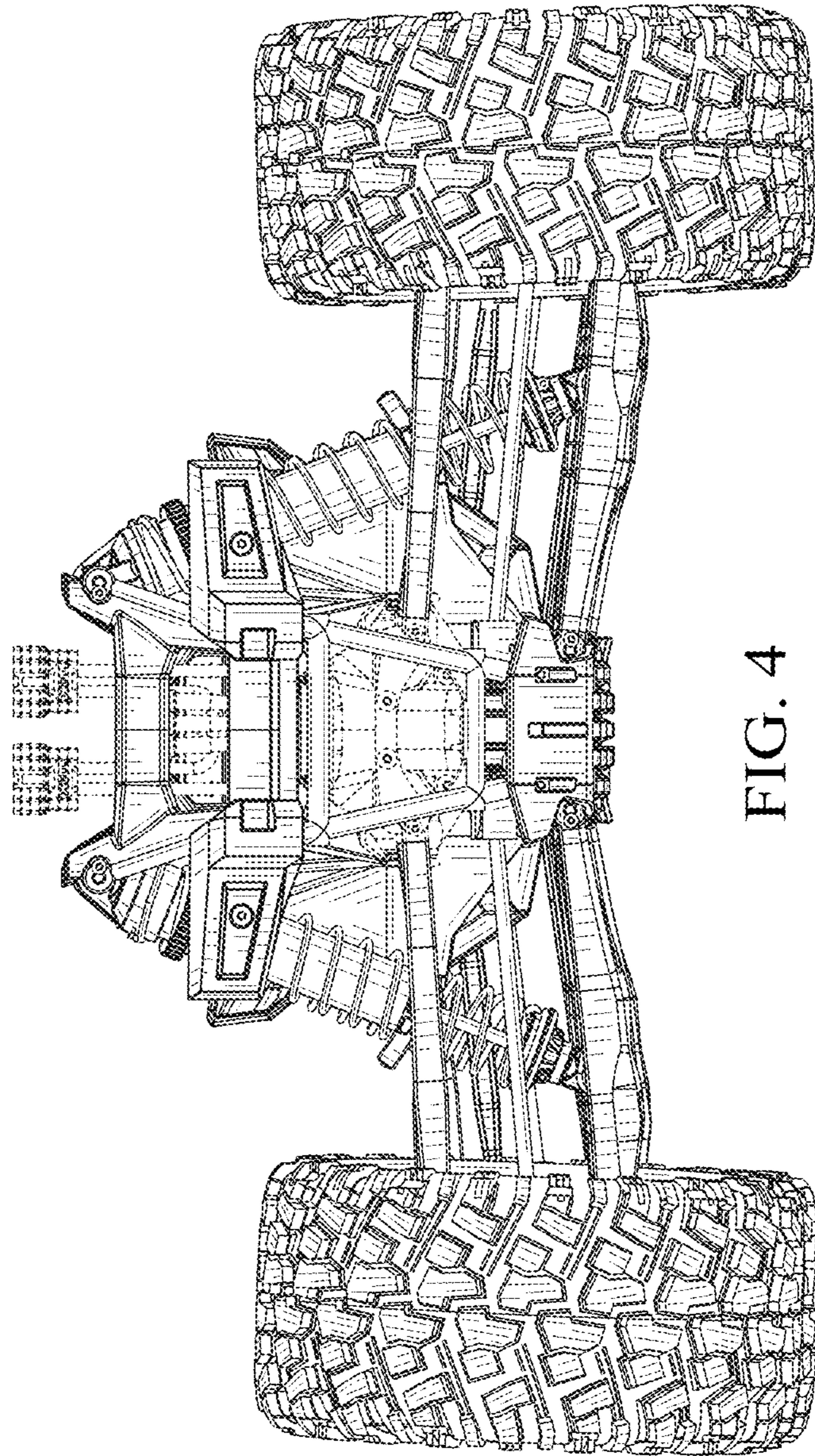


FIG. 4

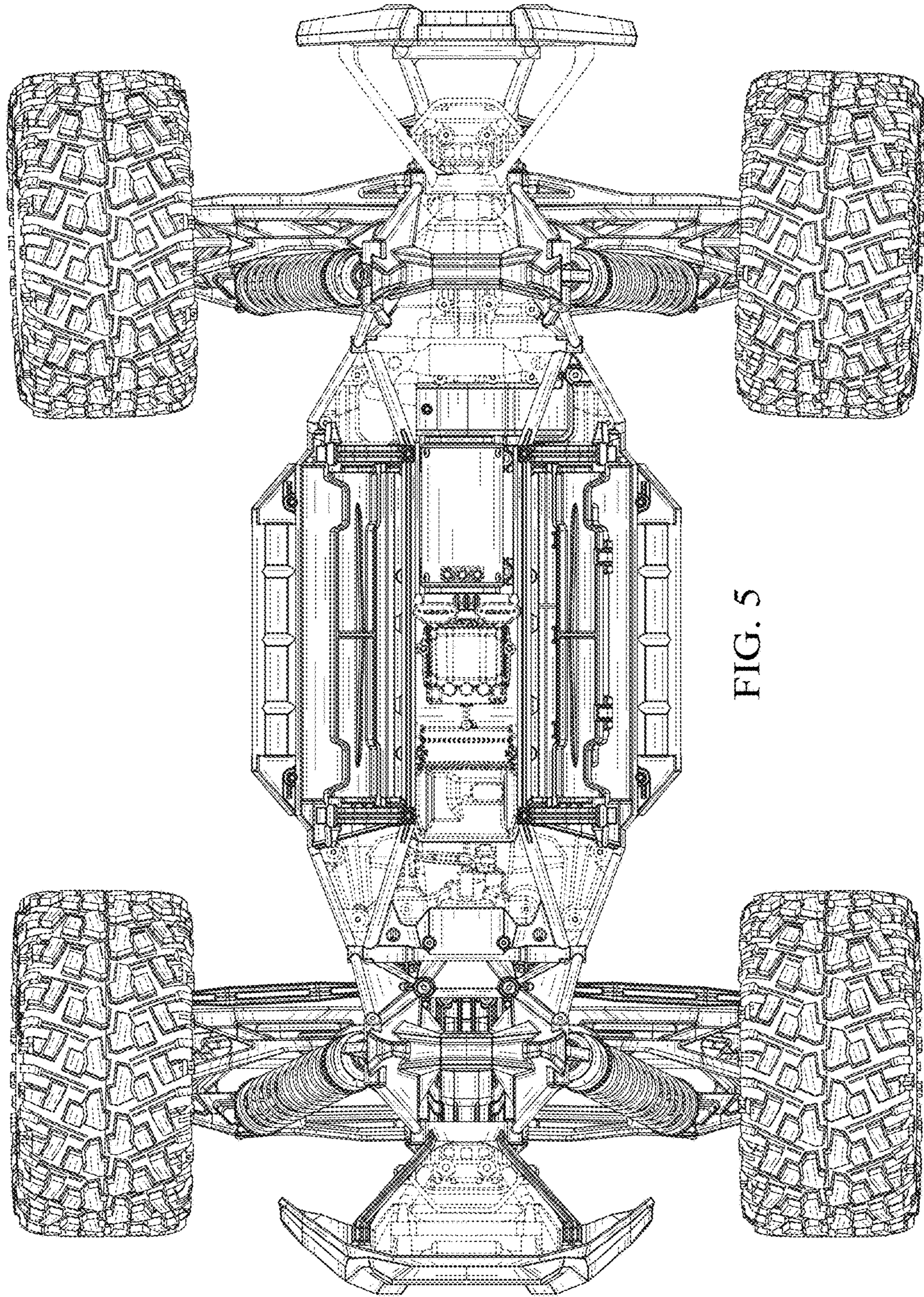


FIG. 5

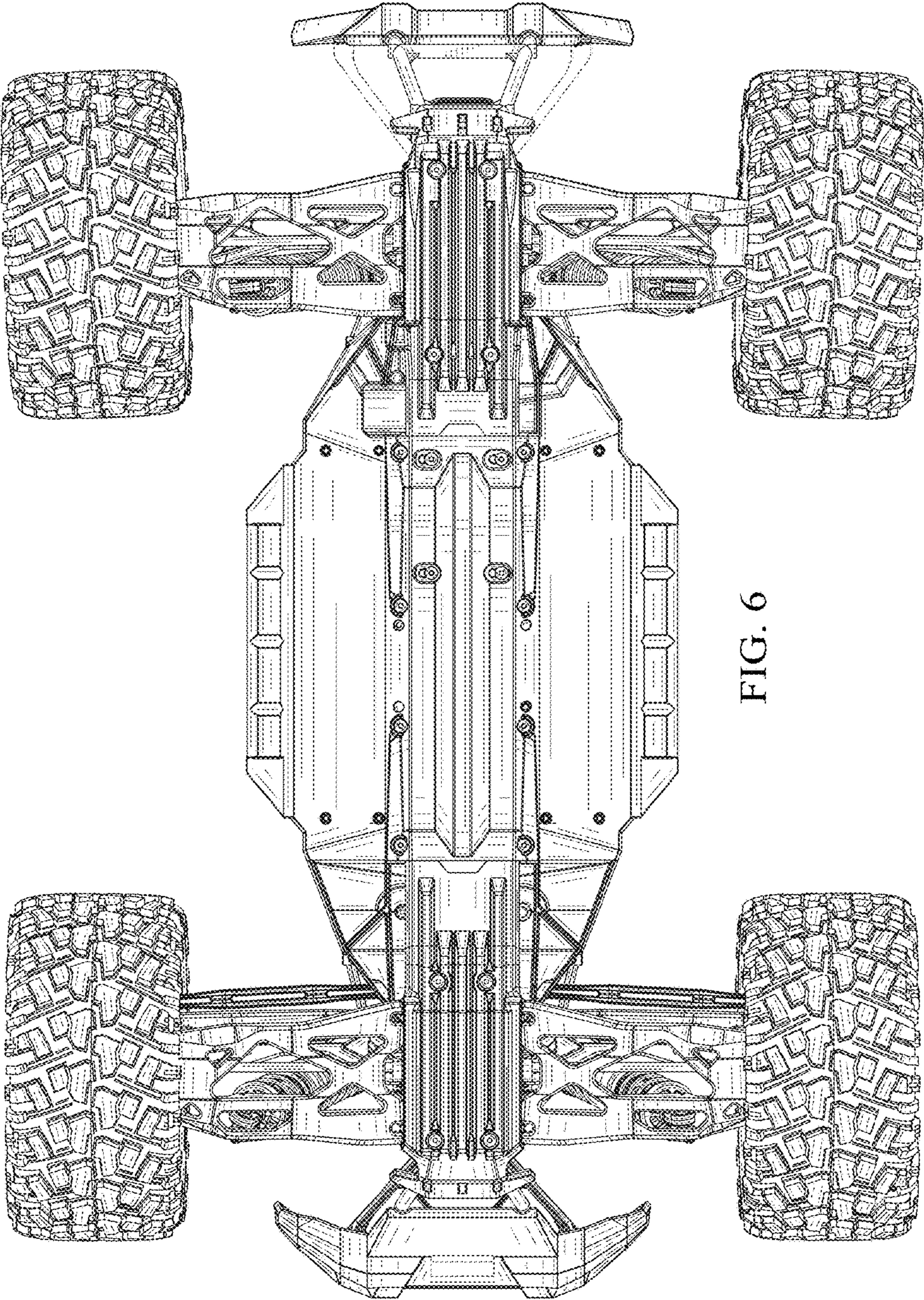


FIG. 6

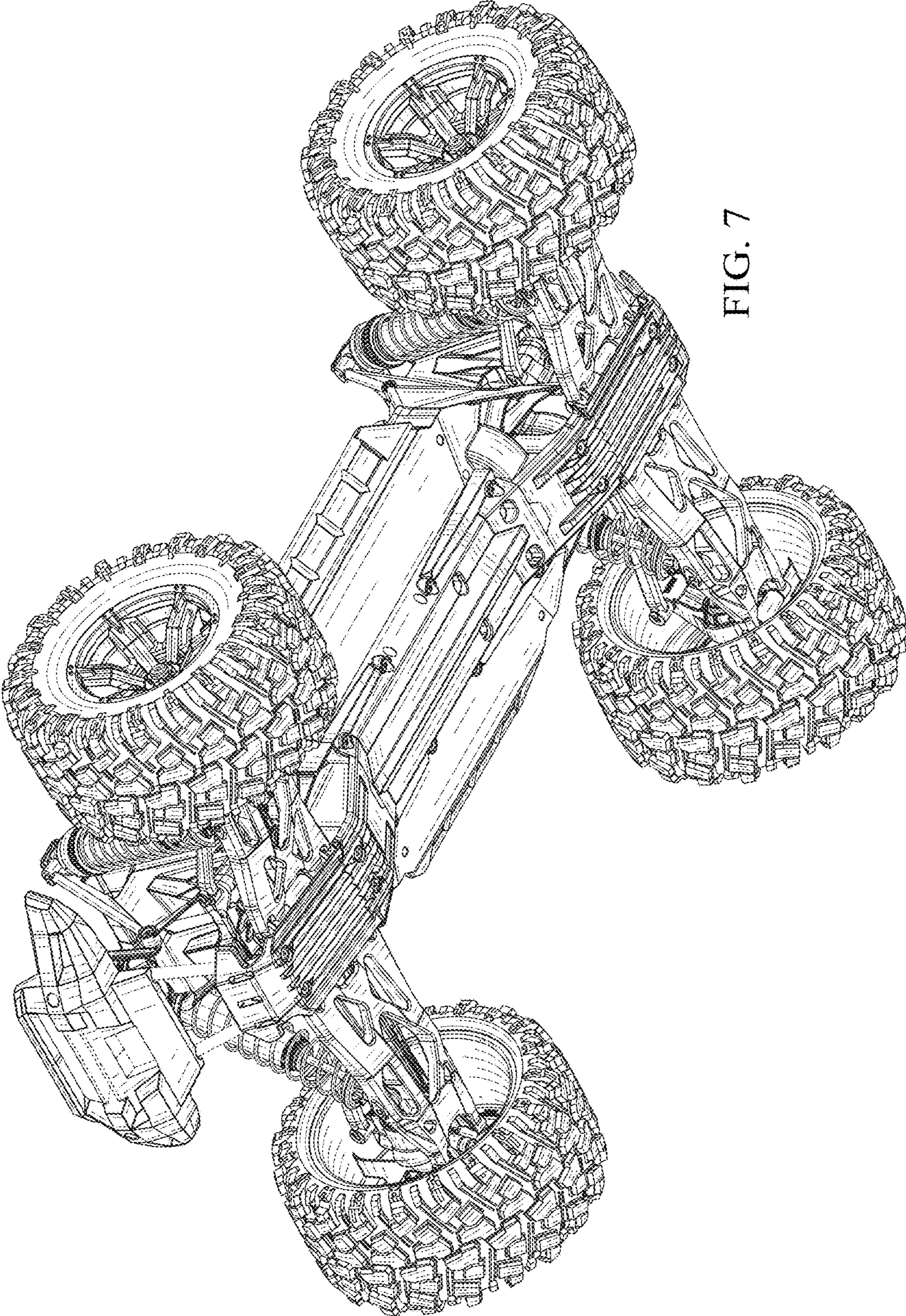


FIG. 7