



US00D822125S

(12) **United States Design Patent**  
**Ewing et al.**

(10) **Patent No.:** **US D822,125 S**  
(45) **Date of Patent:** **\*\* Jul. 3, 2018**

(54) **COMBINED STEERING BLOCK AND C-HUB FOR A MODEL VEHICLE**

(71) Applicant: **TRAXXAS LP**, McKinney, TX (US)

(72) Inventors: **Adam Cole Ewing**, McKinney, TX (US); **Otto Karl Allmendinger**, Rowlett, TX (US)

(73) Assignee: **Traxxas, LP**, McKinney, TX (US)

(\*\*) Term: **15 Years**

(21) Appl. No.: **29/540,014**

(22) Filed: **Sep. 19, 2015**

(51) **LOC (11) Cl.** ..... **21-01**

(52) **U.S. Cl.**

USPC ..... **D21/561**

(58) **Field of Classification Search**

USPC ..... D21/398, 533, 548, 549, 550, 551, 552, D21/557, 560, 561, 562, 580, 581;

(Continued)

(56) **References Cited**

**U.S. PATENT DOCUMENTS**

1,377,905 A 5/1921 Martz  
1,432,237 A 10/1922 Dutton

(Continued)

**OTHER PUBLICATIONS**

Associated Electrics; Catalog and parts listing for the Monster GT truck; 2003; Associated Electrics, Inc.; Costa Mesa, California; (admitted prior art).

(Continued)

*Primary Examiner* — Cynthia M Chin

(74) *Attorney, Agent, or Firm* — Daryl R. Wright; Greg Carr

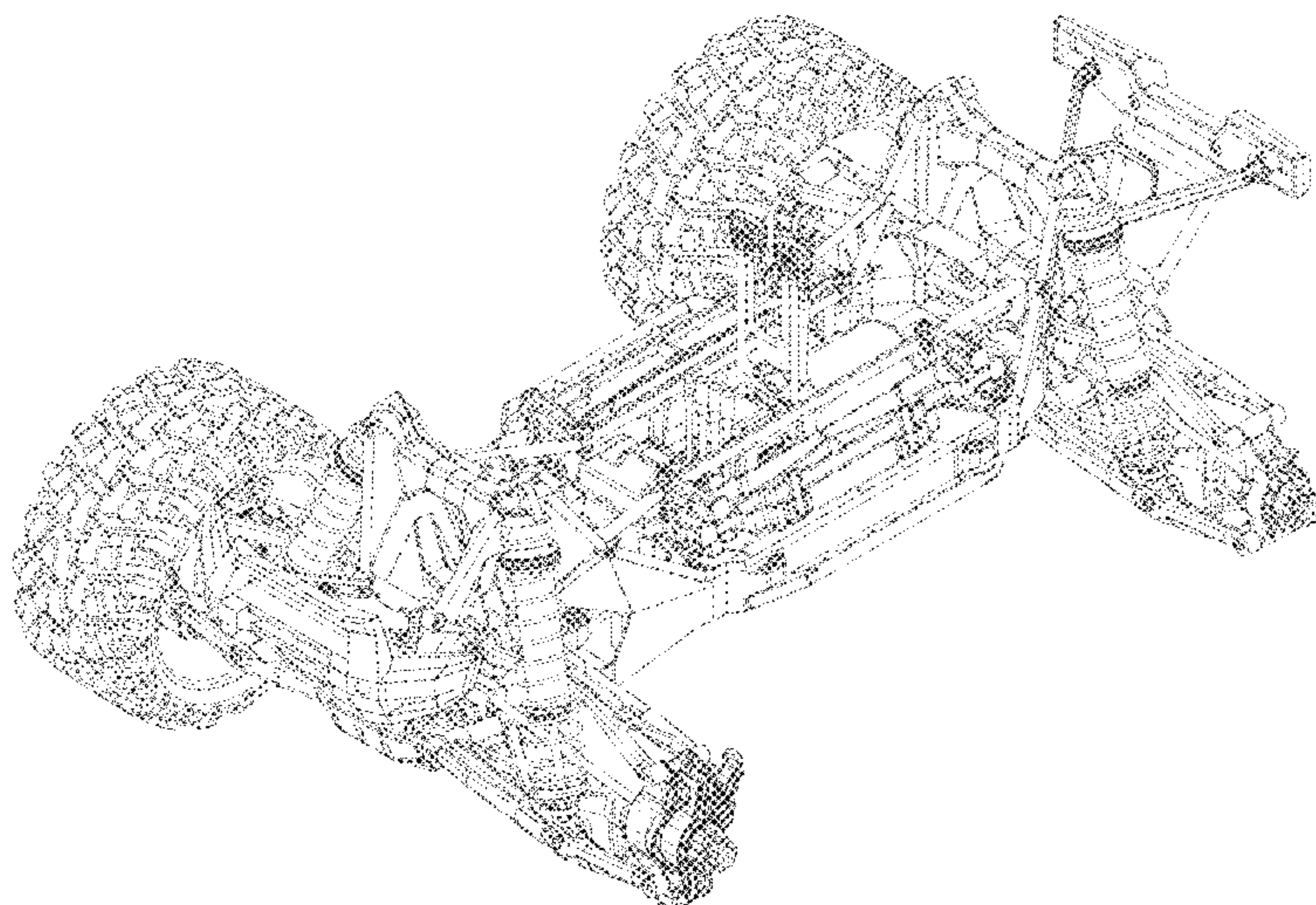
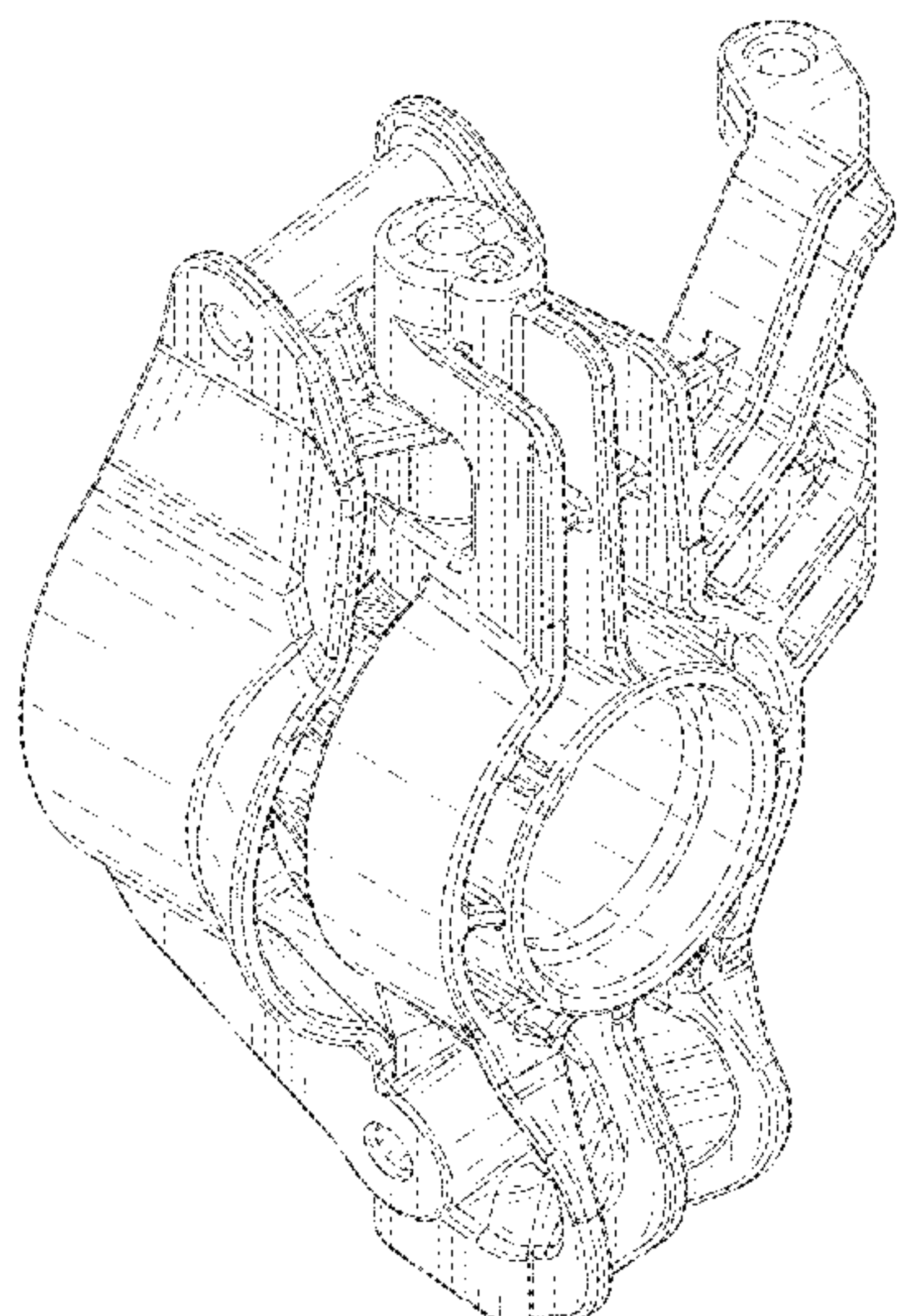
(57) **CLAIM**

We claim the ornamental design for a combined steering block and C-hub for a model vehicle, as shown and described.

**DESCRIPTION**

FIG. 1 is a right elevation view of a steering block of the combined steering block and C-hub for a model vehicle, shown separately for the ease and clarity of illustration; FIG. 2 is a left elevation view thereof; FIG. 3 is a rear elevation view thereof; FIG. 4 is a front side elevation view thereof; FIG. 5 is a top plan view thereof; FIG. 6 is a bottom plan view thereof; FIG. 7 is a top, front, left perspective view thereof; FIG. 8 is a right elevation view of a C-hub of the combined steering block and C-hub for a model vehicle, shown separately for the ease and clarity of illustration; FIG. 9 is a left elevation view thereof; FIG. 10 is a rear elevation view thereof; FIG. 11 is a front side elevation view thereof; FIG. 12 is a top plan view thereof; FIG. 13 is a bottom plan view thereof; FIG. 14 is a top, front, left perspective view thereof; FIG. 15 is a right elevation view of a combined steering block C-hub; FIG. 16 is a left elevation view thereof; FIG. 17 is a rear elevation view thereof; FIG. 18 is a front side elevation view thereof; FIG. 19 is a top plan view thereof; FIG. 20 is a bottom plan view thereof; FIG. 21 is a top, front, left perspective view of the combined steering block C-hub; FIG. 22 is a top, front, left, environmental perspective view of the combined steering block C-hub; and, FIG. 23 is an enlarged detail view of the top, front, left, environmental perspective view of the combined steering block C-hub taken from a left section of FIG. 22. Structural elements depicted by broken lines have been shown for the purpose of illustrating portions of the combined steering block and C-hub and its environment that form no part of the claimed design.

**1 Claim, 14 Drawing Sheets**





(58) **Field of Classification Search**

USPC ..... 446/154, 164, 231, 233, 236–242, 265,  
446/266, 273, 437, 462, 465, 470  
CPC .... A63H 17/00; A63H 17/002; A63H 17/004;  
A63H 17/26; A63H 17/262; A63H  
17/264; A63H 17/266; A63H 17/34;  
A63H 17/36; A63H 17/38; A63H 29/00;  
A63H 29/16; A63H 29/165; A63H 29/22;  
A63H 29/24

See application file for complete search history.

D403,023	S *	12/1998	Araki .....	D21/562
5,954,586	A	9/1999	Kirson	
6,113,459	A	9/2000	Nammoto	
6,202,781	B1	3/2001	Ima	
6,394,878	B1 *	5/2002	Wang .....	A63H 17/262 446/454
6,416,136	B1	7/2002	Smith	
6,513,614	B2	2/2003	Knutson et al.	
6,676,527	B2	1/2004	Kudo et al.	
6,773,353	B2	8/2004	Cornay et al.	
6,783,136	B2	8/2004	Pronsias Timoney et al.	
6,793,555	B1	9/2004	Tilbor et al.	
6,796,567	B2	9/2004	Shimizu et al.	
6,820,707	B1	11/2004	Cantemir	
6,869,244	B2	3/2005	Anderton et al.	
7,000,931	B1	2/2006	Chevalier	
7,029,016	B2	4/2006	Lin	
7,077,234	B2	7/2006	Klais et al.	
7,144,326	B2	12/2006	Thompson	
7,234,715	B2	6/2007	Downs et al.	
7,350,792	B1	4/2008	Garman	
7,793,951	B2	9/2010	Byers et al.	
7,810,604	B2	10/2010	Byers et al.	
7,841,923	B2 *	11/2010	Marzetta .....	A63H 17/262 180/349
8,052,345	B2	11/2011	Byers et al.	
8,574,022	B2 *	11/2013	Grisolia .....	A63H 17/004 446/437
2002/0065021	A1 *	5/2002	Wang .....	A63H 17/262 446/454
2002/0160688	A1 *	10/2002	Rehkemper .....	A63H 3/28 446/301
2002/0163151	A1	11/2002	Timoney et al.	
2002/0165031	A1	11/2002	Riefe	
2004/0005931	A1	1/2004	Wang et al.	
2004/0231910	A1	11/2004	Mercier et al.	
2006/0055139	A1	3/2006	Furumi et al.	
2006/0232035	A1	10/2006	Lambert	
2006/0240897	A1	10/2006	Carlini et al.	
2007/0293328	A1	12/2007	Mazziotti	
2008/0067768	A1	3/2008	Yang	

(56) **References Cited**

U.S. PATENT DOCUMENTS

1,455,706	A	5/1923	Bower et al.	
1,610,580	A	12/1926	Nicholson	
1,641,224	A	9/1927	Gurney	
2,041,992	A	5/1936	Noel	
2,083,085	A	6/1937	Marley	
2,132,545	A	10/1938	Smith	
2,285,445	A	6/1942	Kost	
2,547,435	A	4/1951	Bouchard	
2,631,044	A	3/1953	Booth	
2,707,109	A	4/1955	Umstott	
2,926,938	A	3/1960	Ratti	
2,974,974	A	3/1961	Merritt	
2,993,716	A	7/1961	Viktor	
3,246,719	A	4/1966	Lahr	
3,306,077	A	2/1967	Piatti Sanzio Pio Vincenzo	
3,333,654	A	8/1967	Price-Stephens	
3,411,815	A	11/1968	Sullivan, Jr.	
3,498,622	A	3/1970	Belart	
3,522,861	A	8/1970	Middlesworth et al.	
3,556,241	A	1/1971	Mitchell et al.	
3,587,767	A	6/1971	Gamaunt	
3,709,314	A	1/1973	Hickey	
3,767,221	A	10/1973	Asberg	
3,858,412	A	1/1975	Fisher et al.	
4,111,571	A	9/1978	Farrant	
4,225,148	A	9/1980	Andersson	
4,487,429	A	12/1984	Ruggles	
4,509,932	A	4/1985	Weible	
4,518,170	A	5/1985	Musgrove	
4,540,385	A	9/1985	Krude	
4,632,203	A	12/1986	Krude	
4,690,656	A *	9/1987	Friedman .....	A63H 17/262 446/424
D304,472	S *	11/1989	Poulsen .....	D21/561
D304,473	S *	11/1989	Poulsen .....	D21/561
4,895,052	A	1/1990	Gleasant et al.	
4,964,265	A	10/1990	Young	
D311,942	S *	11/1990	Dideriksen .....	D21/561
D332,978	S *	2/1993	Tsuchiya .....	D21/562
5,230,660	A	7/1993	Warnke	
5,249,638	A	10/1993	Watanabe et al.	
5,338,247	A *	8/1994	Miles .....	A63H 17/262 180/56
5,498,208	A	3/1996	Braun	
5,615,967	A	4/1997	Hellon	
5,653,304	A	8/1997	Renfroe	
5,653,547	A	8/1997	Teramachi et al.	
5,775,972	A	7/1998	Siu	
5,785,576	A	7/1998	Belton	
5,816,352	A	10/1998	Hacker	

OTHER PUBLICATIONS

Kyosho, “Inferno MP7.5—Exploded View”; Kyosho Corp. Of America, Lake Forest, California (admitted prior art).  
Kyosho, “V-ONER New Generation Touring Car—Instruction Manual”; 2000, Kyosho Corp. of America, Lake Forest, California.  
Unknown; Mercedes Benz; Ball Joint; 1 photograph (admitted prior art).  
Pro-Line, “Servo Saver”; Pro-Line, Beaumont, California; 1 photograph (admitted prior art).  
Samarins; CV Joint Boot, Apr. 25, 2006, [https://www.samarins.com/glossary/cv\\_joint.html](https://www.samarins.com/glossary/cv_joint.html), 1 photograph (admitted prior art).  
Horizon Hobby; “Team Losi LST Super Truck—Operations Guide”; pp. 1-23; Horizon Hobby, Inc., Champaign, Illinois; (admitted prior art).  
Traxxas; “T-MAXX, Front Assembly” exploded view; Traxxas LP, Plano, Texas; (admitted prior art).  
XRay, “T1R Raycer — Instruction Manual”; XRay Model Racing Cars, Trencin, Slovak Republic, Europe (admitted prior art).  
Warren, J. H.; Running Gear for Vehicles, Oct. 10, 1899, U.S. Pat. No. 634,597, Cleveland, Ohio.

\* cited by examiner

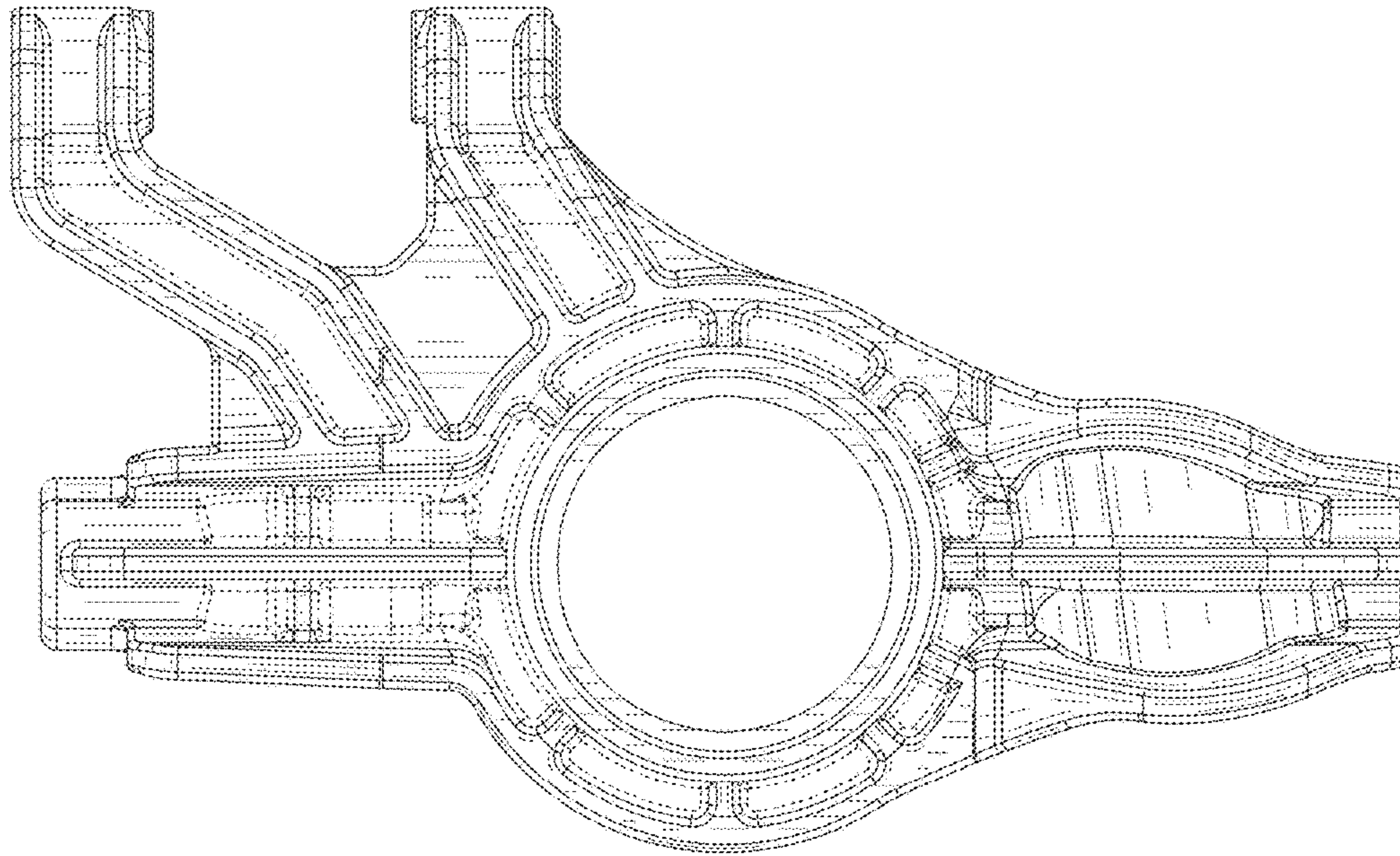


FIG. 2

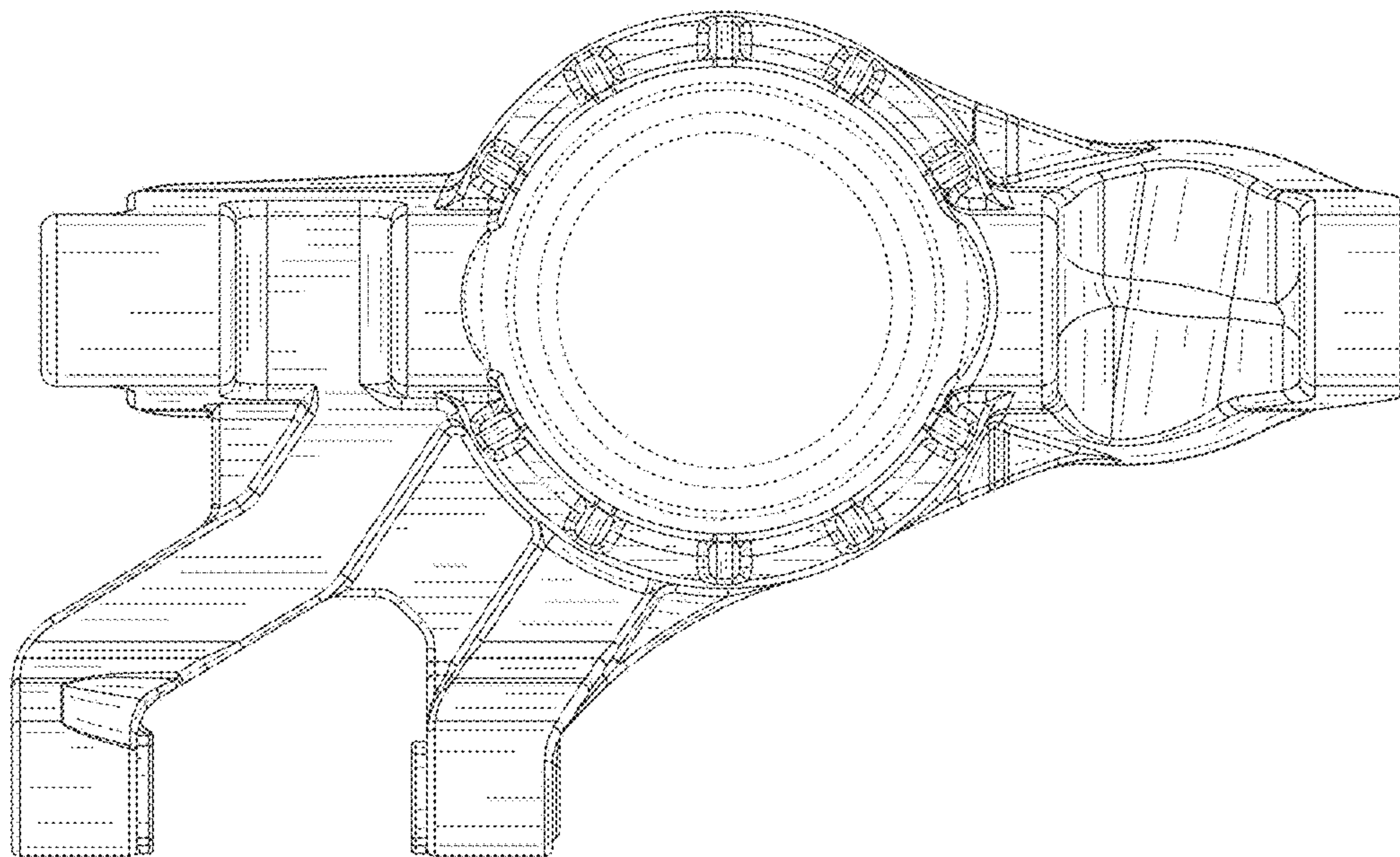
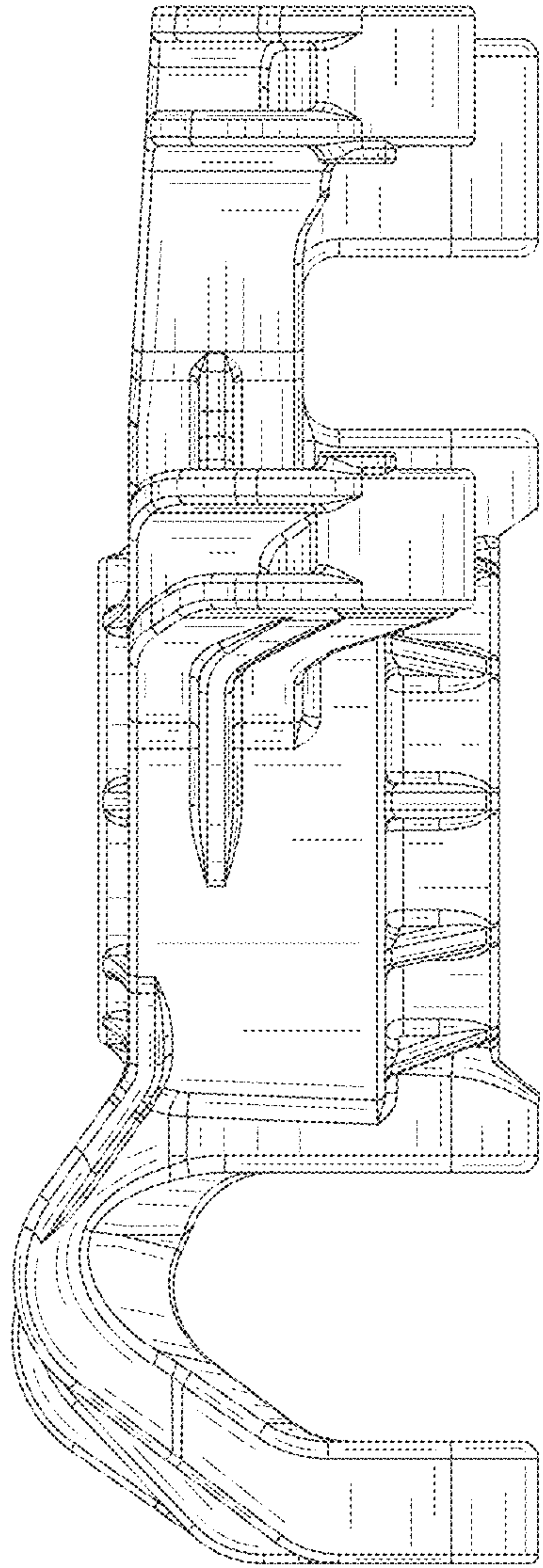
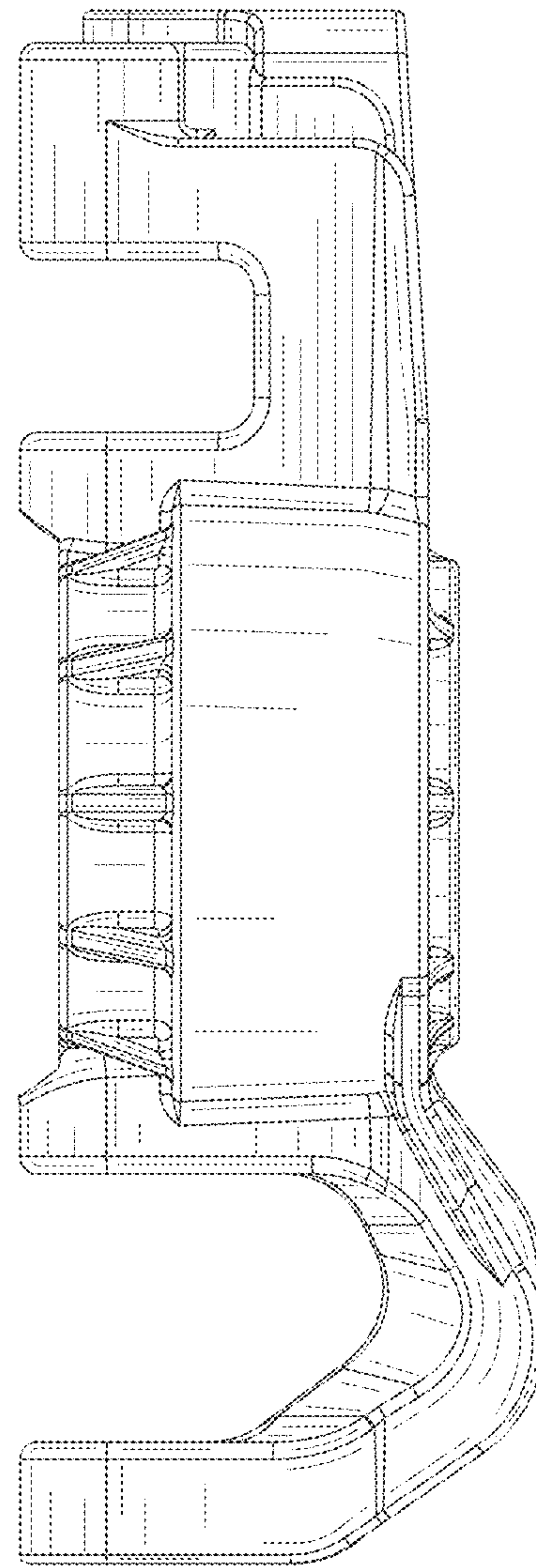


FIG. 1

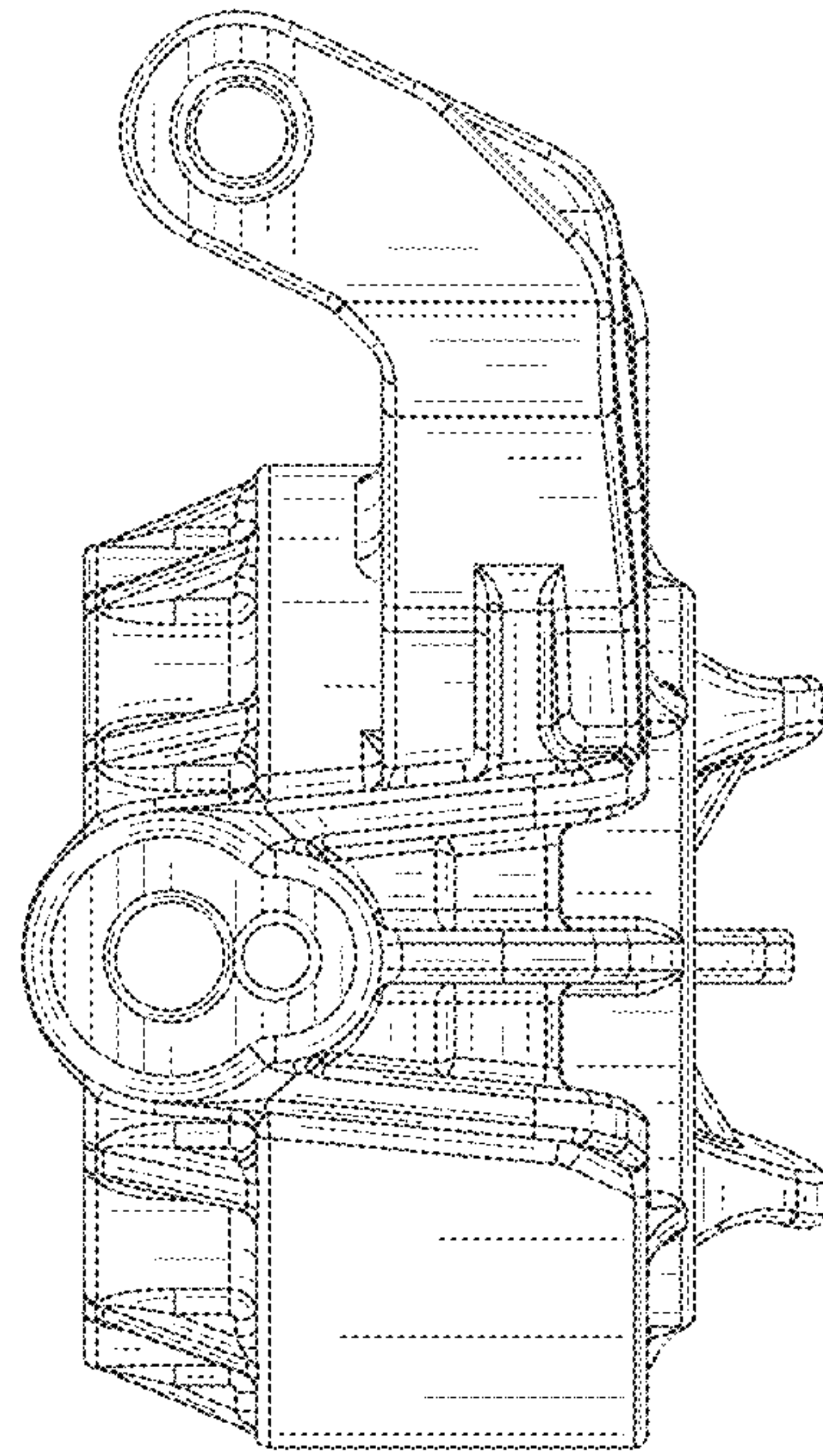




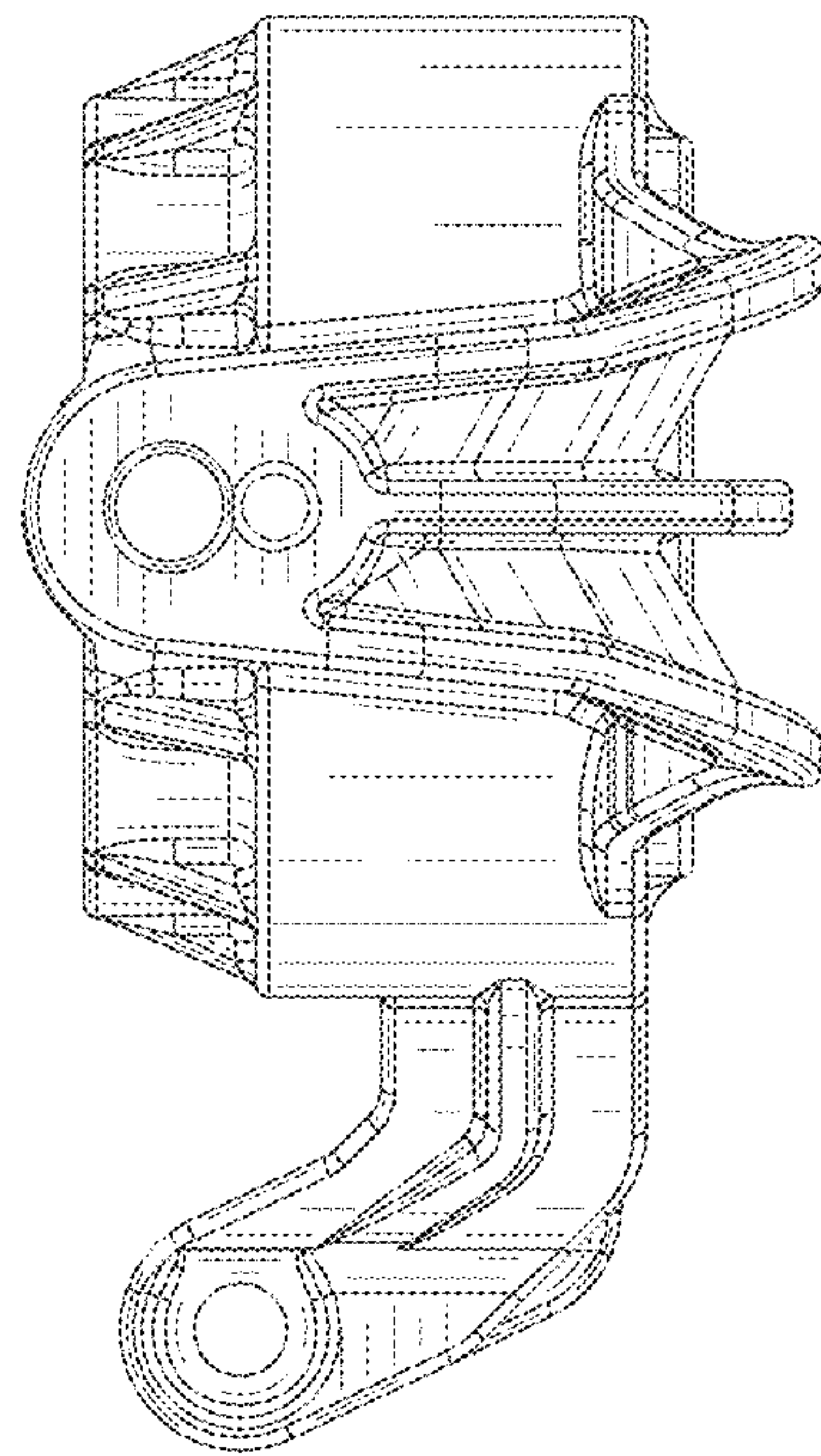
**FIG. 3**



**FIG. 4**



**FIG. 5**



**FIG. 6**

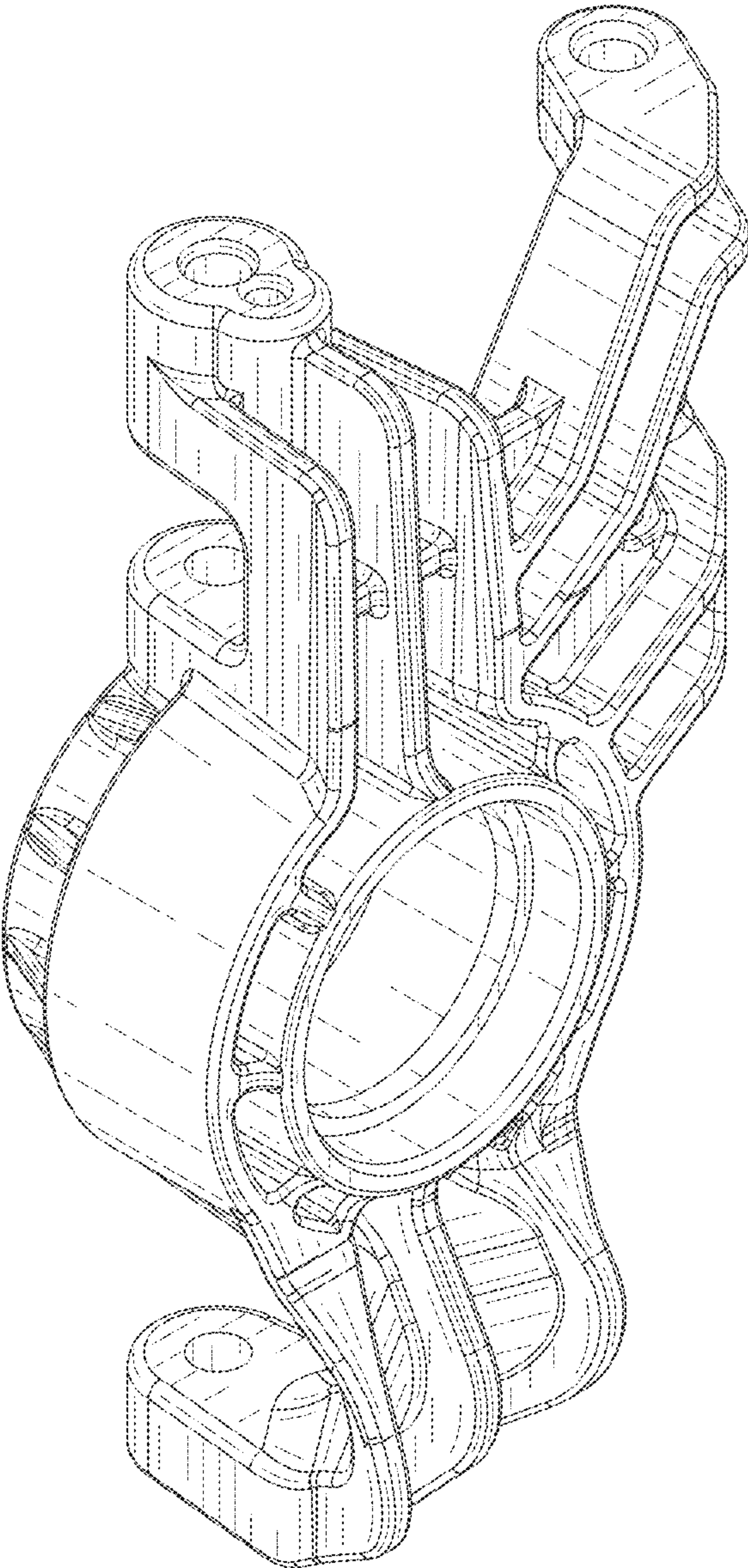


FIG. 7



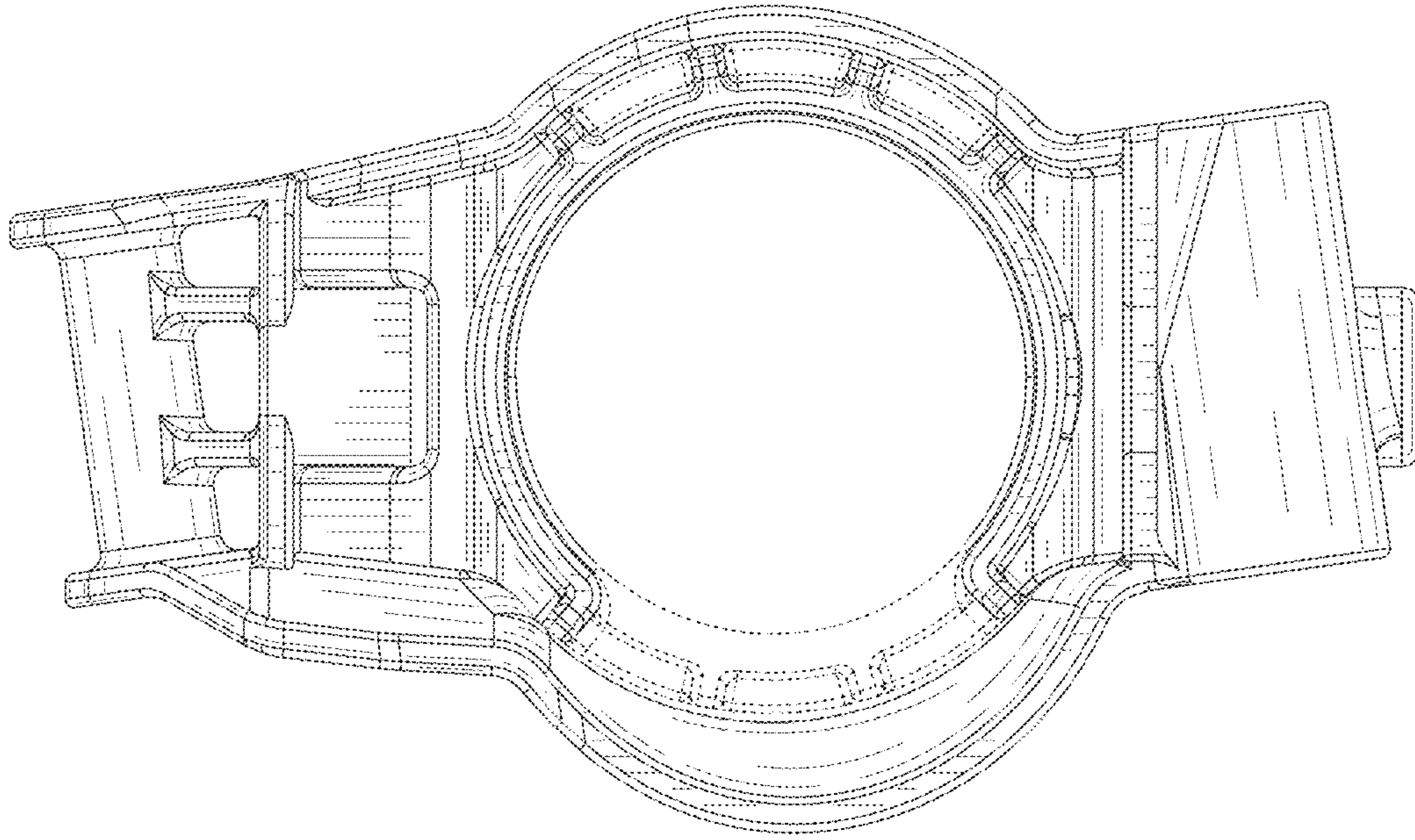


FIG. 9

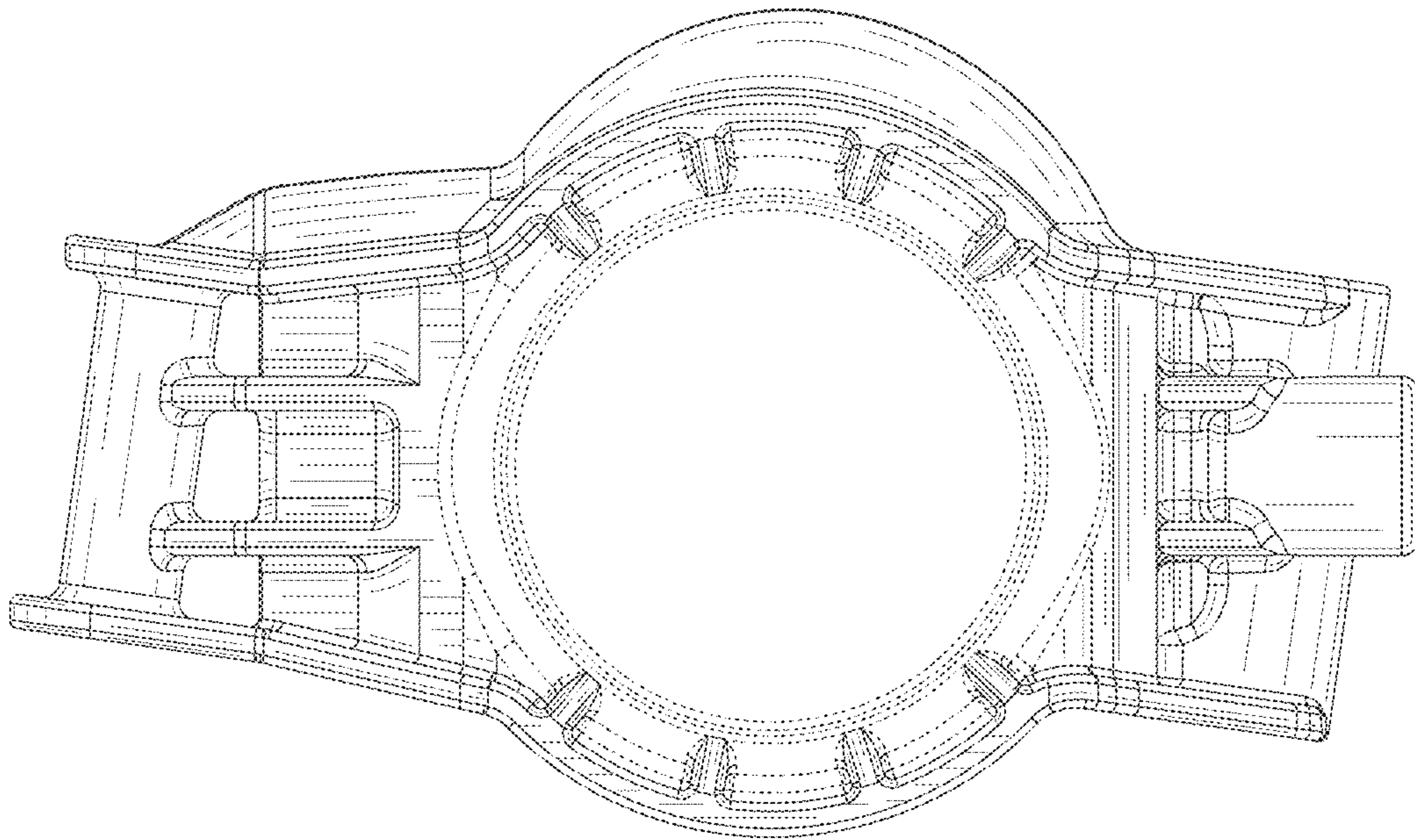
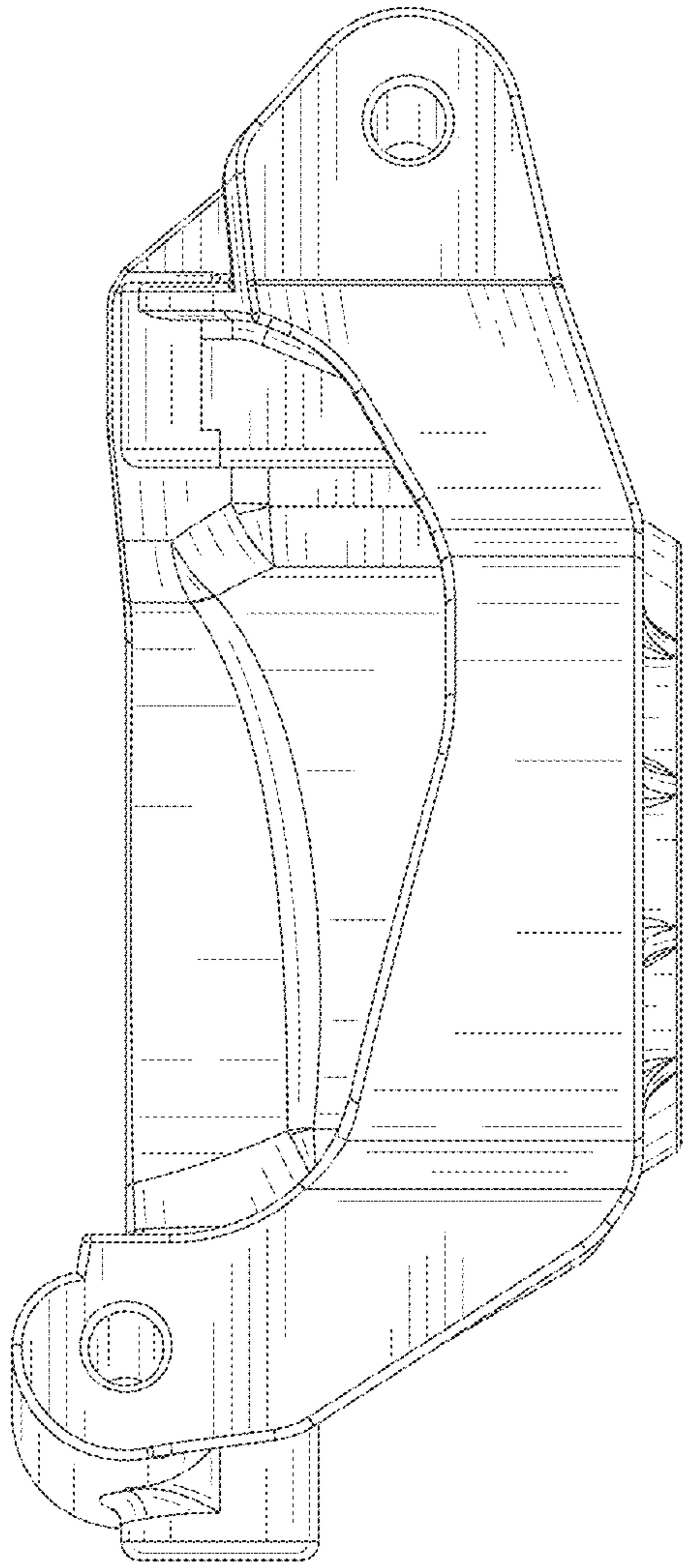
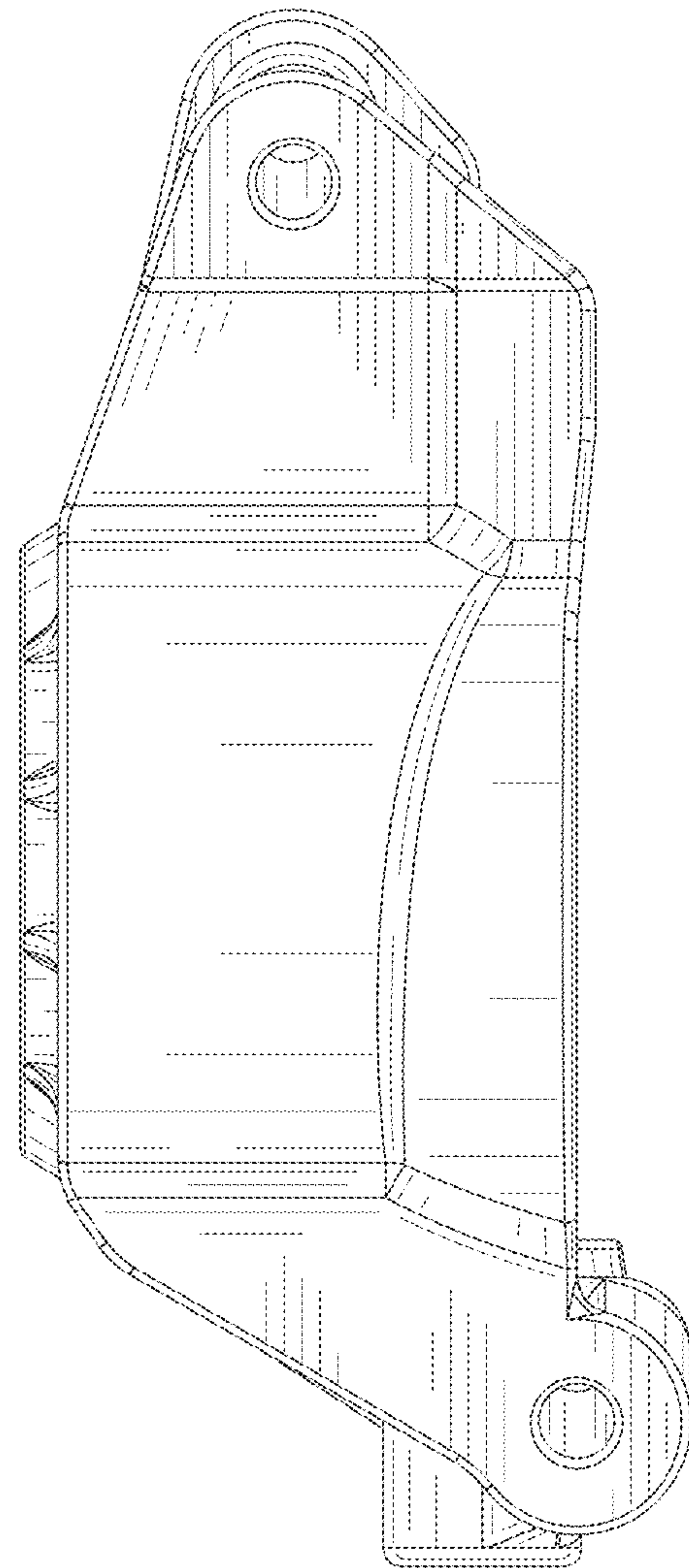


FIG. 8



**FIG. 10**



**FIG. 11**



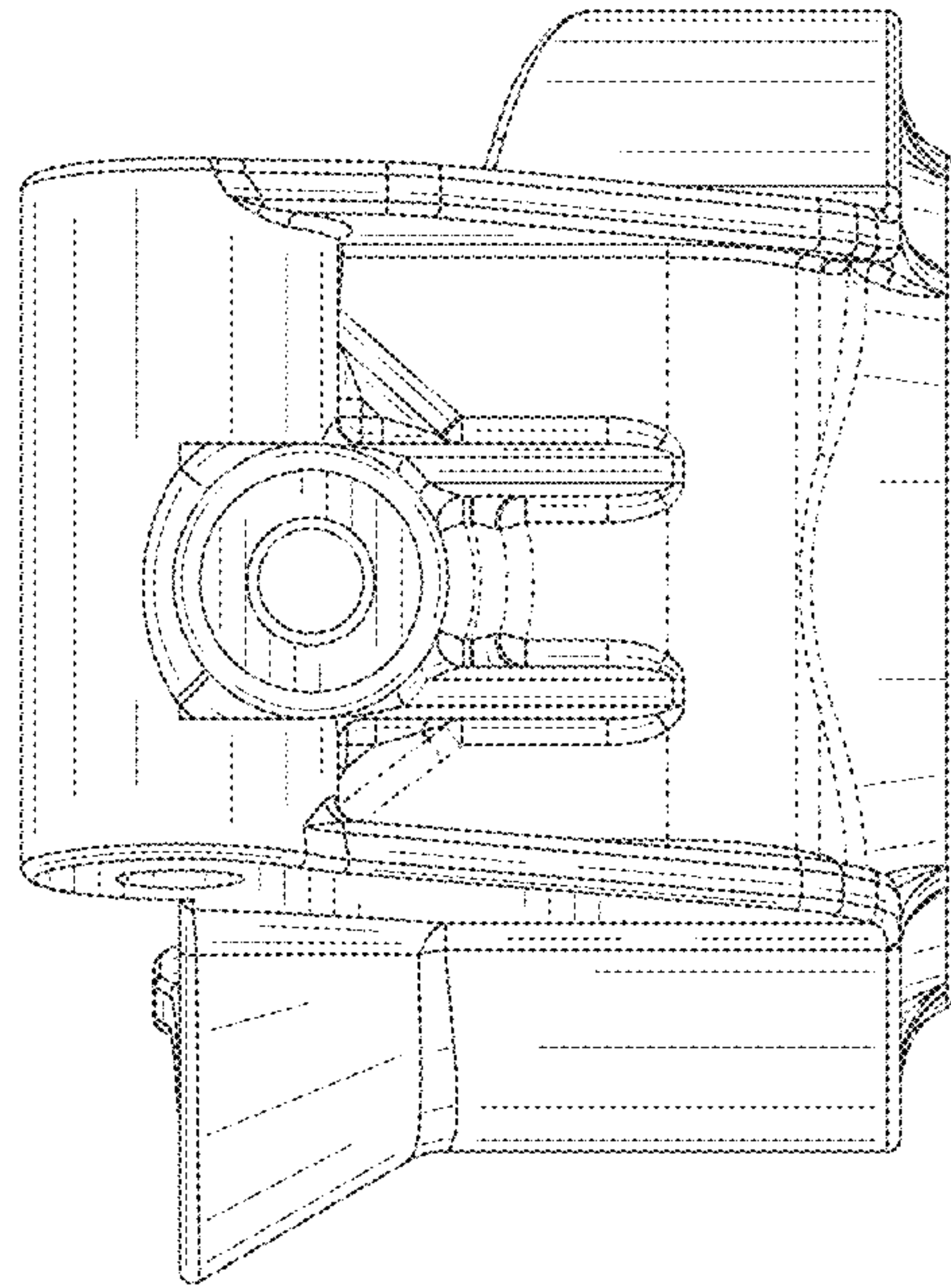


FIG. 12

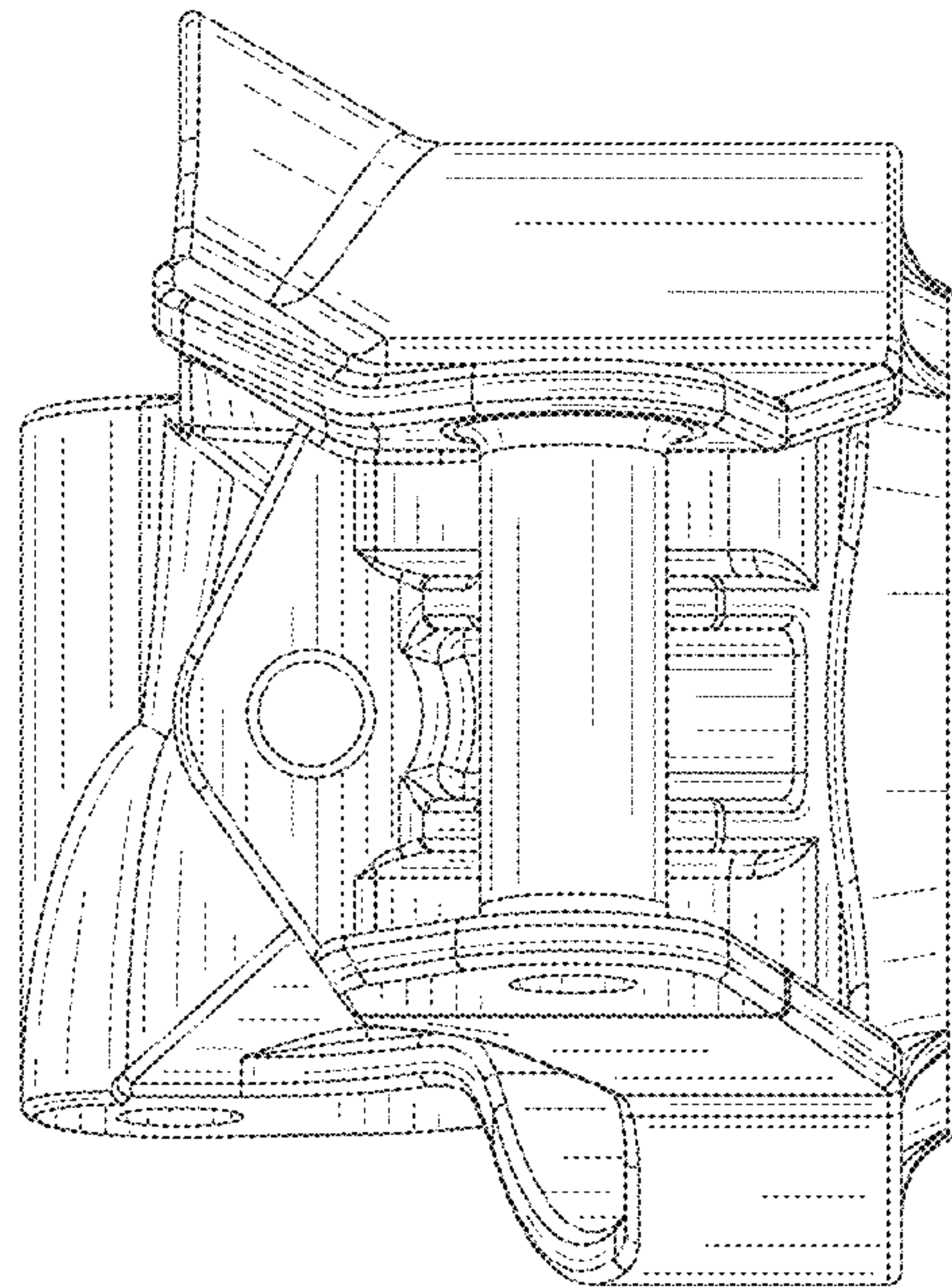
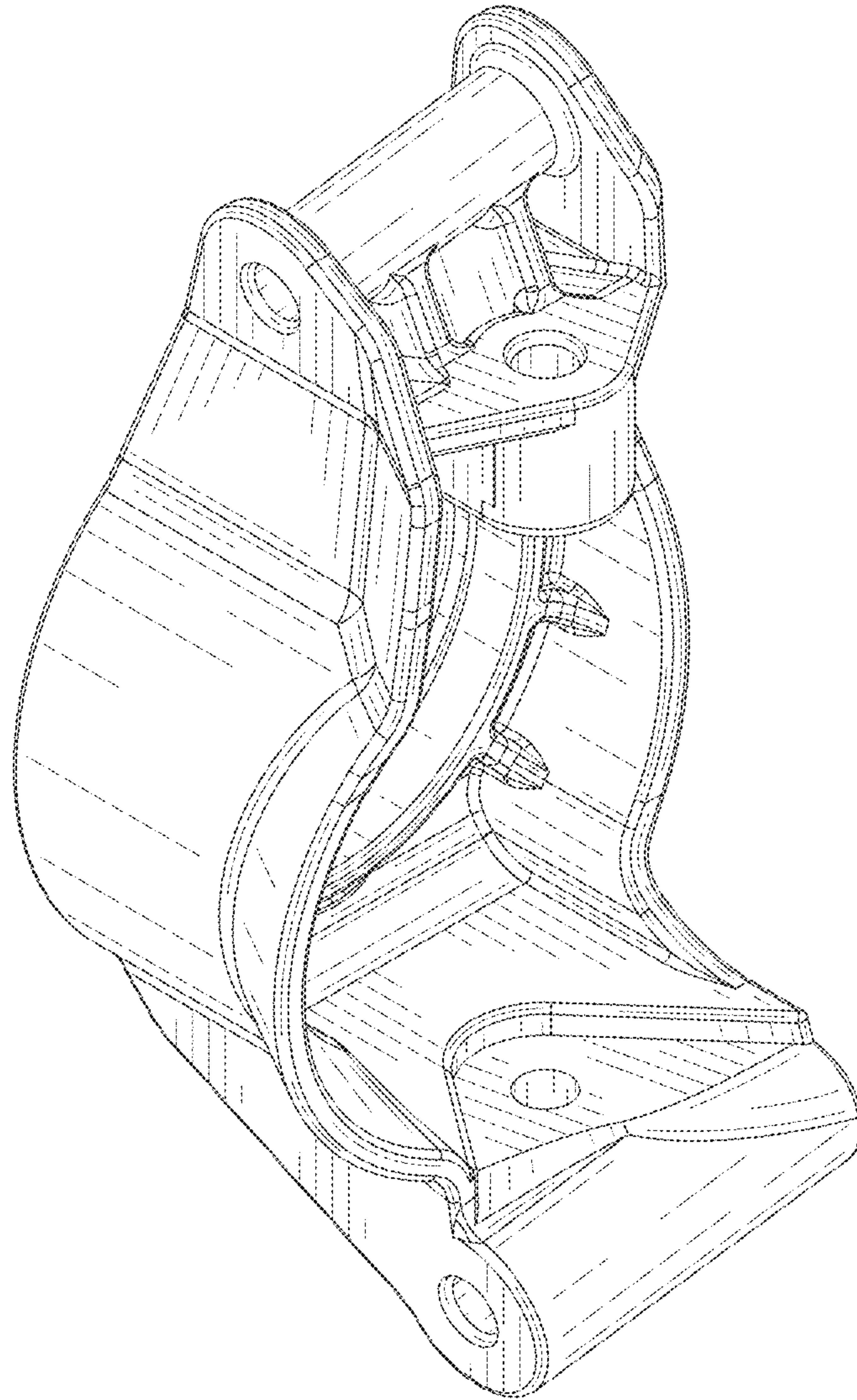


FIG. 13



**FIG. 14**



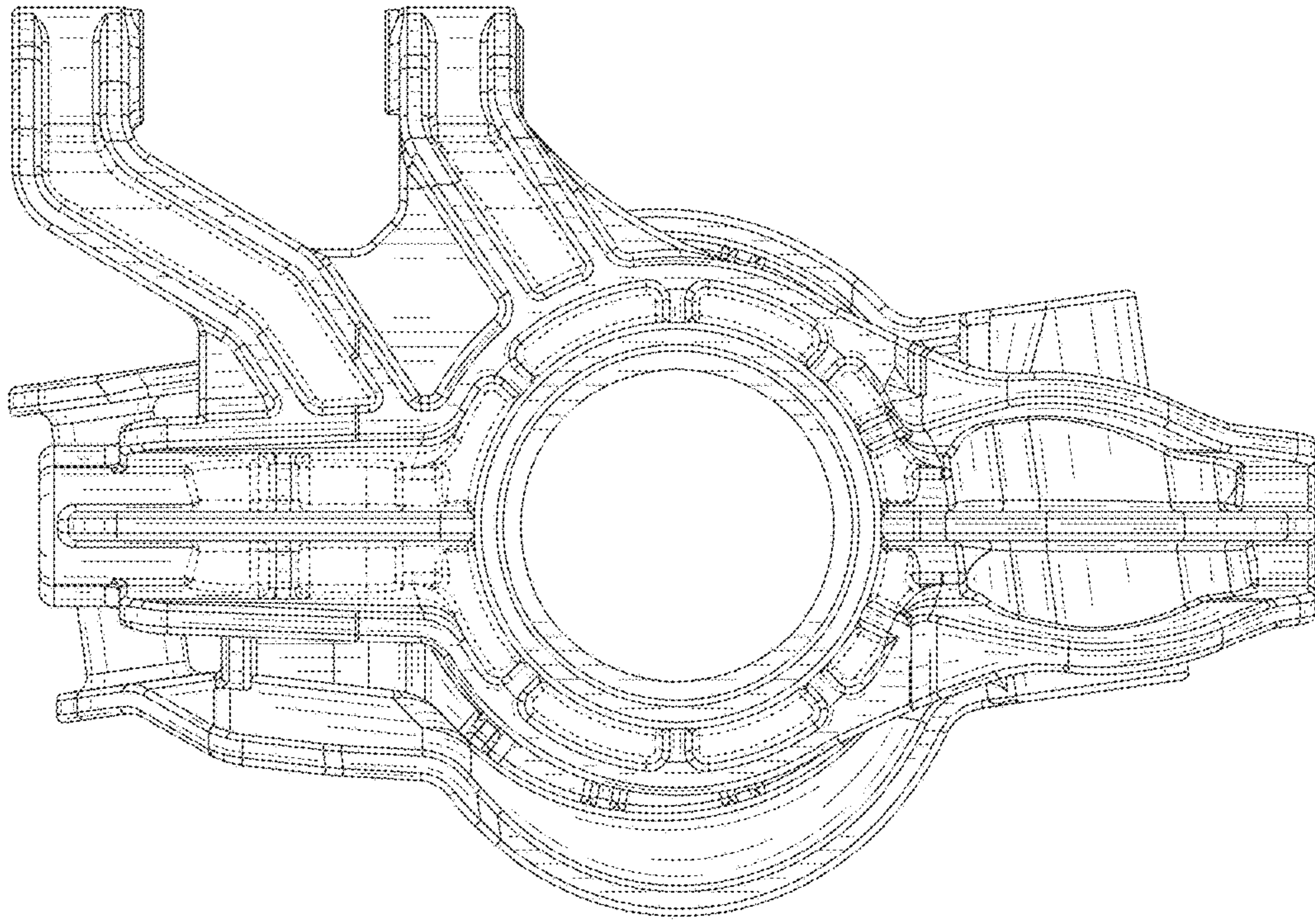


FIG. 16

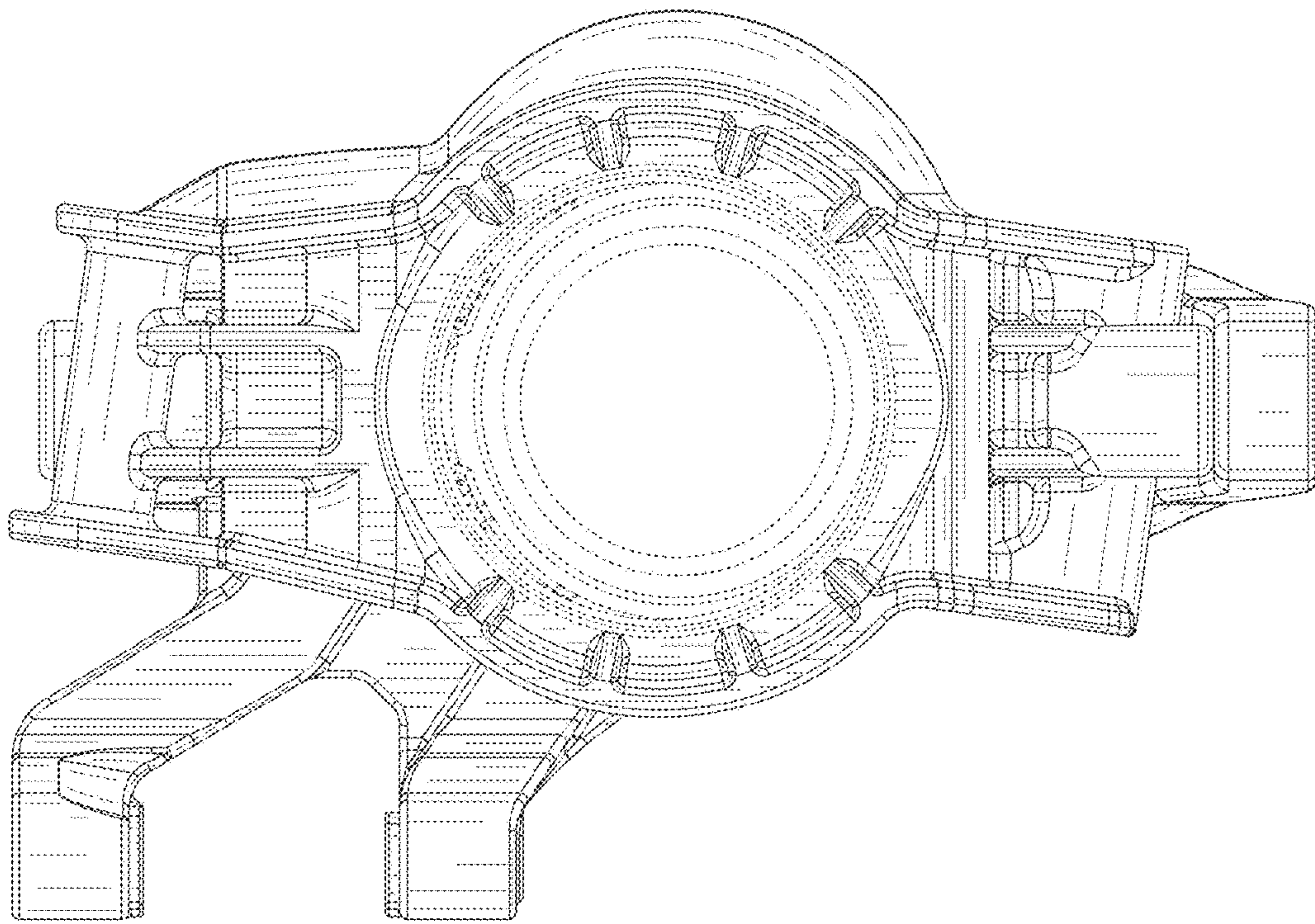


FIG. 15



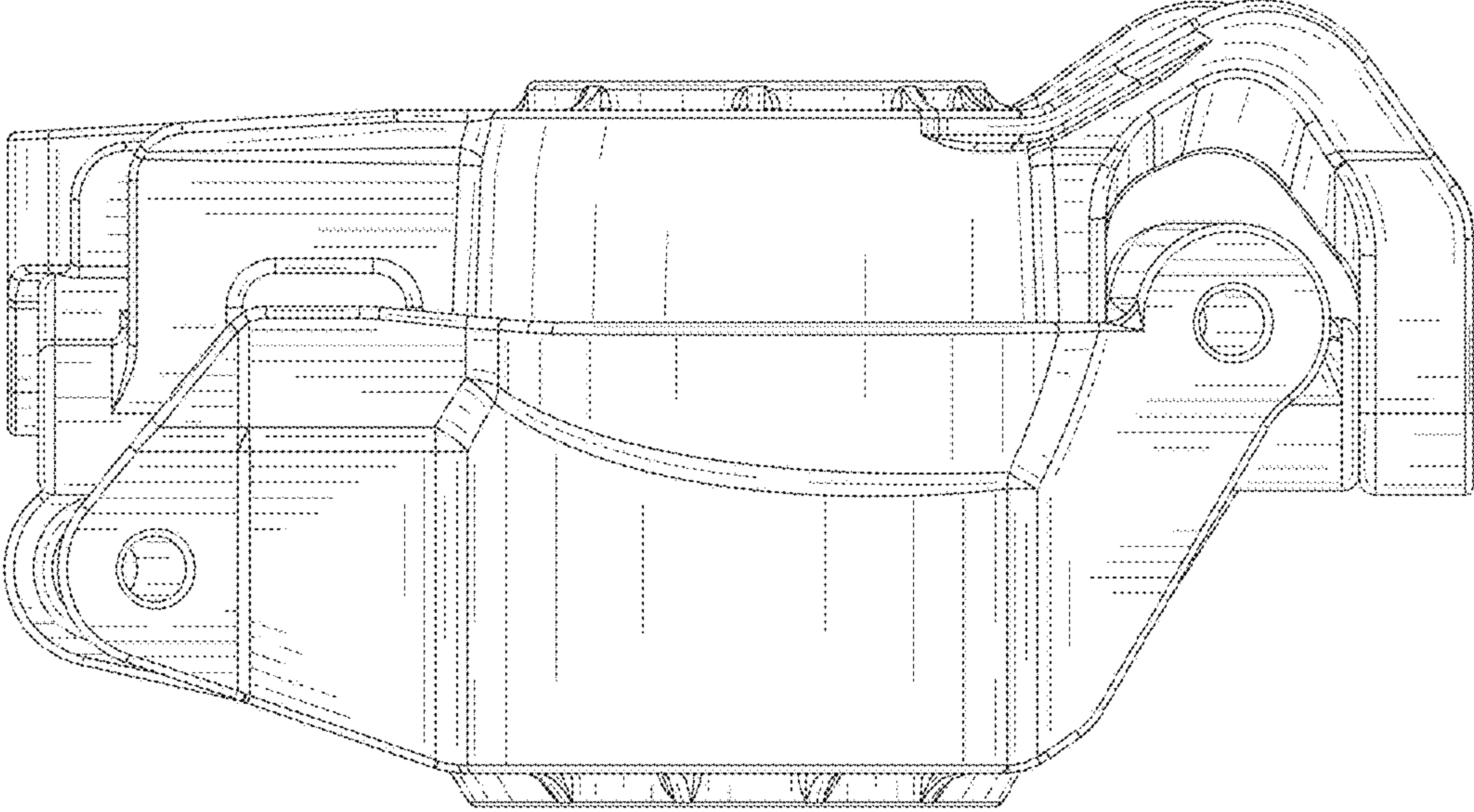


FIG. 18

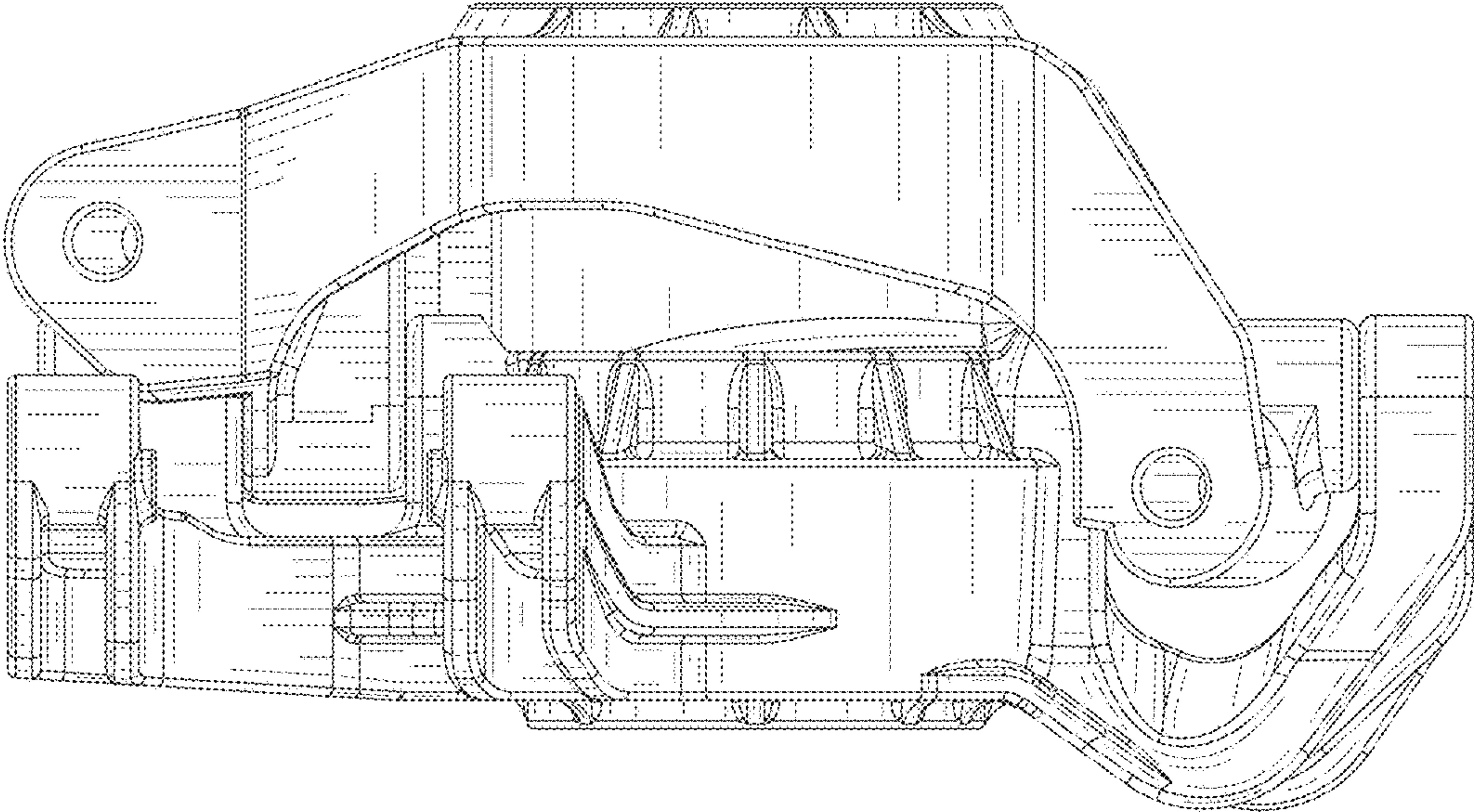


FIG. 17



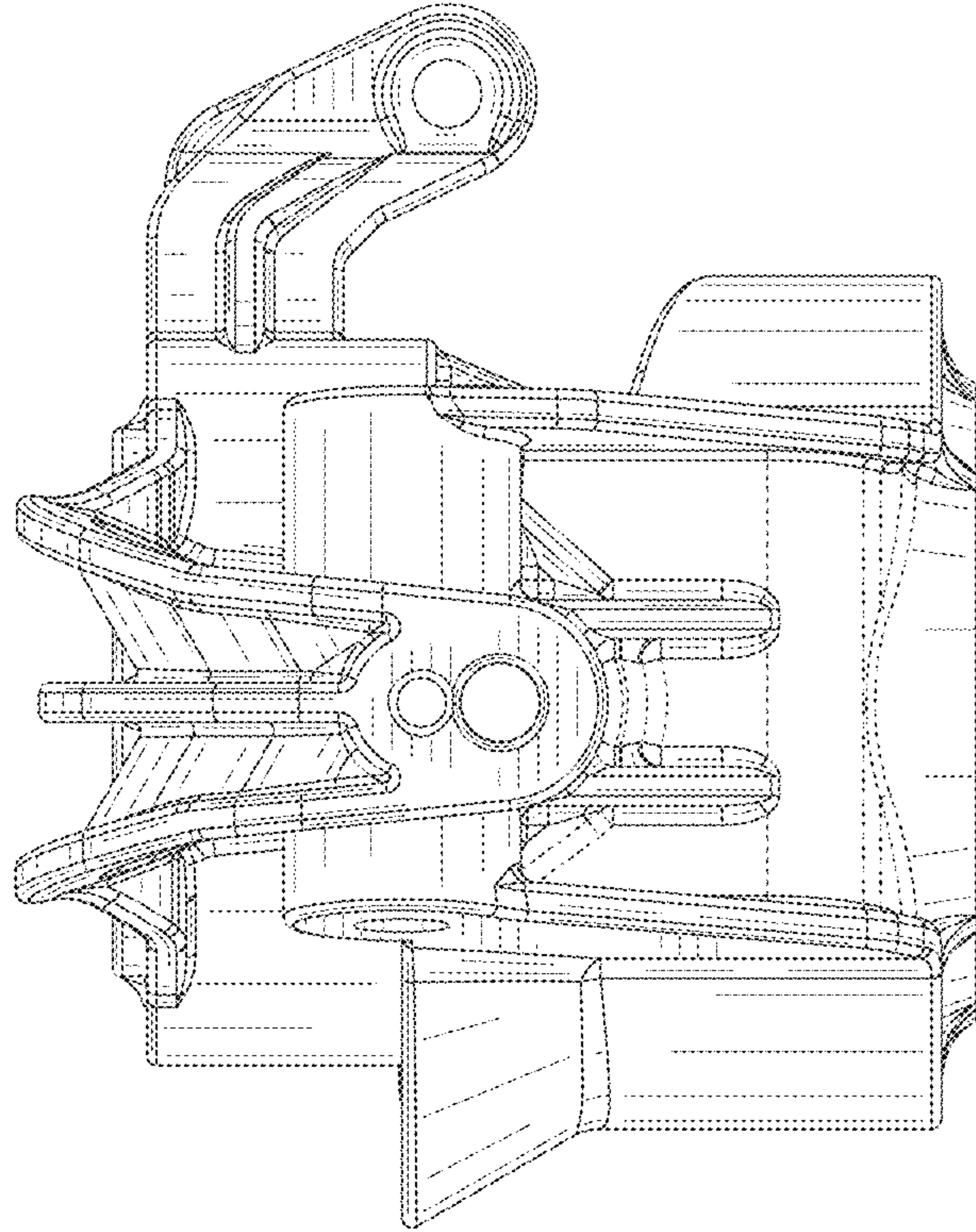


FIG. 20

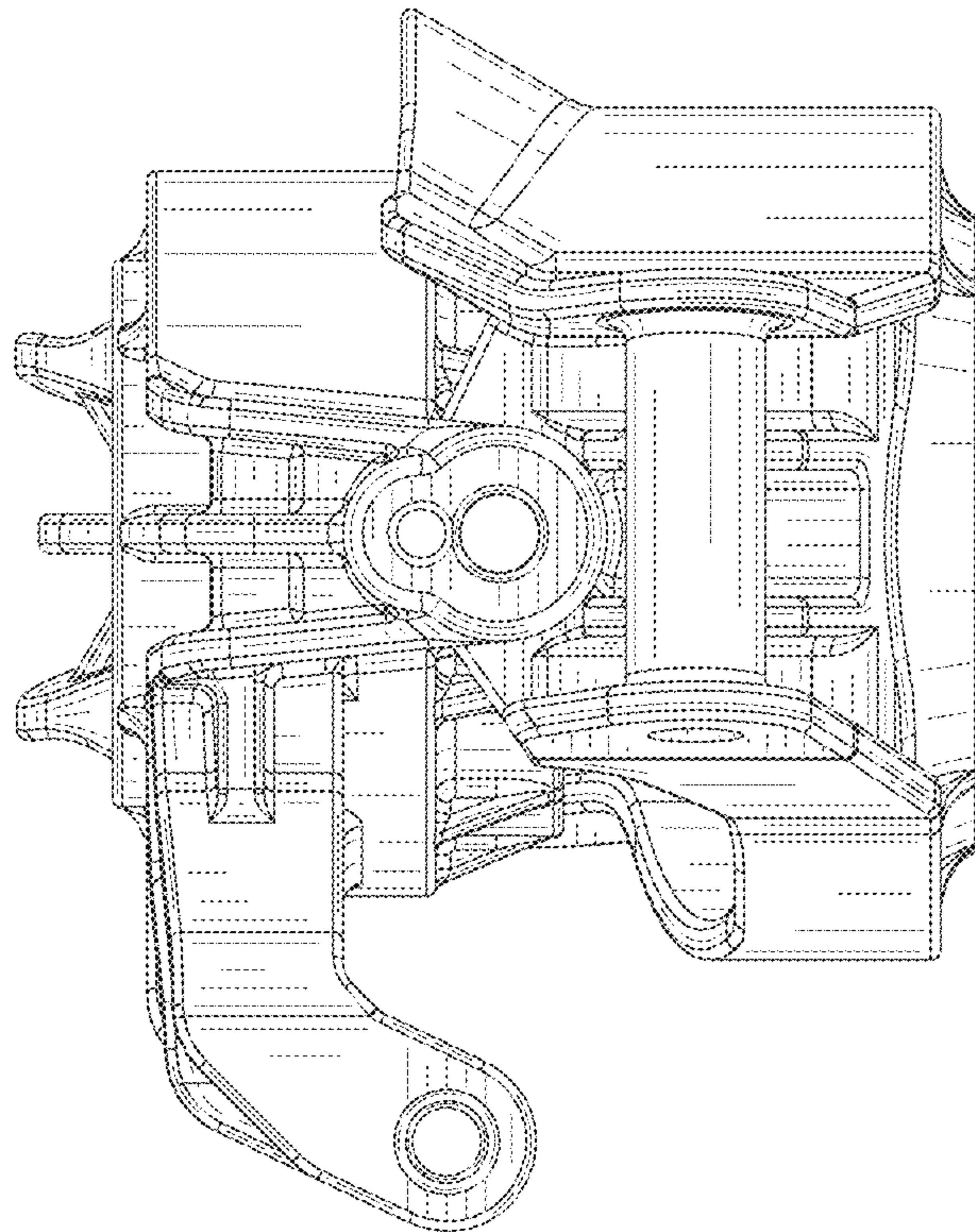
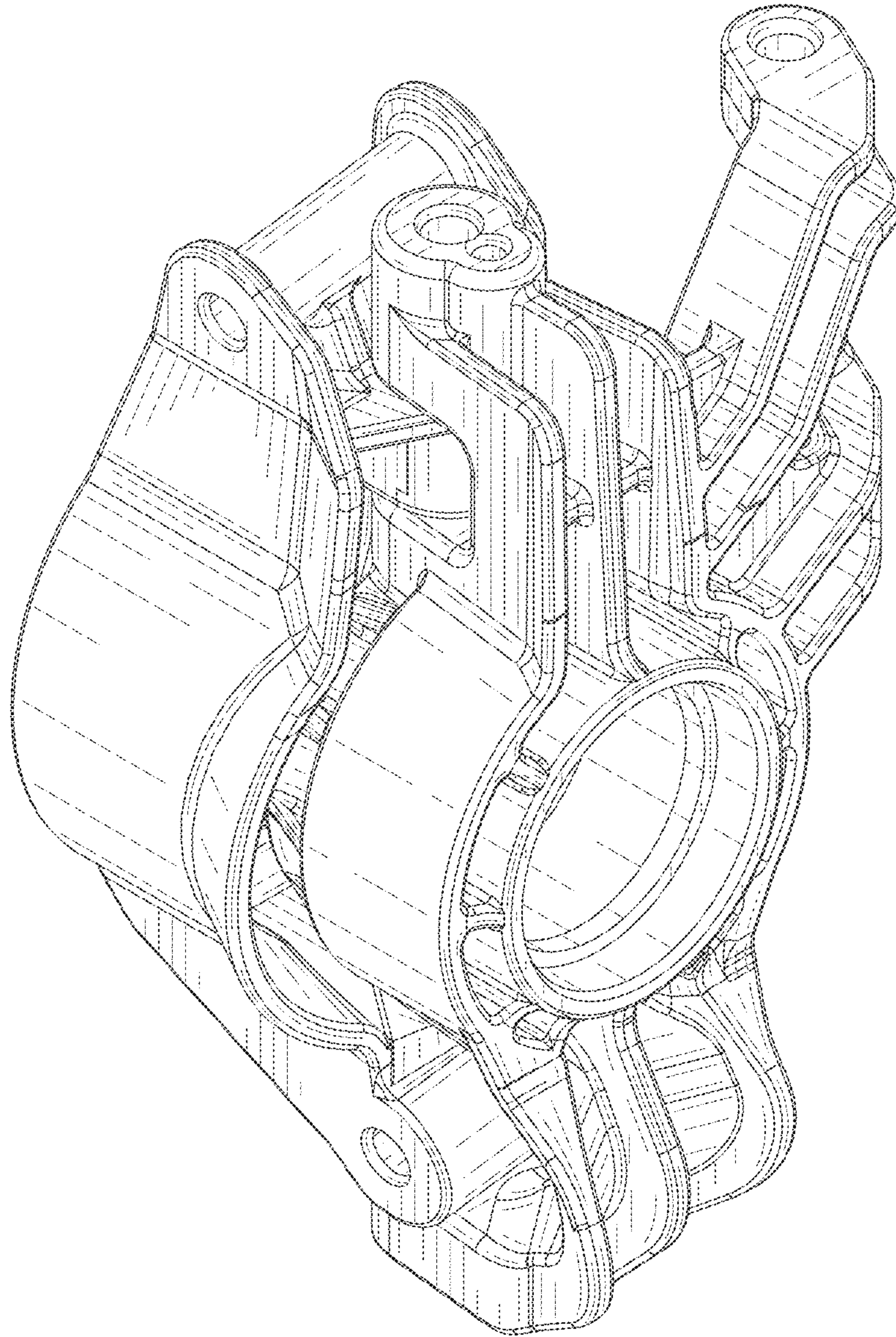


FIG. 19



**FIG. 21**



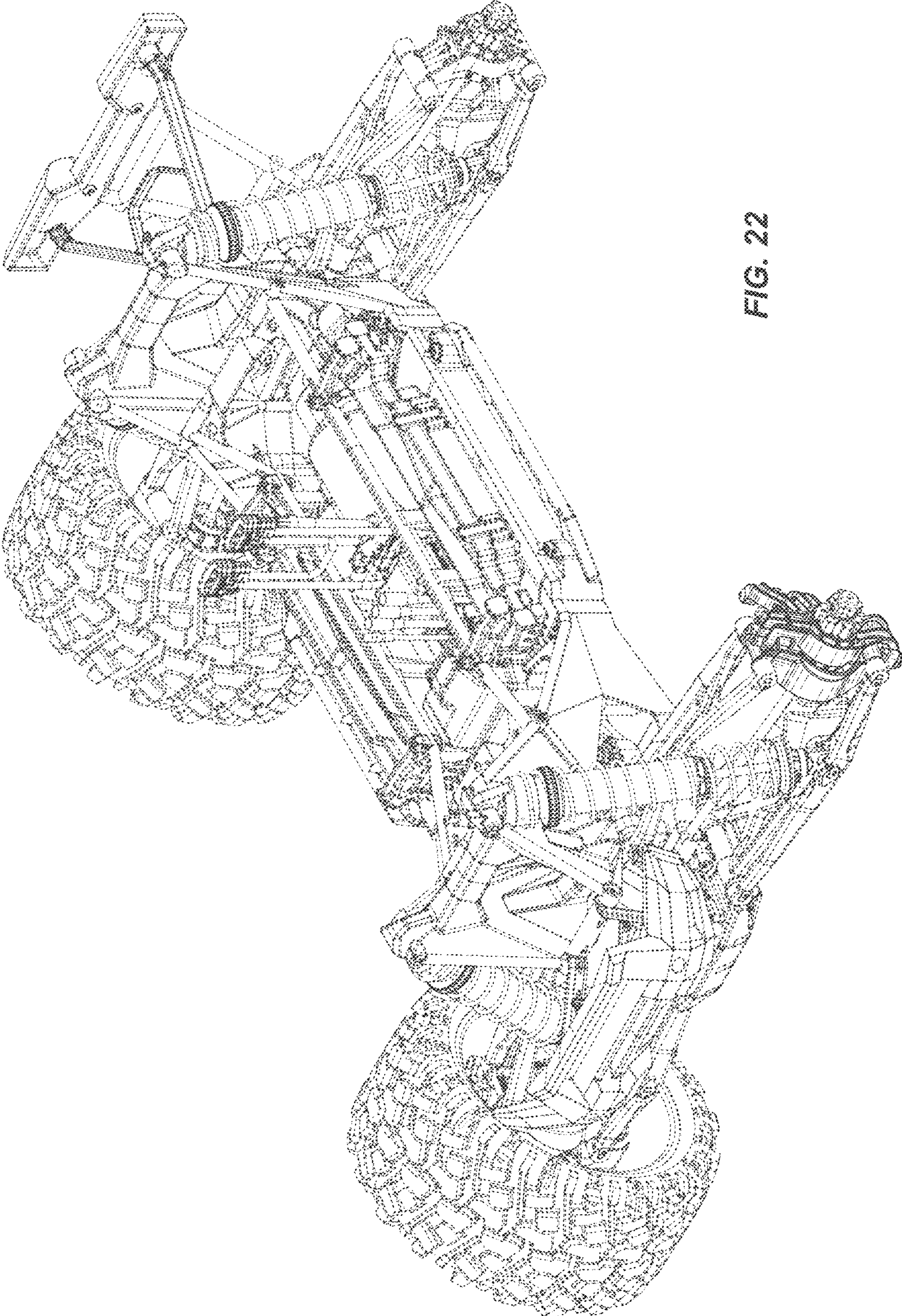


FIG. 22



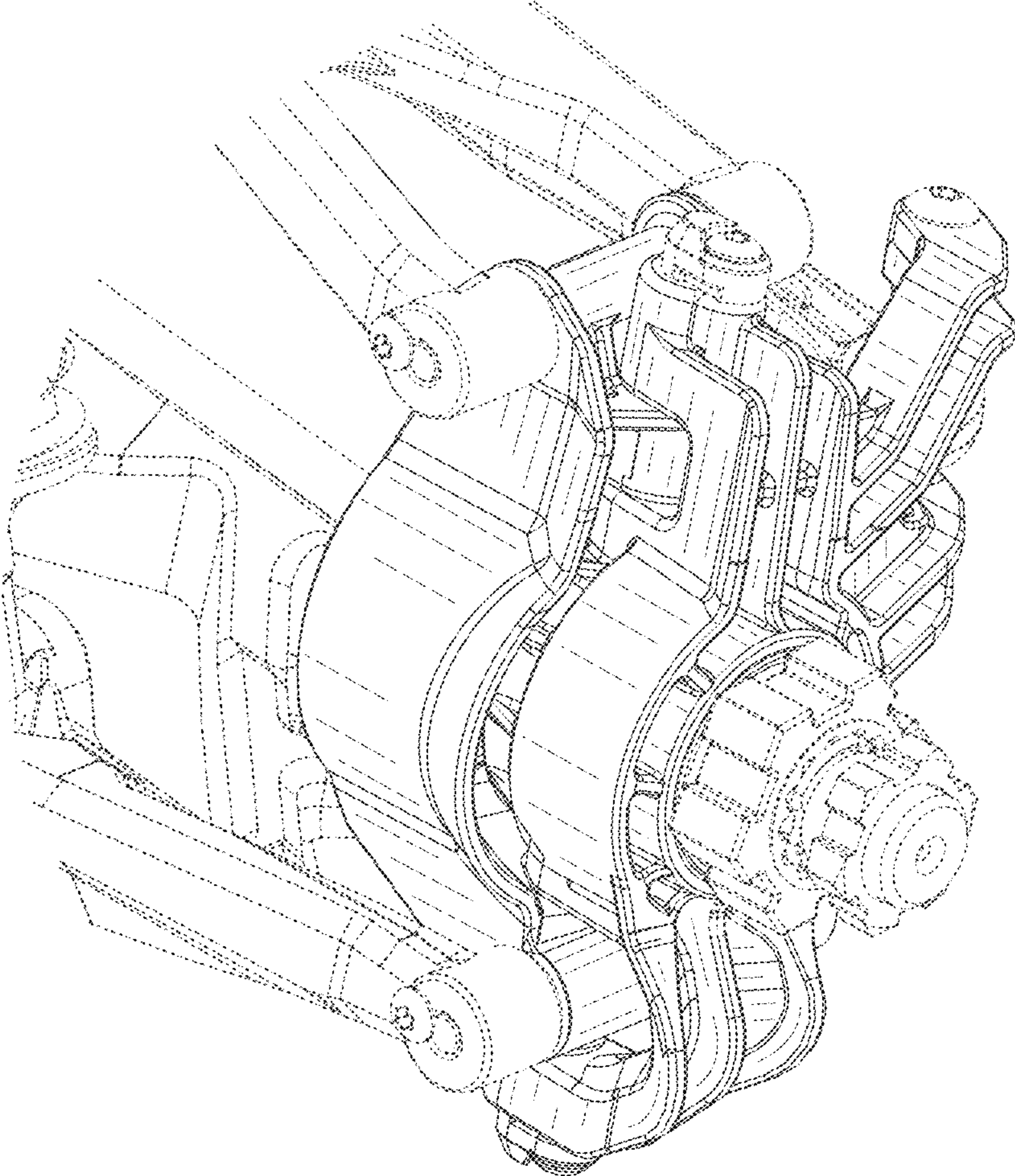


FIG. 23