



US00D822124S

(12) **United States Design Patent** (10) **Patent No.:** **US D822,124 S**  
**Bei et al.** (45) **Date of Patent:** **\*\* Jul. 3, 2018**

(54) **ROBOT VEHICLE**

(56) **References Cited**

(71) Applicant: **SZ DJI Technology Co., Ltd.**,  
Shenzhen (CN)

U.S. PATENT DOCUMENTS

(72) Inventors: **Shi-Meng Bei**, Shenzhen (CN); **Yi-Jun Guan**, Shenzhen (CN); **Bo Liang**,  
Shenzhen (CN); **Ji-Dong Wei**,  
Shenzhen (CN); **Xiao-Long Wu**,  
Shenzhen (CN)

D309,930 S	8/1990	Asaeda	
D317,336 S	6/1991	Tsuchiya	
D377,956 S	2/1997	Chuang	
D379,386 S	5/1997	Chuang	
5,727,985 A	3/1998	George et al.	
D408,471 S	4/1999	Smolarczyk	
D508,963 S	8/2005	Discoe et al.	
D538,861 S	3/2007	Takahashi	
7,234,992 B2	6/2007	Weiss et al.	
D577,083 S	9/2008	Nakayama	
D593,616 S	6/2009	Asai	
9,352,242 B2 *	5/2016	Rehkemper .....	A63H 30/04
9,375,648 B2	6/2016	Hippely et al.	
D762,269 S	7/2016	Lee	
D792,524 S *	7/2017	Lee .....	D21/533
9,931,580 B2 *	4/2018	Rehkemper .....	A63H 30/04

(73) Assignee: **SZ DJI Technology Co., Ltd.**,  
Shenzhen (CN)

(\*\*) Term: **15 Years**

(21) Appl. No.: **29/618,631**

(22) Filed: **Sep. 22, 2017**

(Continued)

*Primary Examiner* — Cynthia M Chin  
(74) *Attorney, Agent, or Firm* — Sterne, Kessler,  
Goldstein & Fox P.L.L.C.

**Related U.S. Application Data**

(63) Continuation of application No. 29/525,048, filed on  
Apr. 27, 2015, now Pat. No. Des. 803,765.

(51) **LOC (11) Cl.** ..... **21-01**

(52) **U.S. Cl.**  
USPC ..... **D21/533; D21/557**

(58) **Field of Classification Search**  
USPC ..... D21/398, 533, 548, 549, 550, 551, 552,  
D21/557, 560, 561, 562, 580, 581;  
446/154, 164, 231, 233, 236–242, 265,  
446/266, 273, 437, 462, 465, 470  
CPC .... A63H 17/004; A63H 17/26; A63H 17/262;  
A63H 17/264; A63H 17/266; A63H  
17/36; A63H 17/38; A63H 29/00; A63H  
29/16; A63H 29/165; A63H 29/22; A63H  
29/24; A63H 30/04

See application file for complete search history.

(57) **CLAIM**

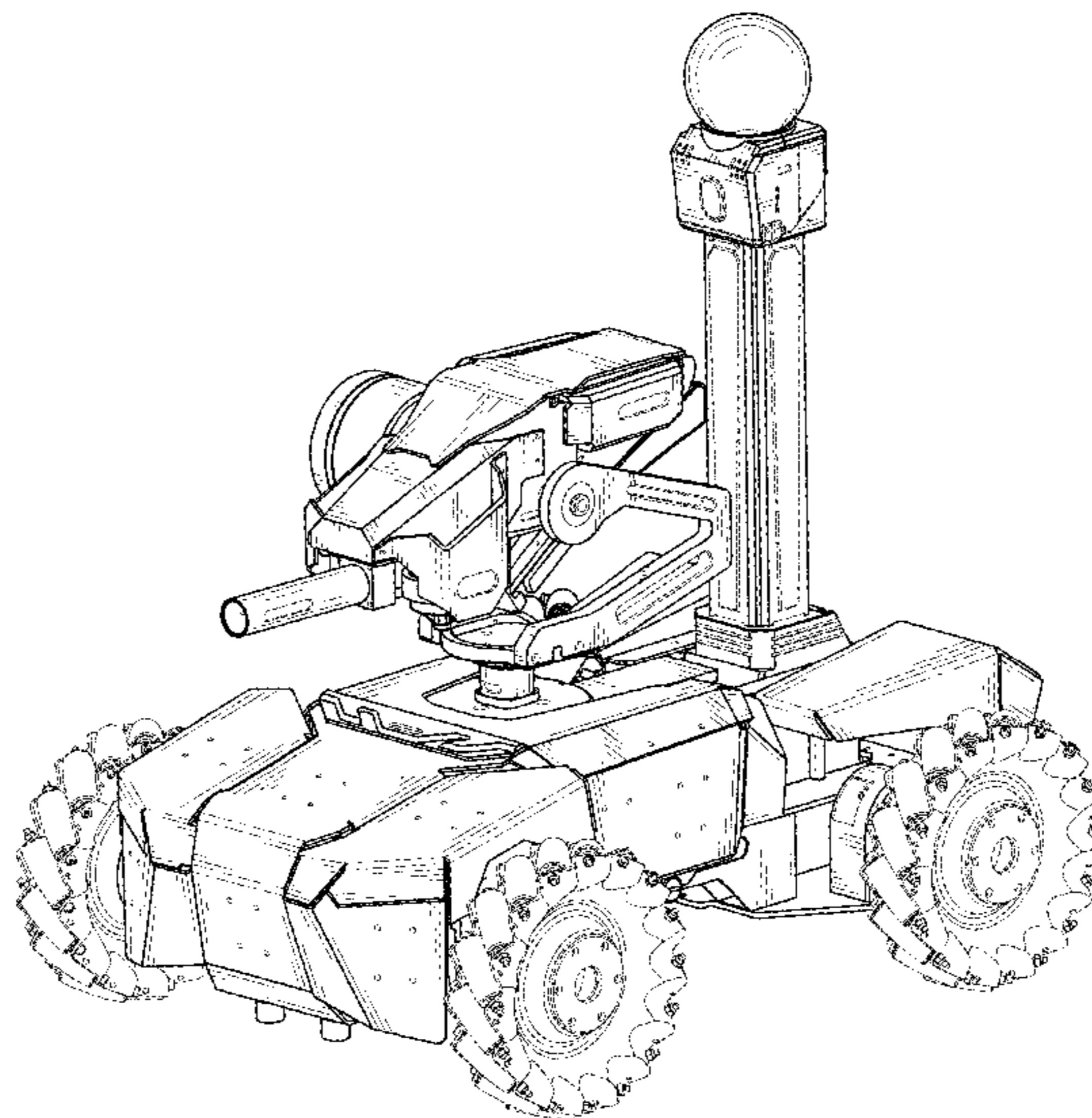
The ornamental design for a robot vehicle, as shown and  
described.

**DESCRIPTION**

FIG. 1 is a front perspective view of a robot vehicle showing  
the claimed design;  
FIG. 2 is a front view thereof;  
FIG. 3 is a rear view thereof;  
FIG. 4 is a left side view thereof;  
FIG. 5 is a right side view thereof;  
FIG. 6 is a top view thereof; and,  
FIG. 7 is a bottom view thereof.

The dashed broken lines in the figures show portions of the  
robot vehicle that form no part of the claimed design. The  
dot-dash broken lines in the figures and the areas within the  
dot-dash broken lines show portions of the robot vehicle that  
form no part of the claimed design.

**1 Claim, 7 Drawing Sheets**



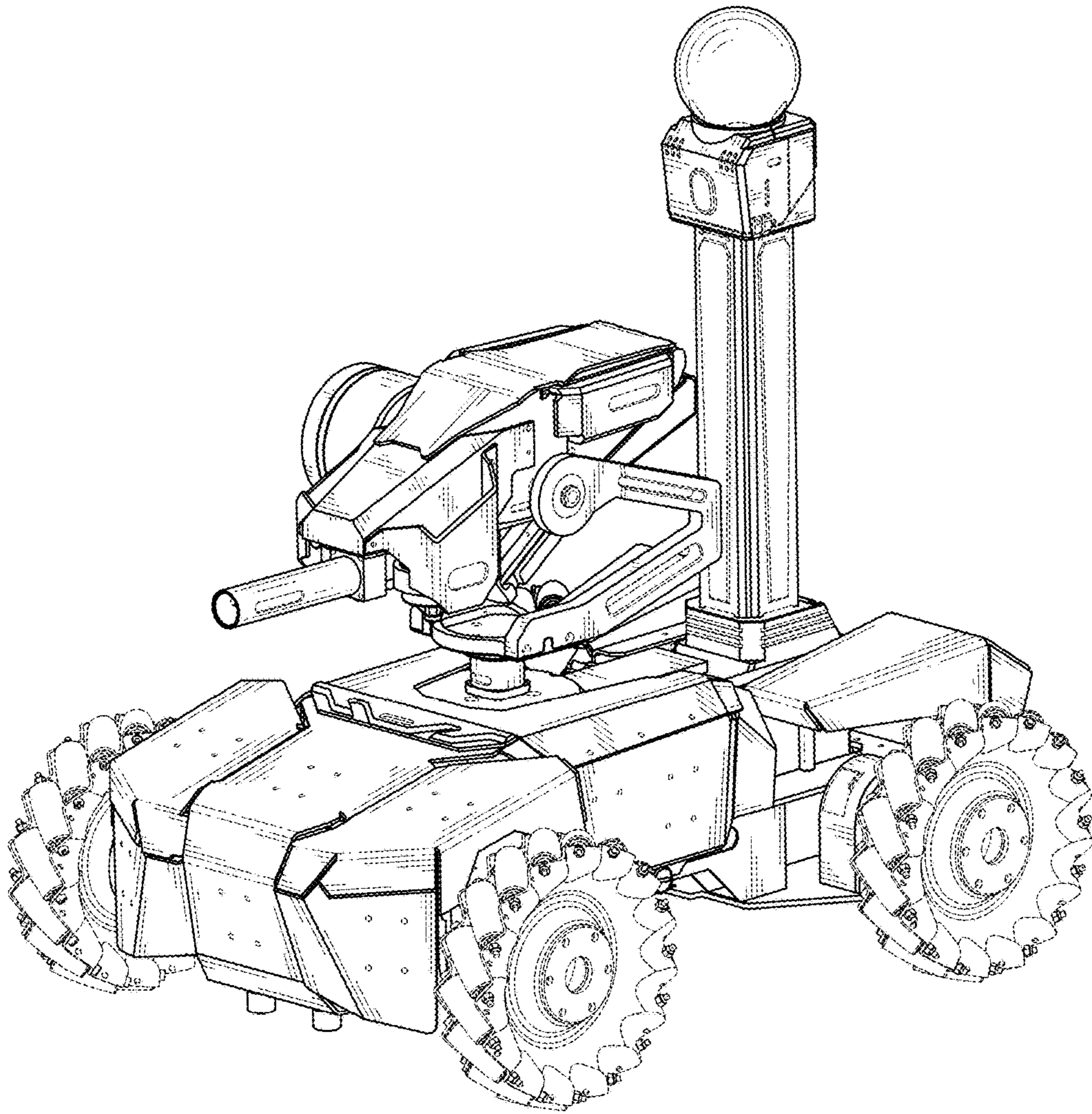
(56)

**References Cited**

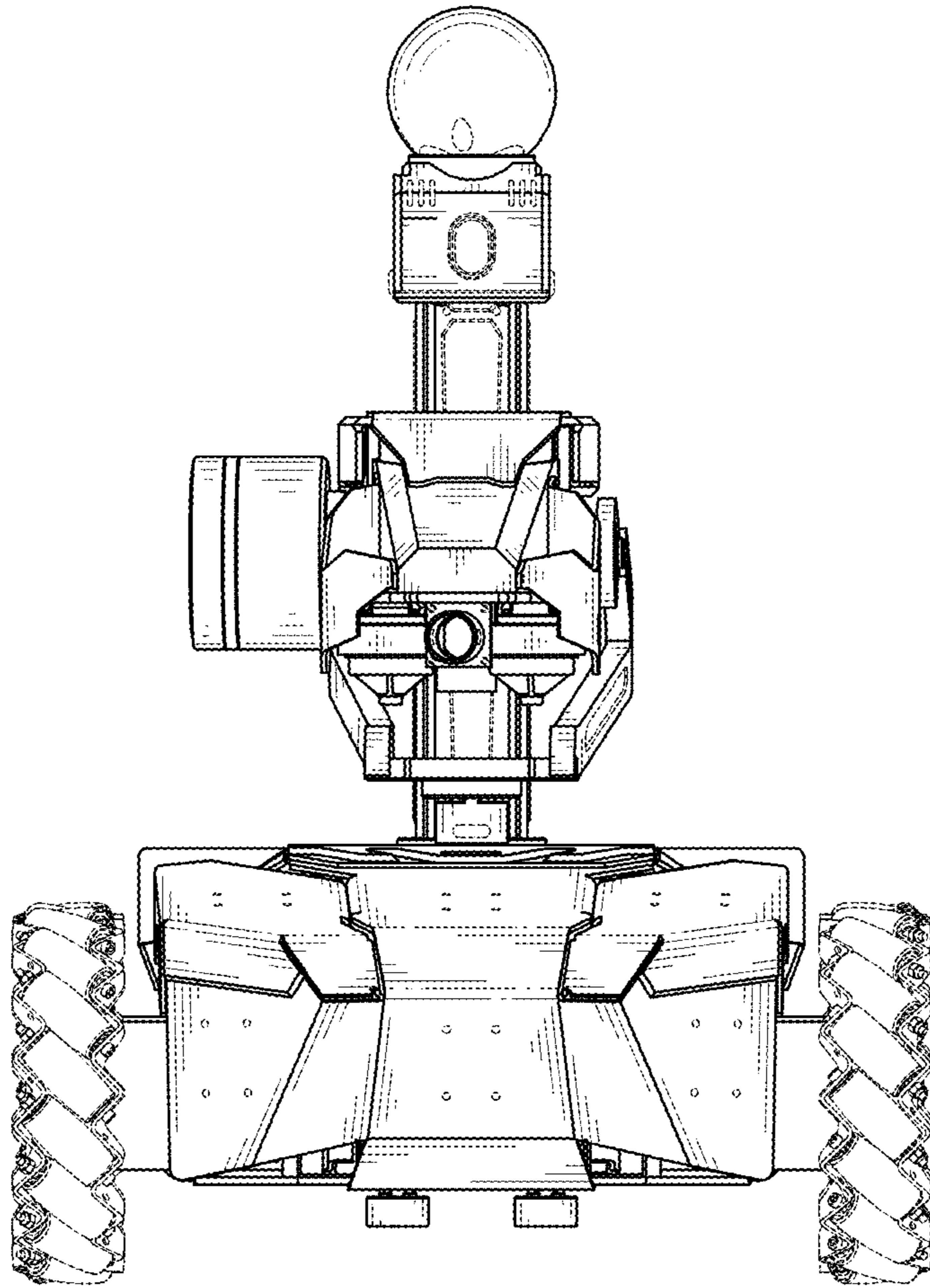
U.S. PATENT DOCUMENTS

2006/0292966 A1\* 12/2006 Byers ..... A63H 17/262  
446/431  
2007/0259599 A1\* 11/2007 Swisher ..... A63H 17/02  
446/427  
2012/0322341 A1\* 12/2012 Benedict ..... A63H 17/004  
446/437

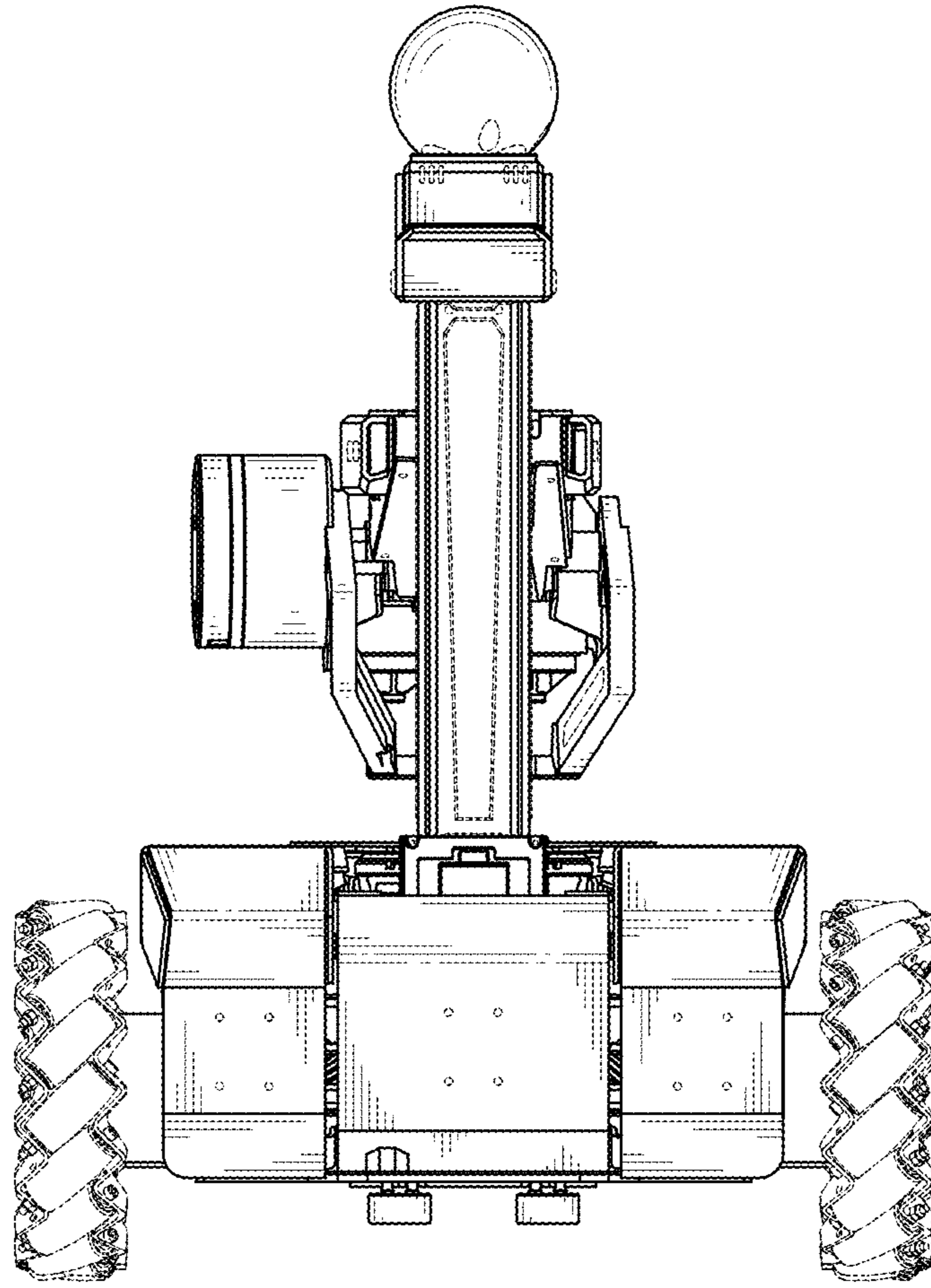
\* cited by examiner



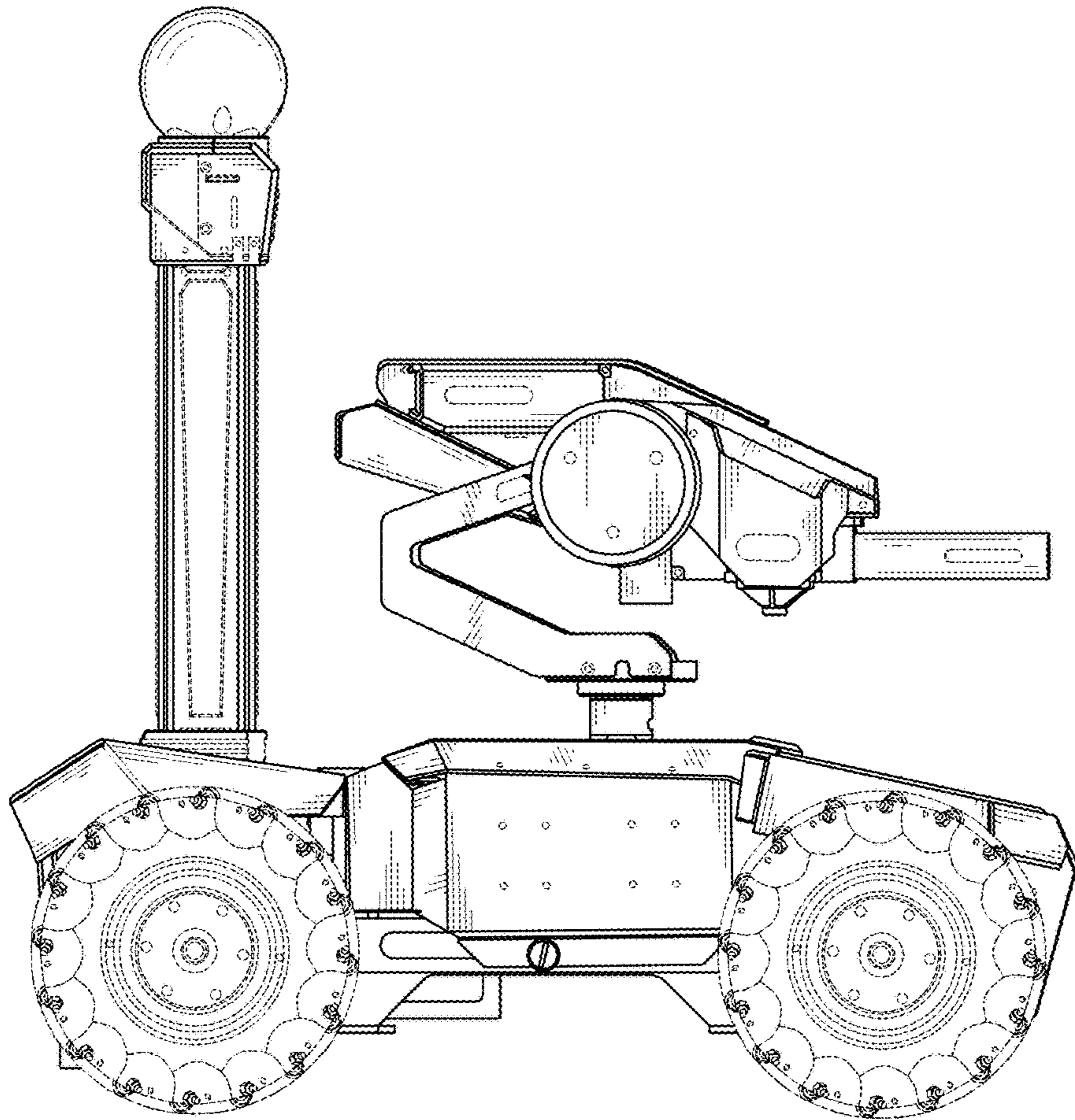
**FIG. 1**



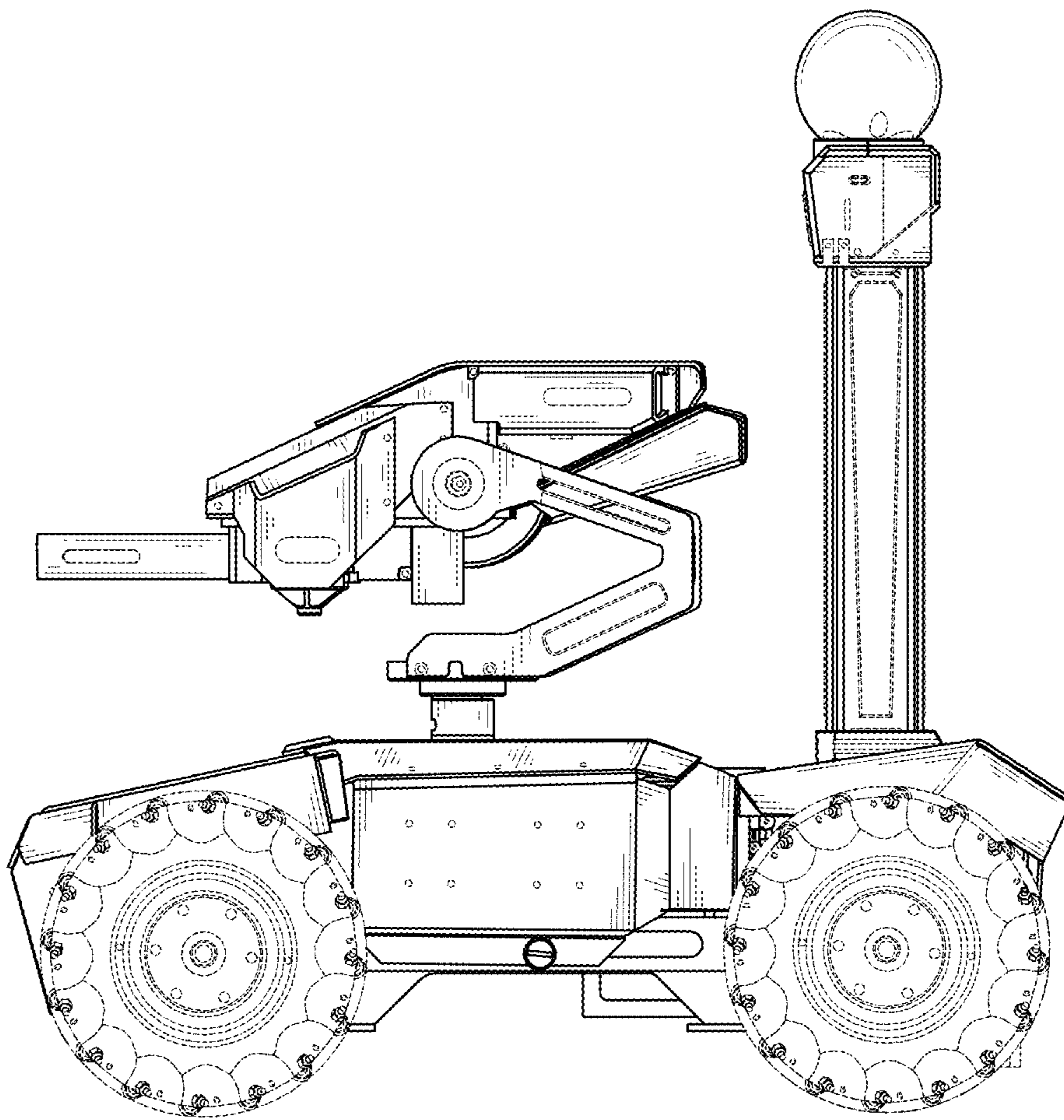
**FIG. 2**



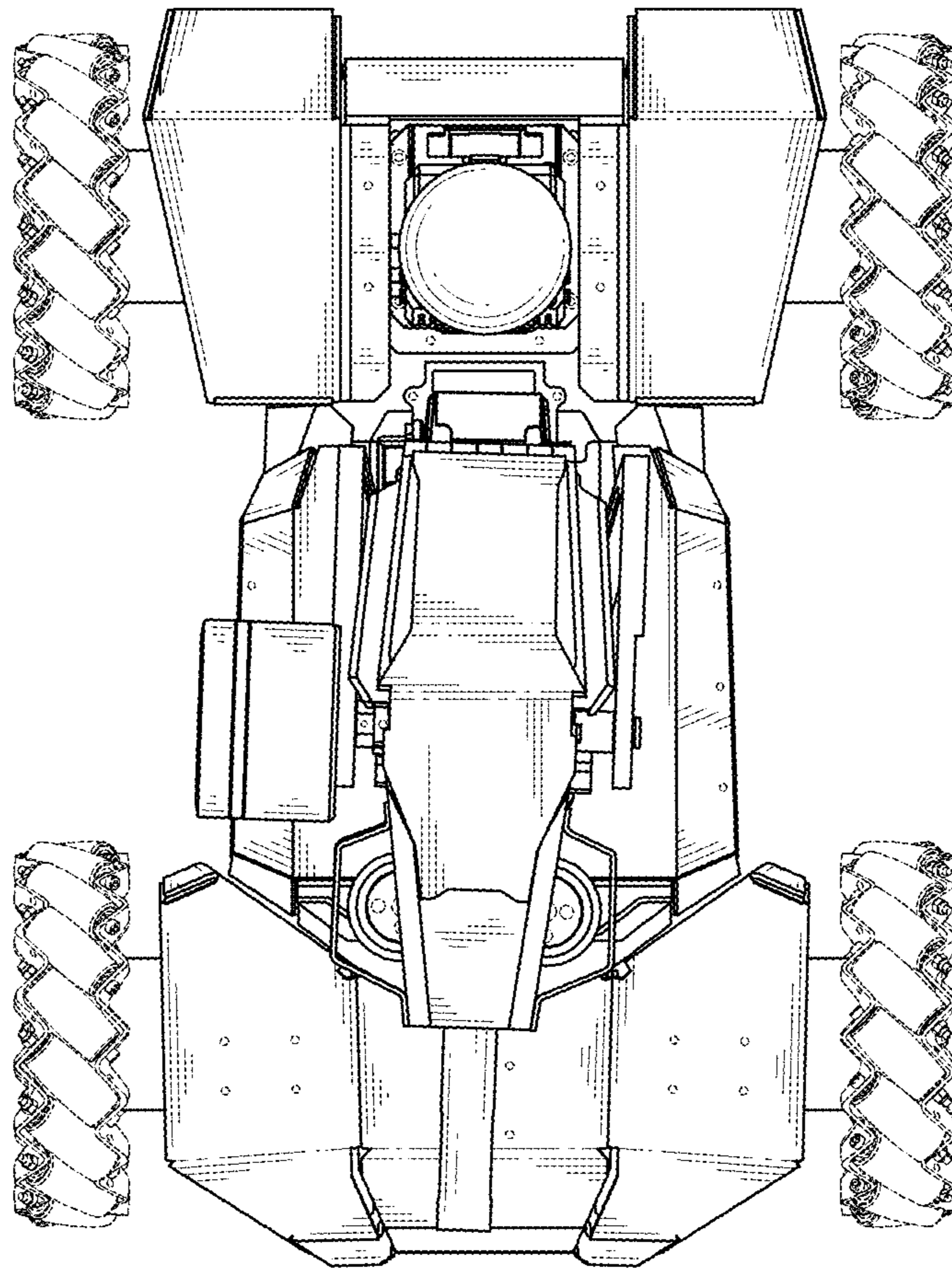
**FIG. 3**



**FIG. 4**

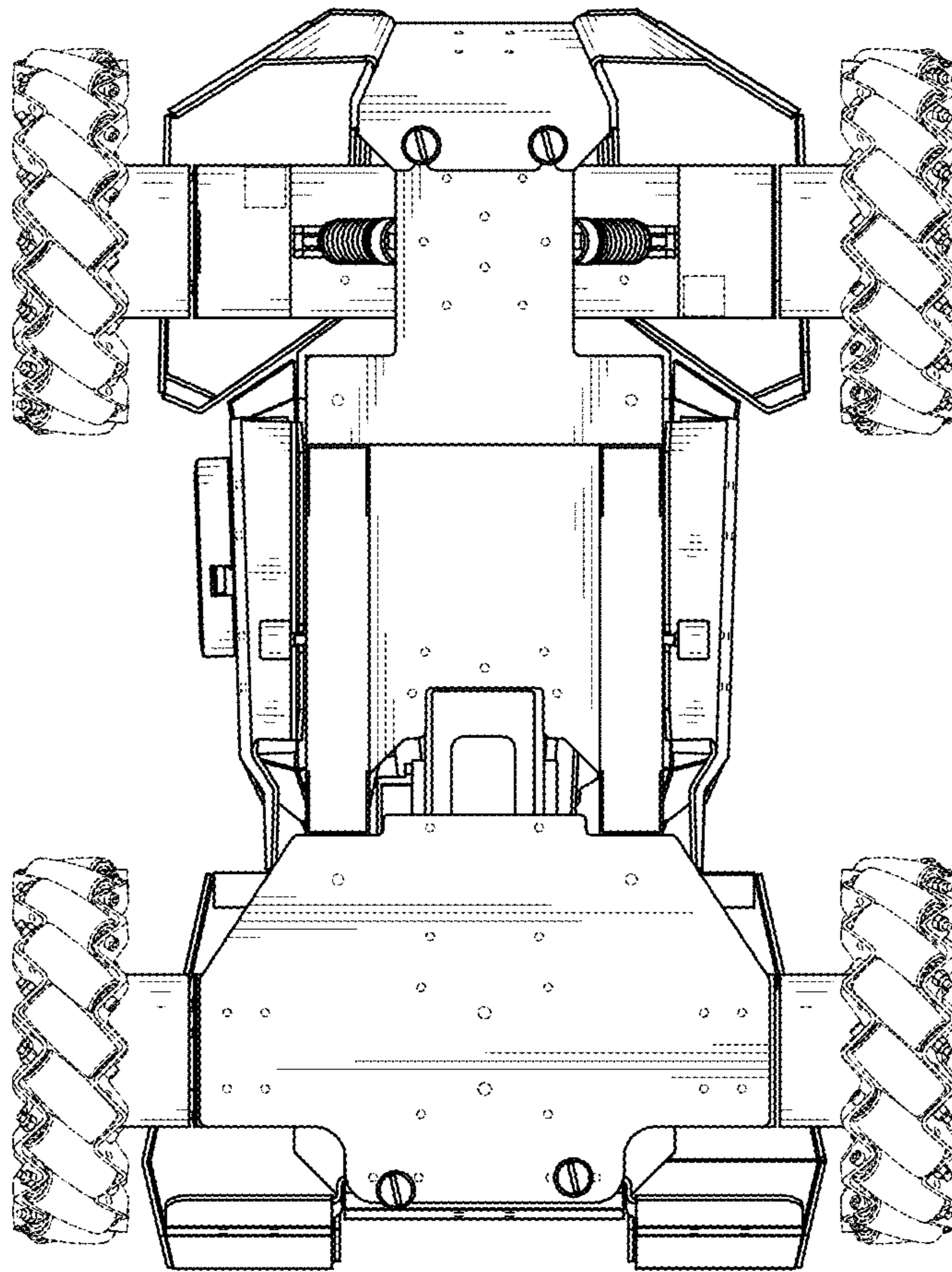


**FIG. 5**



**FIG. 6**





**FIG. 7**

UNITED STATES PATENT AND TRADEMARK OFFICE  
**CERTIFICATE OF CORRECTION**

PATENT NO. : D822,124 S  
APPLICATION NO. : 29/618631  
DATED : July 3, 2018  
INVENTOR(S) : Bei et al.

Page 1 of 9

It is certified that error appears in the above-identified patent and that said Letters Patent is hereby corrected as shown below:

Replace Title Page with attached Title Page.

Replace Figures 1 – 7 with the attached corrected Figures 1 – 7.

Signed and Sealed this  
Thirteenth Day of November, 2018



Andrei Iancu  
*Director of the United States Patent and Trademark Office*

(12) **United States Design Patent** (10) **Patent No.:** **US D822,124 S**  
**Bei et al.** (45) **Date of Patent:** **\*\* Jul. 3, 2018**

(54) **ROBOT VEHICLE**

(71) Applicant: **SZ DJI Technology Co., Ltd.**,  
 Shenzhen (CN)  
 (72) Inventors: **Shi-Meng Bei**, Shenzhen (CN); **Yi-Jun Guan**, Shenzhen (CN); **Bo Liang**,  
 Shenzhen (CN); **Ji-Dong Wei**,  
 Shenzhen (CN); **Xiao-Long Wu**,  
 Shenzhen (CN)  
 (73) Assignee: **SZ DJI Technology Co., Ltd.**,  
 Shenzhen (CN)

(\*\*) Term: **15 Years**

(21) Appl. No.: **29/618,631**

(22) Filed: **Sep. 22, 2017**

**Related U.S. Application Data**

(63) Continuation of application No. 29/525,048, filed on  
 Apr. 27, 2015, now Pat. No. Des. 803,765.

(51) **LOC (11) CL.** ..... **21-01**

(52) **U.S. CL.**  
 USPC ..... **D21/533; D21/557**

(58) **Field of Classification Search**  
 USPC ..... D21/398, 533, 548, 549, 550, 551, 552,  
 D21/557, 560, 561, 562, 580, 581;  
 446/154, 164, 231, 233, 236-242, 265,  
 446/266, 273, 437, 462, 465, 470  
 CPC .... A63H 17/004; A63H 17/26; A63H 17/262;  
 A63H 17/264; A63H 17/266; A63H  
 17/36; A63H 17/38; A63H 29/00; A63H  
 29/16; A63H 29/165; A63H 29/22; A63H  
 29/24; A63H 30/04

See application file for complete search history.

(56) **References Cited**

**U.S. PATENT DOCUMENTS**

D309,930 S	8/1990	Asaeda	
D317,336 S	6/1991	Tsuchiya	
D377,956 S	2/1997	Chuang	
D379,386 S	5/1997	Chuang	
5,727,985 A	3/1998	George et al.	
D408,471 S	4/1999	Smolarczyk	
D508,963 S	8/2005	Discoe et al.	
D538,861 S	3/2007	Takahashi	
7,234,992 B2	6/2007	Weiss et al.	
D577,083 S	9/2008	Nakayama	
D593,616 S	6/2009	Asai	
9,352,242 B2 *	5/2016	Rehkemper	A63H 30/04
9,375,648 B2	6/2016	Hippely et al.	
D762,269 S	7/2016	Lee	
D792,524 S *	7/2017	Lee	D21/533
9,931,580 B2 *	4/2018	Rehkemper	A63H 30/04

(Continued)

*Primary Examiner* — Cynthia M Chin

(74) *Attorney, Agent, or Firm* — Sterne, Kessler,  
 Goldstein & Fox P.L.L.C.

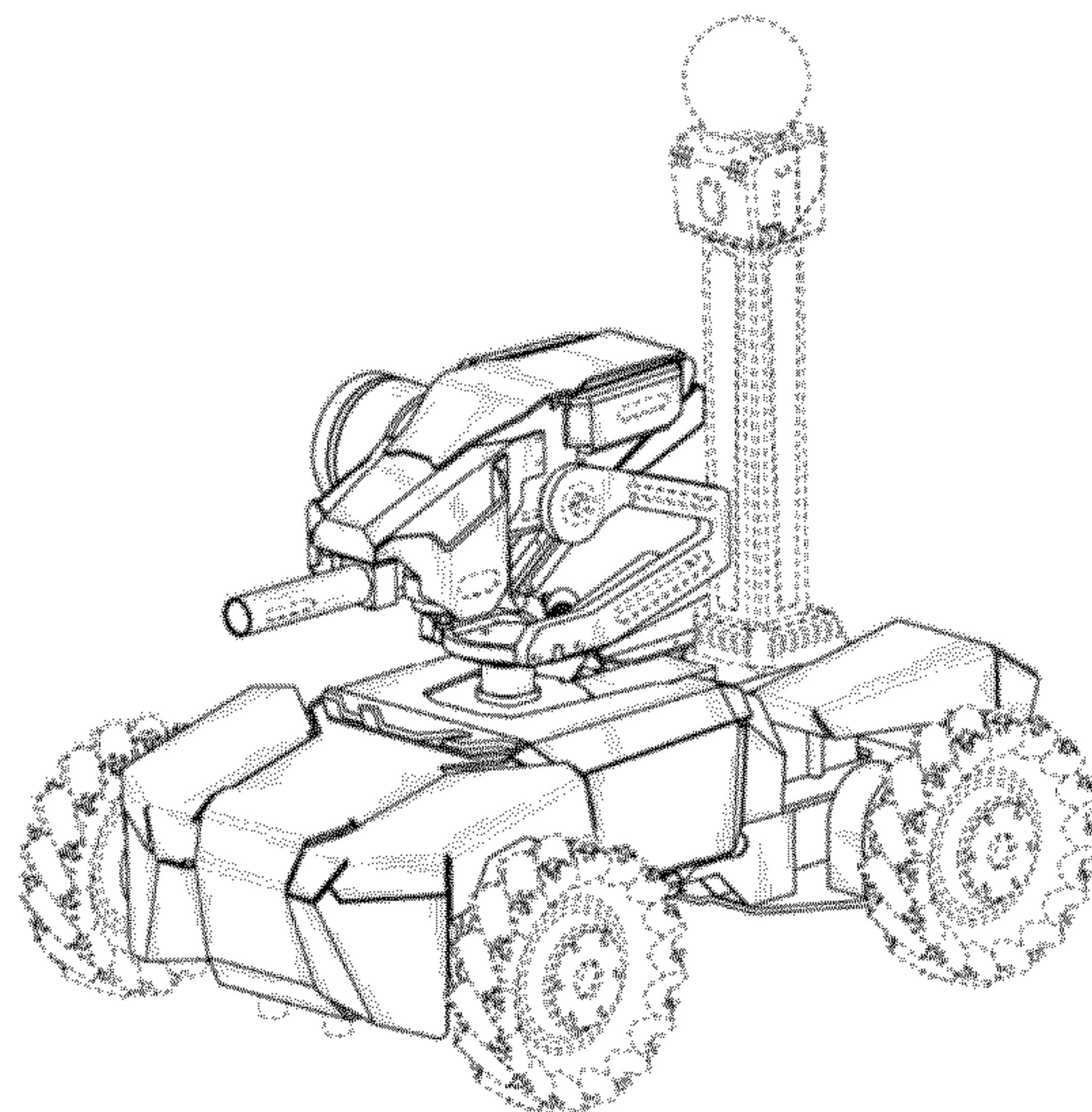
(57) **CLAIM**

The ornamental design for a robot vehicle, as shown and  
 described.

**DESCRIPTION**

FIG. 1 is a front perspective view of a robot vehicle showing  
 the claimed design;  
 FIG. 2 is a front view thereof;  
 FIG. 3 is a rear view thereof;  
 FIG. 4 is a left side view thereof;  
 FIG. 5 is a right side view thereof;  
 FIG. 6 is a top view thereof; and,  
 FIG. 7 is a bottom view thereof.  
 The dashed broken lines in the figures show portions of the  
 robot vehicle that form no part of the claimed design. The  
 dot-dash broken lines in the figures and the areas within the  
 dot-dash broken lines show portions of the robot vehicle that  
 form no part of the claimed design.

**1 Claim, 7 Drawing Sheets**



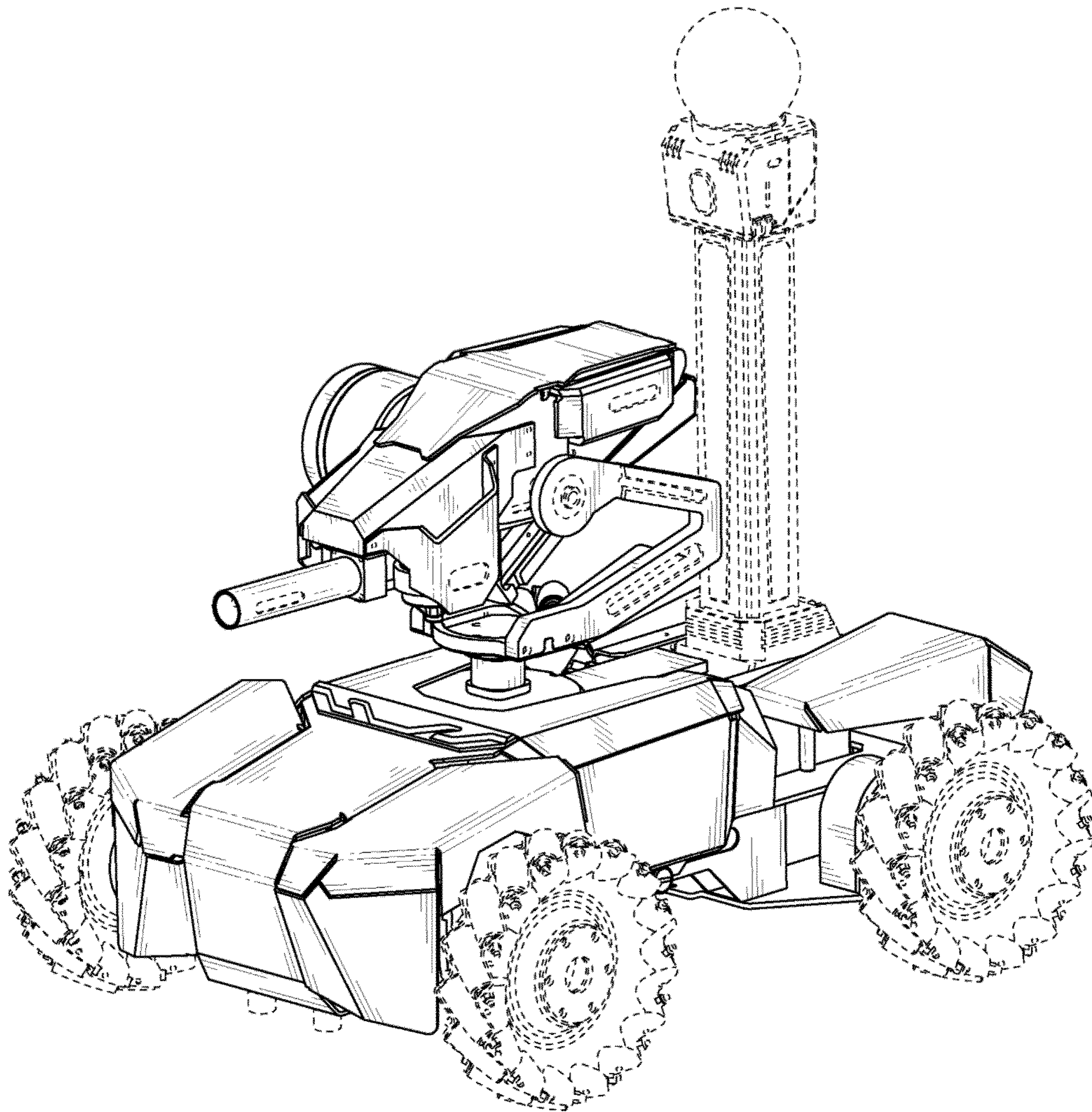


FIG. 1

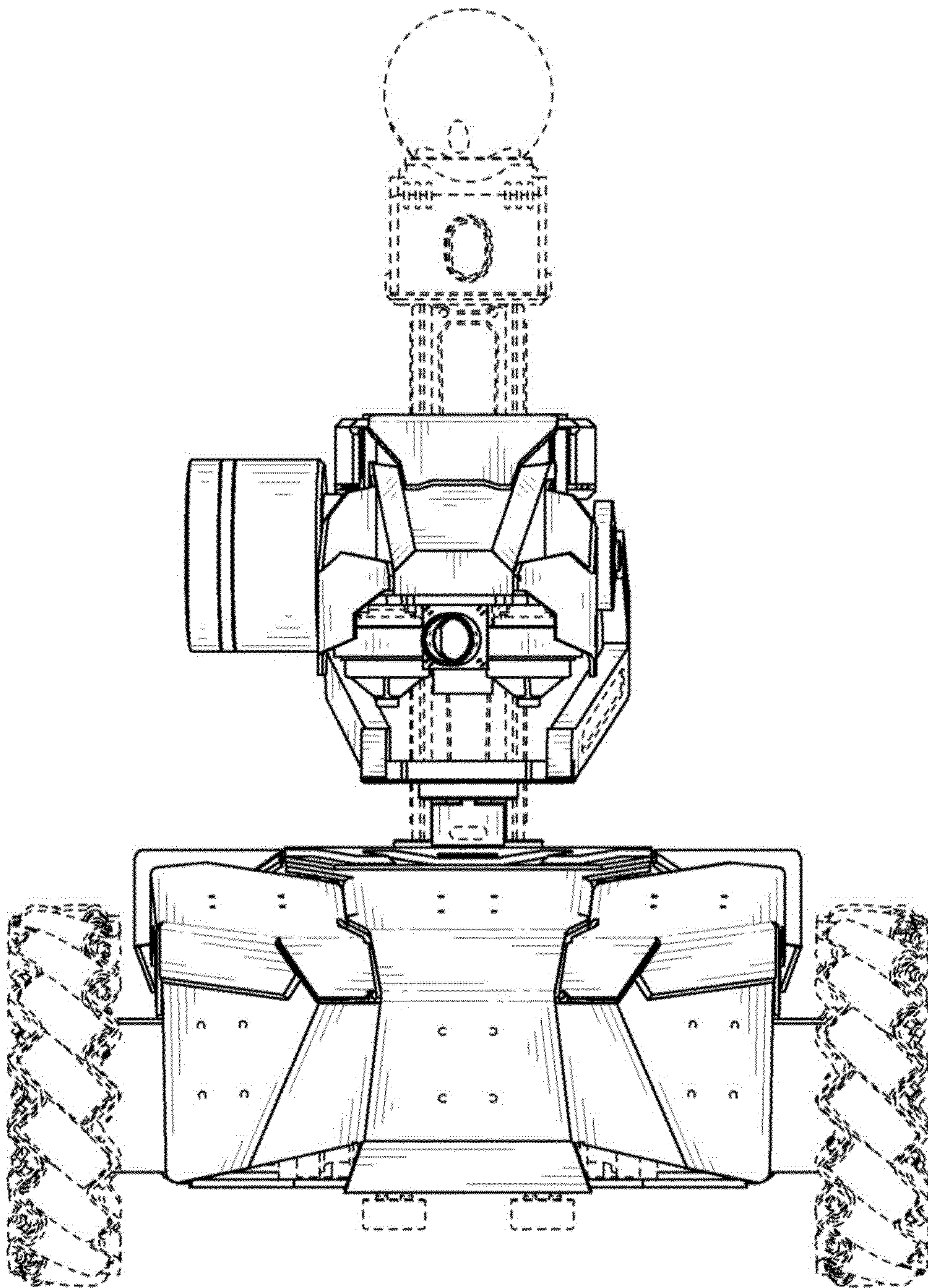


FIG. 2

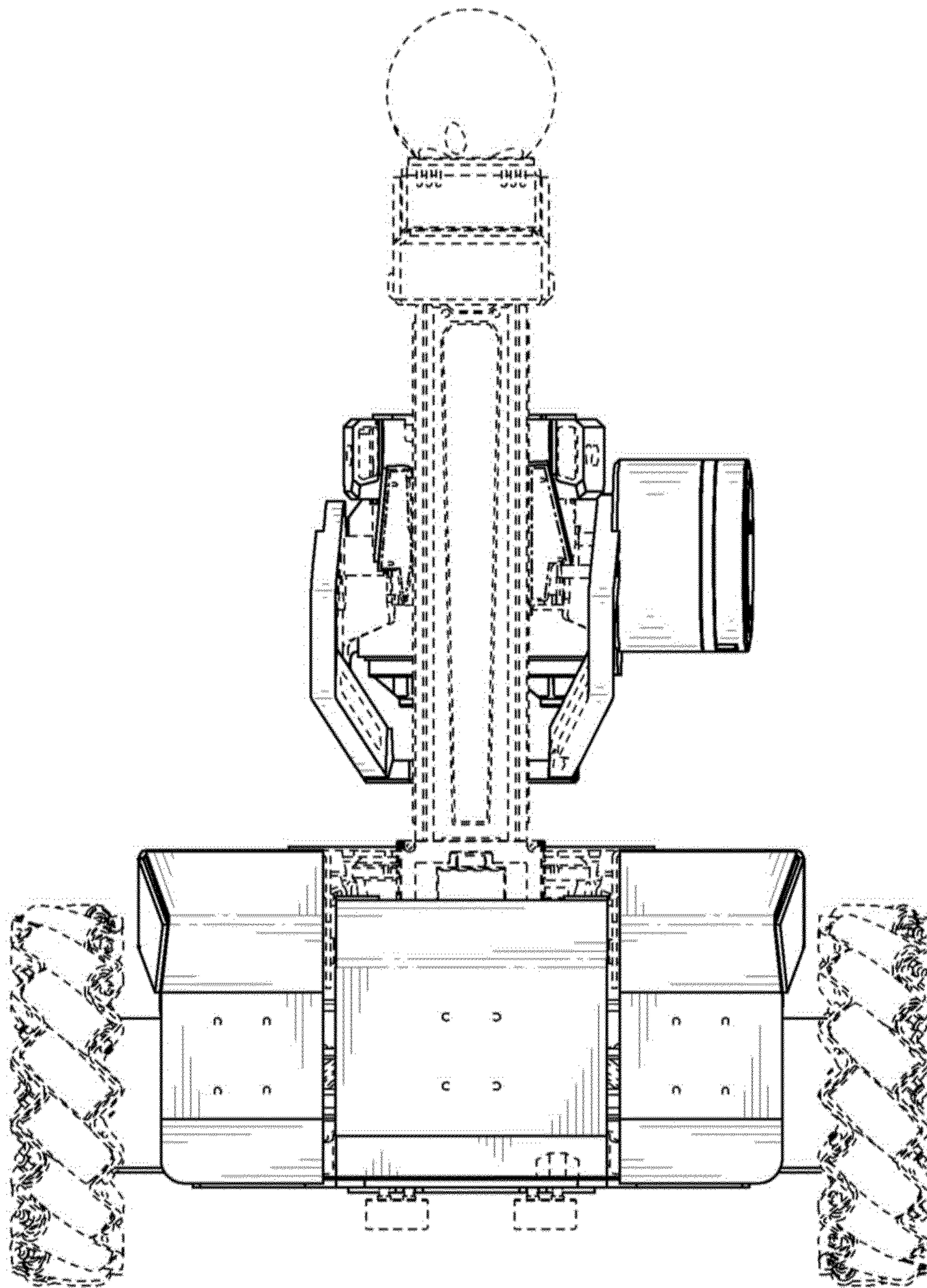


FIG. 3

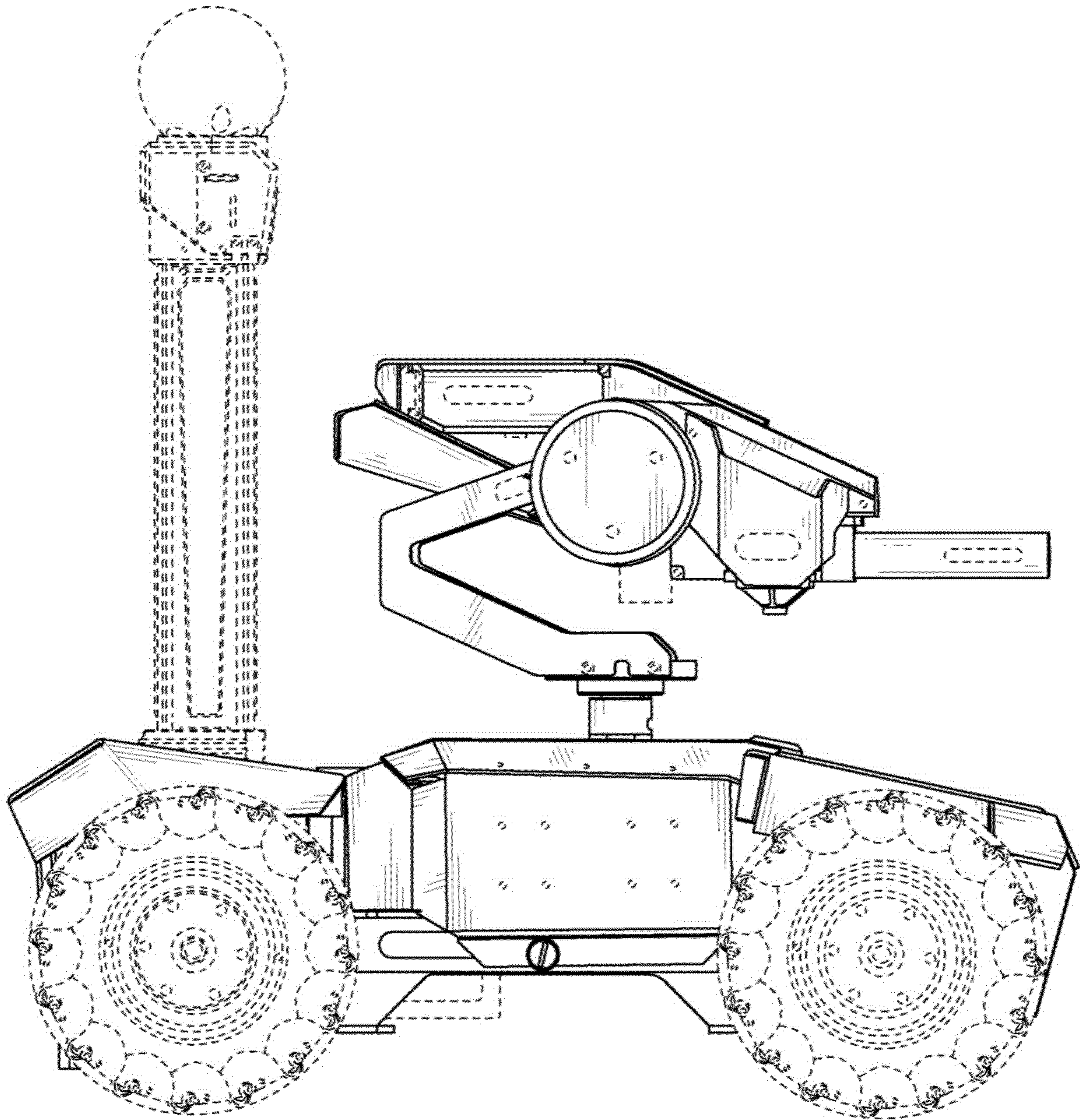


FIG. 4

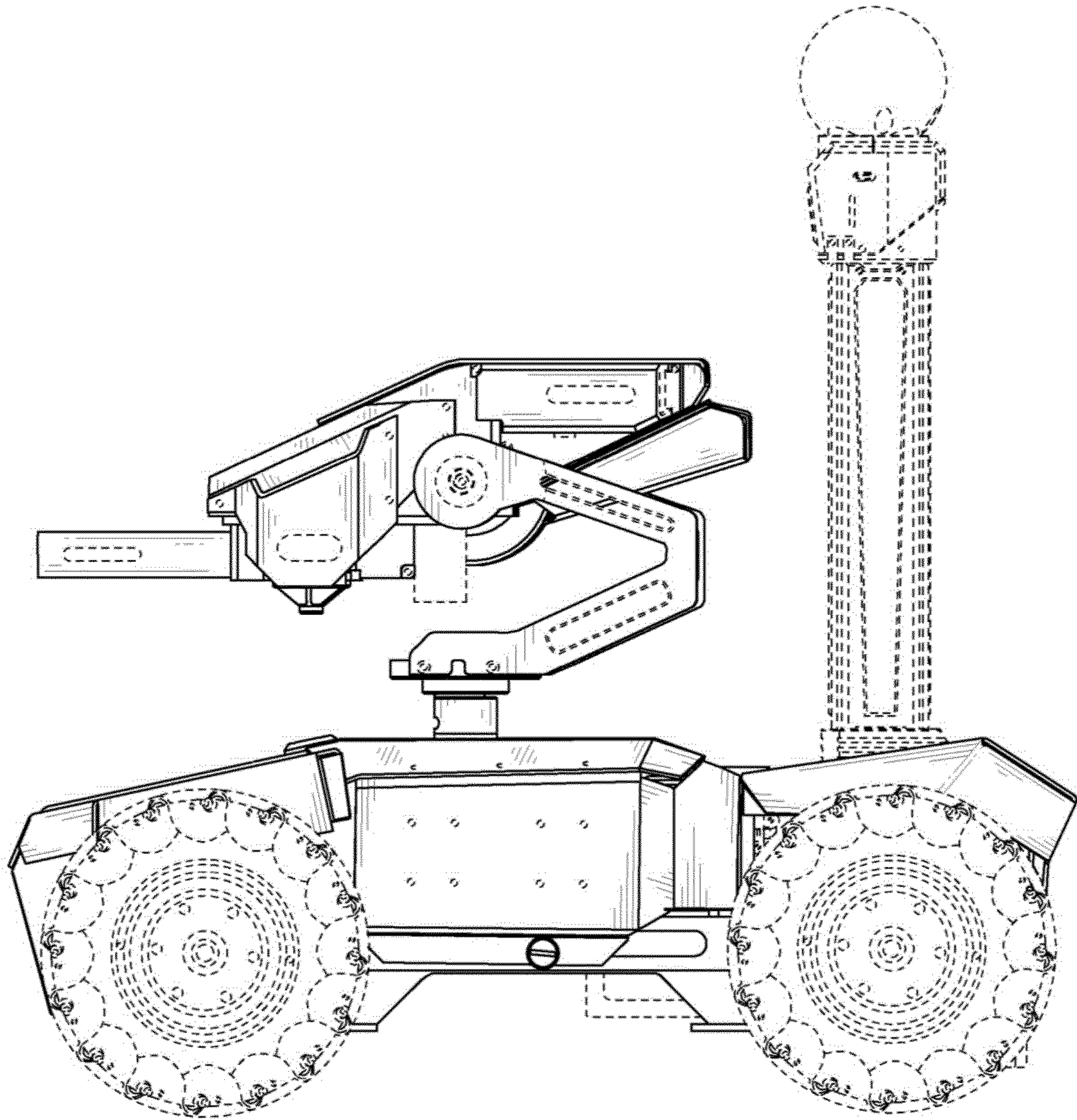


FIG. 5



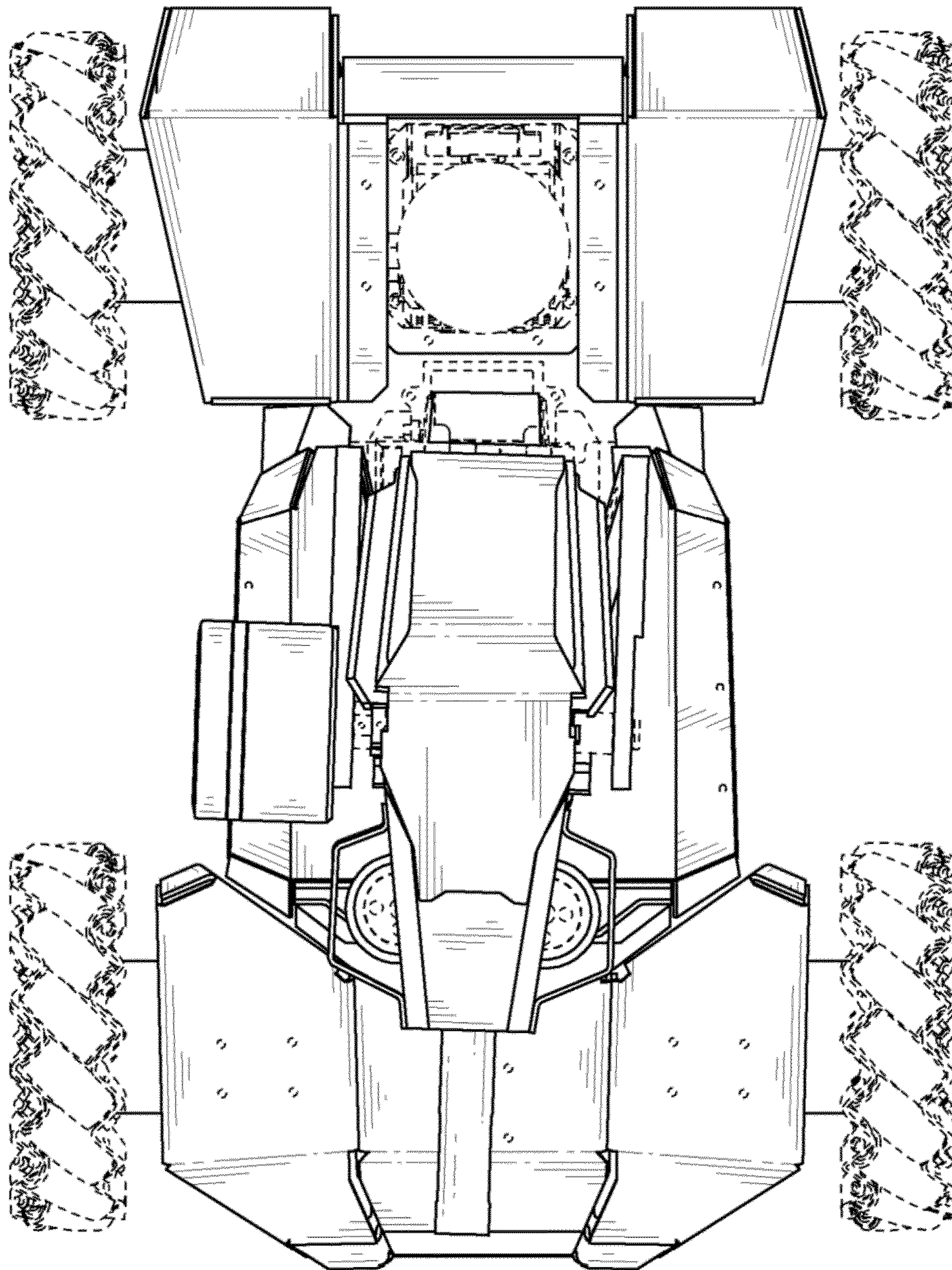


FIG. 6

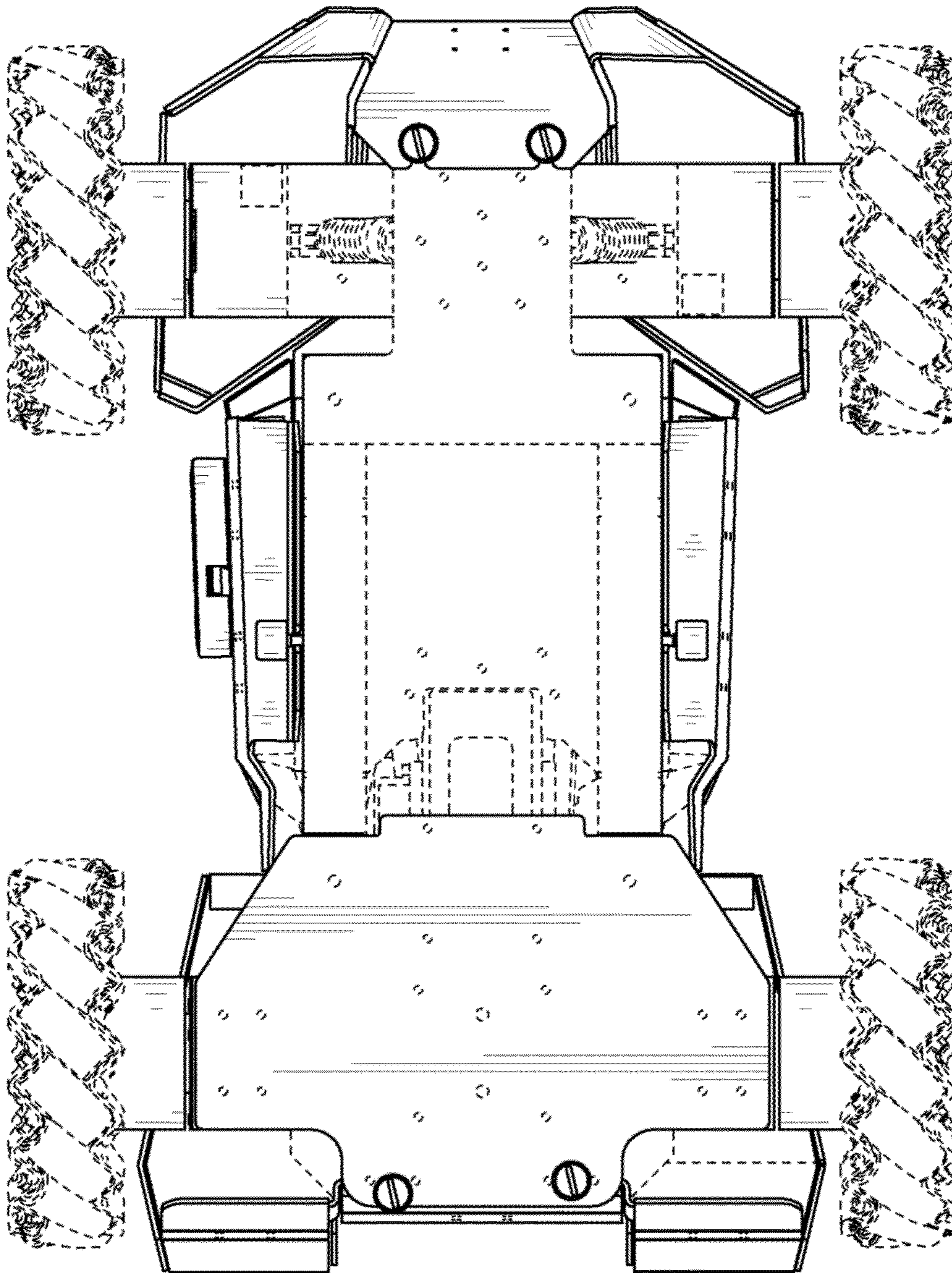


FIG. 7