



US00D822123S

(12) **United States Design Patent**
Bilezikian et al.

(10) **Patent No.:** **US D822,123 S**
(45) **Date of Patent:** **** Jul. 3, 2018**

(54) **SET OF BUILDING BLOCKS**

(71) Applicant: **Guidecraft, Inc.**, Tuxedo, NY (US)

(72) Inventors: **Gary L. Bilezikian**, Warwick, NY (US); **Shannon Moore**, Monroe, NY (US)

(73) Assignee: **Guidecraft, Inc.**, Tuxedo, NY (US)

(**) Term: **15 Years**

(21) Appl. No.: **29/597,136**

(22) Filed: **Mar. 14, 2017**

(51) **LOC (11) Cl.** **21-01**

(52) **U.S. Cl.**
USPC **D21/487**; D21/503

(58) **Field of Classification Search**
USPC D21/333, 373, 386, 389, 404, 468, 470,
D21/471, 475, 484-505
CPC A63H 33/00; A63H 33/04; A63H 33/06;
A63H 33/062; A63H 33/08; A63H
33/082; A63H 33/084; A63H 33/086;
A63H 33/088;

(Continued)

(56) **References Cited**

U.S. PATENT DOCUMENTS

D208,789 S * 10/1967 Kuhn D21/503
3,433,510 A * 3/1969 Hulterstrum F16C 11/0619
403/77

(Continued)

Primary Examiner — Cynthia M Chin

(74) *Attorney, Agent, or Firm* — Richard W. James

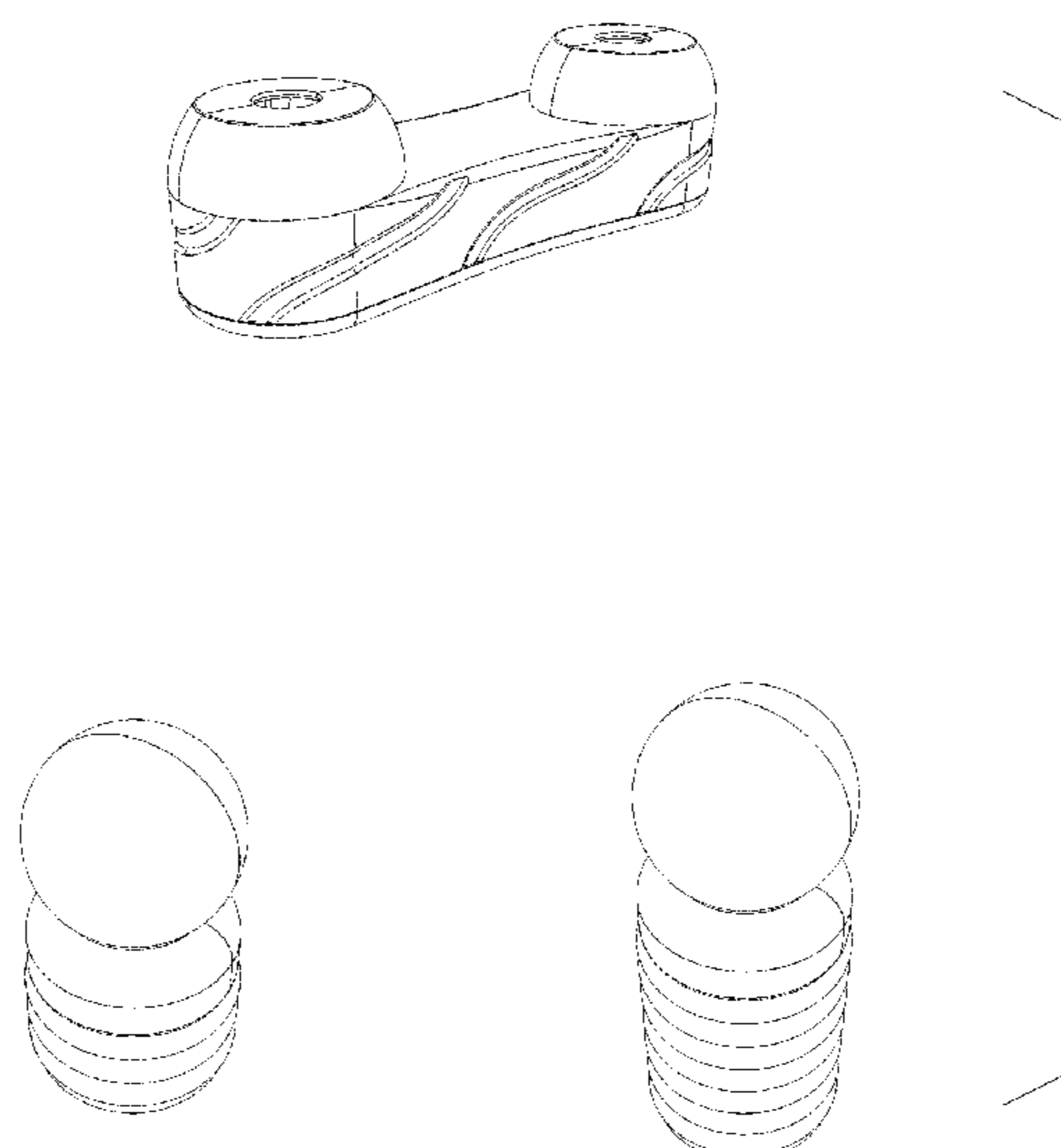
(57) **CLAIM**

The ornamental design for a set of building blocks, as shown and described.

DESCRIPTION

FIG. 1 is a perspective view of the set of building blocks of the design;
FIG. 2 is an enlarged-scale perspective view of a first block of the set of building blocks in accordance with the design;
FIG. 3 is an enlarged-scale right side elevational view of the first block;
FIG. 4 is an enlarged-scale left side elevational view of the first block;
FIG. 5 is an enlarged-scale top plan view of the first block;
FIG. 6 is an enlarged-scale bottom plan view of the first block;
FIG. 7 is an enlarged-scale front elevational view of the first block;
FIG. 8 is an enlarged-scale rear elevational view of the first block;
FIG. 9 is an enlarged-scale perspective view of a second block of the design;
FIG. 10 is an enlarged-scale front elevational view of the second block, the rear elevational view being identical;
FIG. 11 is an enlarged-scale right side elevational view of the second block, the left side elevational view being identical;
FIG. 12 is an enlarged-scale top plan view of the second block;
FIG. 13 is an enlarged-scale bottom plan view of the second block;
FIG. 14 is an enlarged-scale perspective view of a third block of the design;
FIG. 15 is an enlarged-scale front elevational view of the third block, the rear elevational view being identical;
FIG. 16 is an enlarged-scale right side elevational view of the third block, the left side elevational view being identical;
FIG. 17 is an enlarged-scale top plan view of the third block; and,
FIG. 18 is an enlarged-scale bottom plan view of the third block.
FIGS. 2-18 are shown separately for ease and clarity of illustration.

1 Claim, 5 Drawing Sheets



(58) **Field of Classification Search**

CPC A63H 33/108; A63H 33/12; A63H 3/16;
A63H 3/46; A63F 9/12; A63F 9/1224

See application file for complete search history.

(56) **References Cited**

U.S. PATENT DOCUMENTS

3,694,954	A *	10/1972	Brumlik	A63H 33/103 446/102
D306,190	S *	2/1990	Poulsen	D21/498
D354,319	S *	1/1995	Wilson	D21/503
D392,555	S *	3/1998	Glickman	D8/382
5,897,417	A *	4/1999	Grey	A63H 33/062 446/102
D715,872	S *	10/2014	Balanchi	D21/486
D757,184	S *	5/2016	Balanchi	D21/404
D760,323	S *	6/2016	Champ	D21/486
D783,730	S *	4/2017	Sprague	D21/486
D786,364	S *	5/2017	Richards	D21/484
9,789,417	B2 *	10/2017	Vandoren	A63H 33/046
D802,547	S *	11/2017	Kott	D13/183
2006/0014467	A1 *	1/2006	Tusacciu	A63H 33/046 446/126

* cited by examiner

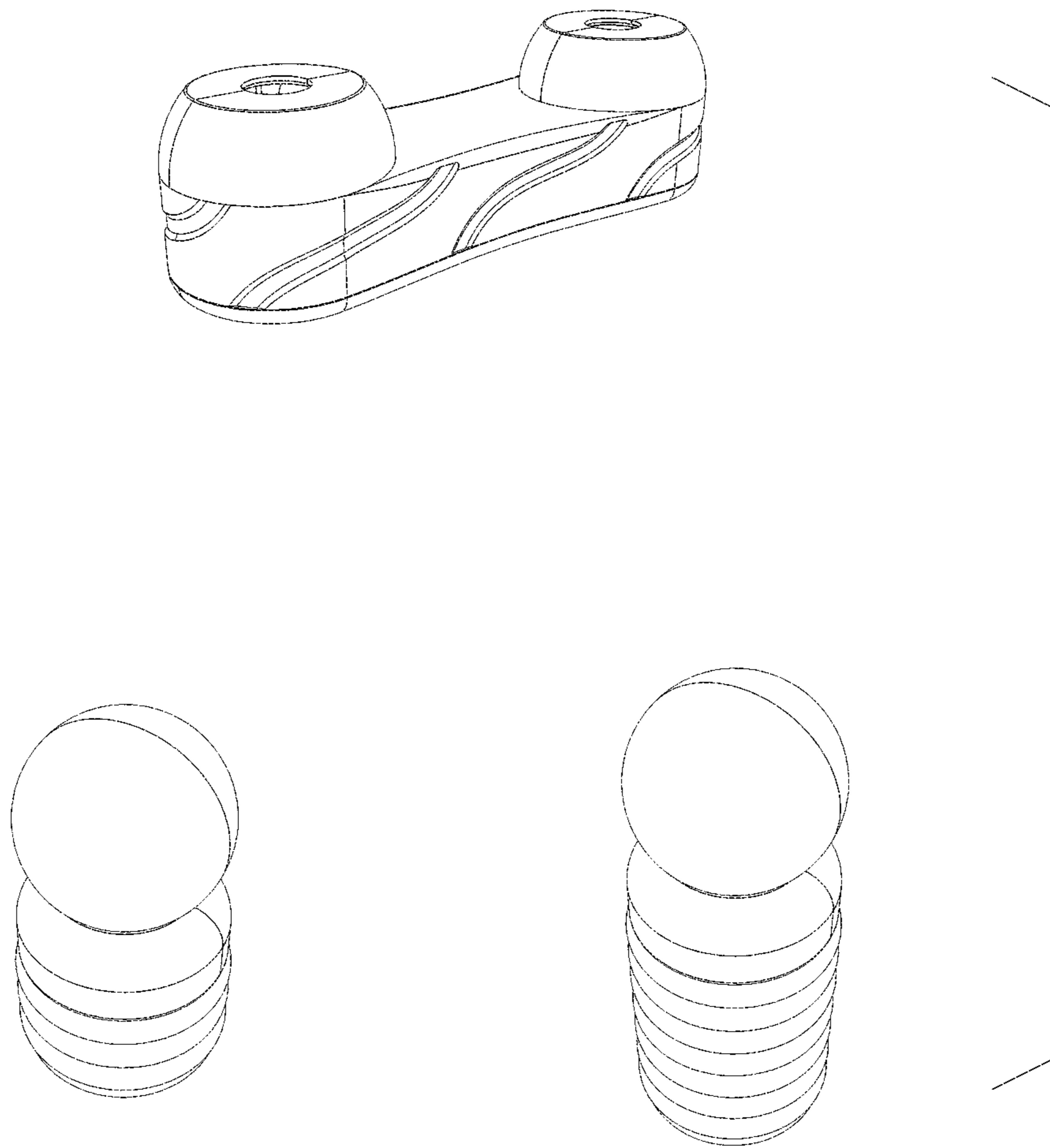


FIG. 1

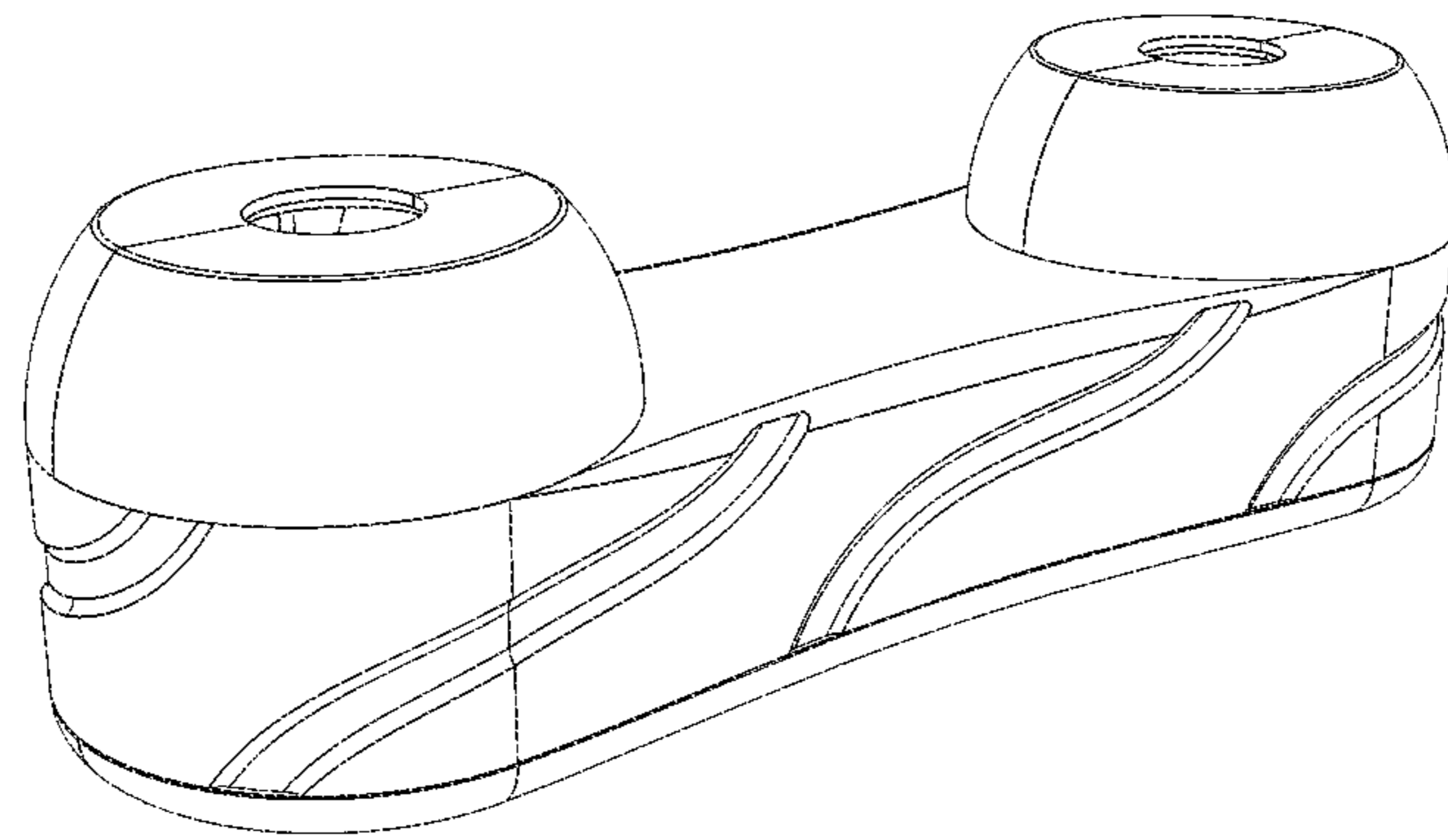


FIG. 2

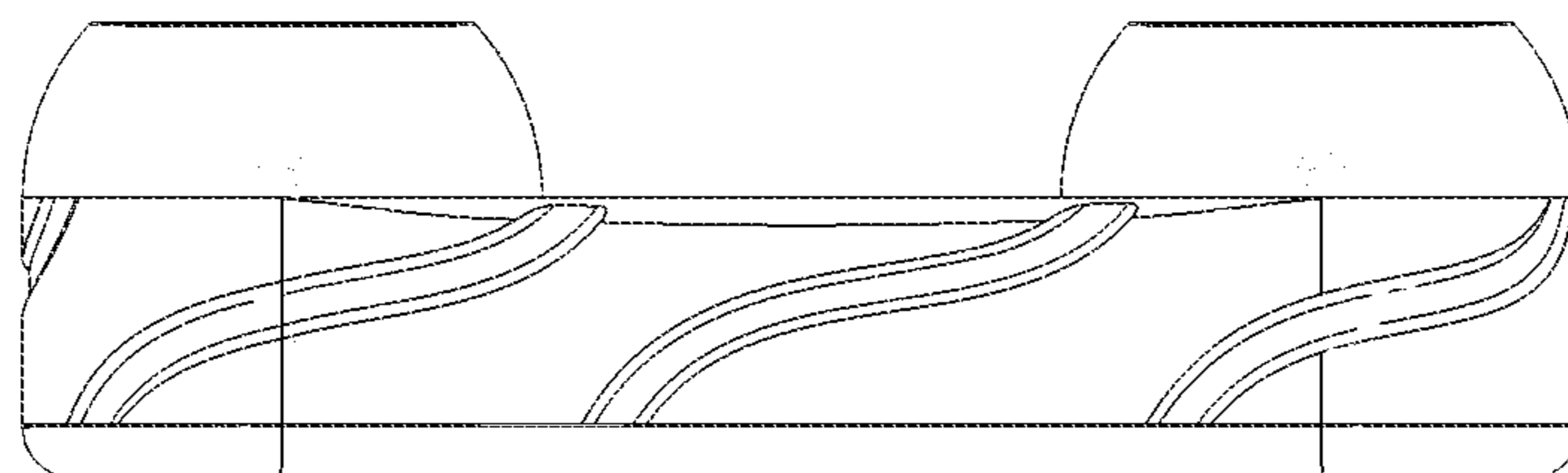


FIG. 3

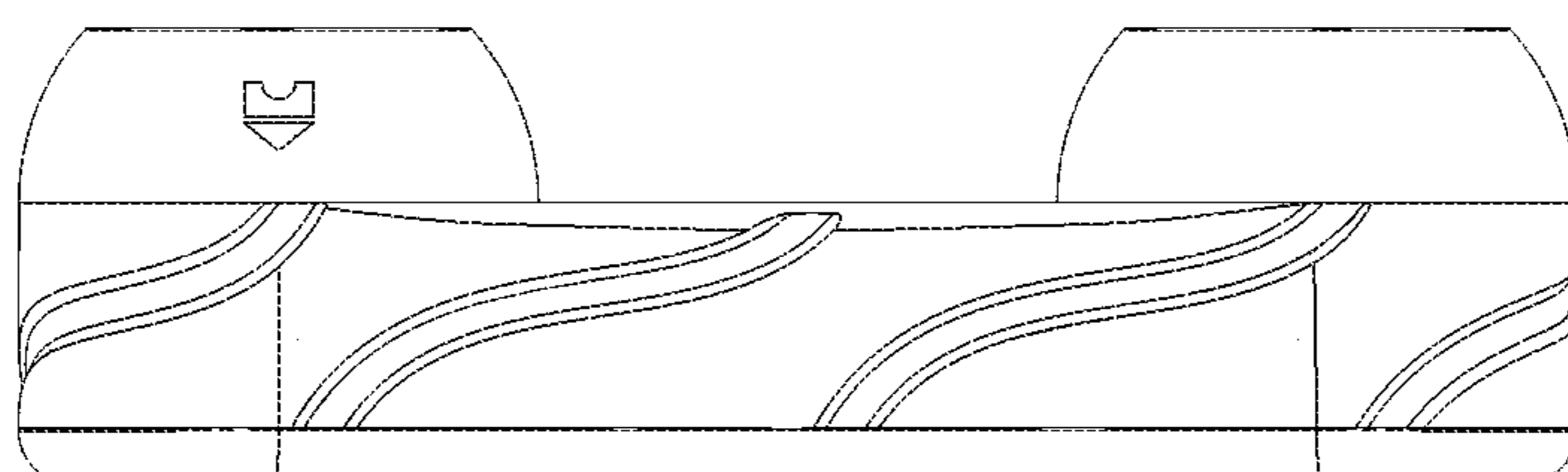


FIG. 4

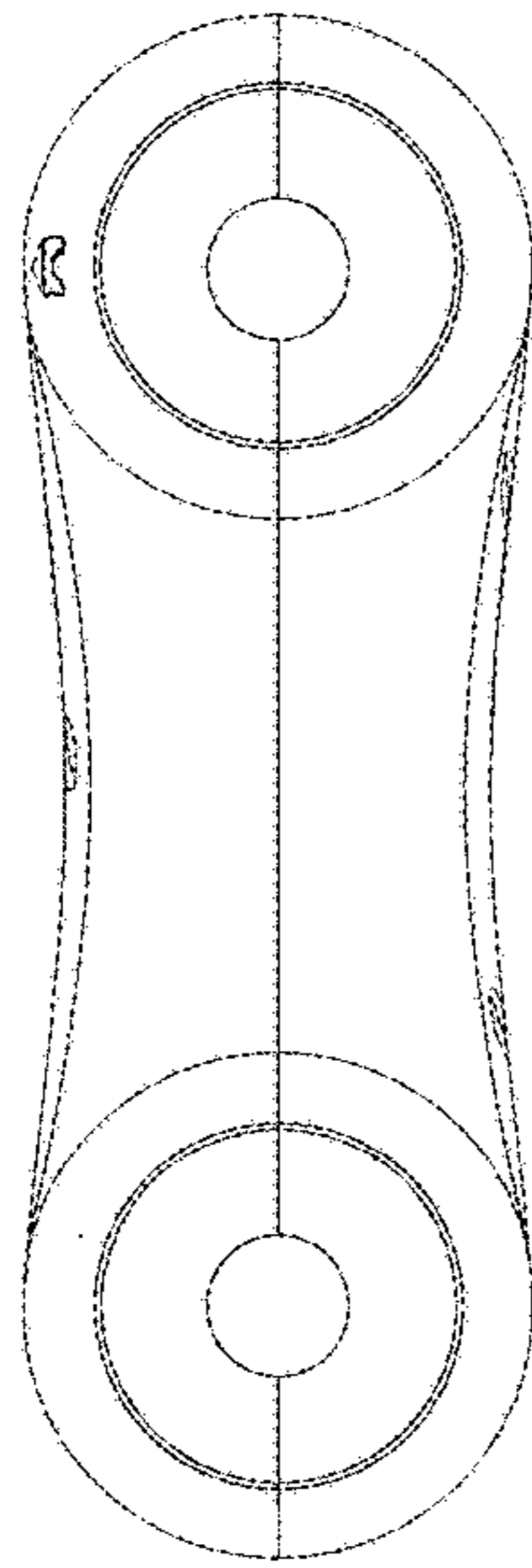


FIG. 5

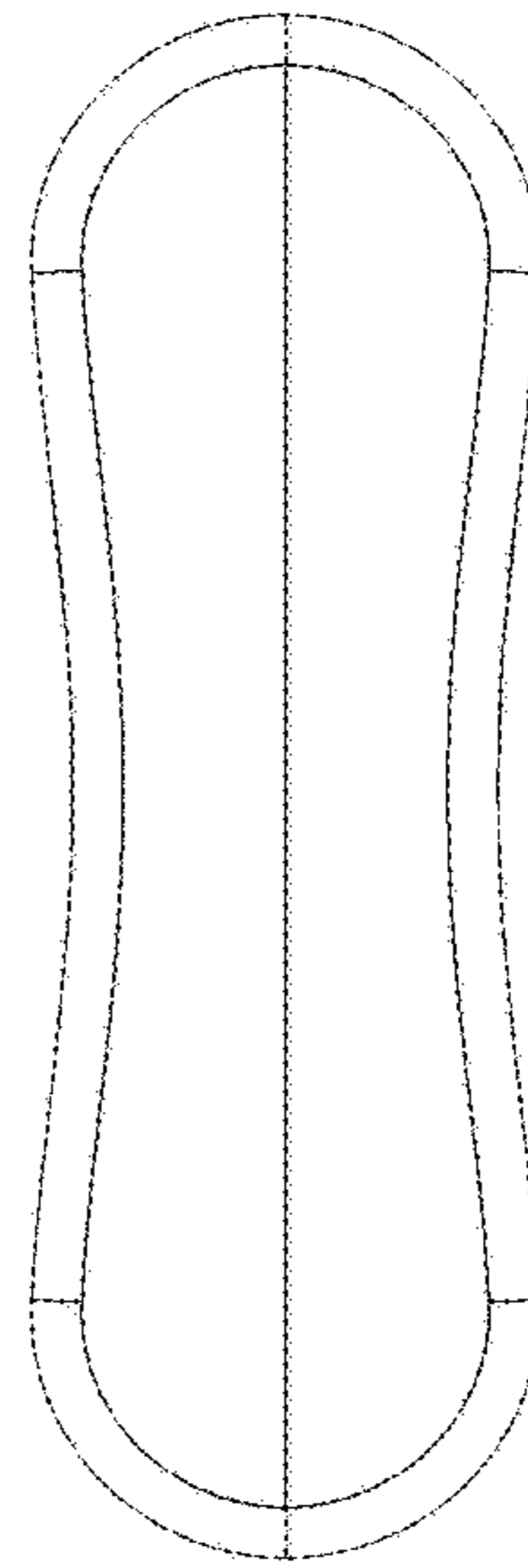


FIG. 6

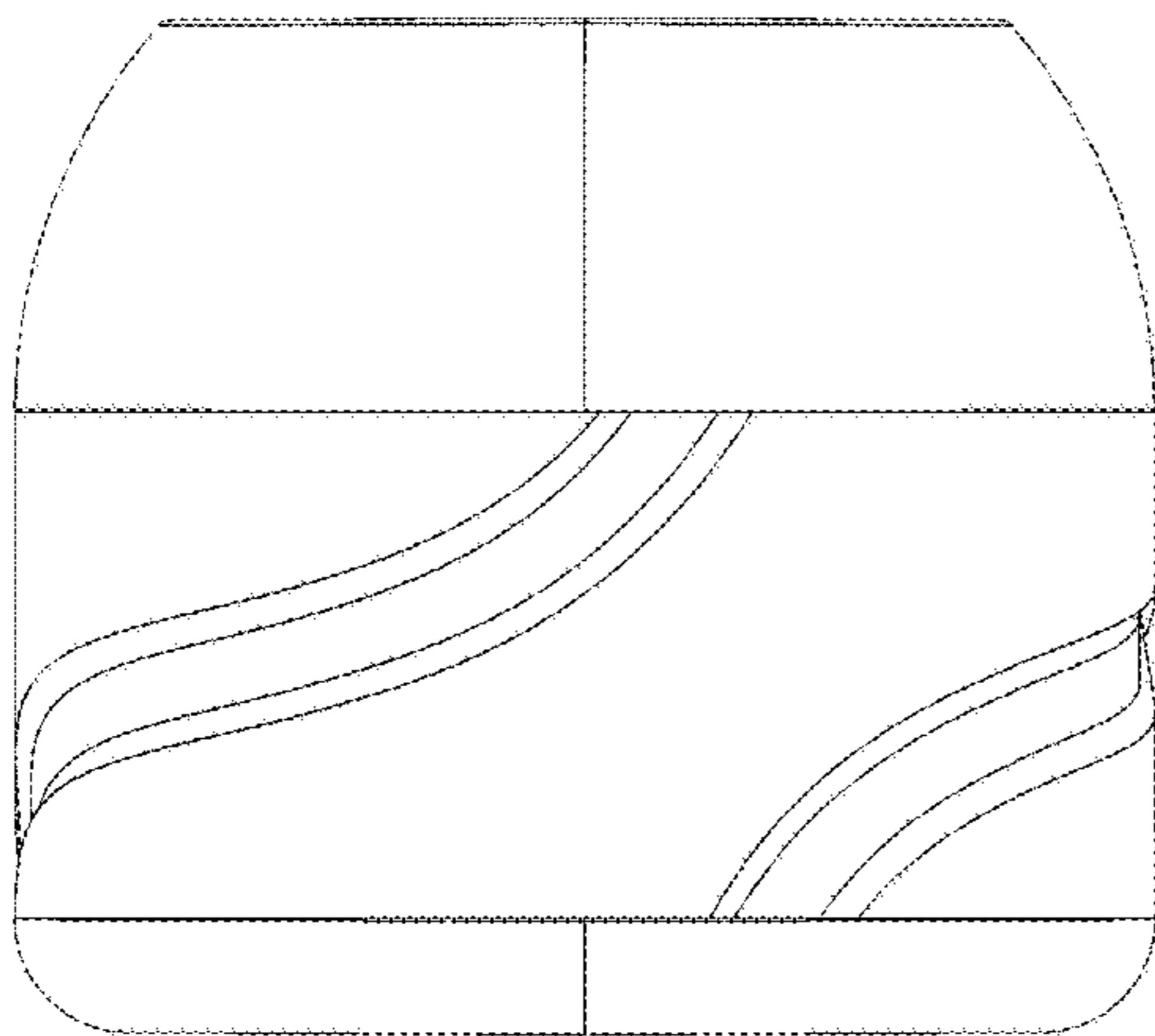


FIG. 7

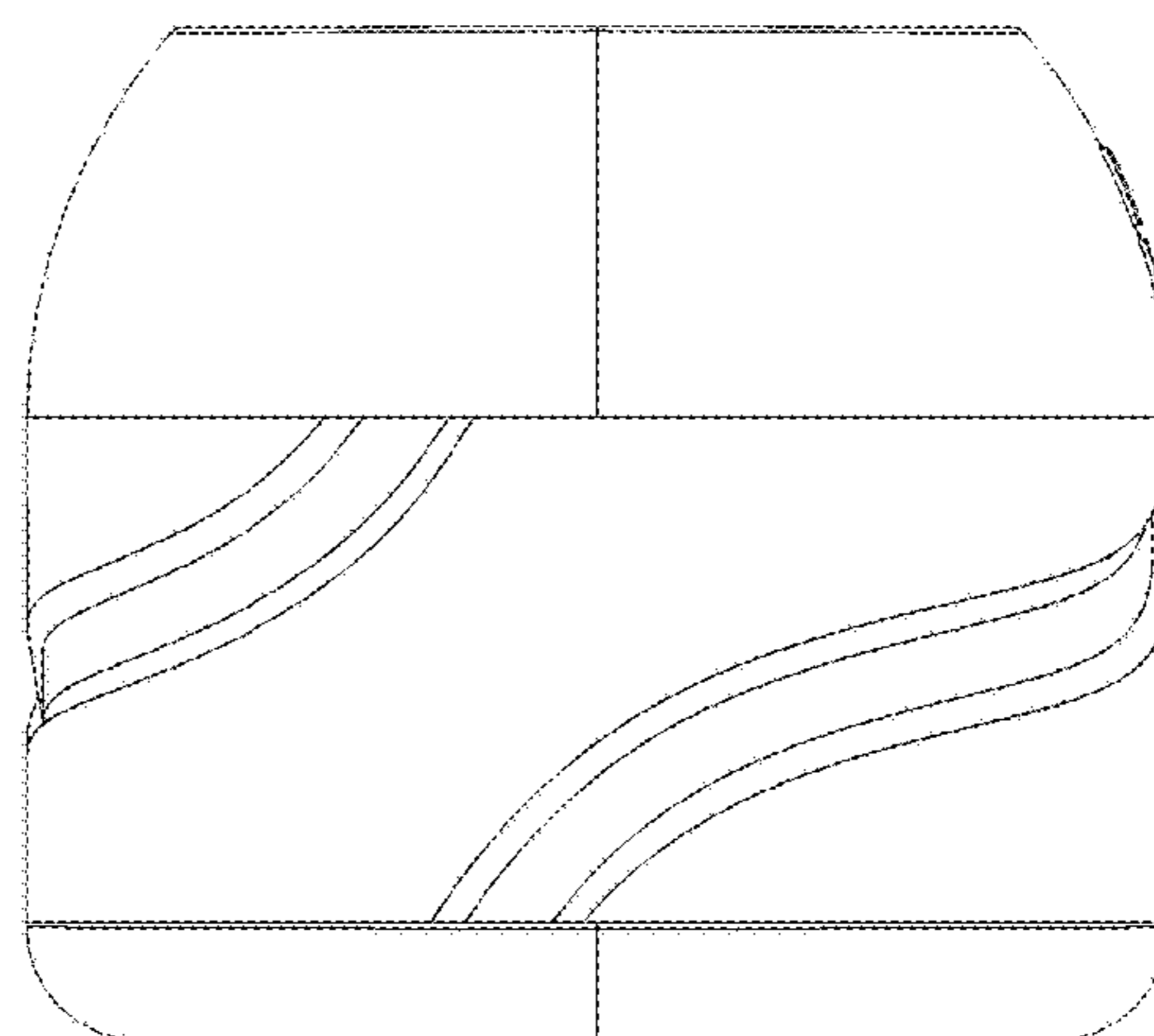


FIG. 8

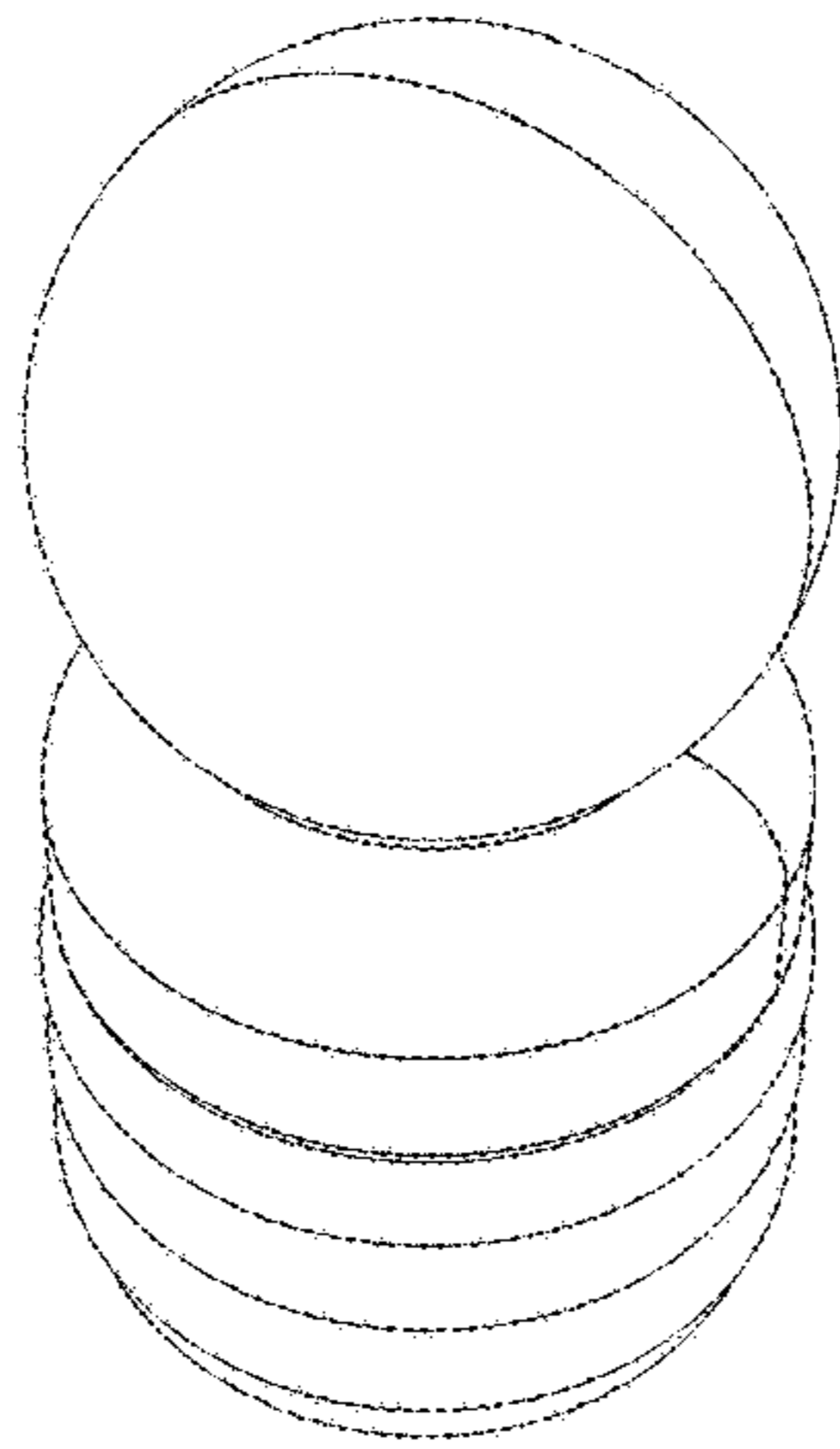


FIG. 9

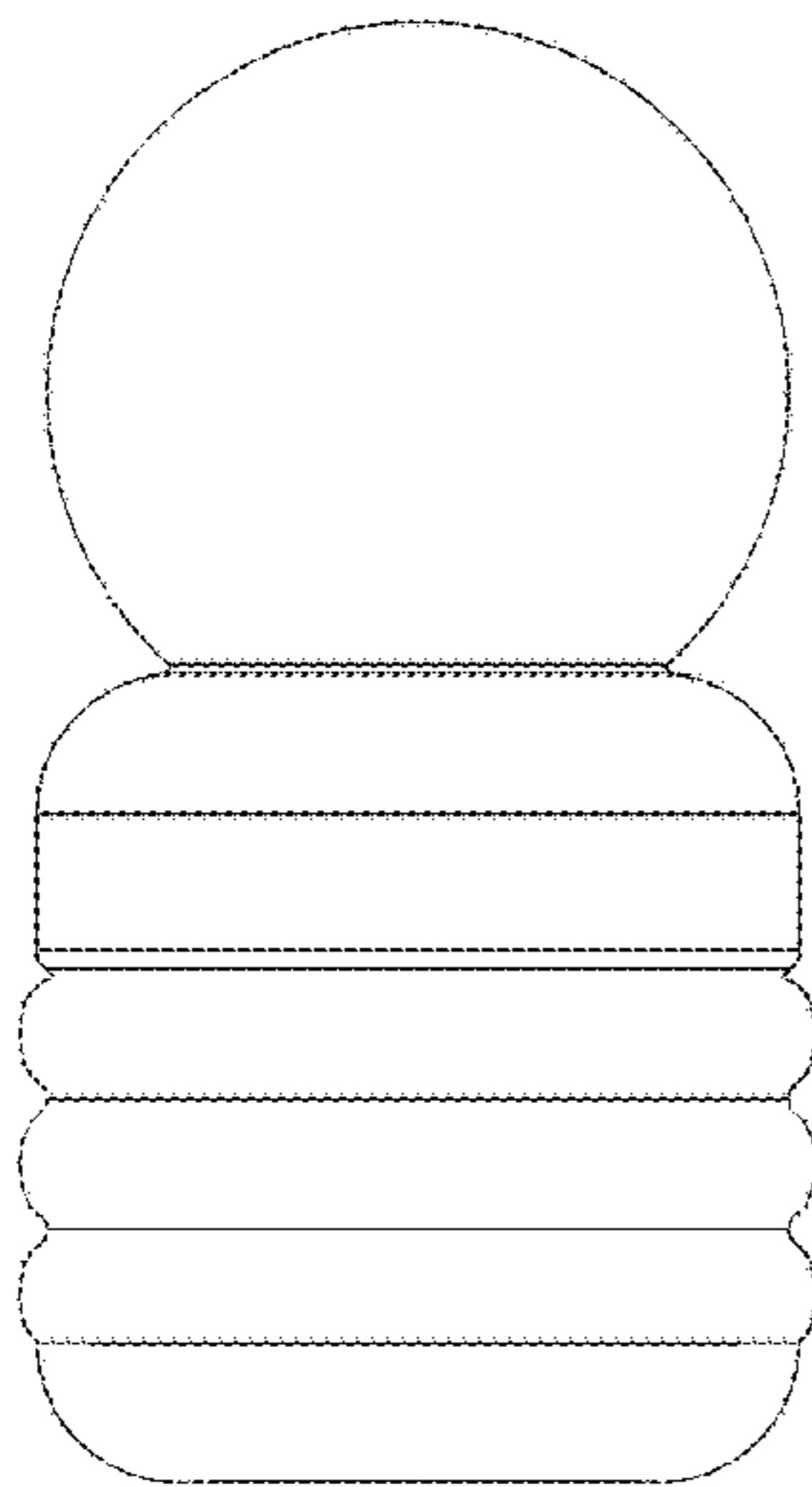


FIG. 10

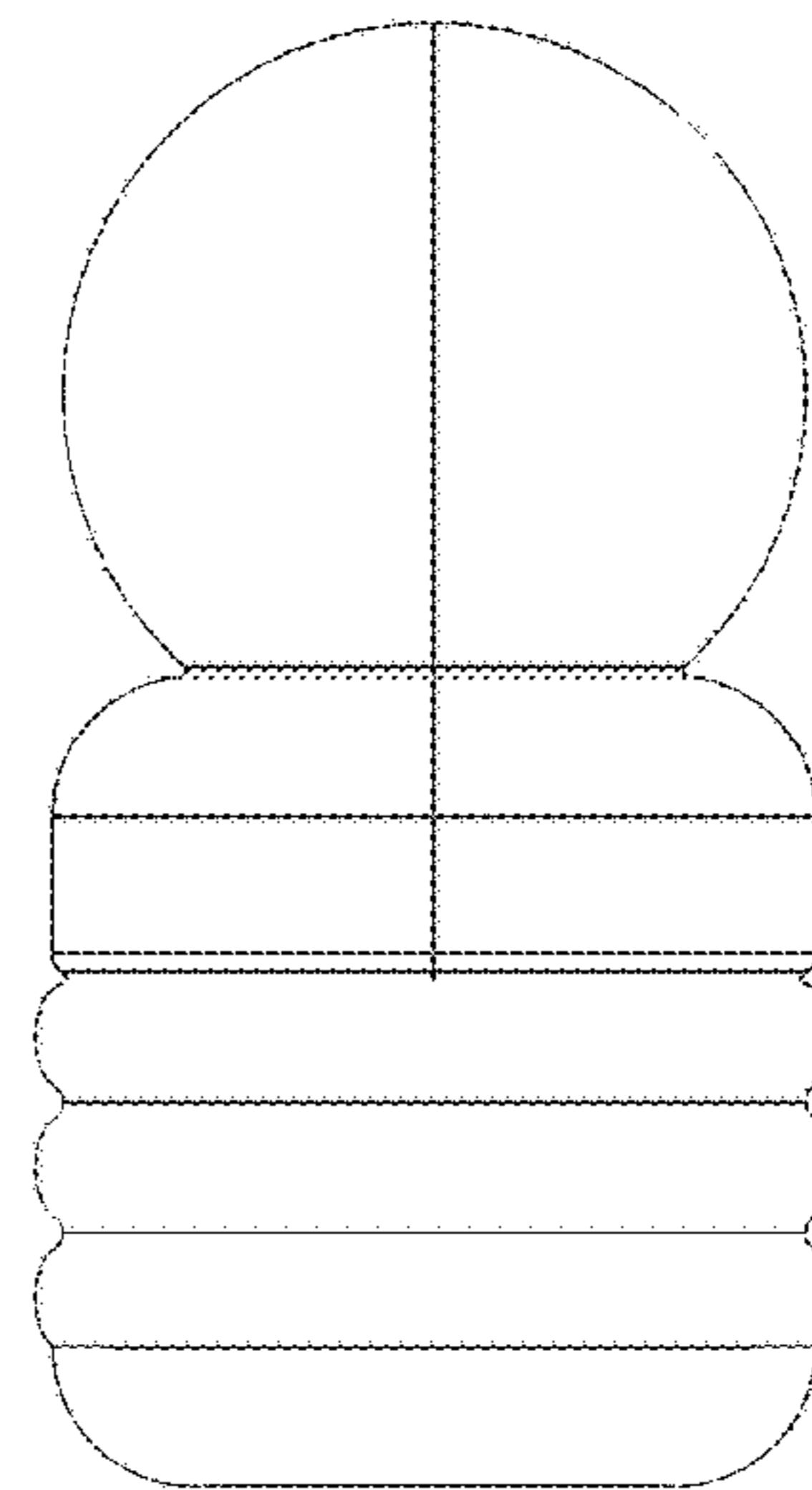


FIG. 11

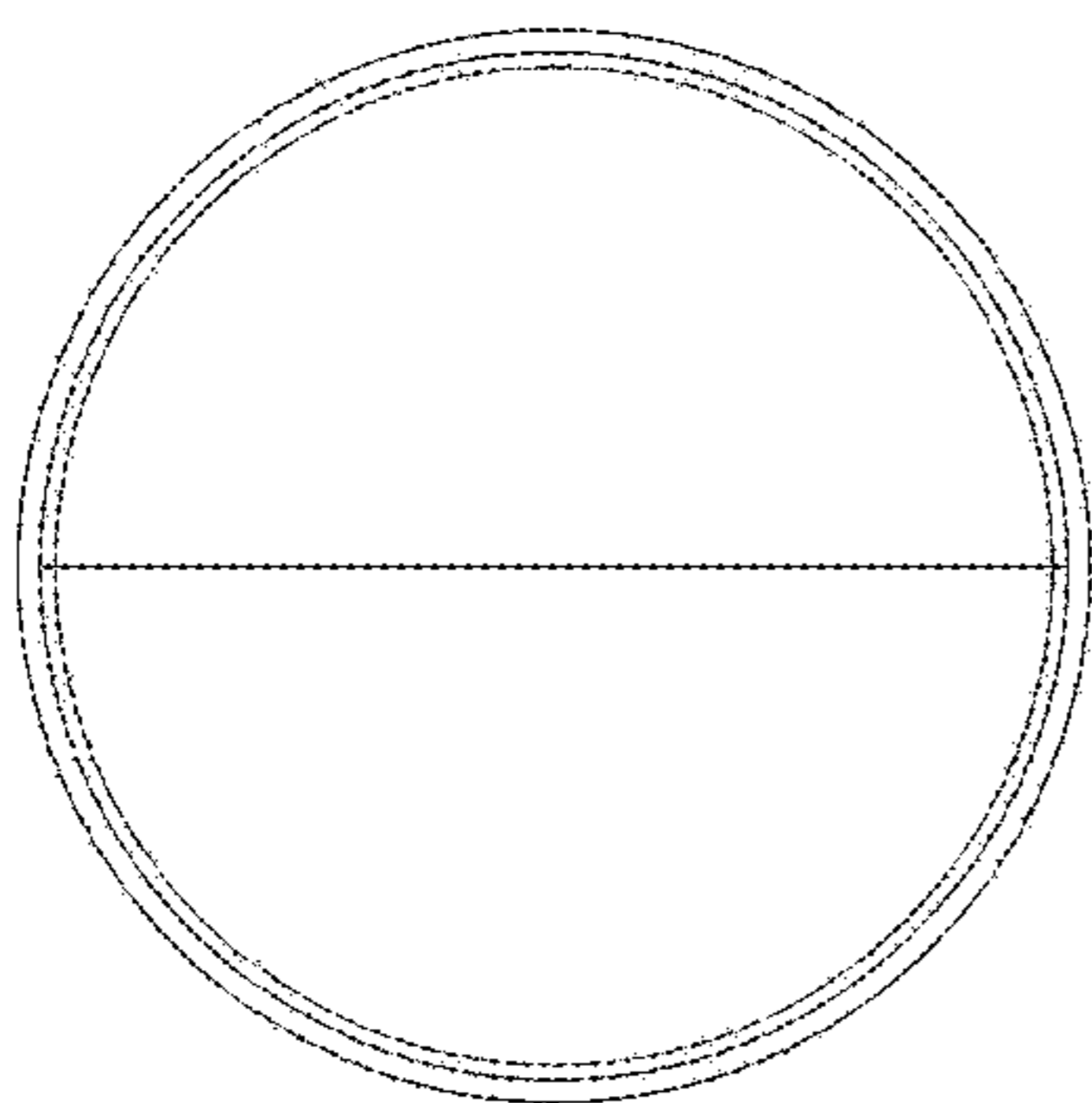


FIG. 12

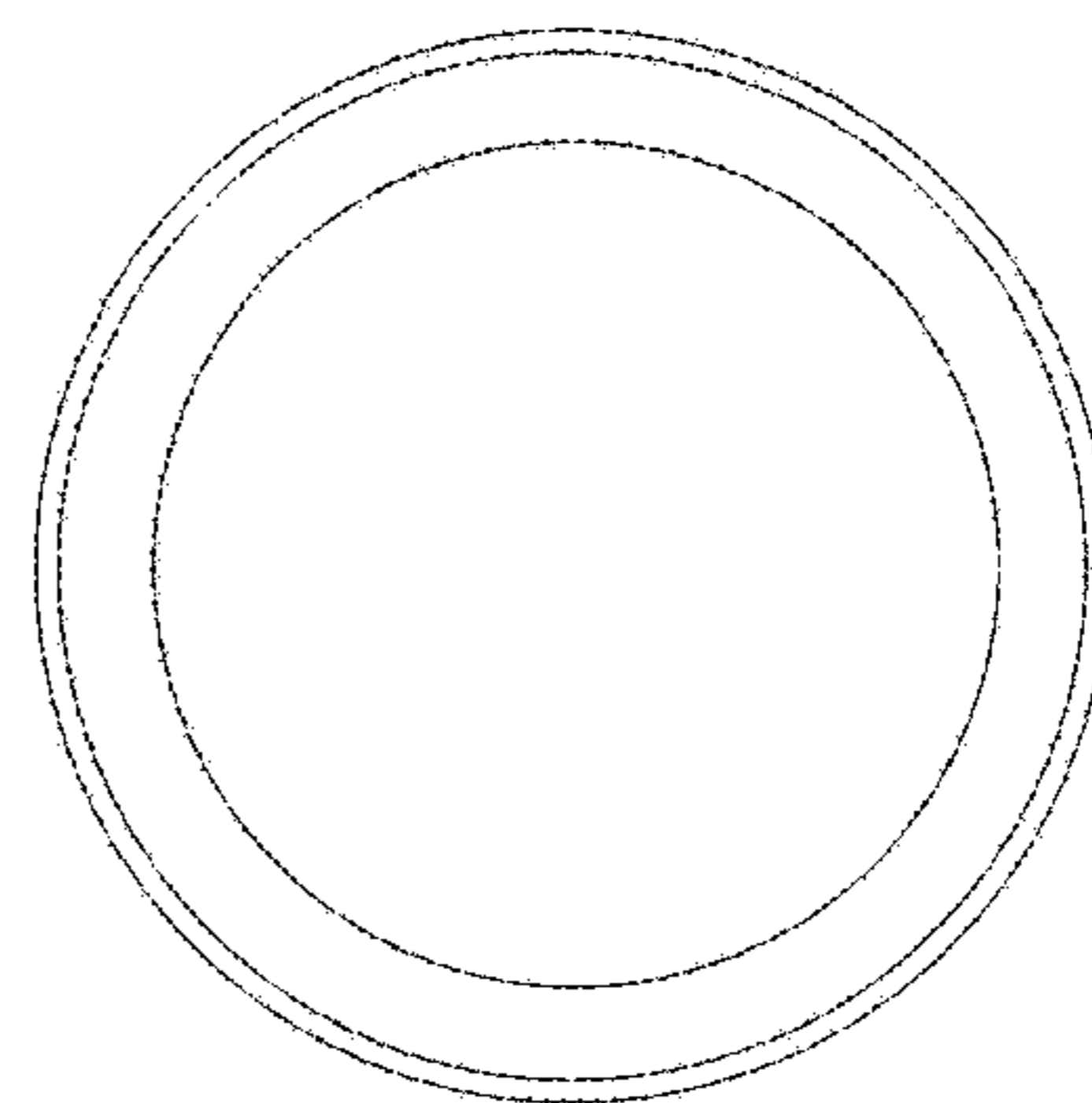


FIG. 13

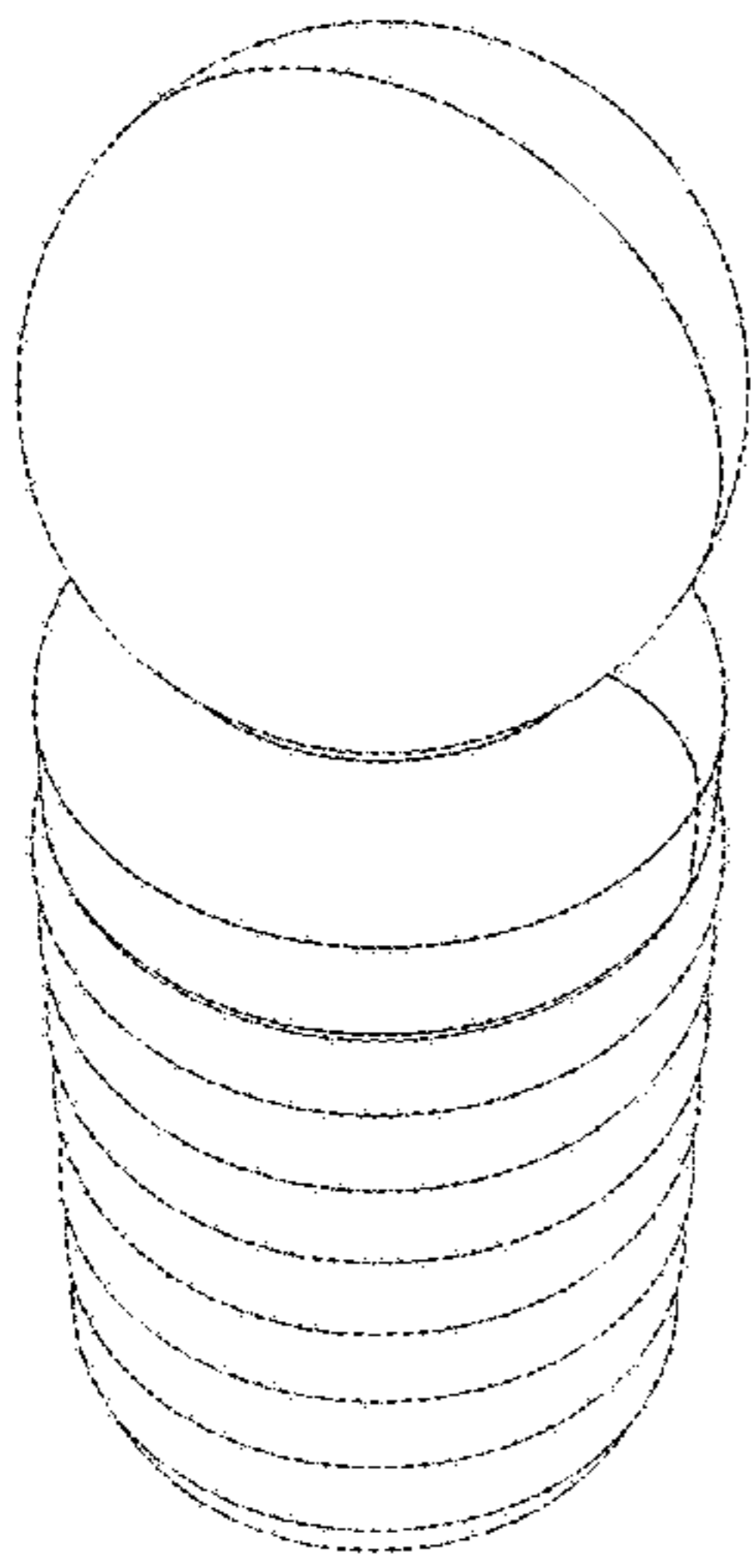


FIG. 14

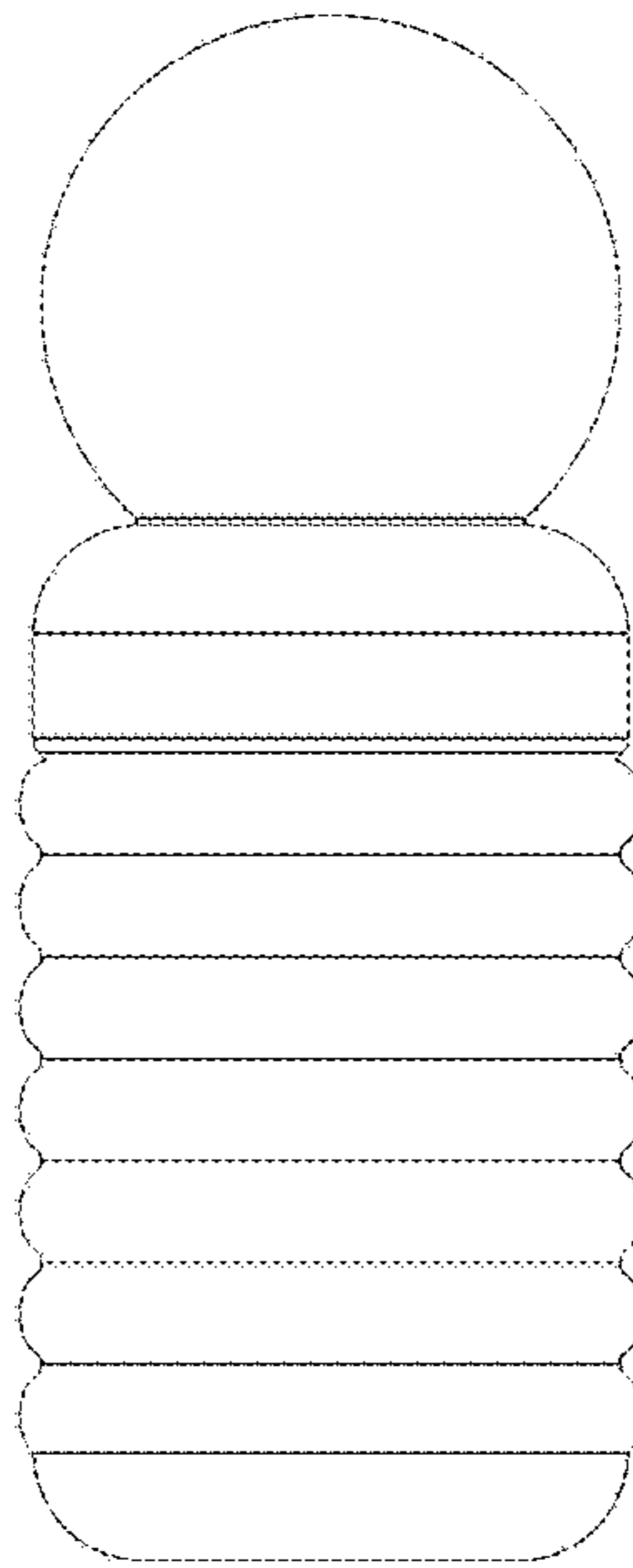


FIG. 15

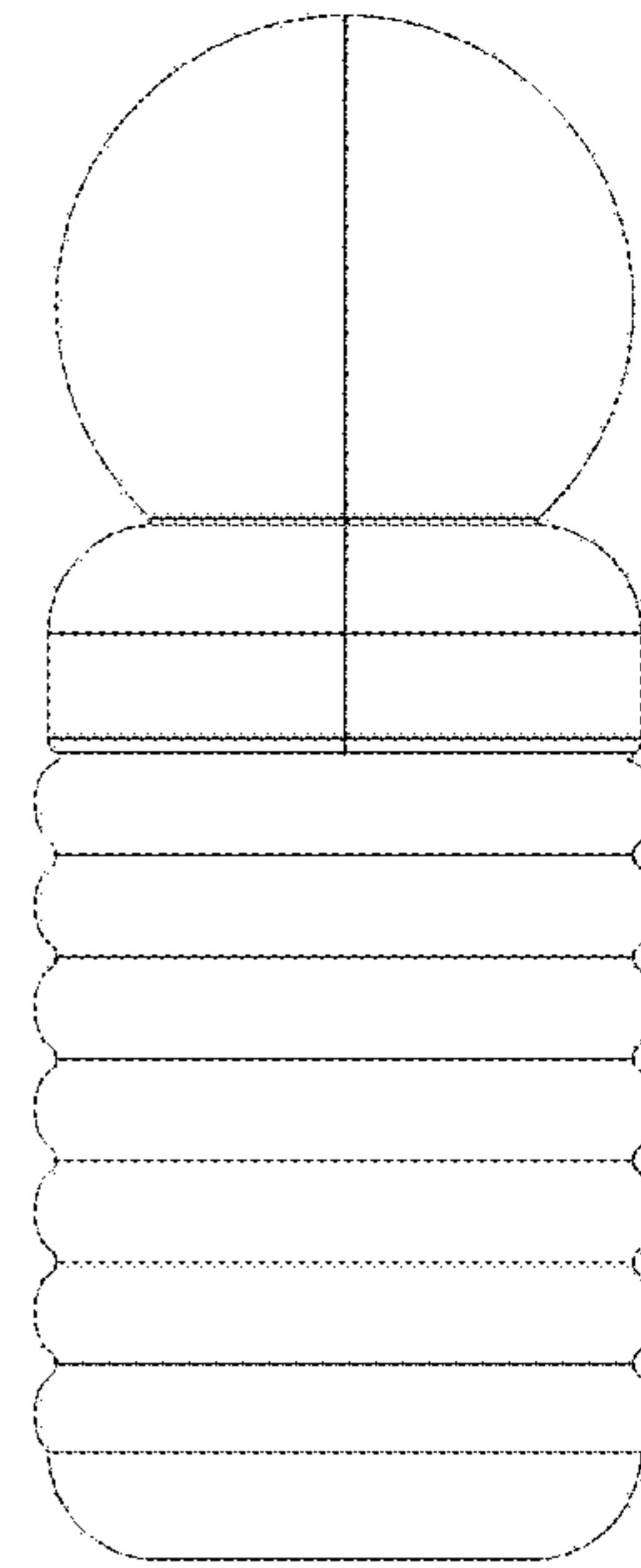


FIG. 16

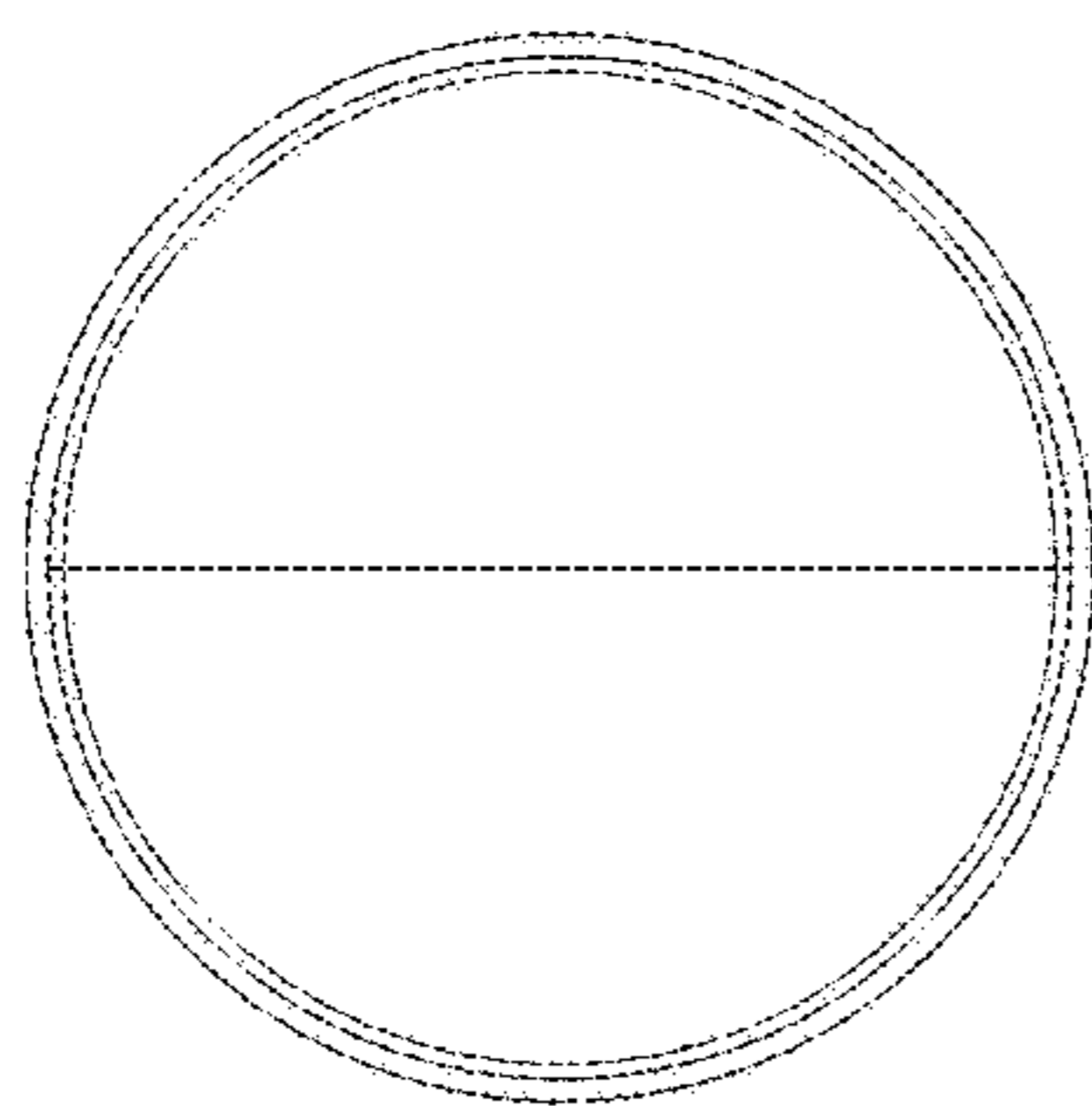


FIG. 17

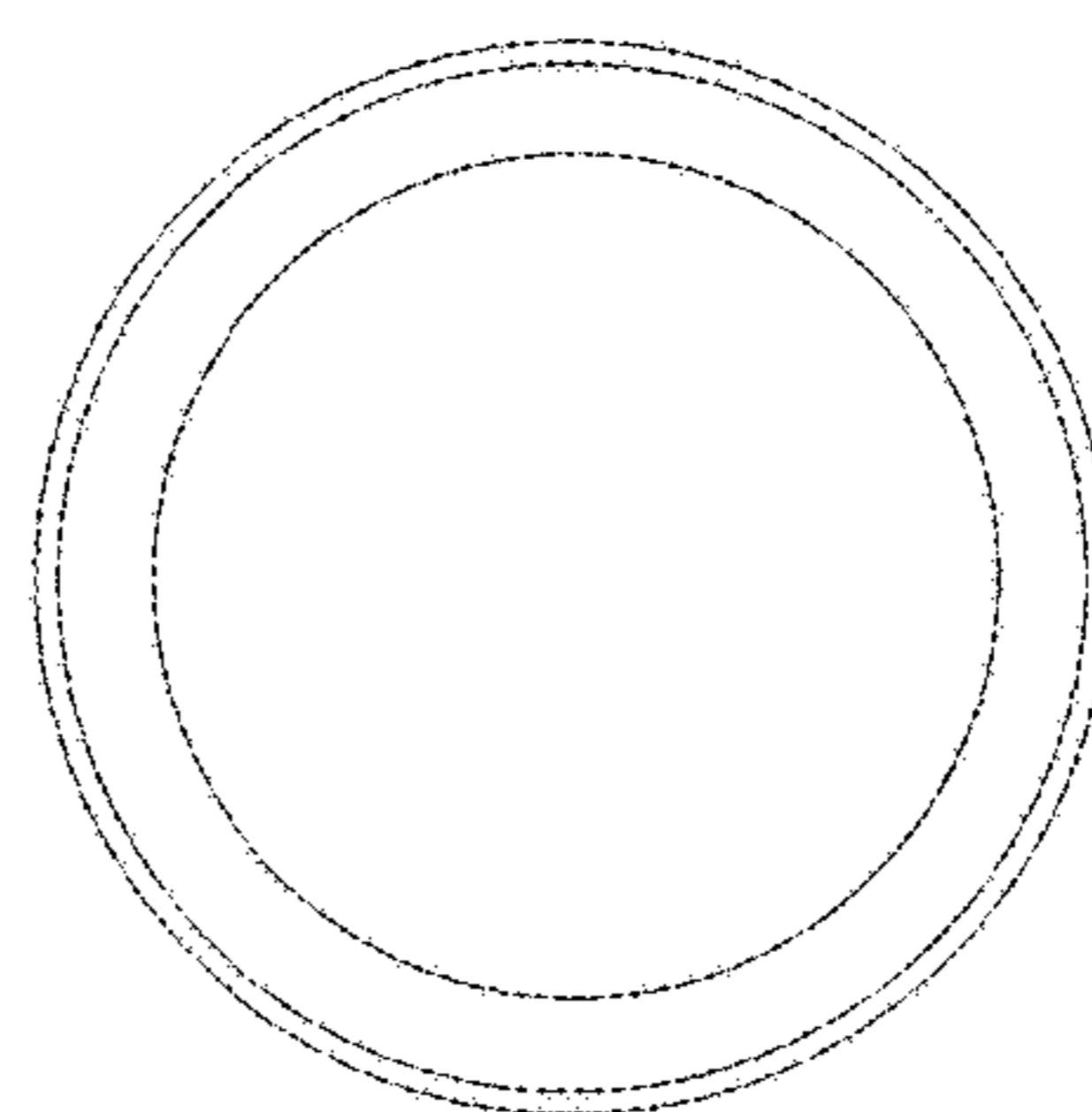


FIG. 18