



US00D822122S

(12) **United States Design Patent** (10) **Patent No.:** **US D822,122 S**
Bilezikian et al. (45) **Date of Patent:** **** Jul. 3, 2018**

(54) **SET OF BUILDING BLOCKS**

(71) Applicant: **Guidecraft, Inc.**, Tuxedo, NY (US)

(72) Inventors: **Gary L. Bilezikian**, Warwick, NY (US); **Shannon Moore**, Monroe, NY (US)

(73) Assignee: **Guidecraft, Inc.**, Tuxedo, NY (US)

(**) Term: **15 Years**

(21) Appl. No.: **29/597,131**

(22) Filed: **Mar. 14, 2017**

(51) **LOC (11) Cl.** **21-01**

(52) **U.S. Cl.**
USPC **D21/484; D21/503**

(58) **Field of Classification Search**
USPC D21/333, 373, 386, 389, 404, 468, 470,
D21/471, 475, 484-505

(Continued)

(56) **References Cited**

U.S. PATENT DOCUMENTS

3,310,906 A * 3/1967 Glukes A63H 33/065
405/16

D414,276 S * 9/1999 Bruno D21/488
(Continued)

Primary Examiner — Cynthia M Chin

(74) *Attorney, Agent, or Firm* — Richard W. James

(57) **CLAIM**

The ornamental design for a set of building blocks, as shown and described.

DESCRIPTION

FIG. 1 is a perspective view of the set of building blocks of the design;

FIG. 2 is an enlarged-scale perspective view of a first block of the set of building blocks in accordance with the design;

FIG. 3 is an enlarged-scale right side elevational view of the first block, the left side elevational view being identical;

FIG. 4 is an enlarged-scale top plan view of the first block, the bottom plan view being identical;

FIG. 5 is an enlarged-scale front elevational view of the first block, the rear elevational view being identical;

FIG. 6 is an enlarged-scale perspective view of a second block of the set of building blocks in accordance with the design;

FIG. 7 is an enlarged-scale right side elevational view of the second block, the left side elevational view being identical;

FIG. 8 is an enlarged-scale top plan view of the second block, the bottom plan view being identical;

FIG. 9 is an enlarged-scale front elevational view of the second block, the rear elevational view being identical;

FIG. 10 is an enlarged-scale perspective view of a third block of the set of building blocks in accordance with the design;

FIG. 11 is an enlarged-scale right side elevational view of the third block, the left side elevational view being identical;

FIG. 12 is an enlarged-scale top plan view of the third block, the bottom plan view being identical;

FIG. 13 is an enlarged-scale front elevational view of the third block, the rear elevational view being identical;

FIG. 14 is an enlarged-scale perspective view of a fourth block of the set of building blocks in accordance with the design;

FIG. 15 is an enlarged-scale right side elevational view of the fourth block, the left side elevational view being identical;

FIG. 16 is an enlarged-scale top plan view of the fourth block, the bottom plan view being identical;

FIG. 17 is an enlarged-scale front elevational view of the fourth block, the rear elevational view being identical;

FIG. 18 is a first perspective view of a fifth block of the set of building blocks in accordance with the design;

FIG. 19 is an enlarged-scale second perspective view of the fifth block;

FIG. 20 is an enlarged-scale right side elevational view of the fifth block, the left side elevational view being identical;

FIG. 21 is an enlarged-scale front elevational view of the fifth block, the rear elevational view being identical;

FIG. 22 is an enlarged-scale top plan view of the fifth block;

(Continued)

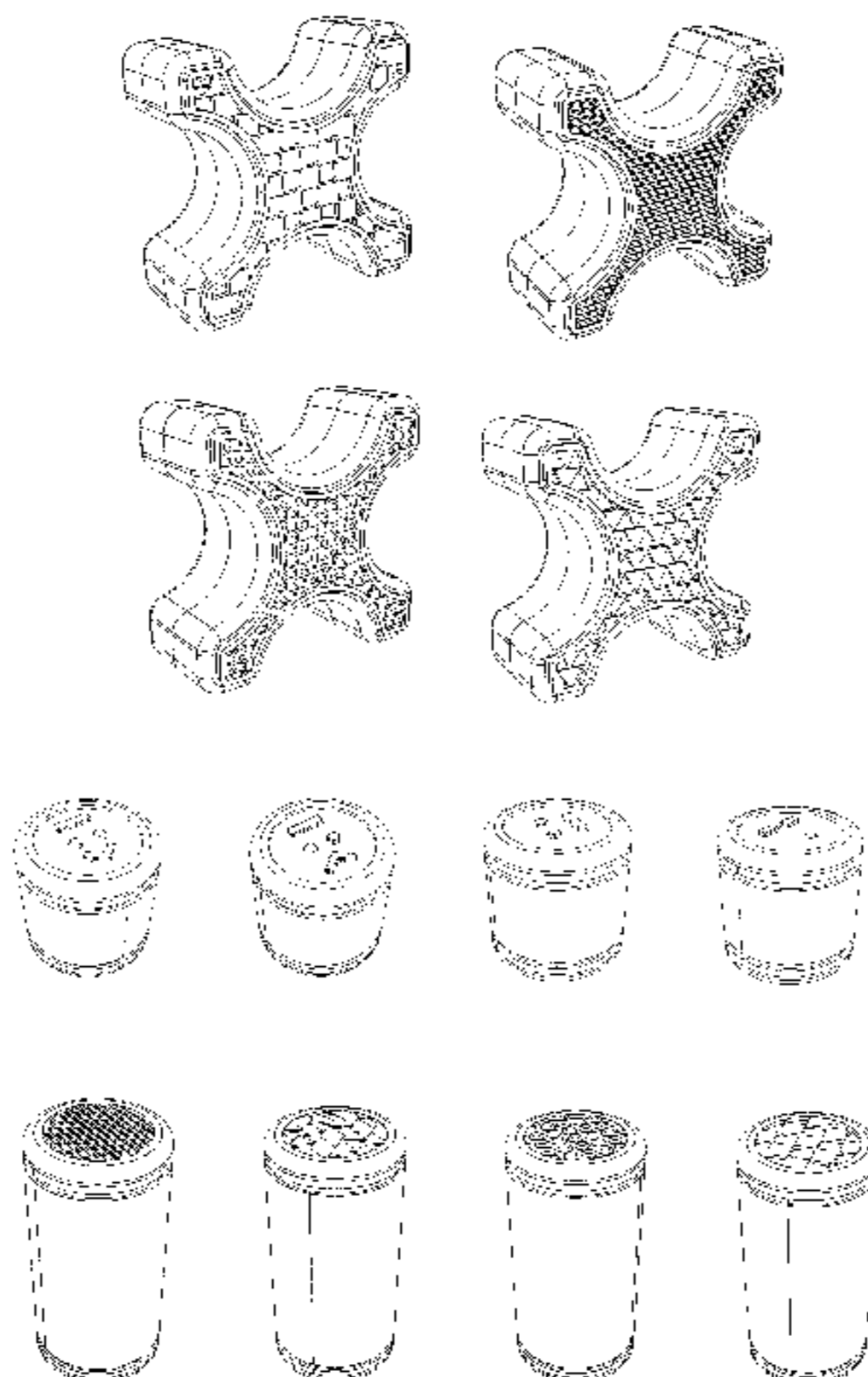


FIG. 23 is an enlarged-scale bottom plan view of the fifth block;
 FIG. 24 is an enlarged-scale first perspective view of a sixth block of the set of building blocks in accordance with the design;
 FIG. 25 is an enlarged-scale second perspective view of the sixth block;
 FIG. 26 is an enlarged-scale right side elevational view of the sixth block, the left side elevational view being identical;
 FIG. 27 is an enlarged-scale front elevational view of the sixth block, the rear elevational view being identical;
 FIG. 28 is an enlarged-scale top plan view of the sixth block;
 FIG. 29 is an enlarged-scale bottom plan view of the sixth block;
 FIG. 30 is an enlarged-scale first perspective view of a seventh block of the set of building blocks in accordance with the design;
 FIG. 31 is an enlarged-scale second perspective view of the seventh block;
 FIG. 32 is an enlarged-scale right side elevational view of the seventh block, the left side elevational view being identical;
 FIG. 33 is an enlarged-scale front elevational view of the seventh block, the rear elevational view being identical;
 FIG. 34 is an enlarged-scale top plan view of the seventh block;
 FIG. 35 is an enlarged-scale bottom plan view of the seventh block;
 FIG. 36 is an enlarged-scale first perspective view of an eighth block of the set of building blocks in accordance with the design;
 FIG. 37 is an enlarged-scale second perspective view of the eighth block;
 FIG. 38 is an enlarged-scale right side elevational view of the eighth block, the left side elevational view being identical;
 FIG. 39 is an enlarged-scale front elevational view of the eighth block, the rear elevational view being identical;
 FIG. 40 is an enlarged-scale top plan view of the eighth block;
 FIG. 41 is an enlarged-scale bottom plan view of the eighth block;
 FIG. 42 is an enlarged-scale perspective view of a ninth block of the set of building blocks in accordance with the design;
 FIG. 43 is an enlarged-scale front elevational view of the ninth block, the rear elevational view being identical;
 FIG. 44 is an enlarged-scale right side elevational view of the ninth block, the left side elevational view being identical;
 FIG. 45 is an enlarged-scale top plan view of the eighth block, the bottom plan view being identical;
 FIG. 46 is an enlarged-scale first perspective view of a tenth block of the set of building blocks in accordance with the design;
 FIG. 47 is an enlarged-scale second perspective view of the tenth block;
 FIG. 48 is an enlarged-scale front elevational view of the tenth block, the rear elevational view being identical;

FIG. 49 is an enlarged-scale right side elevational view of the tenth block, the left side elevational view being identical;
 FIG. 50 is an enlarged-scale top plan view of the tenth block, the bottom plan view being identical;
 FIG. 51 is an enlarged-scale perspective view of an eleventh block of the set of building blocks in accordance with the design;
 FIG. 52 is an enlarged-scale front elevational view of the eleventh block, the rear elevational view being identical;
 FIG. 53 is an enlarged-scale right side elevational view of the eleventh block, the left side elevational view being identical;
 FIG. 54 is an enlarged-scale top plan view of the eleventh block, the bottom plan view being identical;
 FIG. 55 is an enlarged-scale perspective view of a twelfth block of the set of building blocks in accordance with the design;
 FIG. 56 is an enlarged-scale front elevational view of the twelfth block, the rear elevational view being identical;
 FIG. 57 is an enlarged-scale right side elevational view of the twelfth block, the left side elevational view being identical; and,
 FIG. 58 is an enlarged-scale top plan view of the twelfth block, the bottom plan view being identical.
 FIGS. 2-58 are shown separately for ease and clarity of illustration.

1 Claim, 13 Drawing Sheets

(58) **Field of Classification Search**

CPC A63H 33/00; A63H 33/04; A63H 33/06;
 A63H 33/062; A63H 33/08; A63H
 33/082; A63H 33/084; A63H 33/086;
 A63H 33/088; A63H 33/108; A63H
 33/12; A63H 3/16; A63H 3/46; A63F
 9/12; A63F 9/1224

See application file for complete search history.

(56) **References Cited**

U.S. PATENT DOCUMENTS

| | | | | |
|--------------|------|---------|----------------|--------------------------|
| 6,572,429 | B2 * | 6/2003 | Cheung | A63H 33/062 446/120 |
| 6,846,216 | B1 * | 1/2005 | Balanchi | A63H 33/046 273/157 R |
| D572,985 | S * | 7/2008 | Galeano | D8/1 |
| D594,512 | S * | 6/2009 | Richards | D21/484 |
| 7,736,211 | B2 * | 6/2010 | Marzetta | A63H 33/106 446/113 |
| 7,950,191 | B2 * | 5/2011 | Brouwers | E01C 5/20 15/161 |
| D689,558 | S * | 9/2013 | Jensen | D21/487 |
| D773,414 | S * | 12/2016 | Hoffman | D13/183 |
| 2002/0086605 | A1 * | 7/2002 | Cheung | A63H 33/062 446/124 |

* cited by examiner

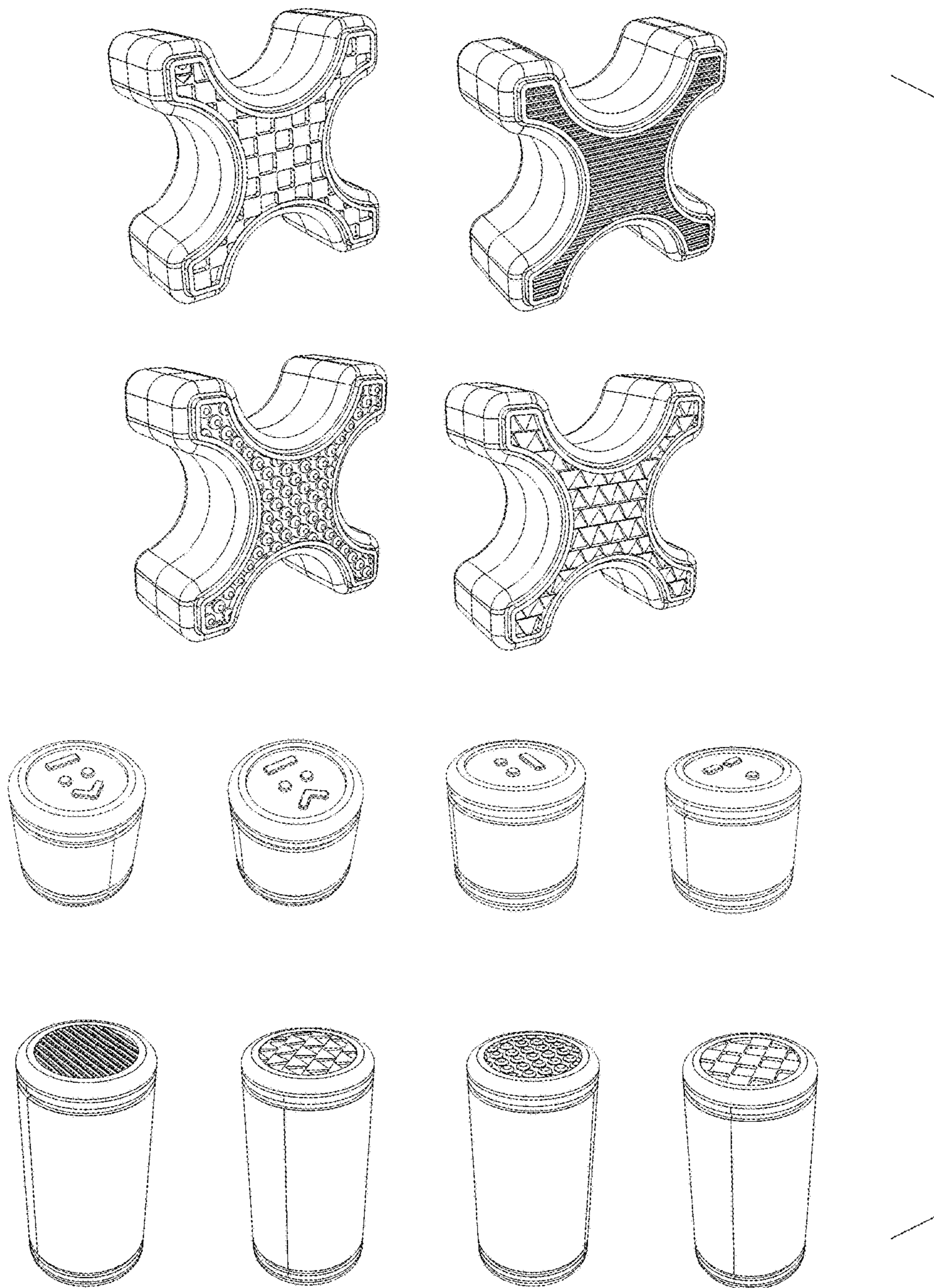


FIG. 1

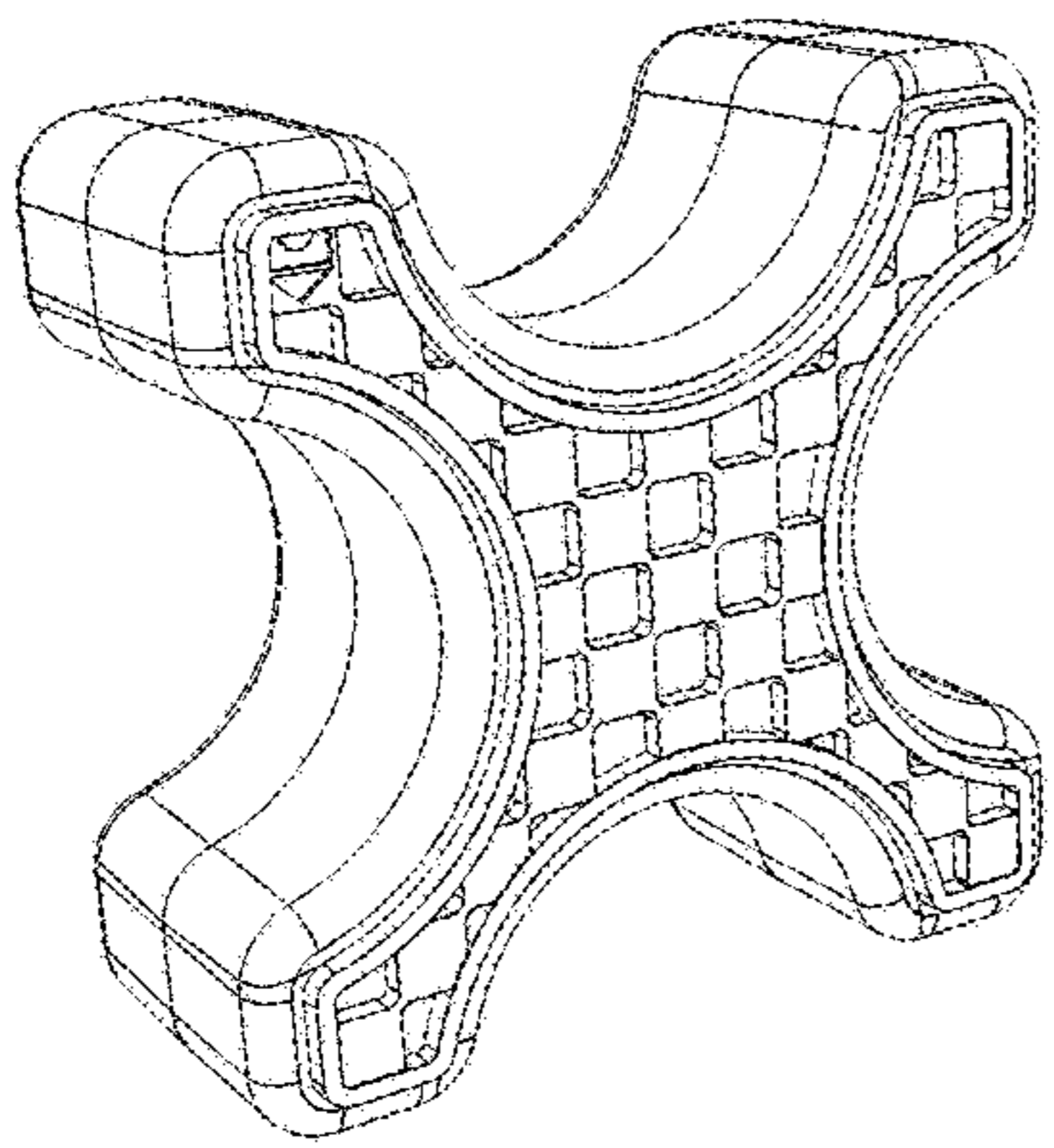


FIG. 2

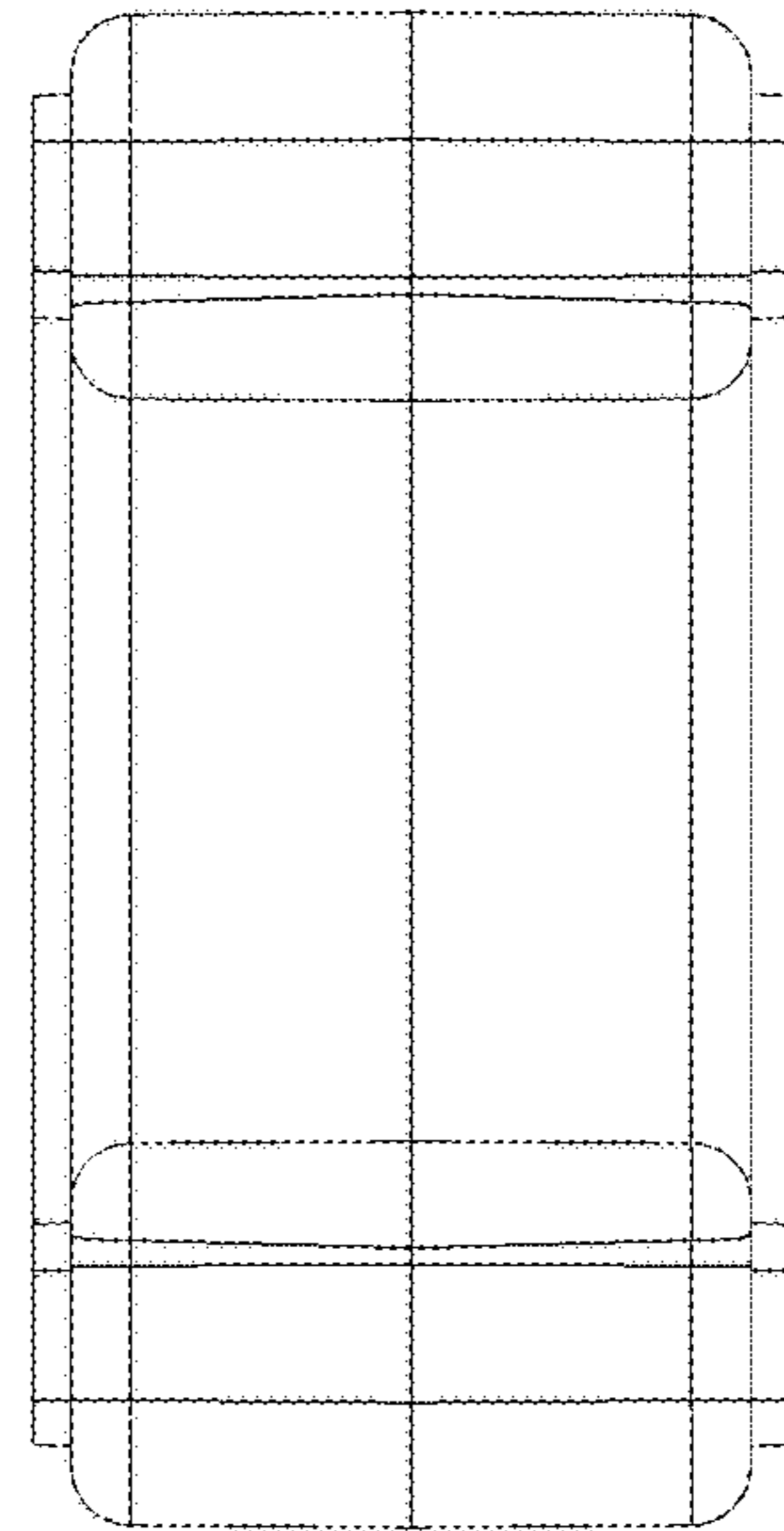


FIG. 3

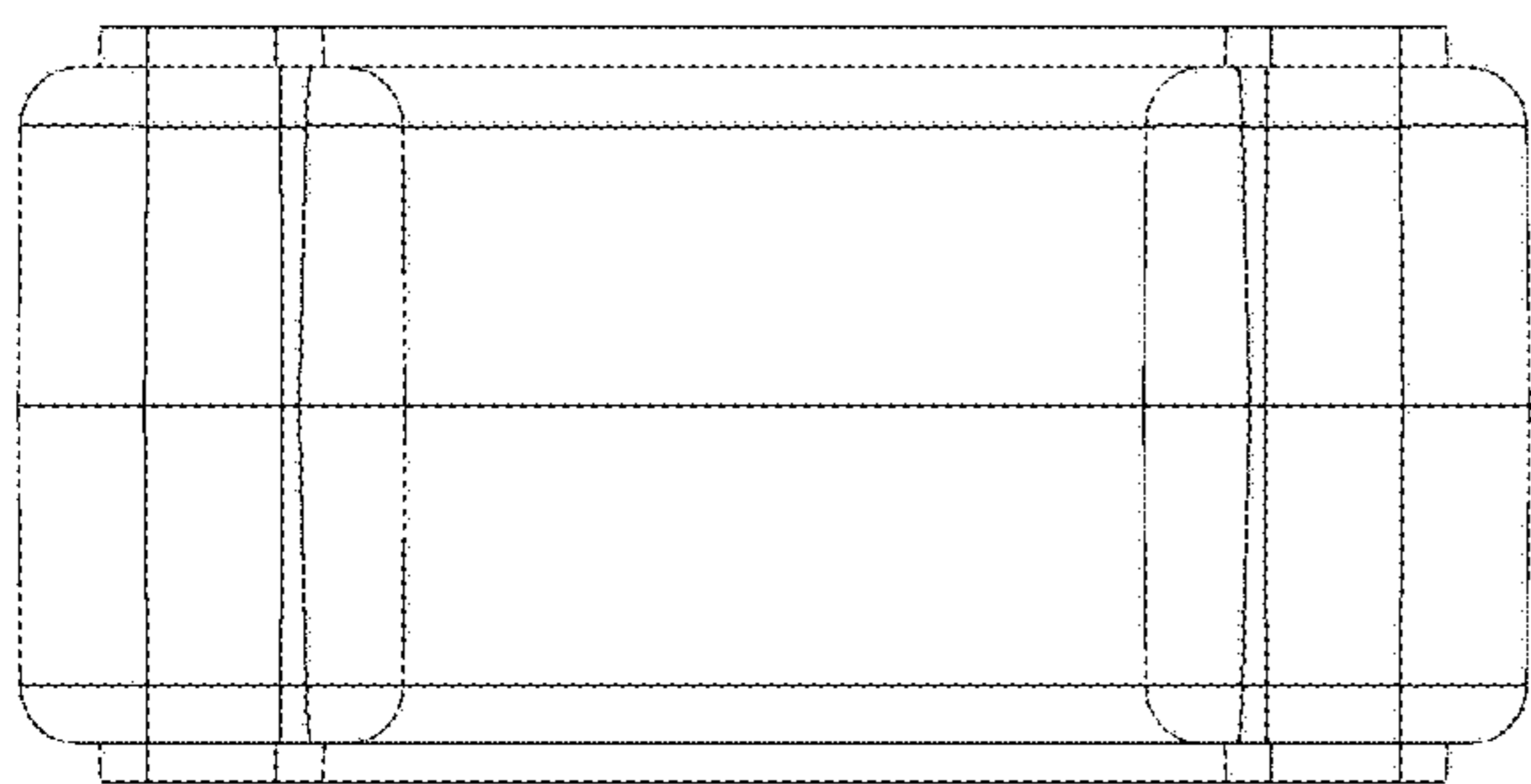


FIG. 4

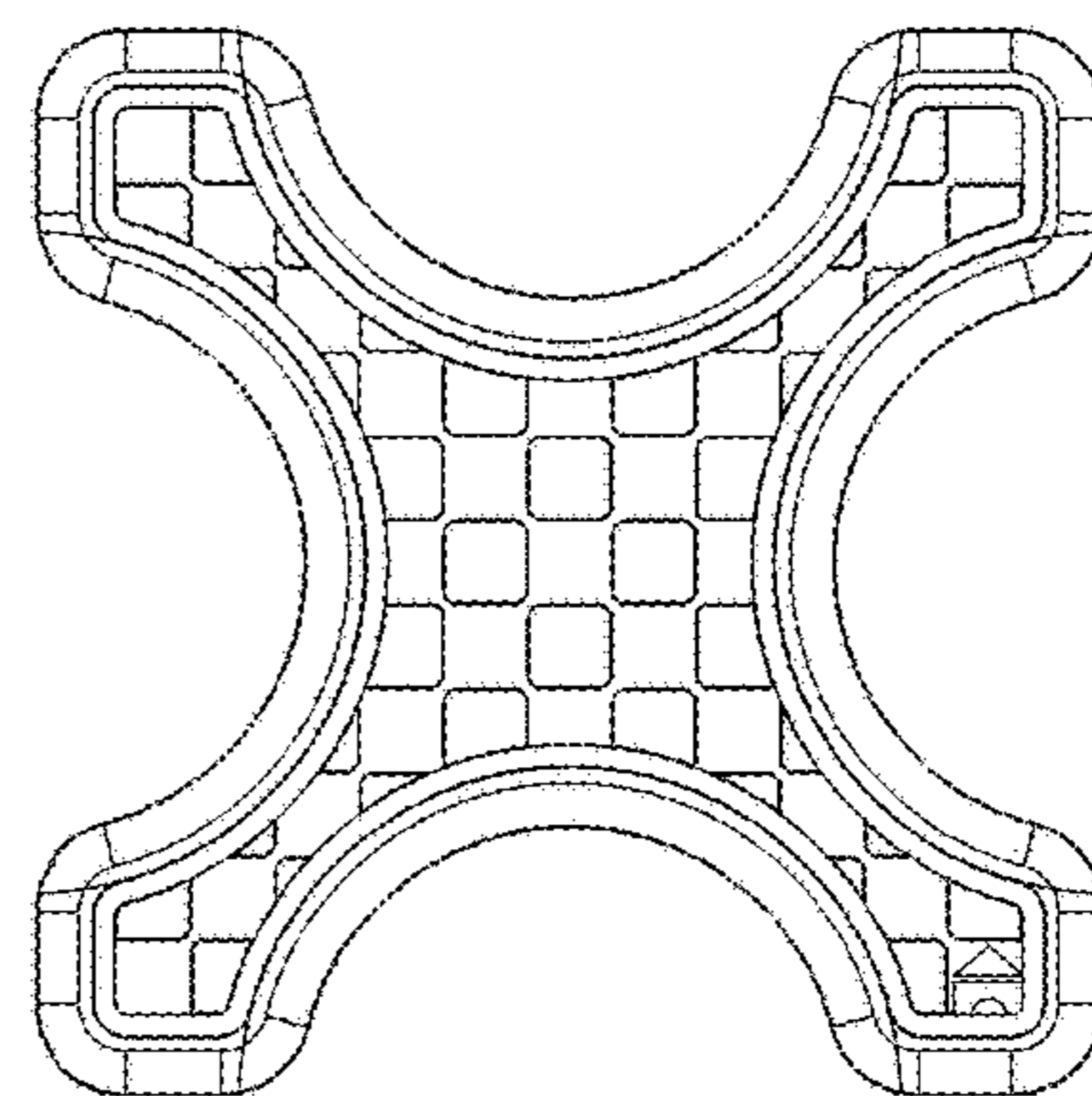


FIG. 5

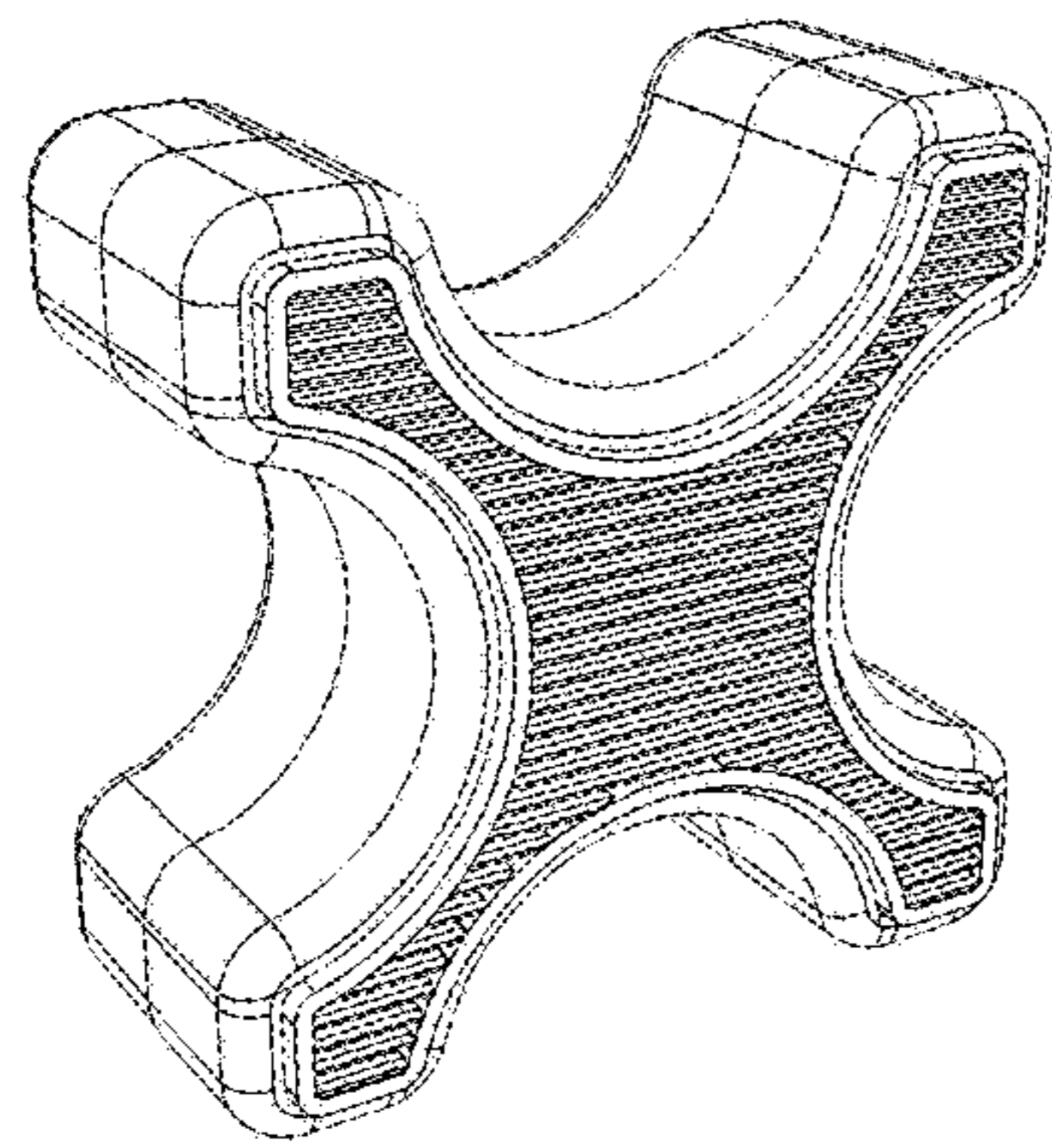


FIG. 6

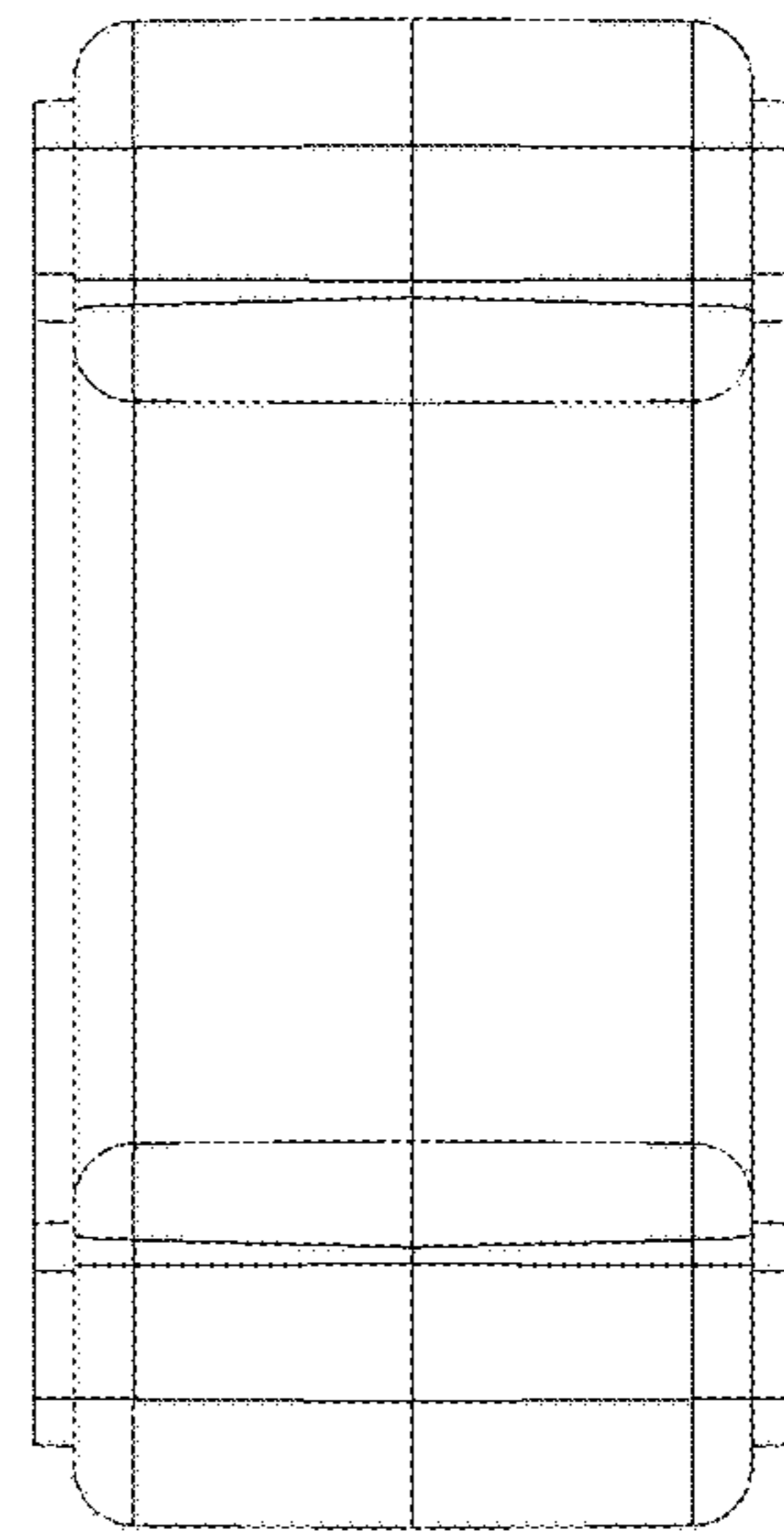


FIG. 7

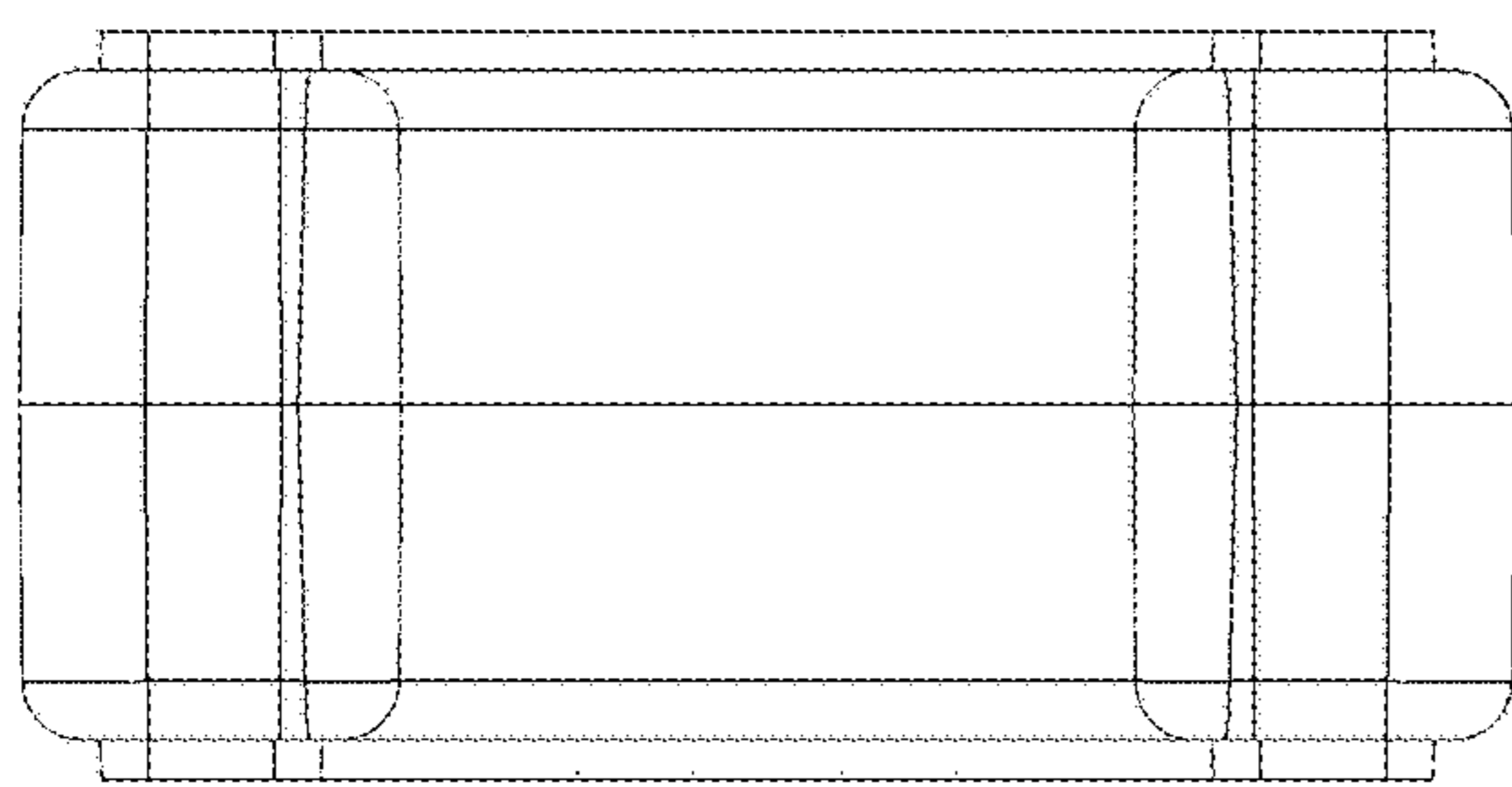


FIG. 8

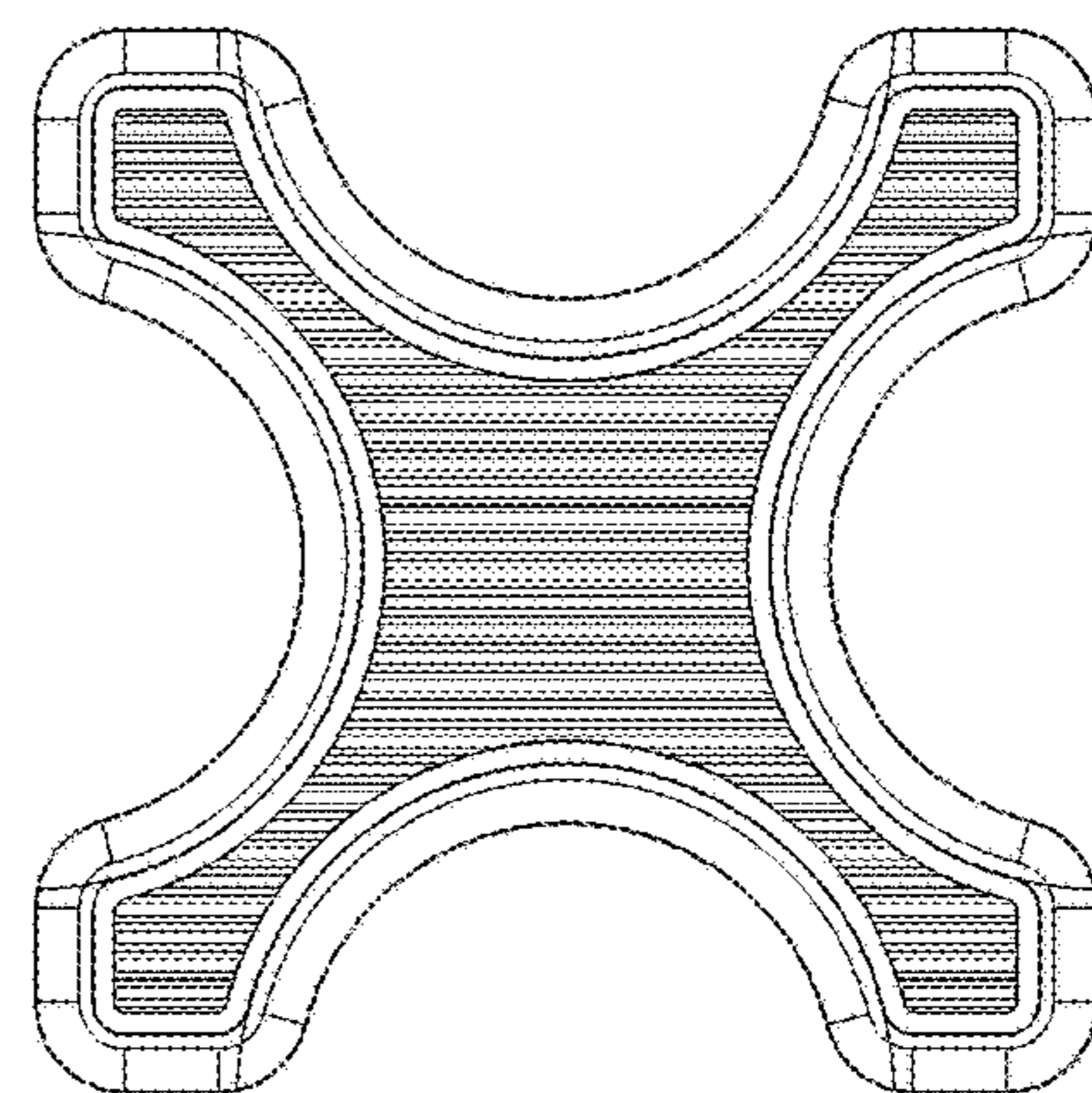


FIG. 9

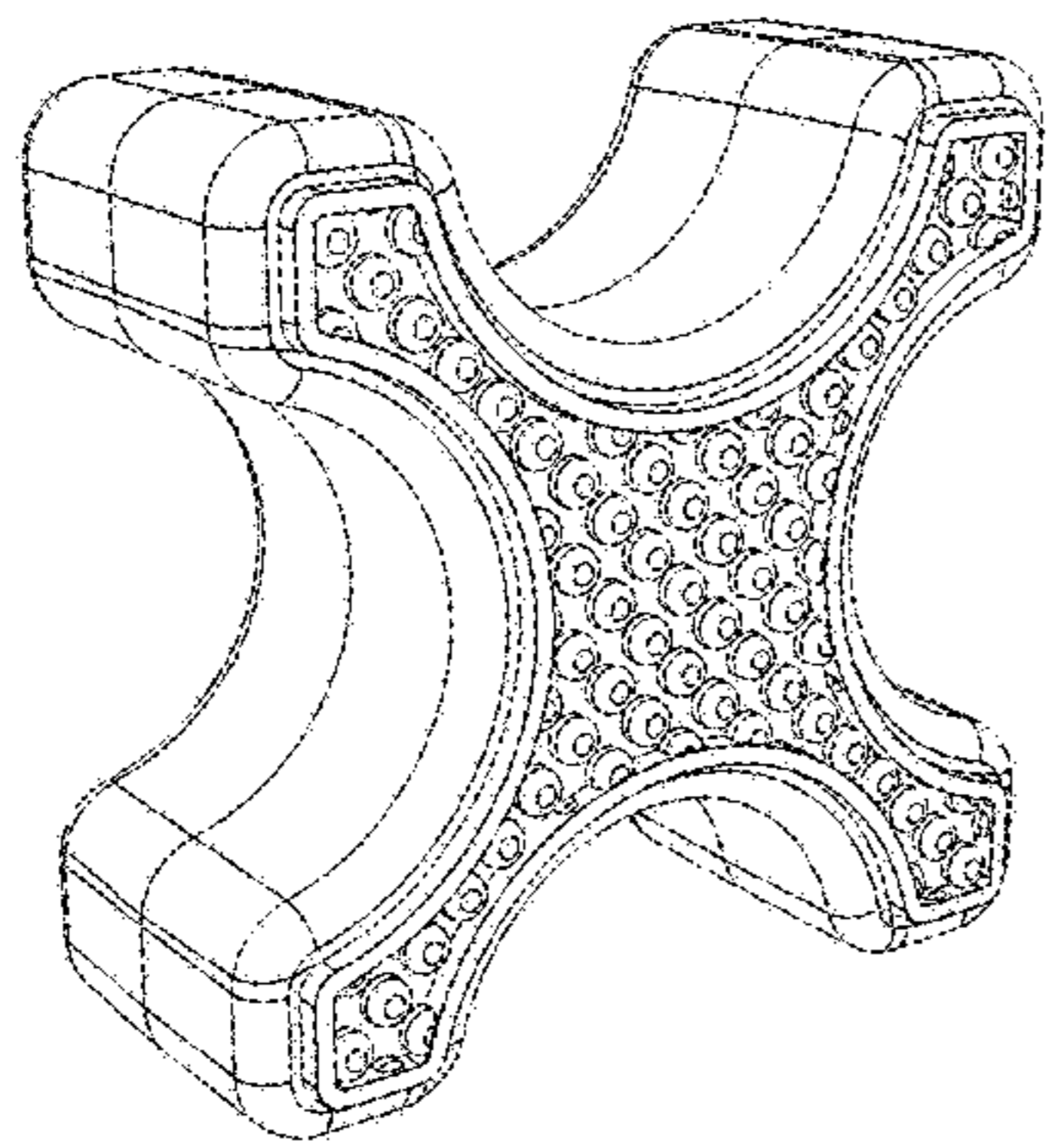


FIG. 10

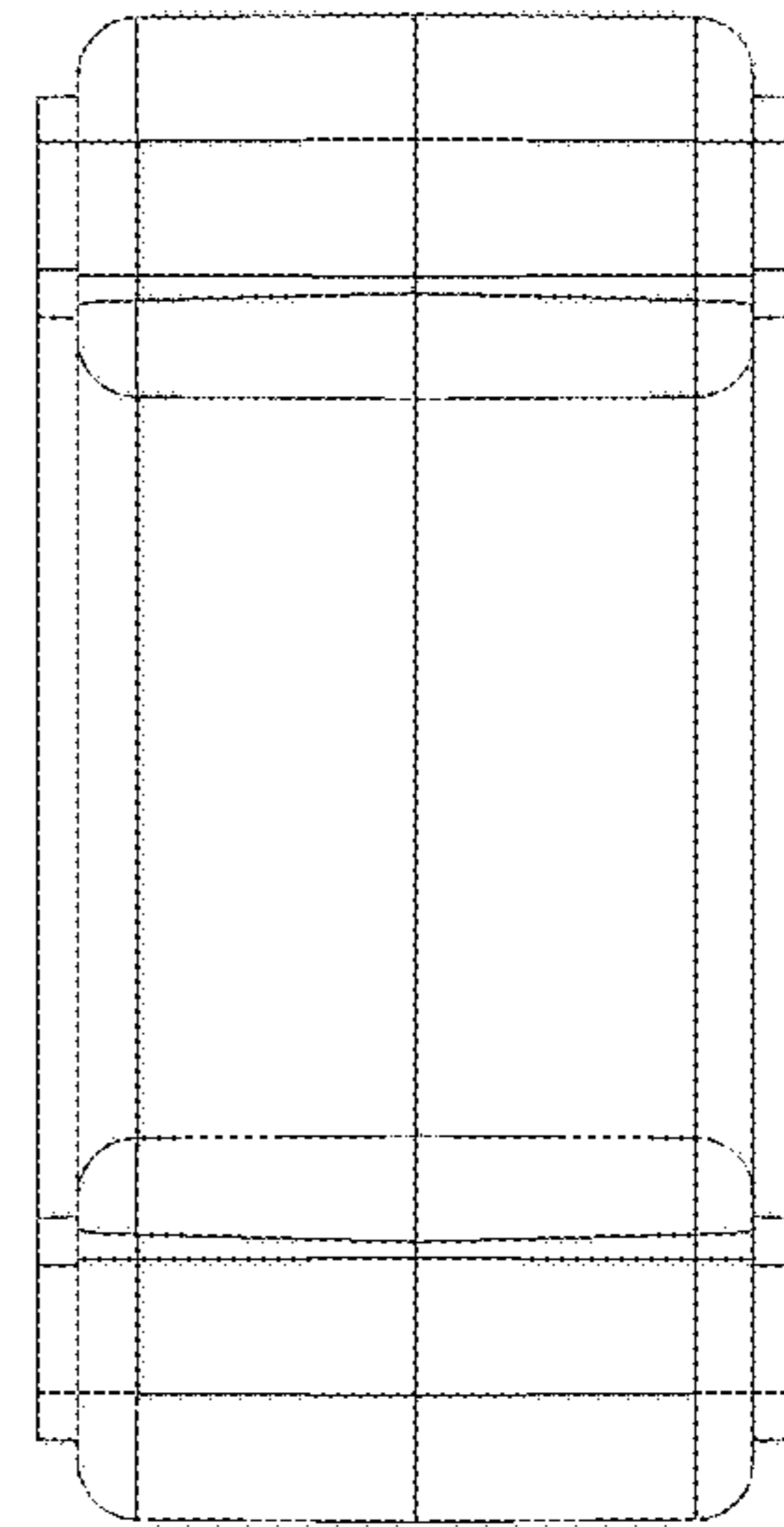


FIG. 11

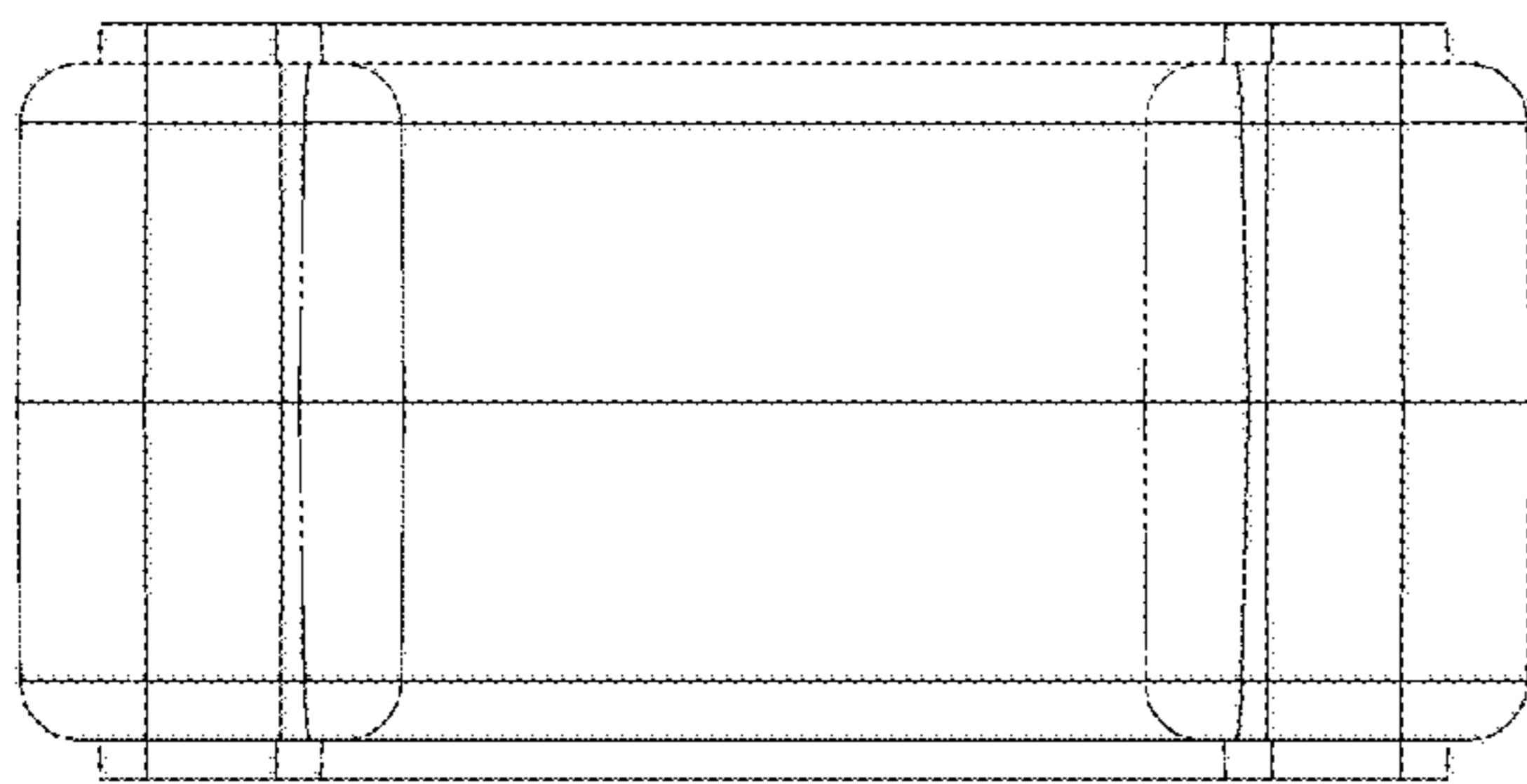


FIG. 12

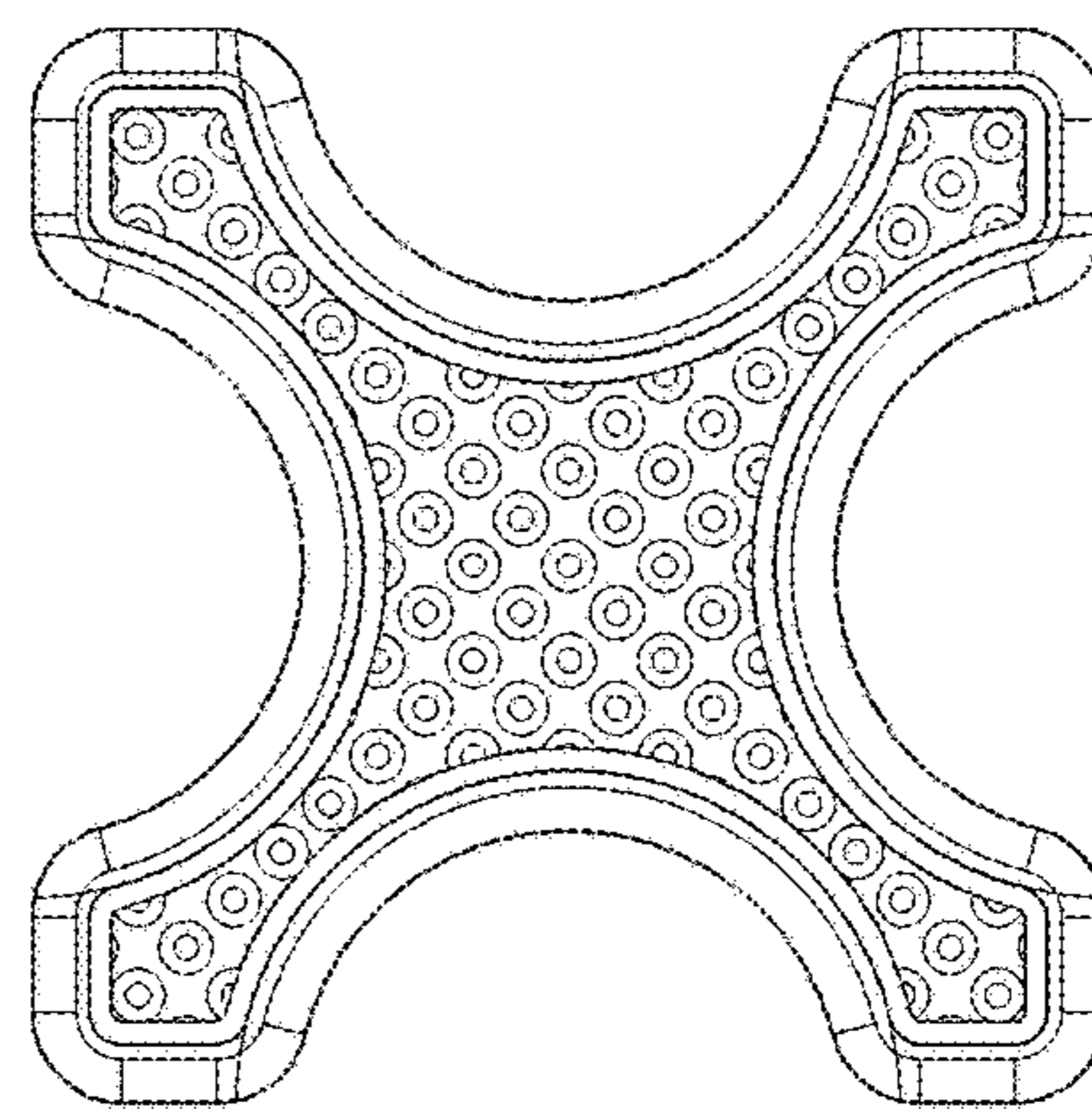


FIG. 13

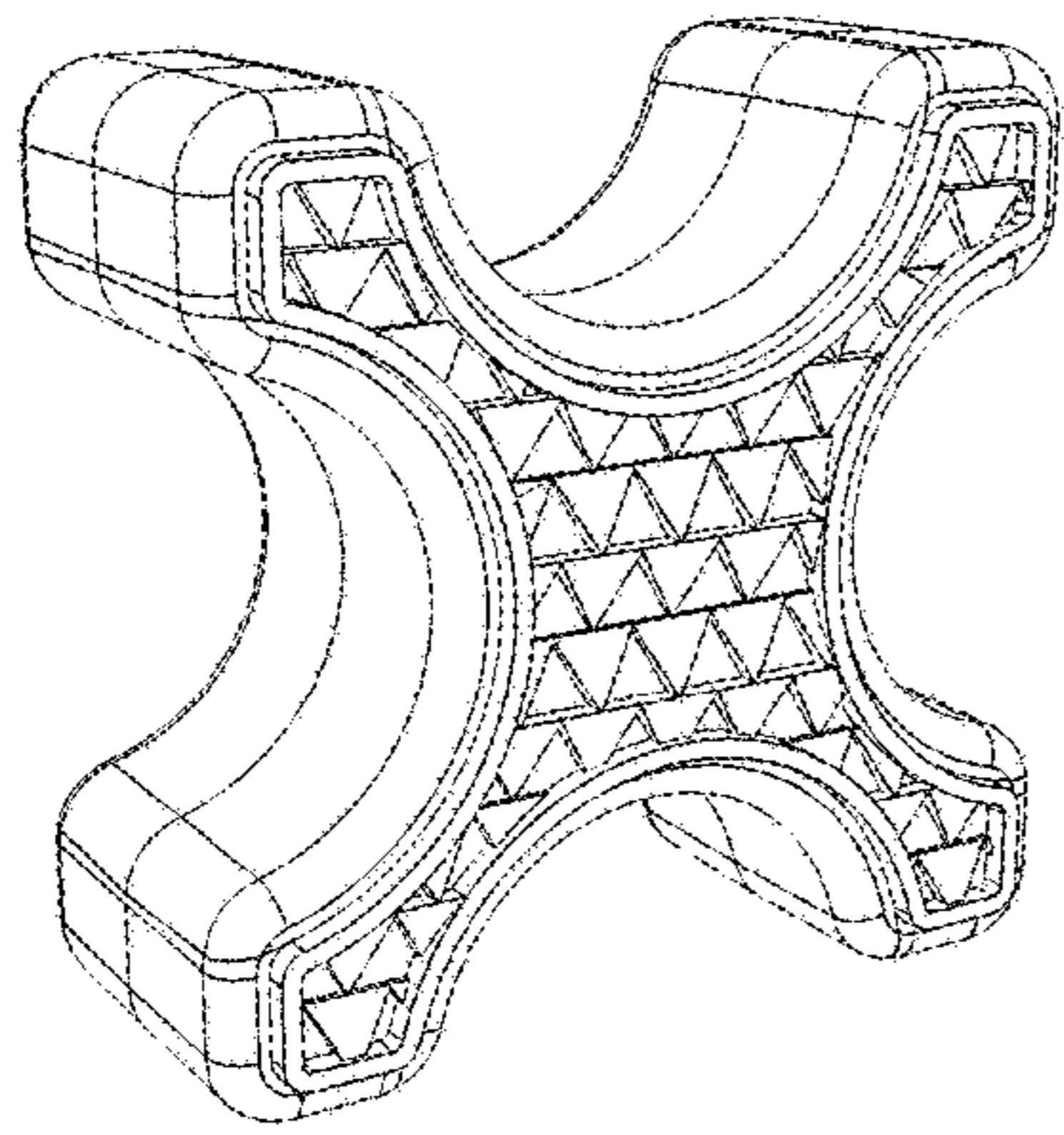


FIG. 14

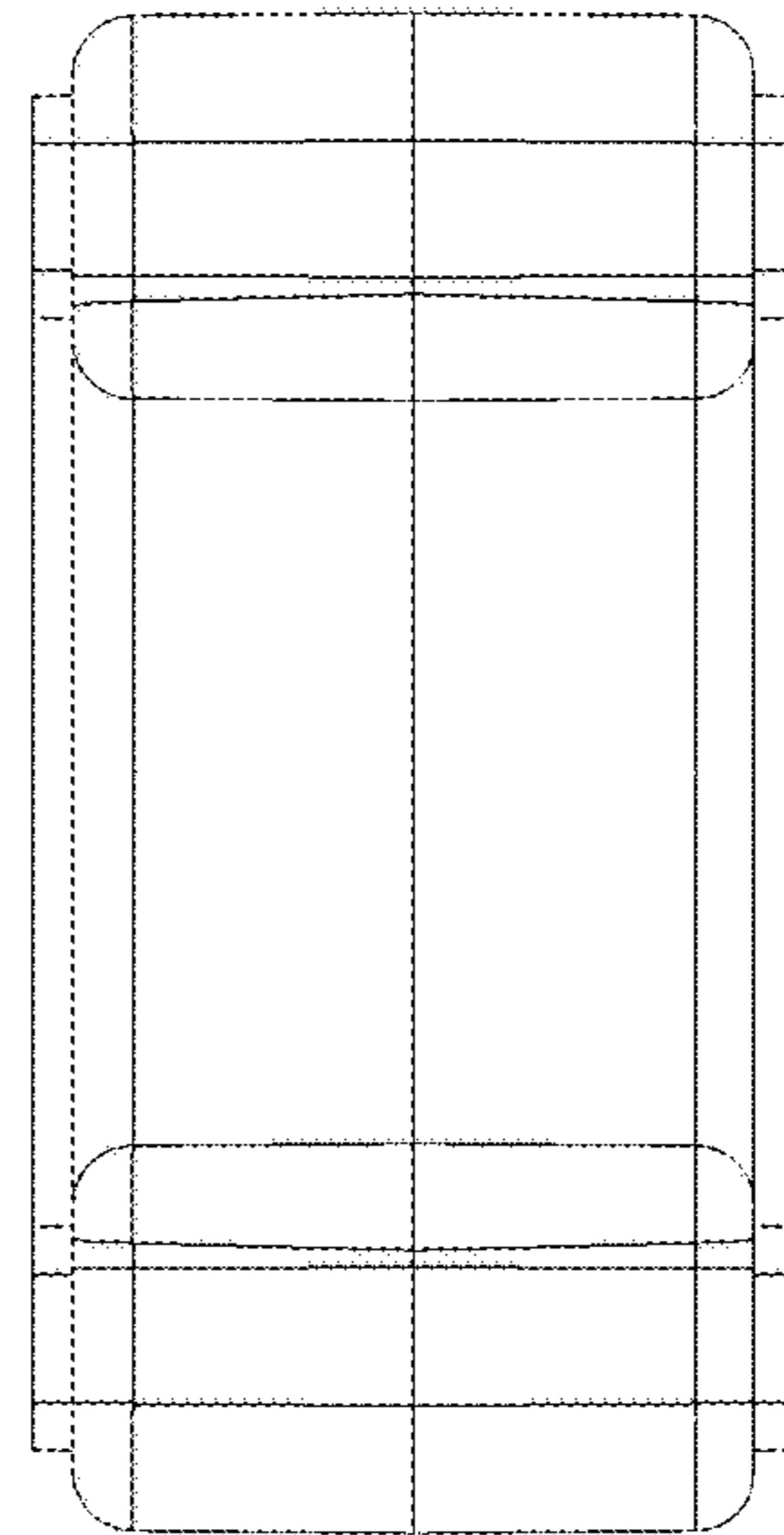


FIG. 15

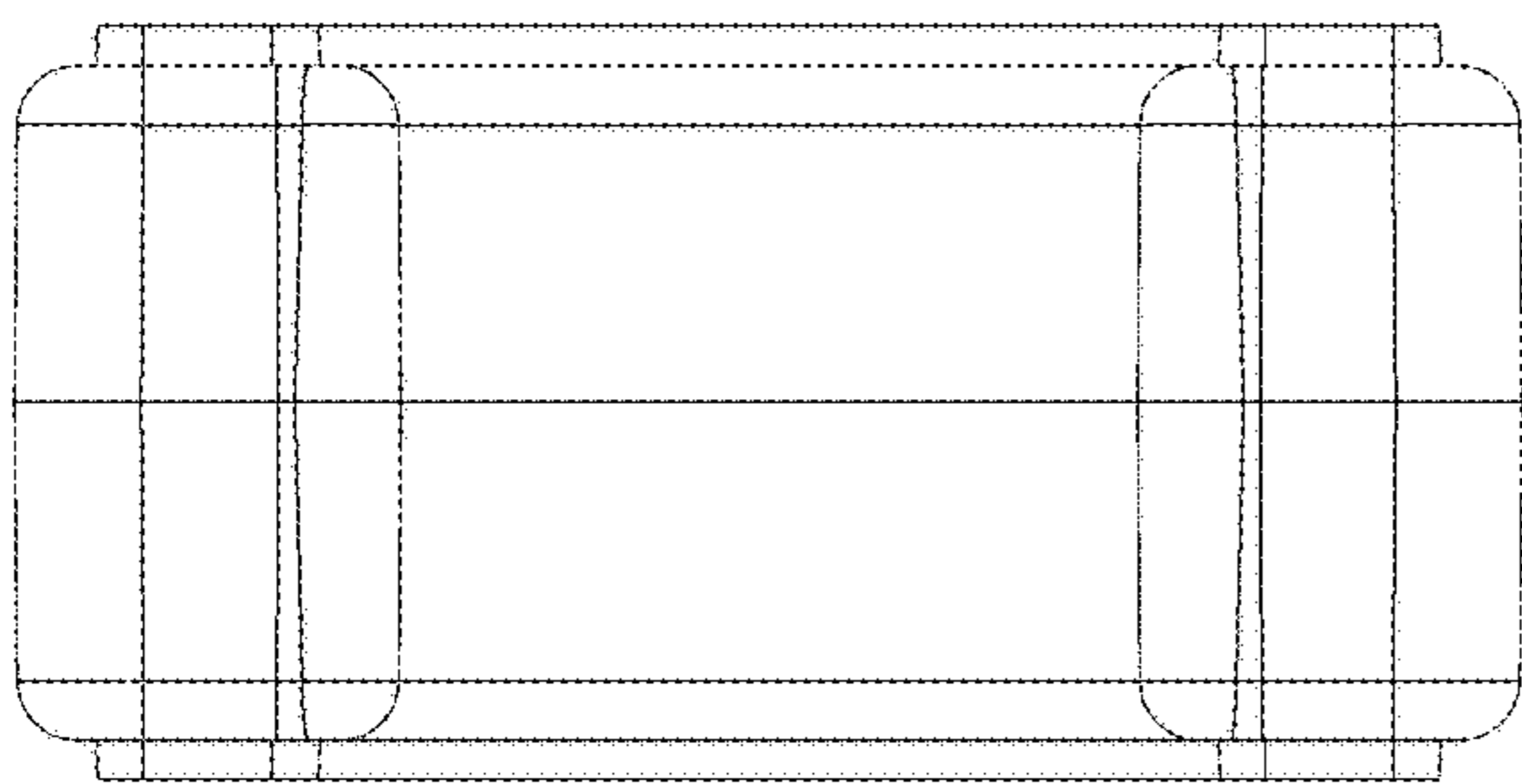


FIG. 16

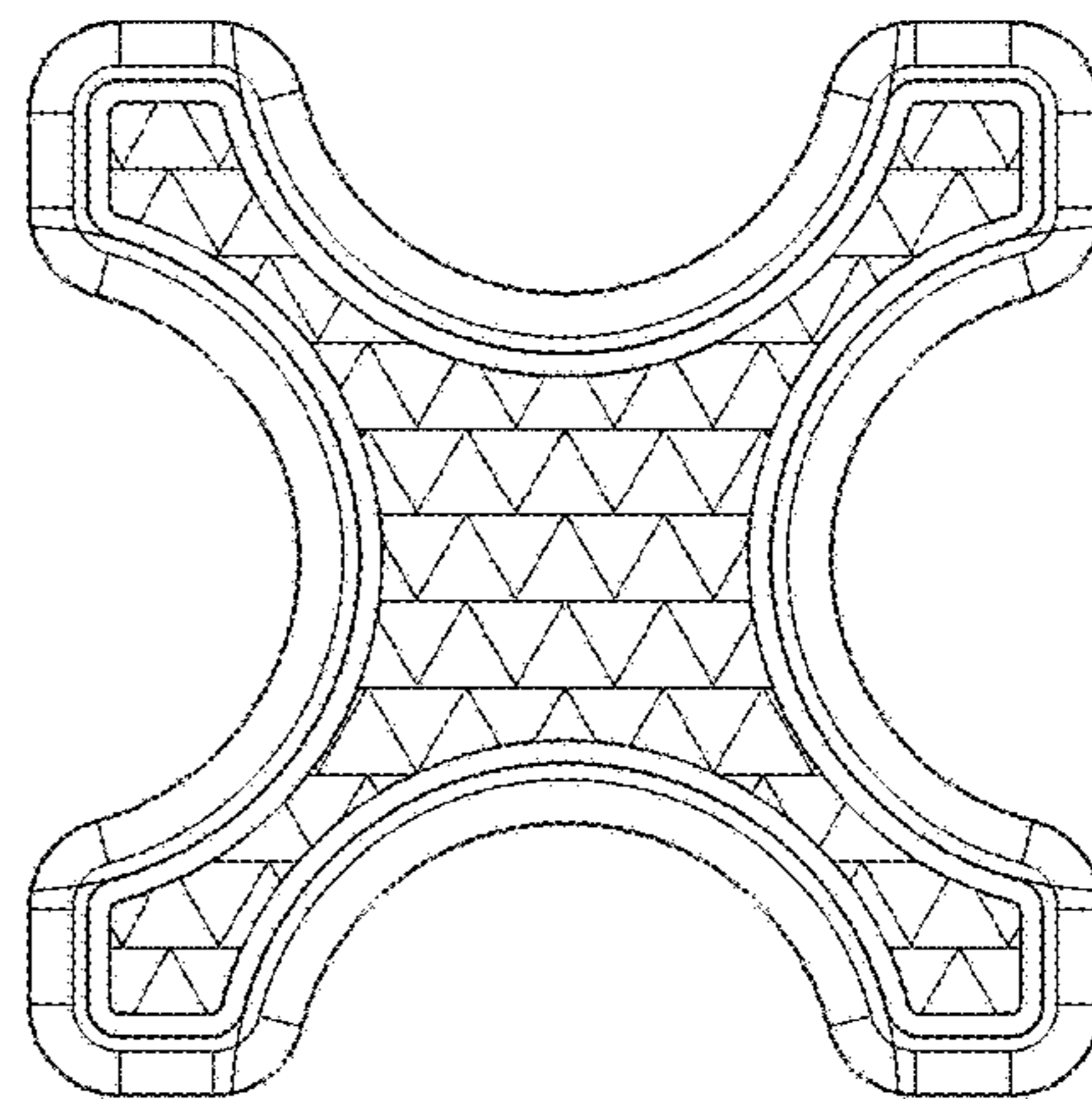


FIG. 17

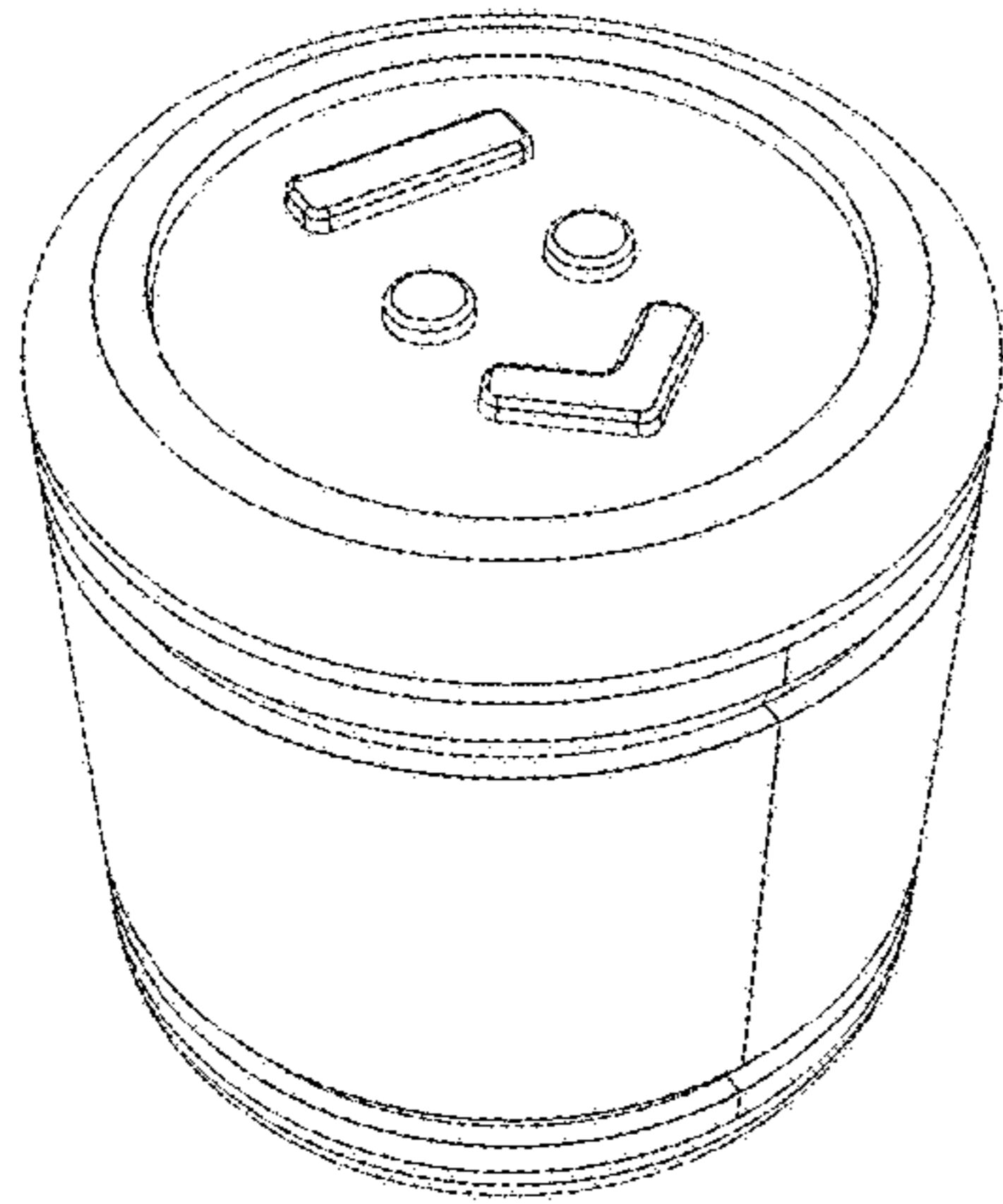


FIG. 18

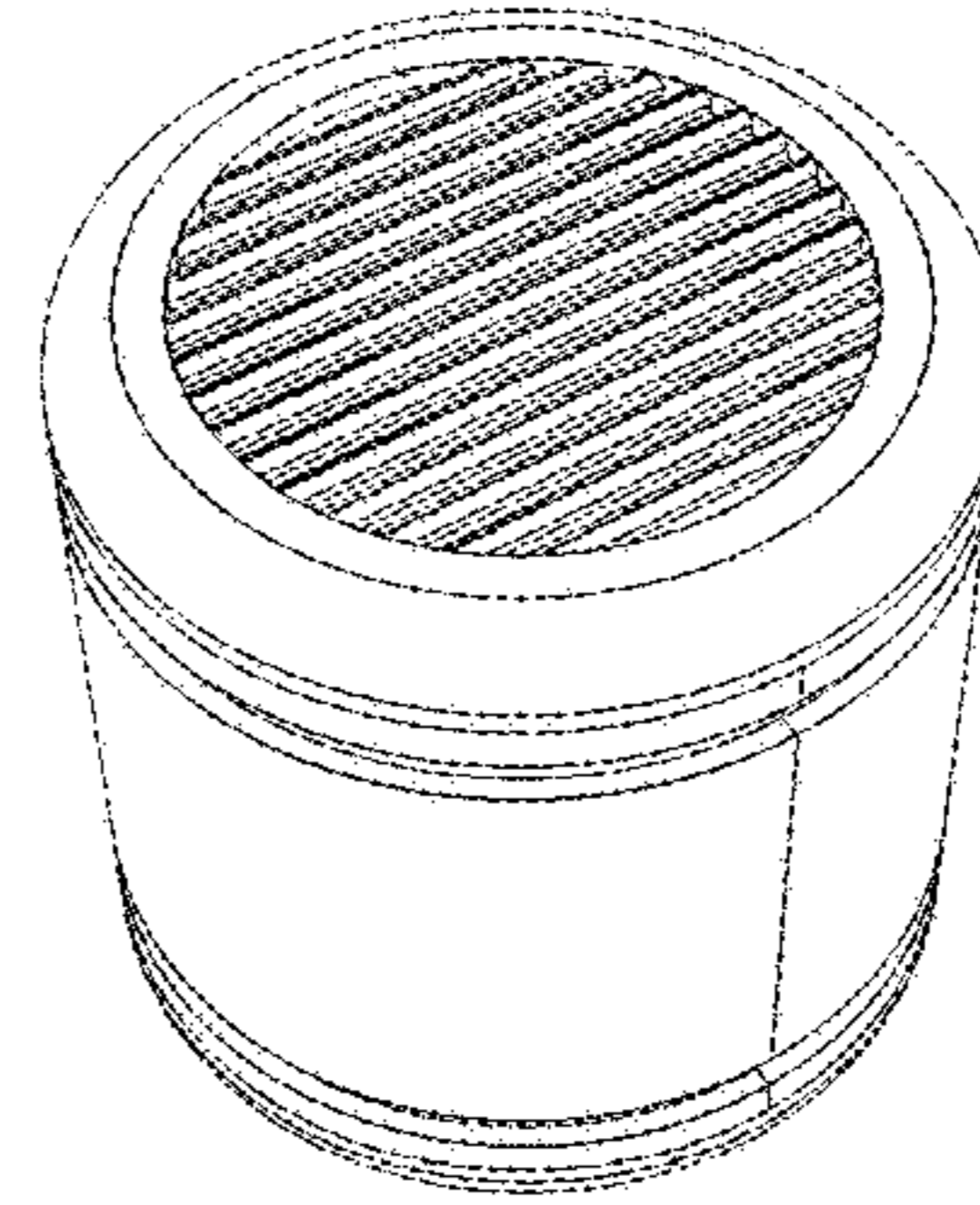


FIG. 19

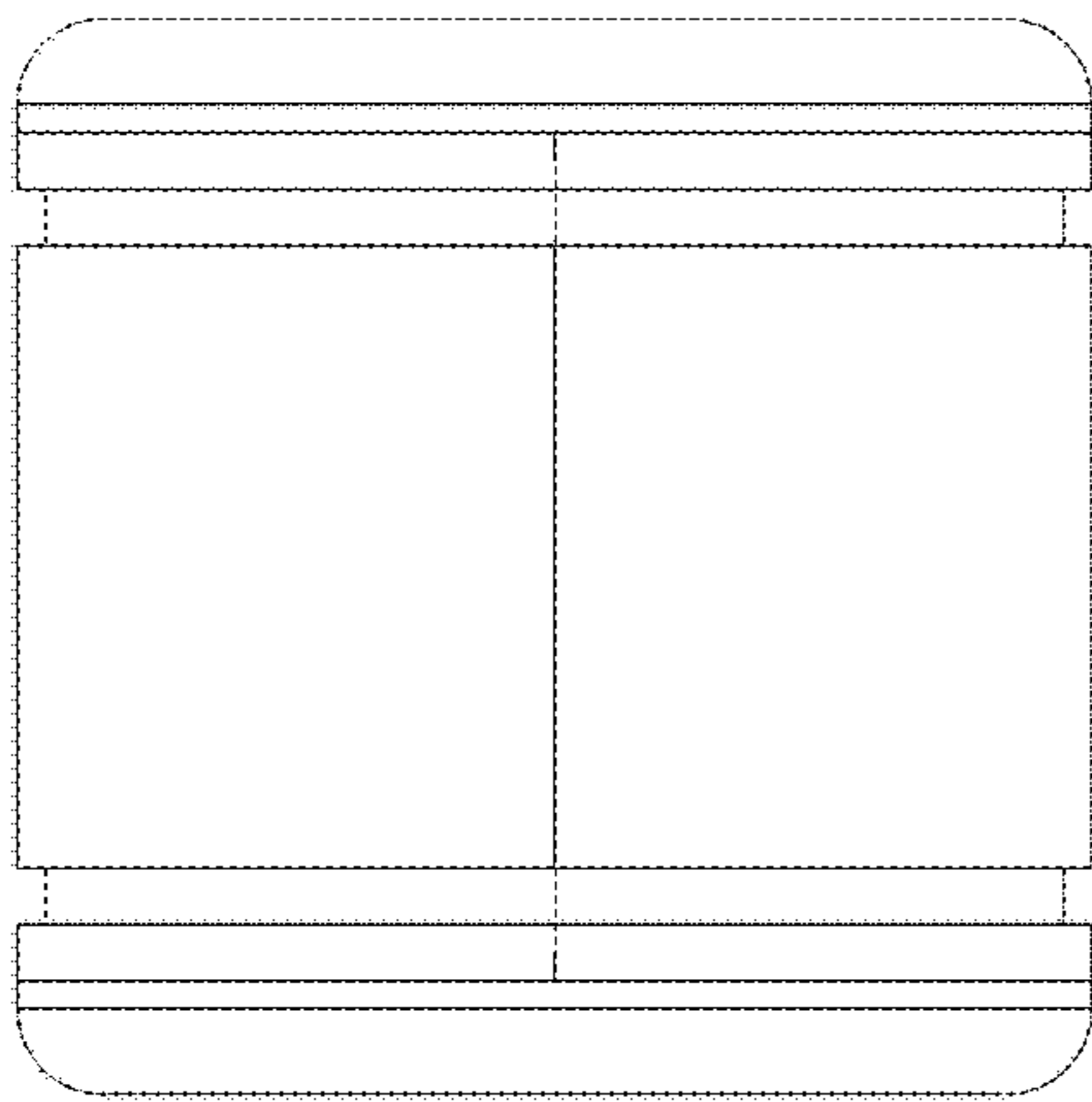


FIG. 20

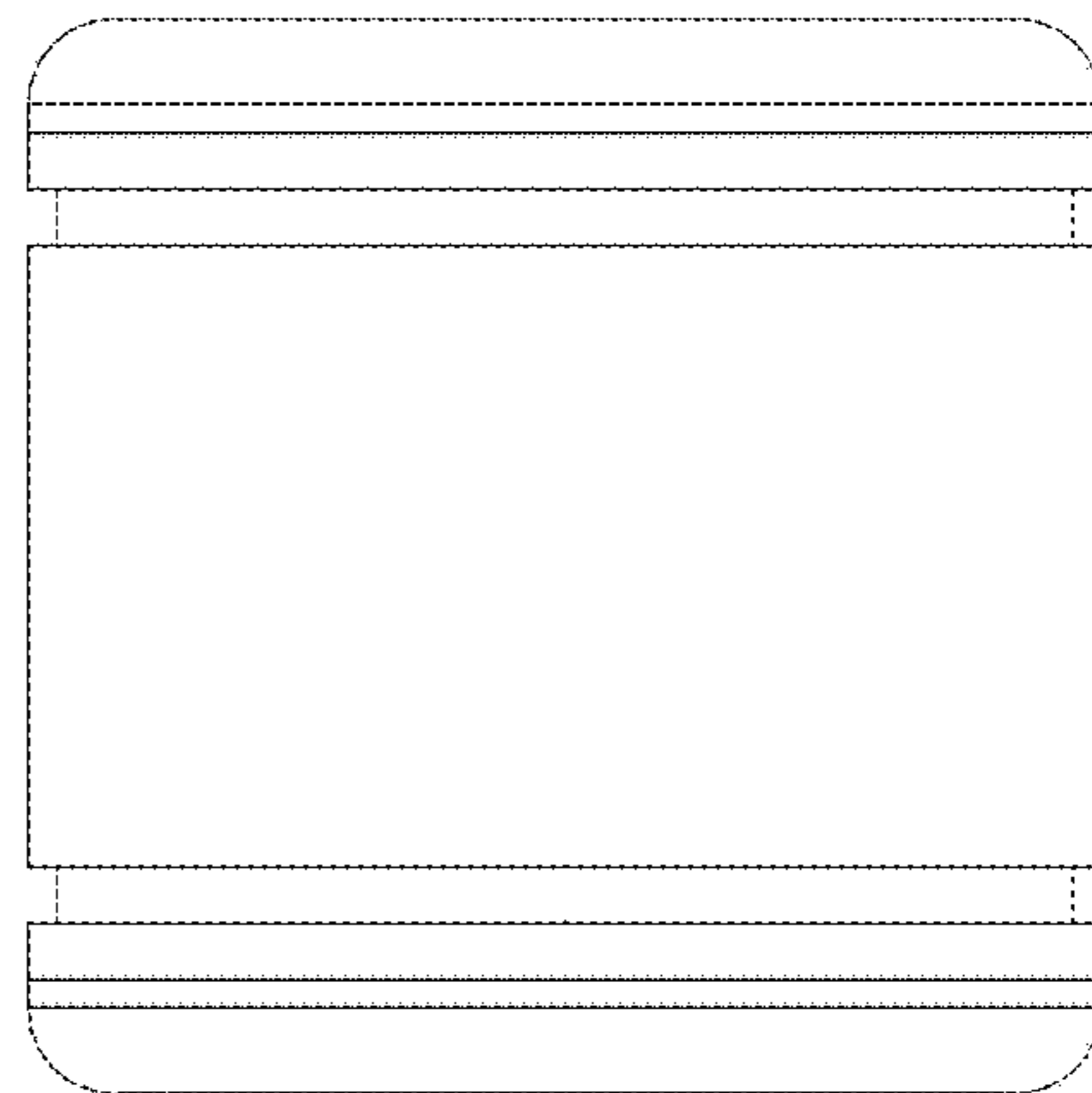


FIG. 21

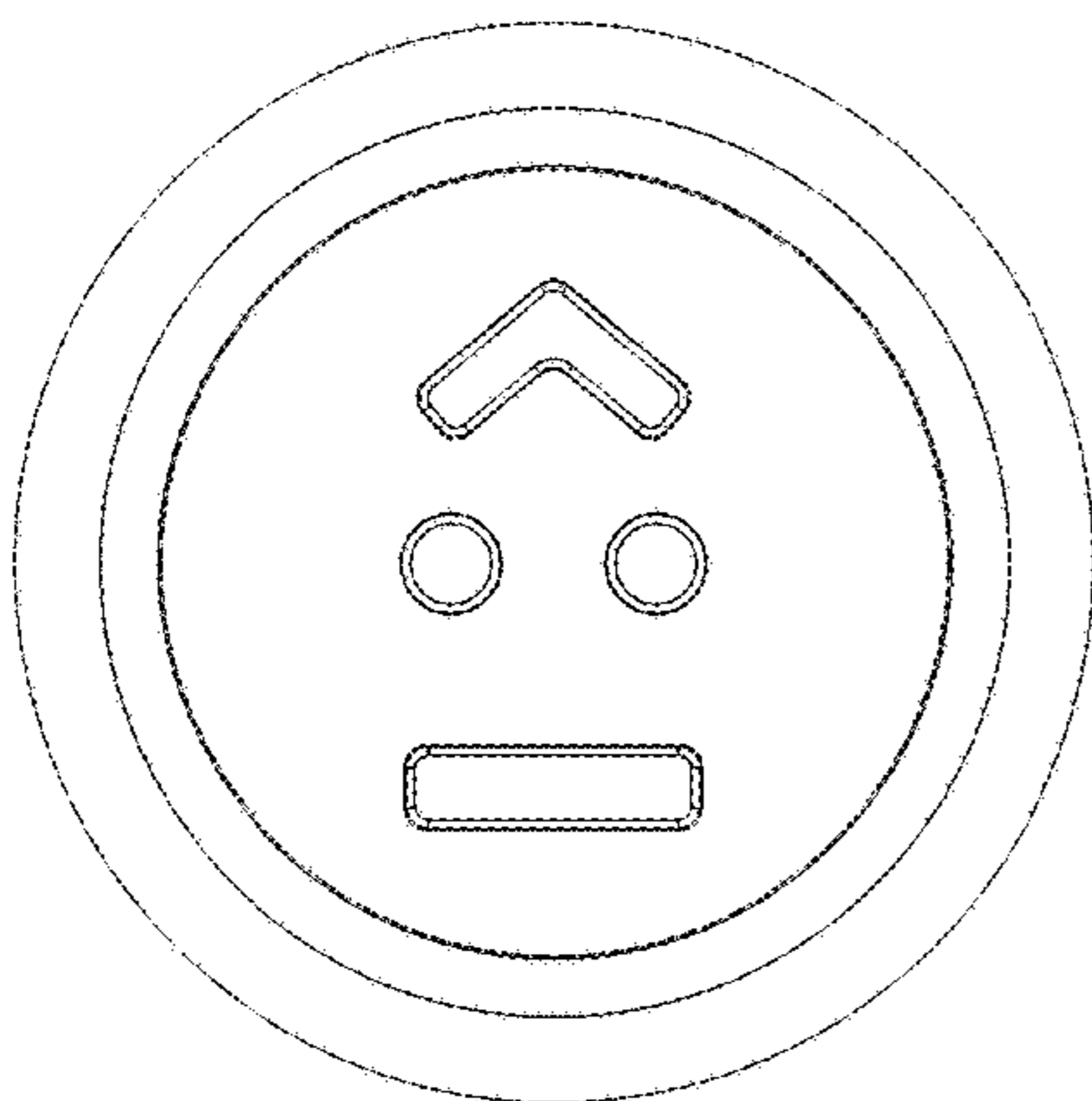


FIG. 22

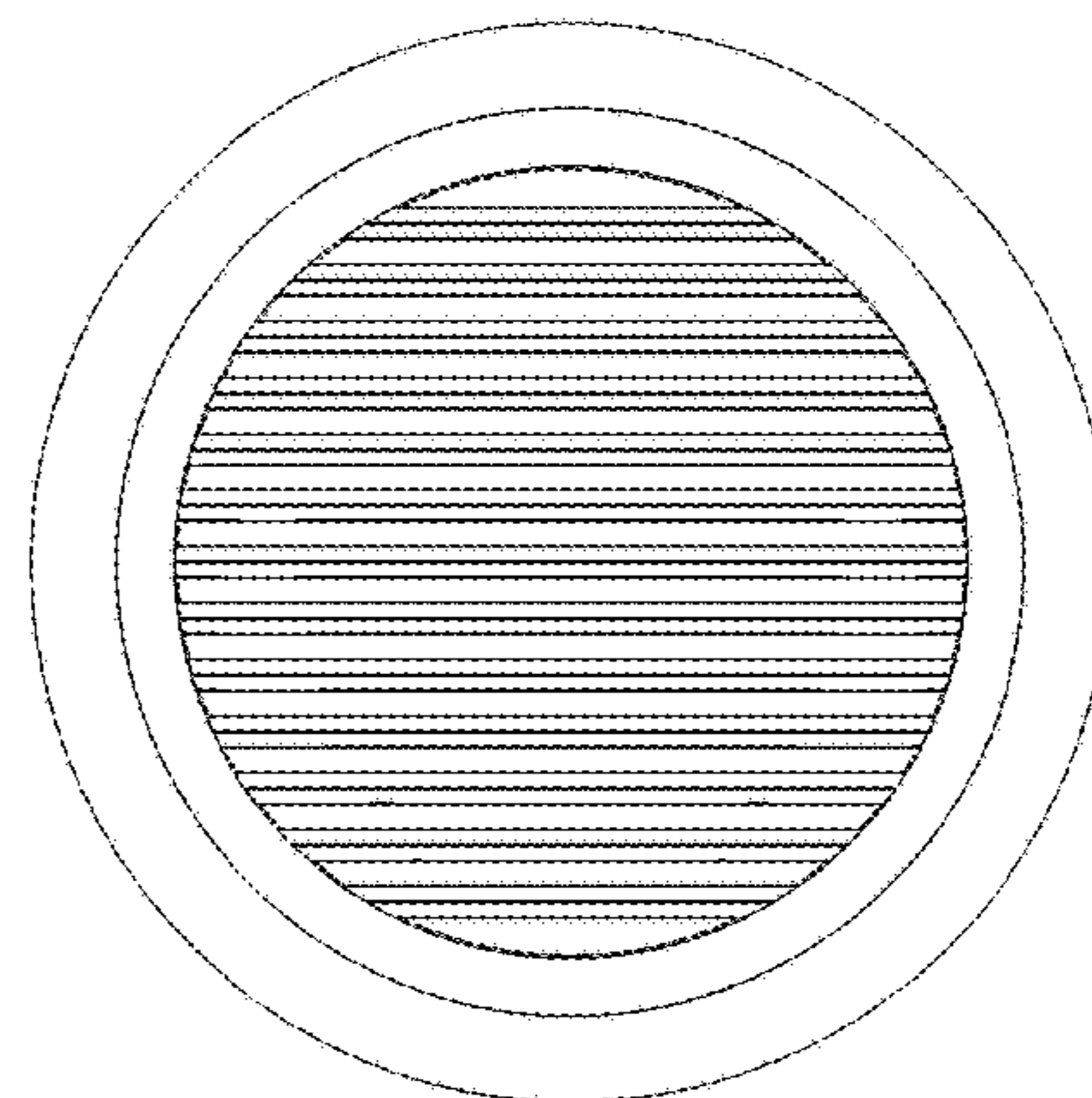


FIG. 23

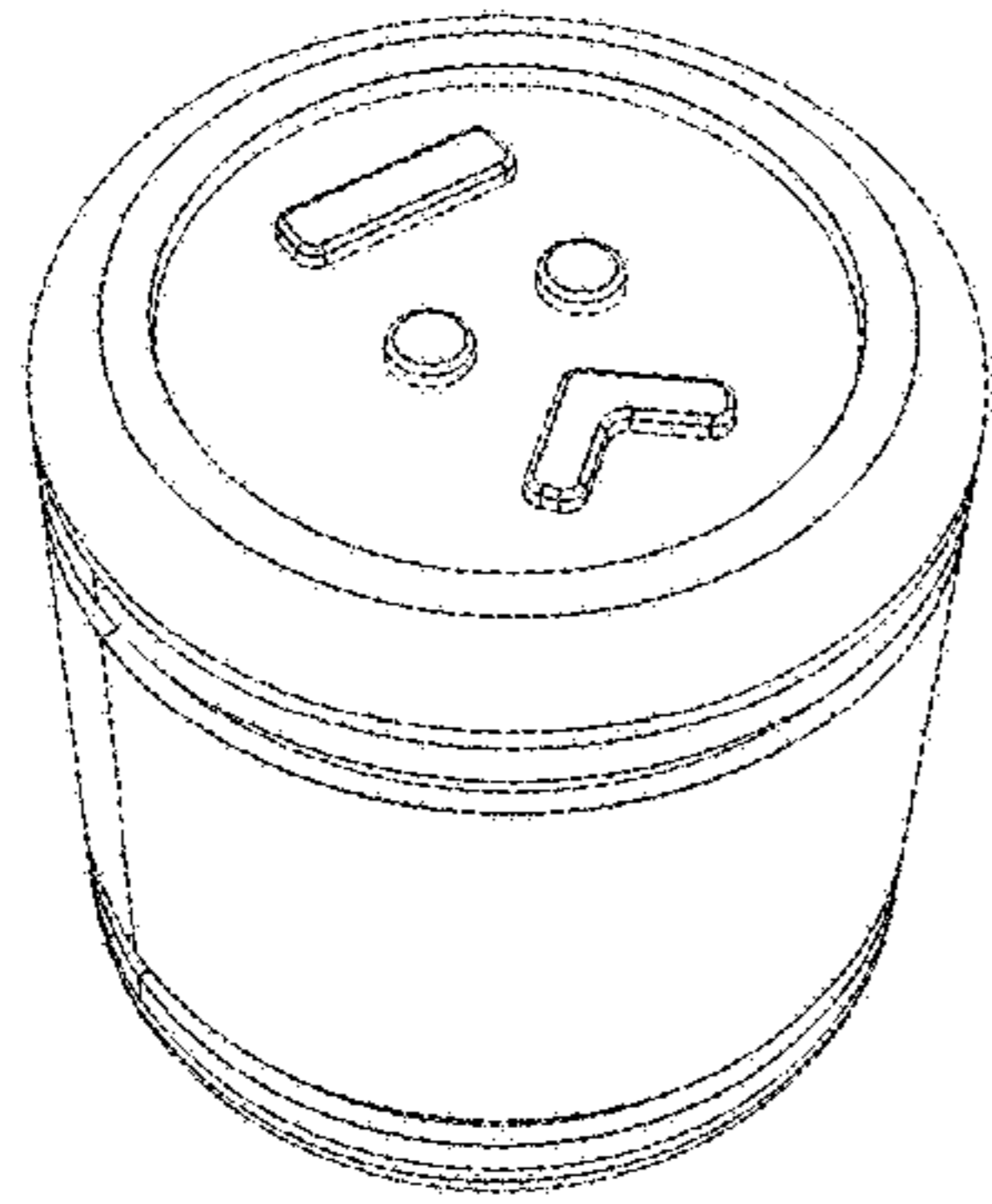


FIG. 24

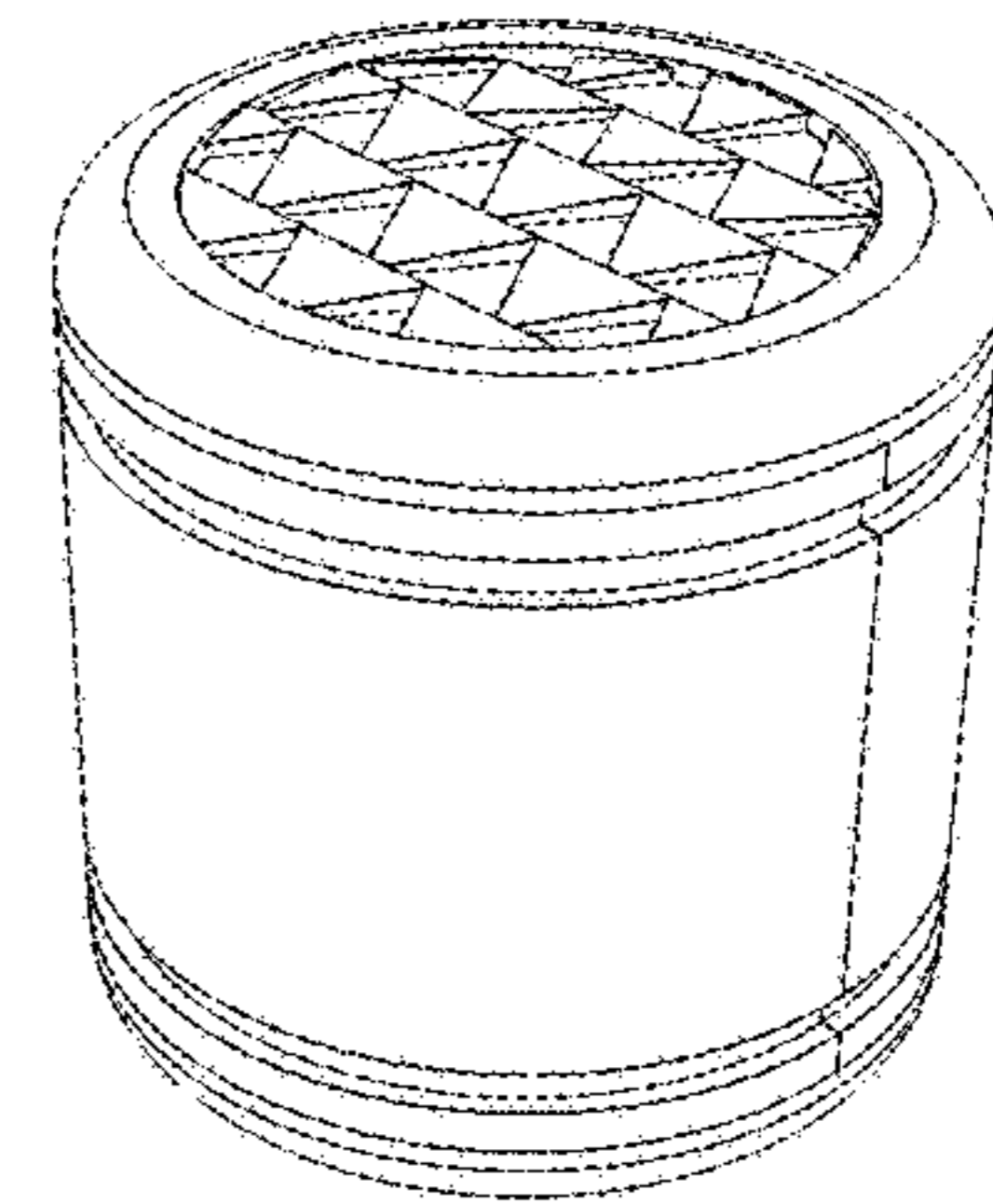


FIG. 25

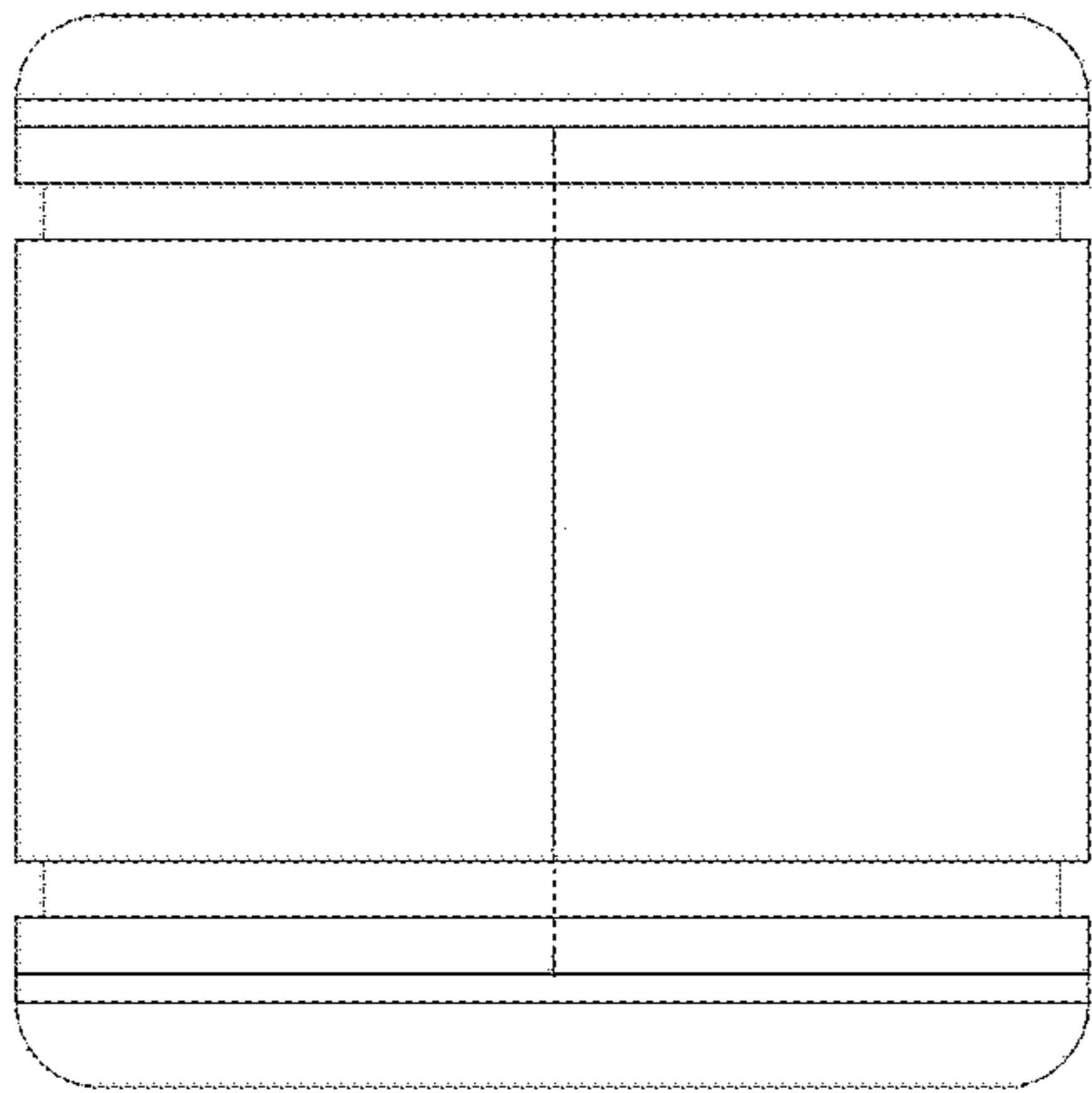


FIG. 26

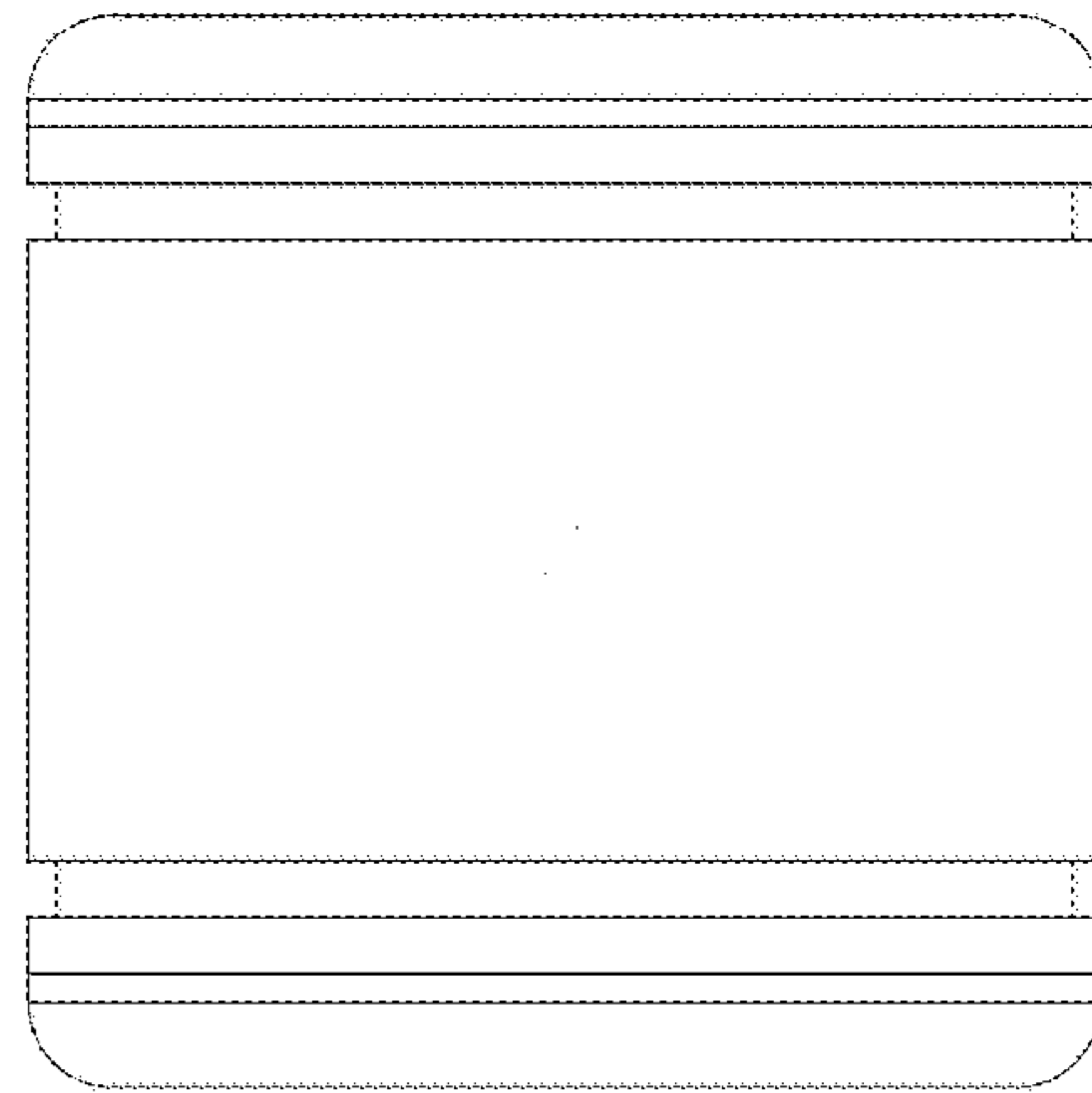


FIG. 27

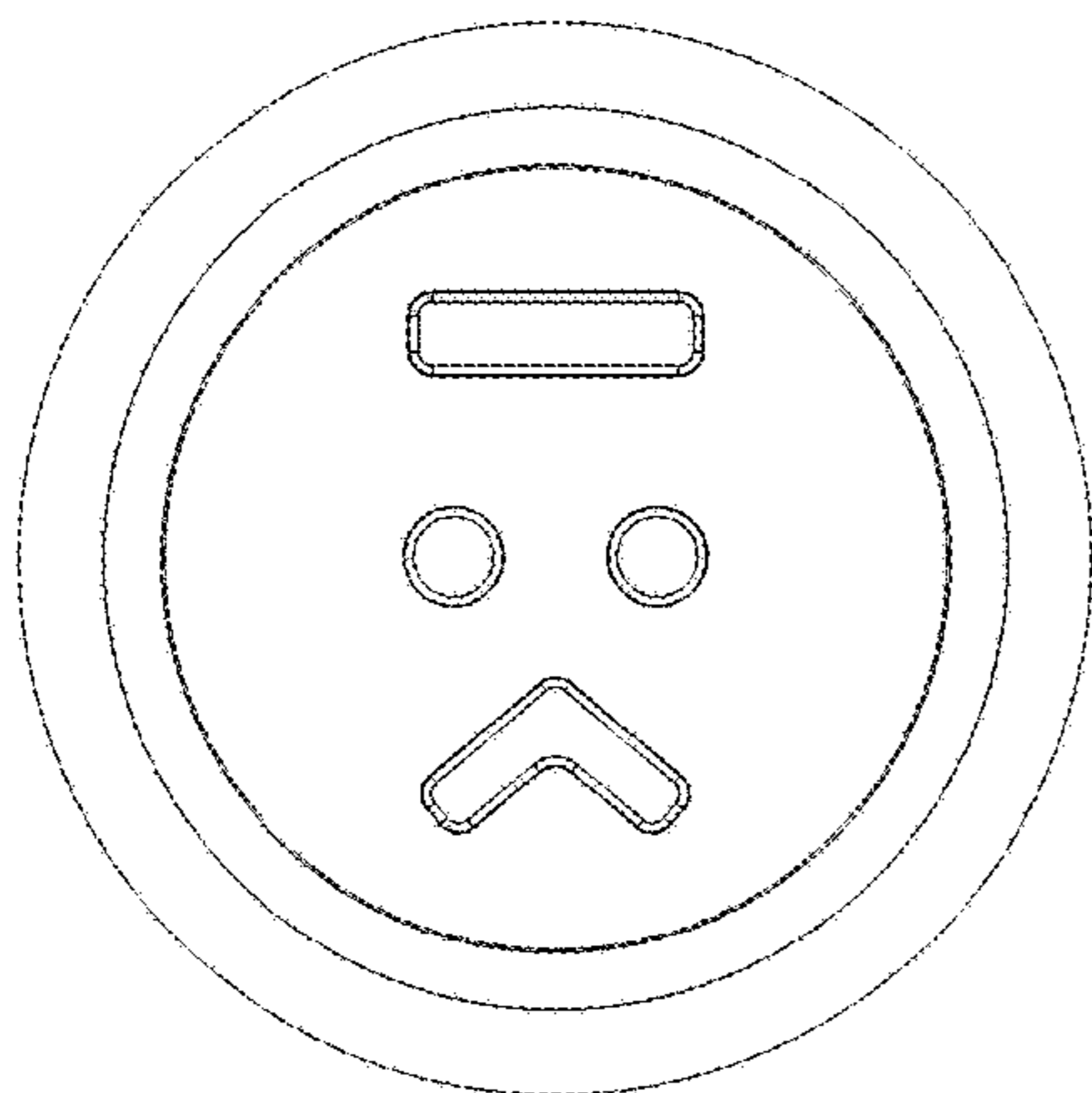


FIG. 28

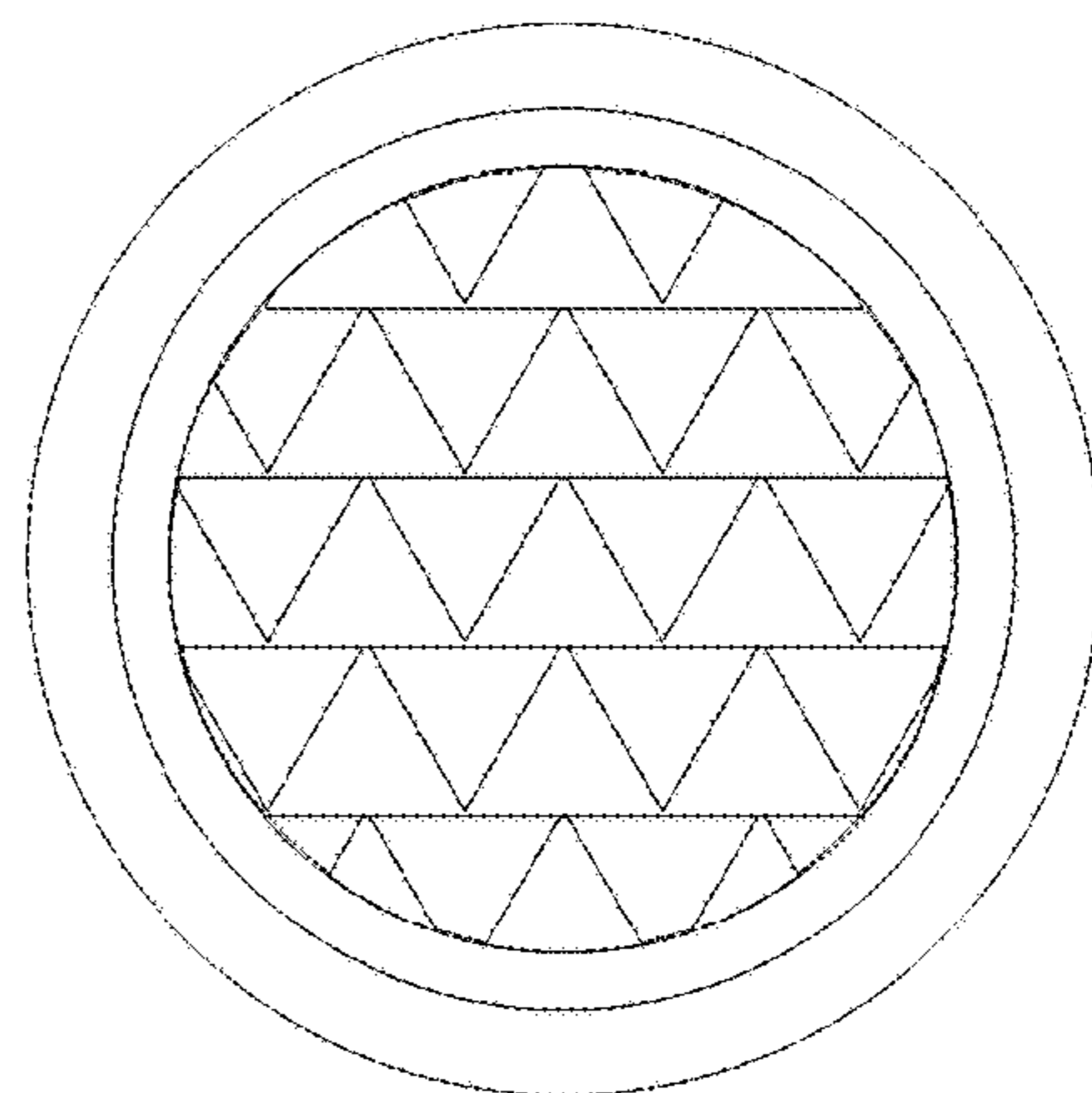


FIG. 29

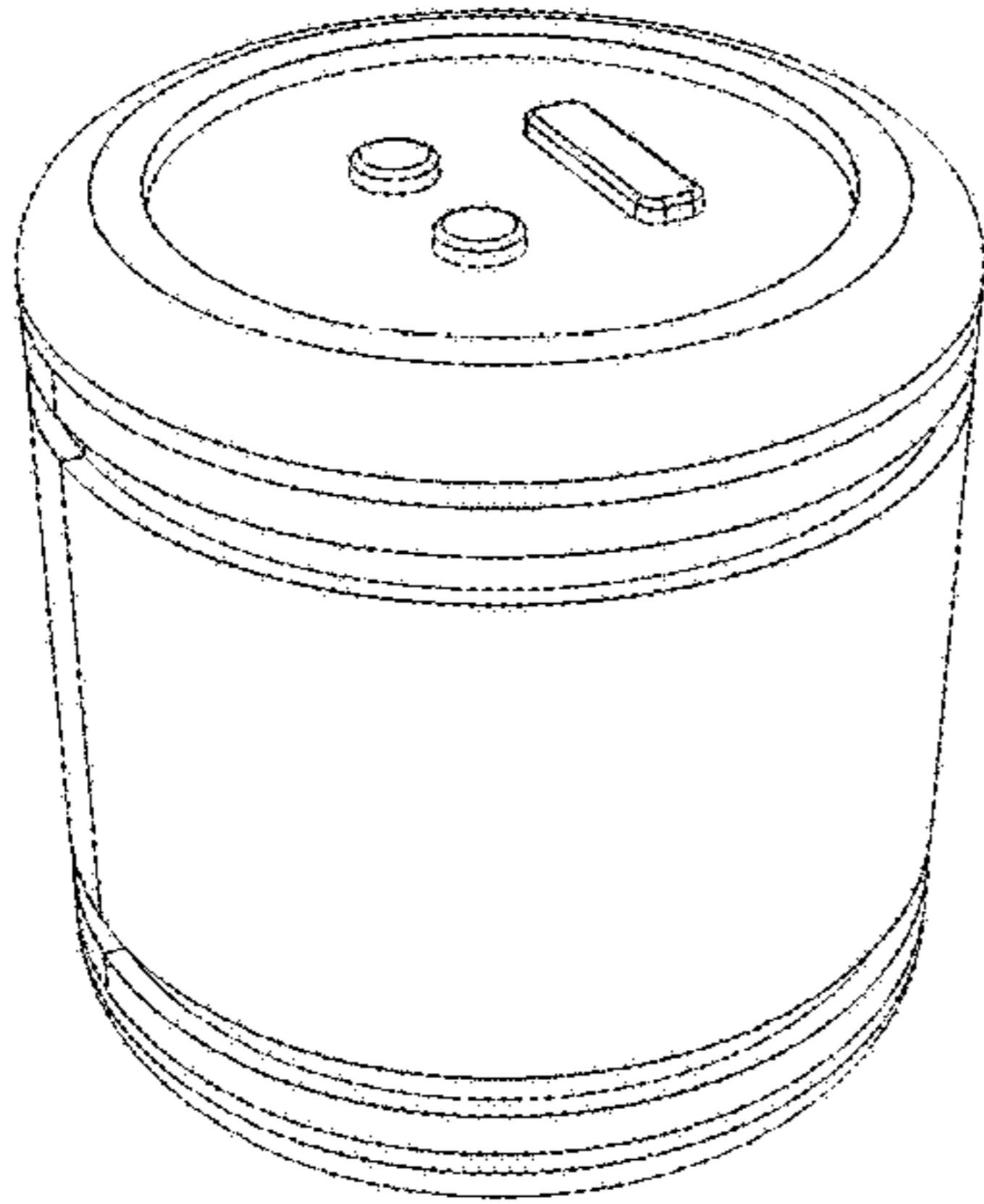


FIG. 30

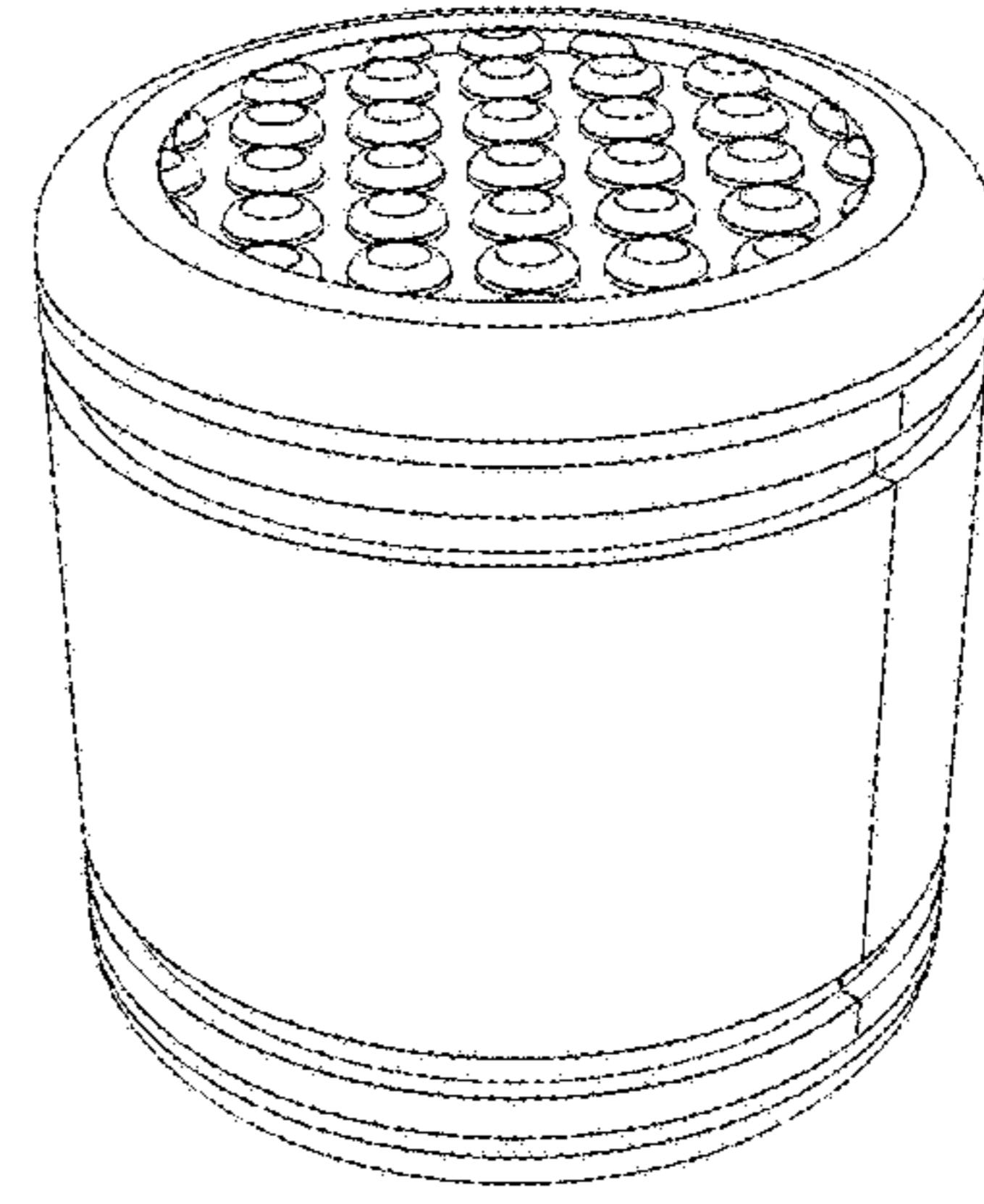


FIG. 31

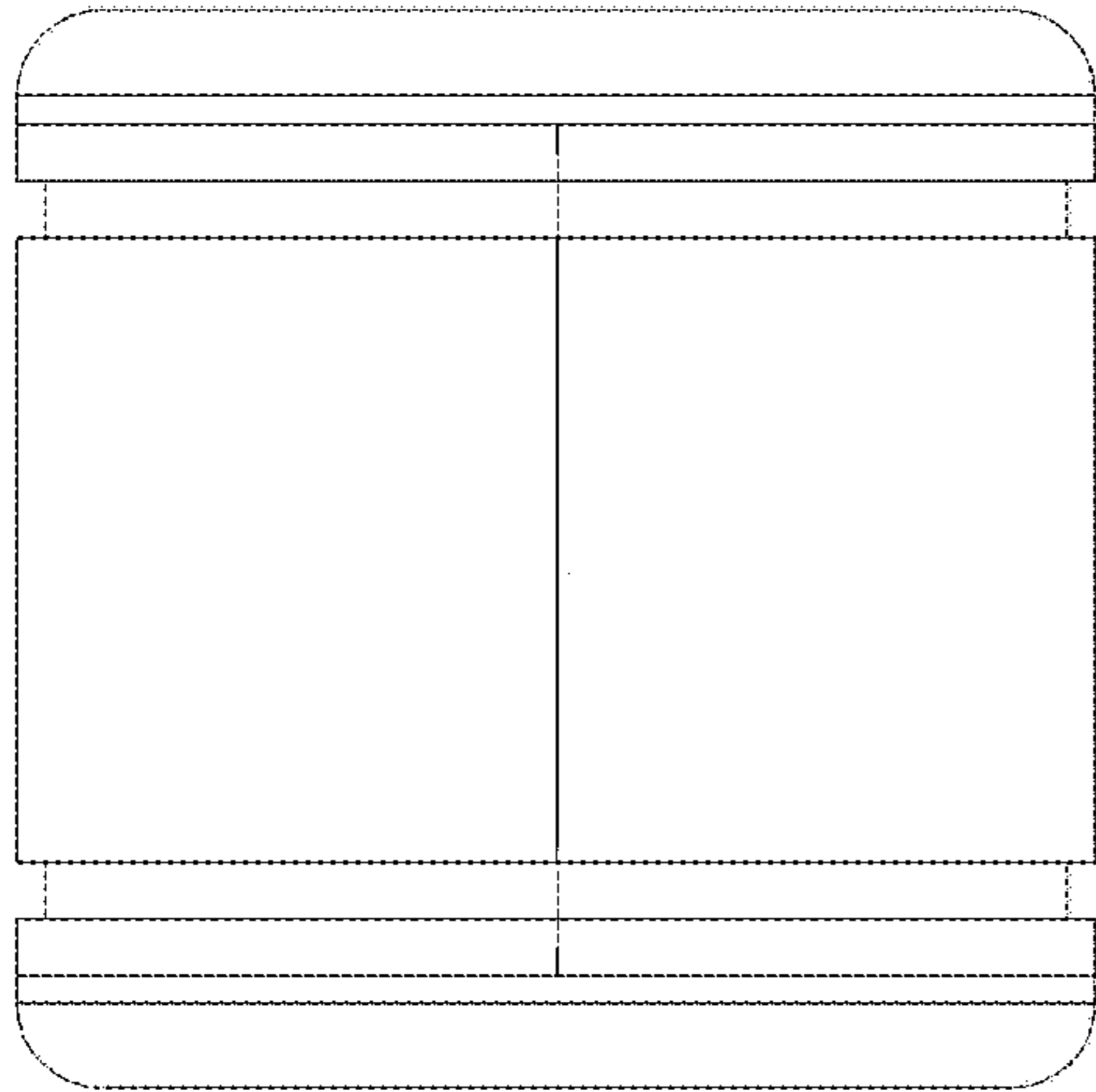


FIG. 32

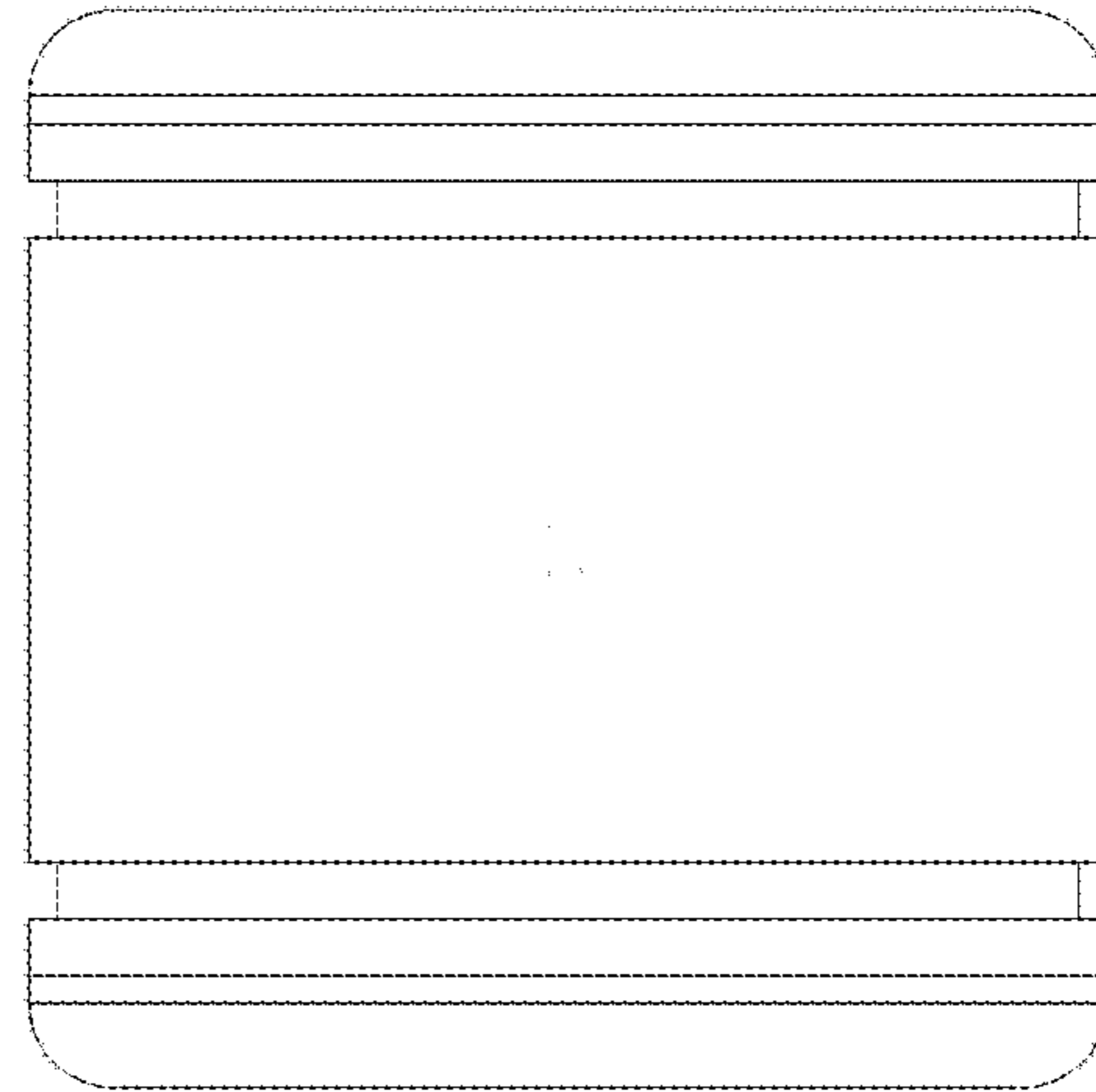


FIG. 33

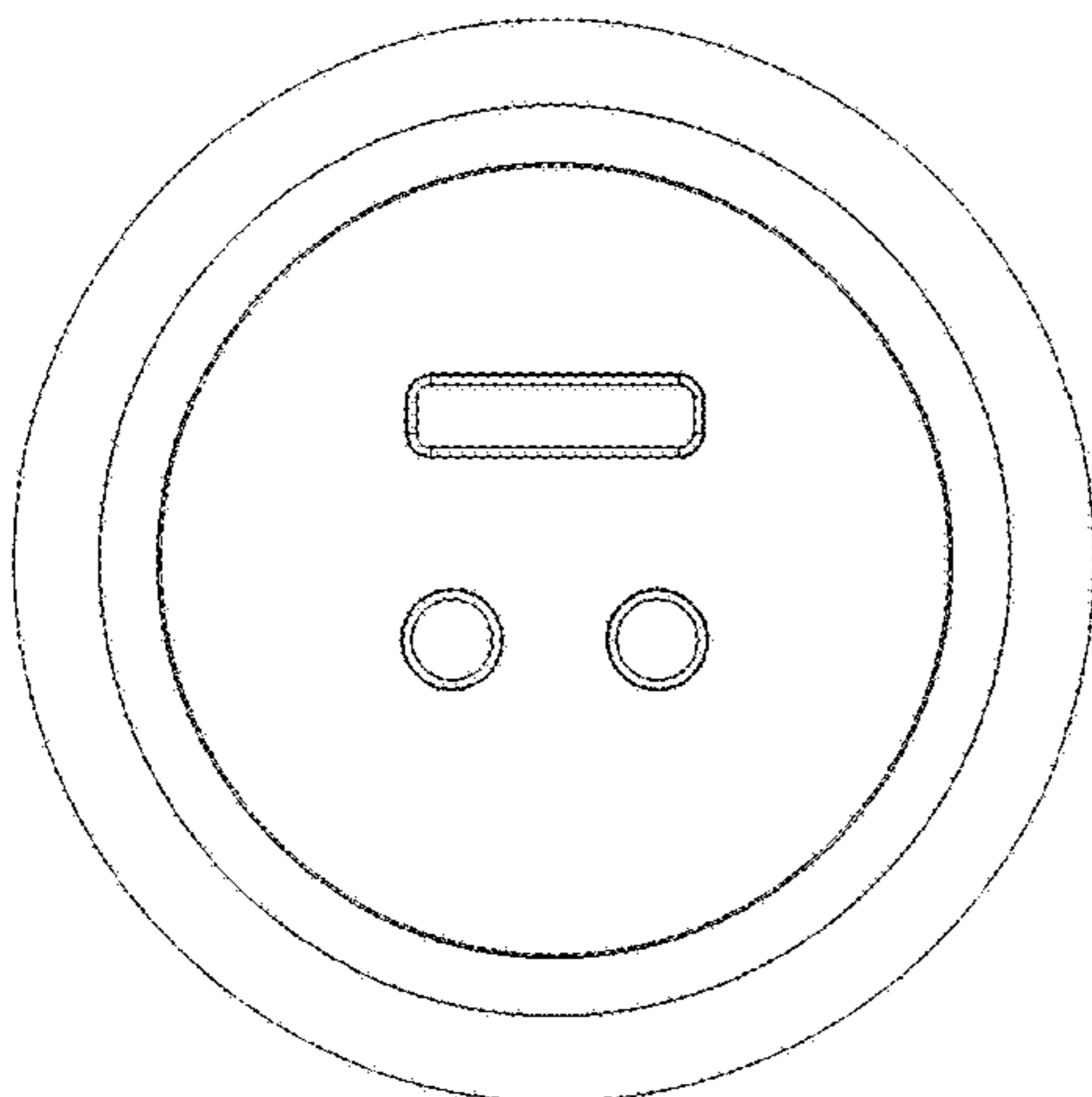


FIG. 34

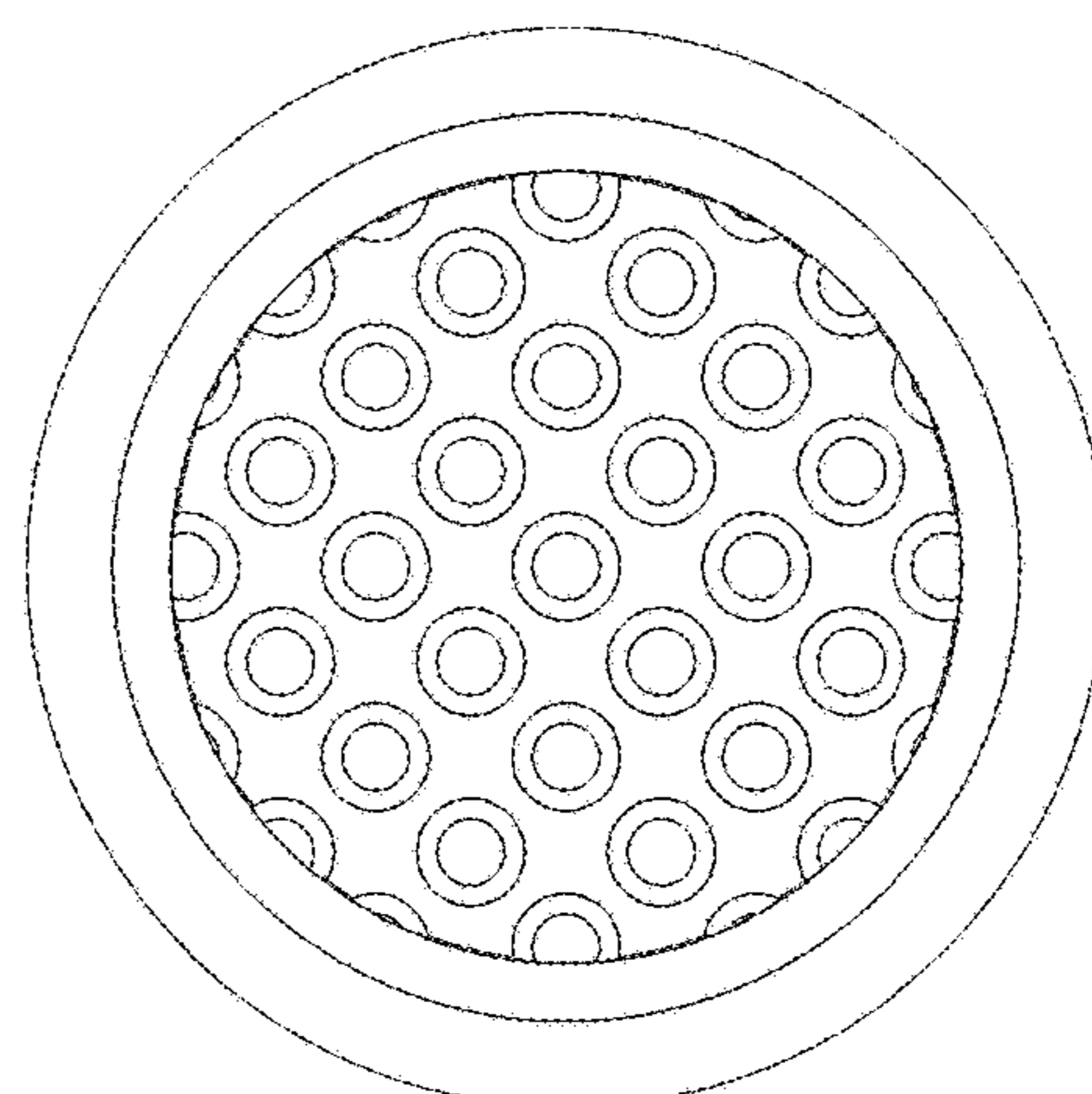


FIG. 35

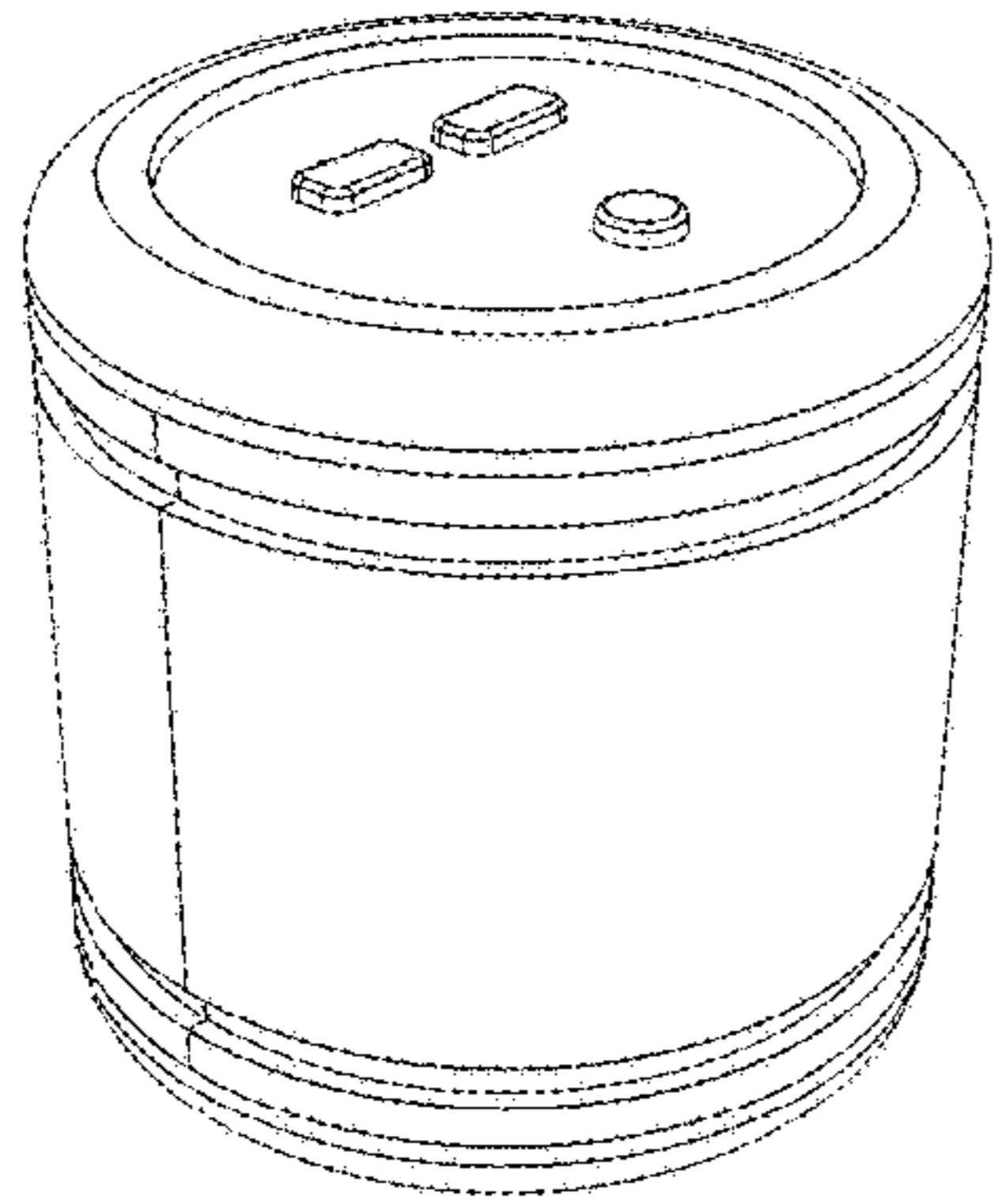


FIG. 36

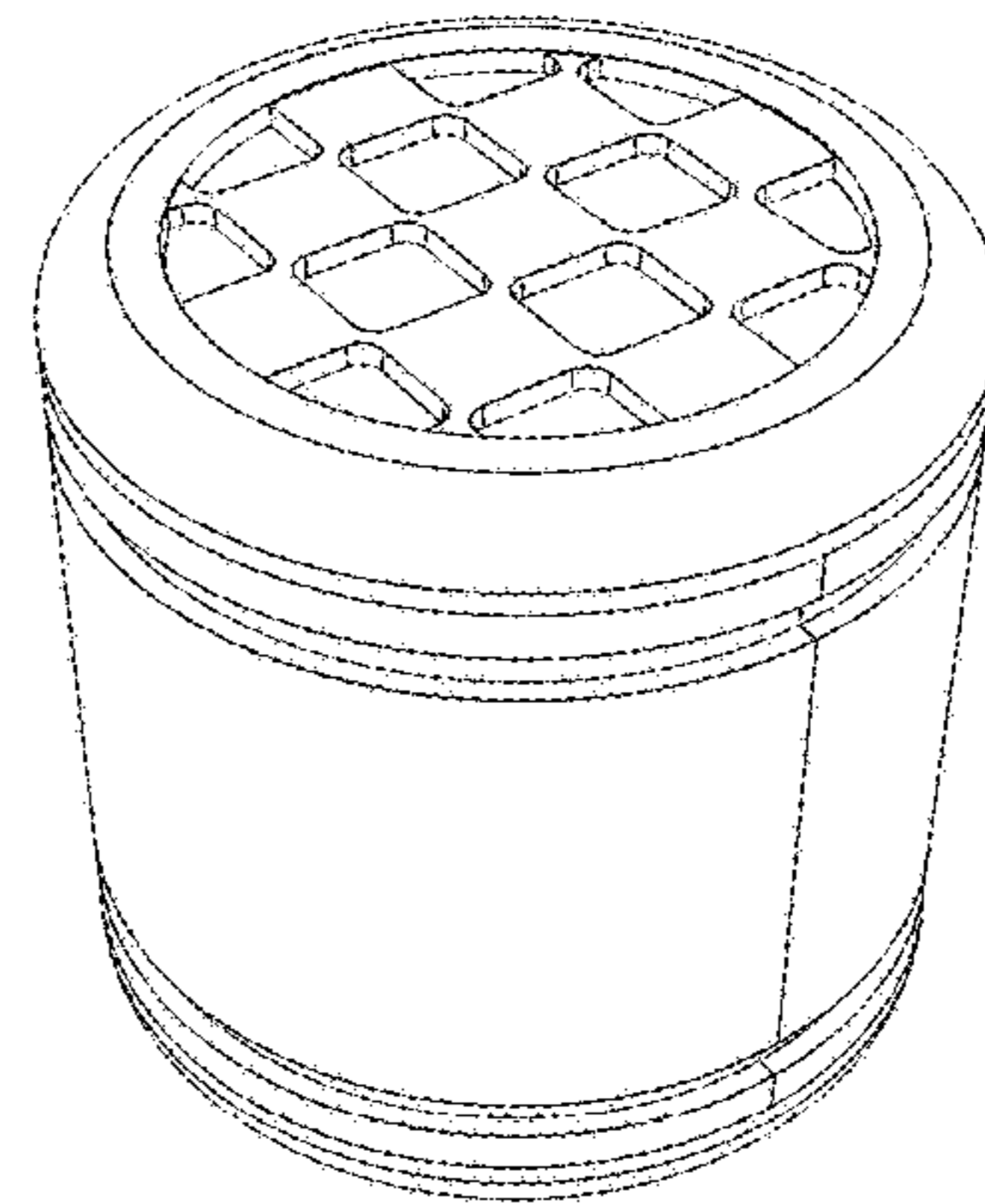


FIG. 37

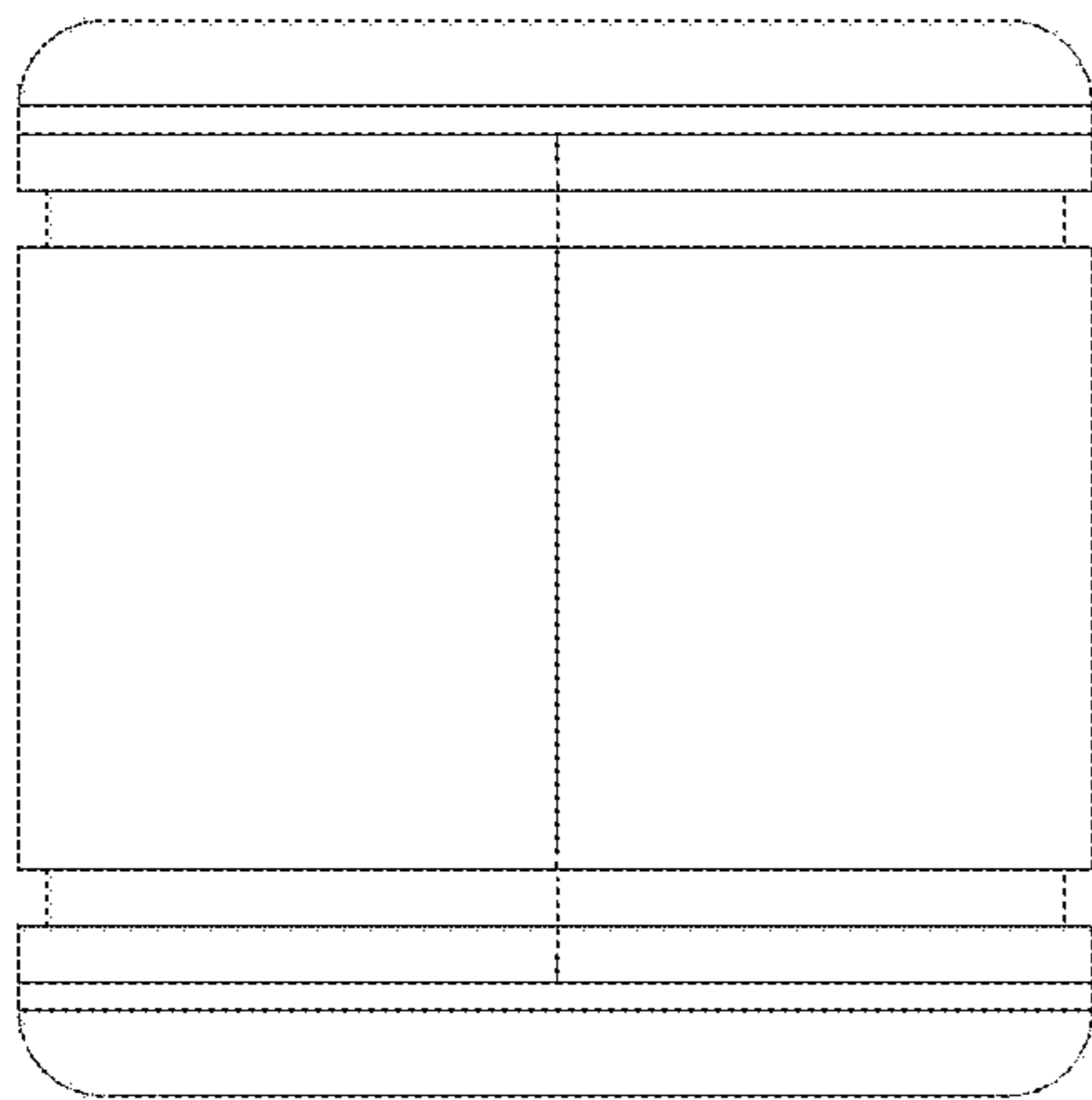


FIG. 38

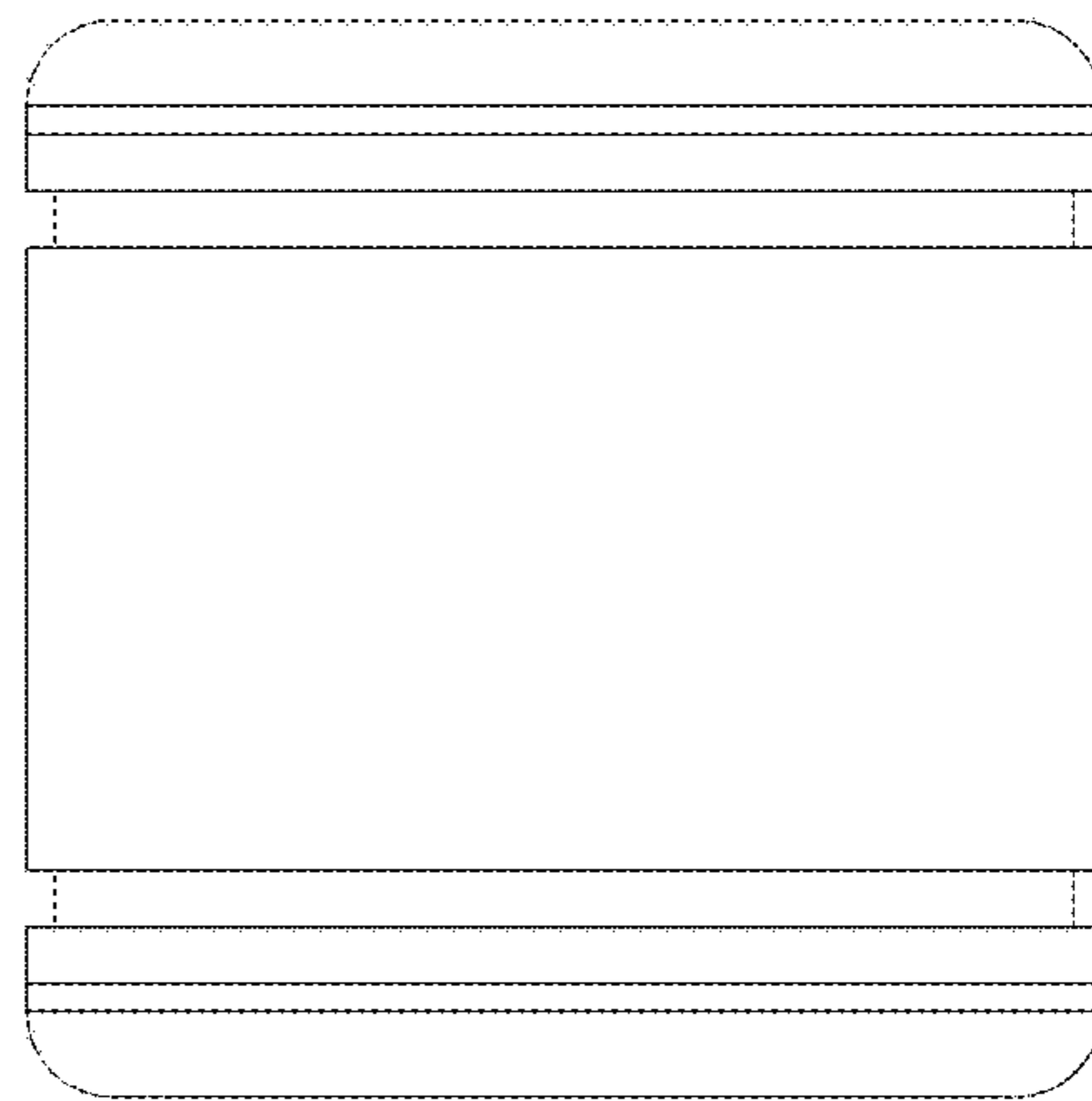


FIG. 39

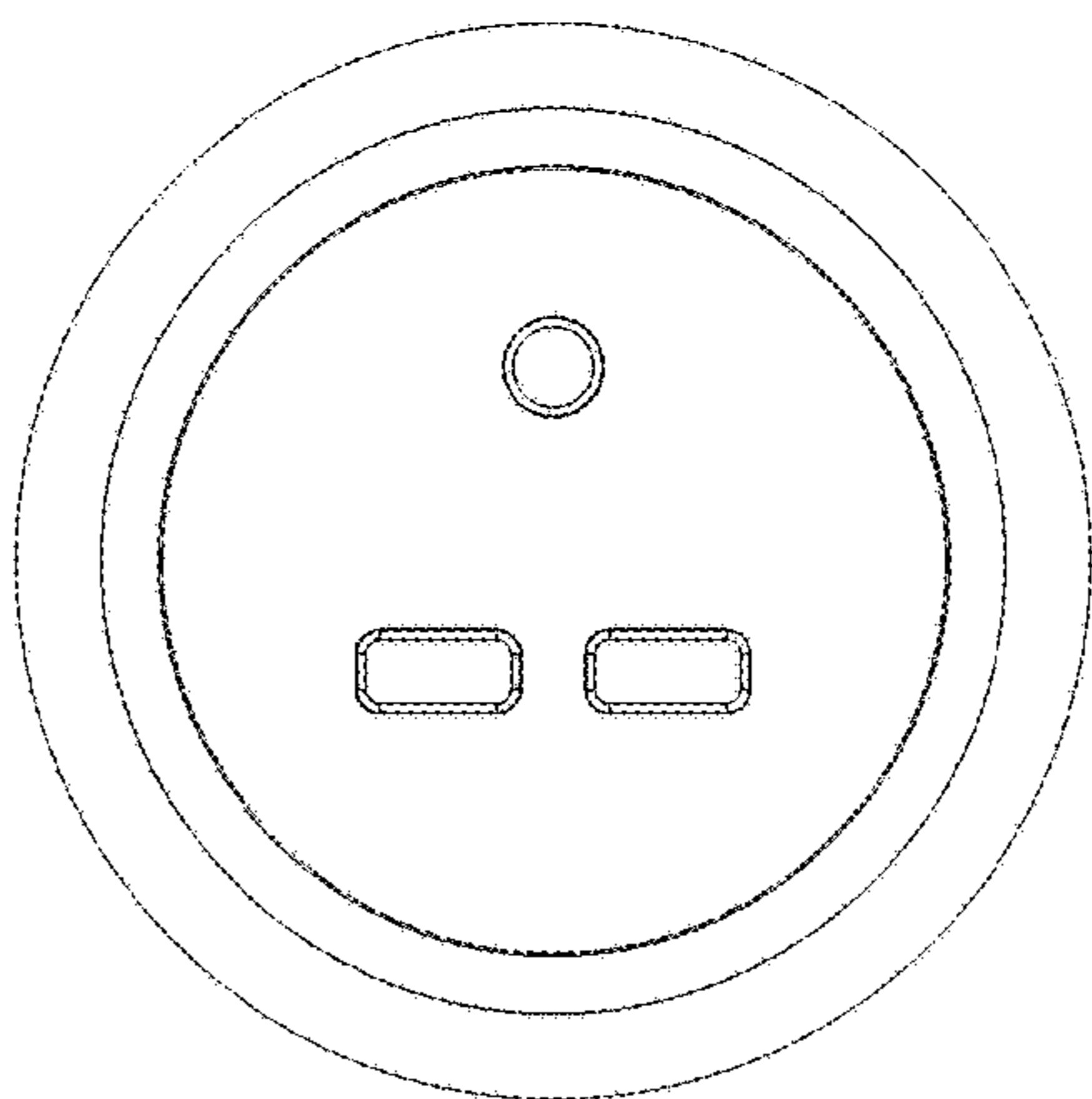


FIG. 40

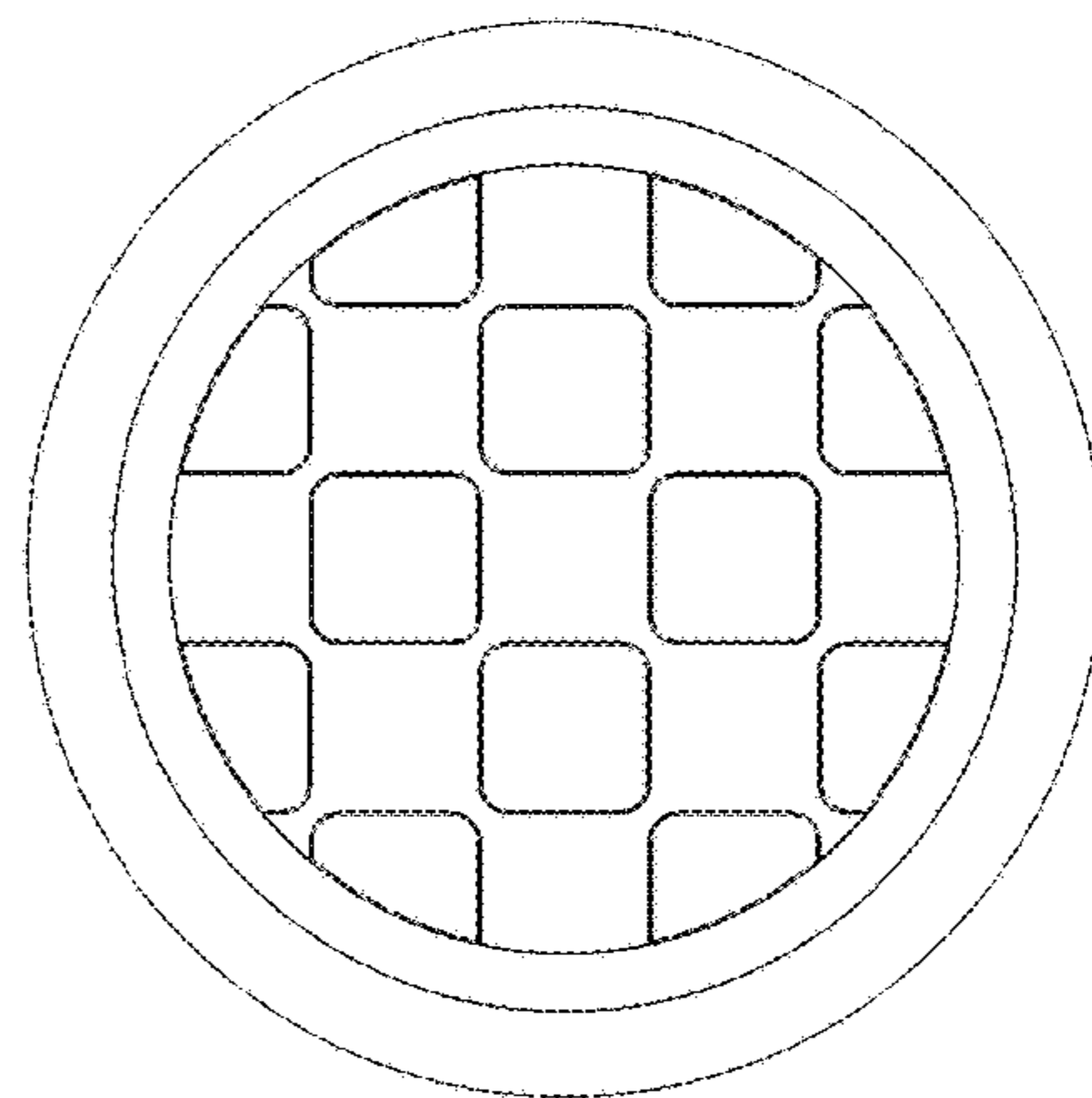


FIG. 41

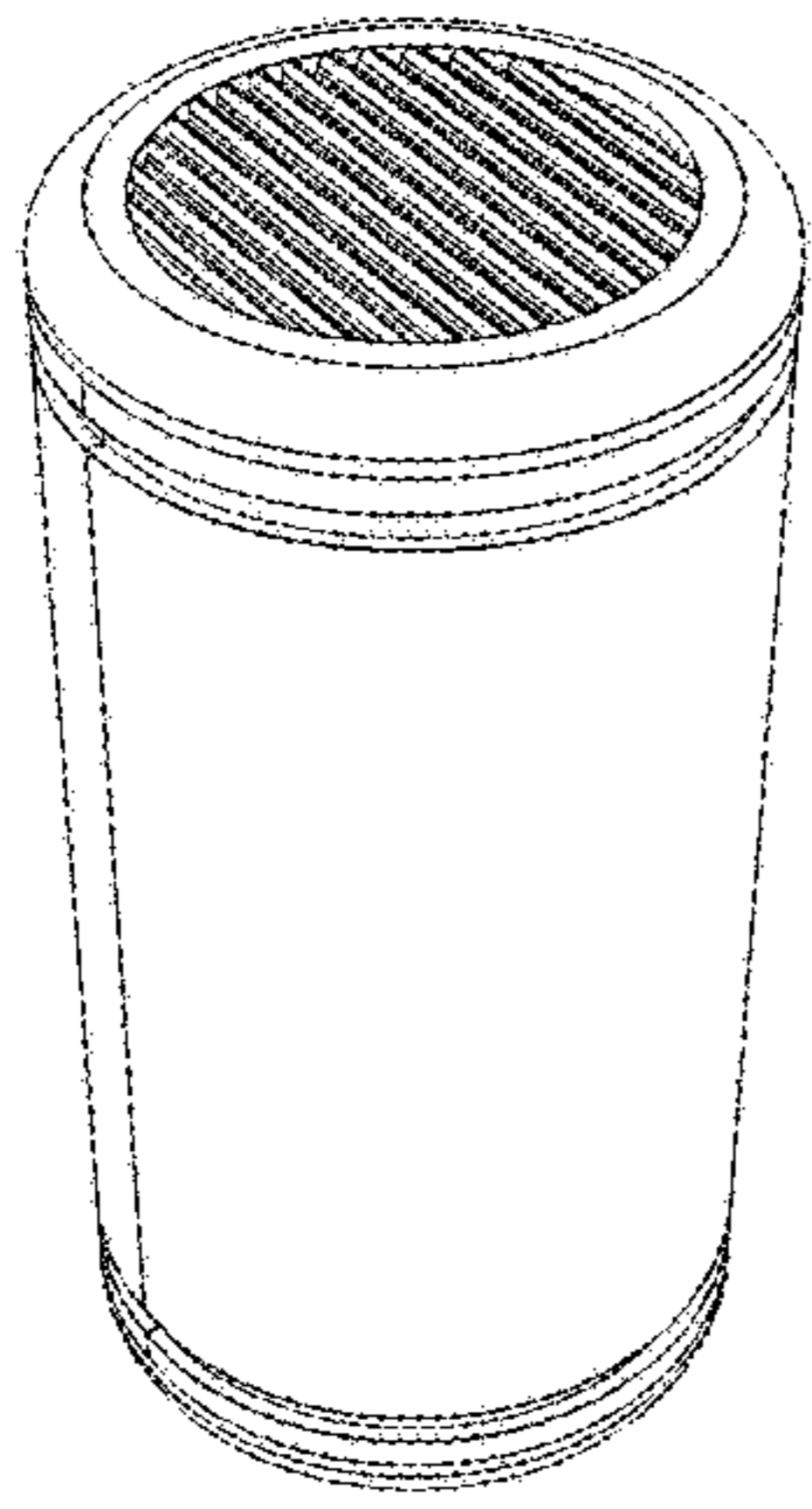


FIG. 42

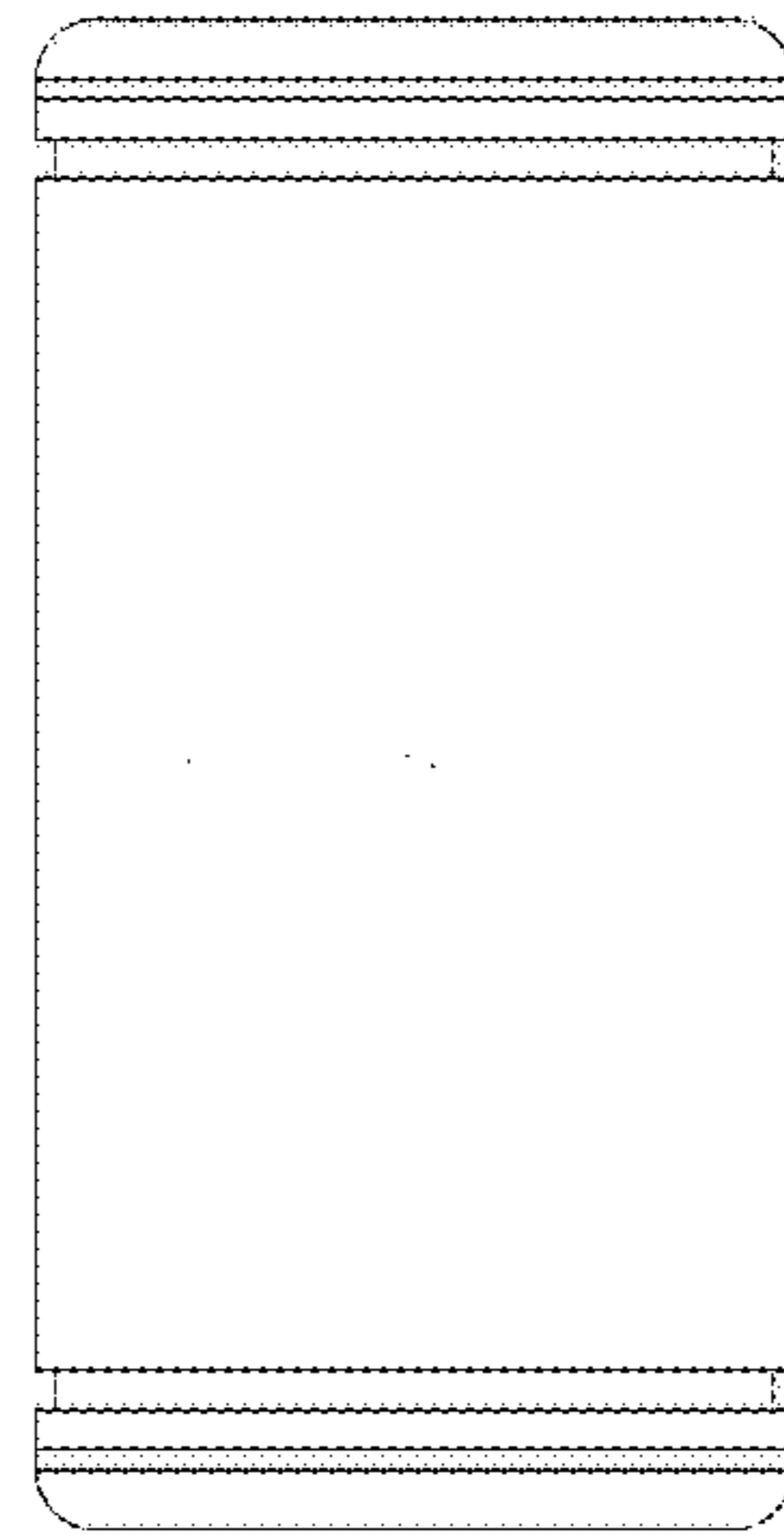


FIG. 43

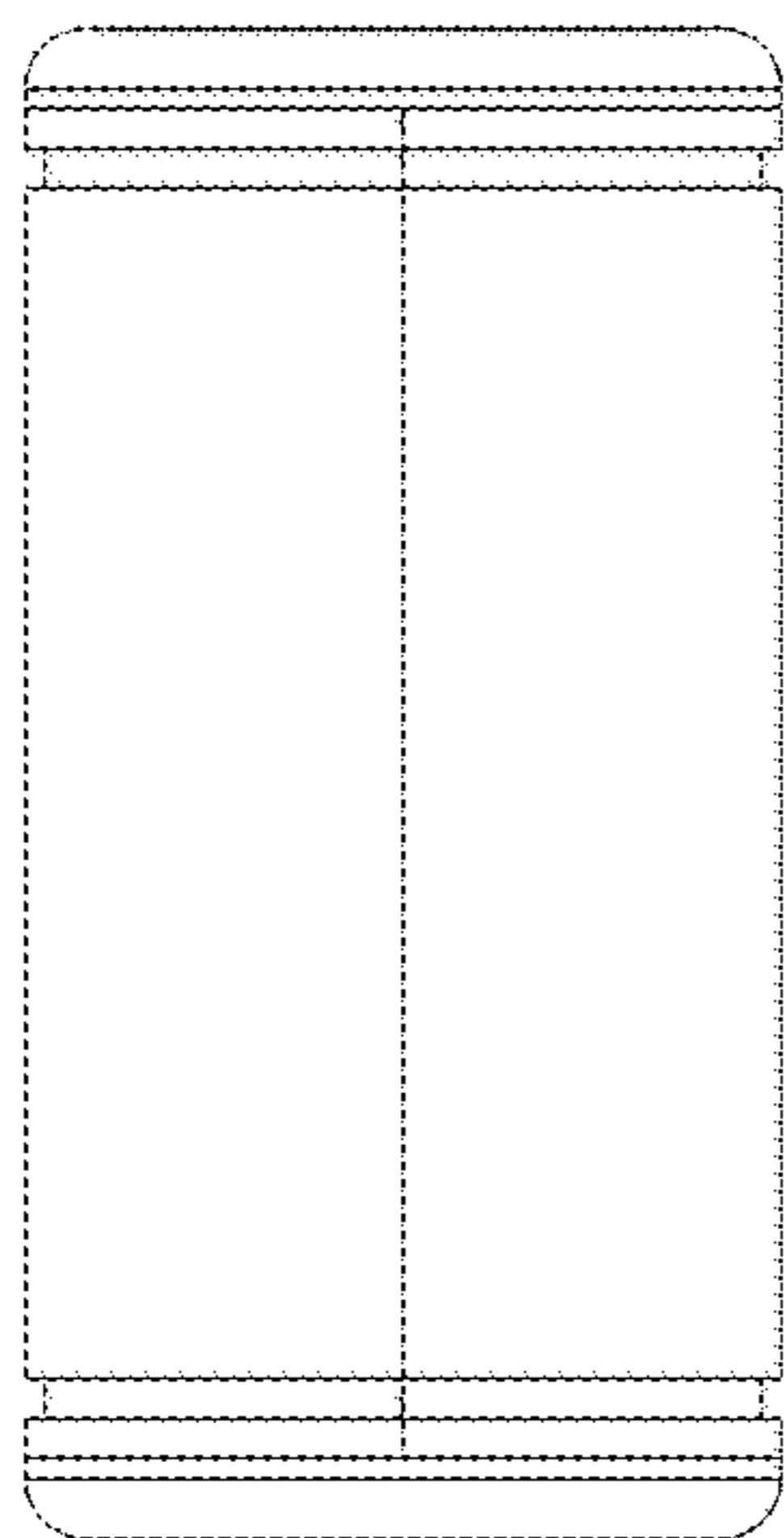


FIG. 44

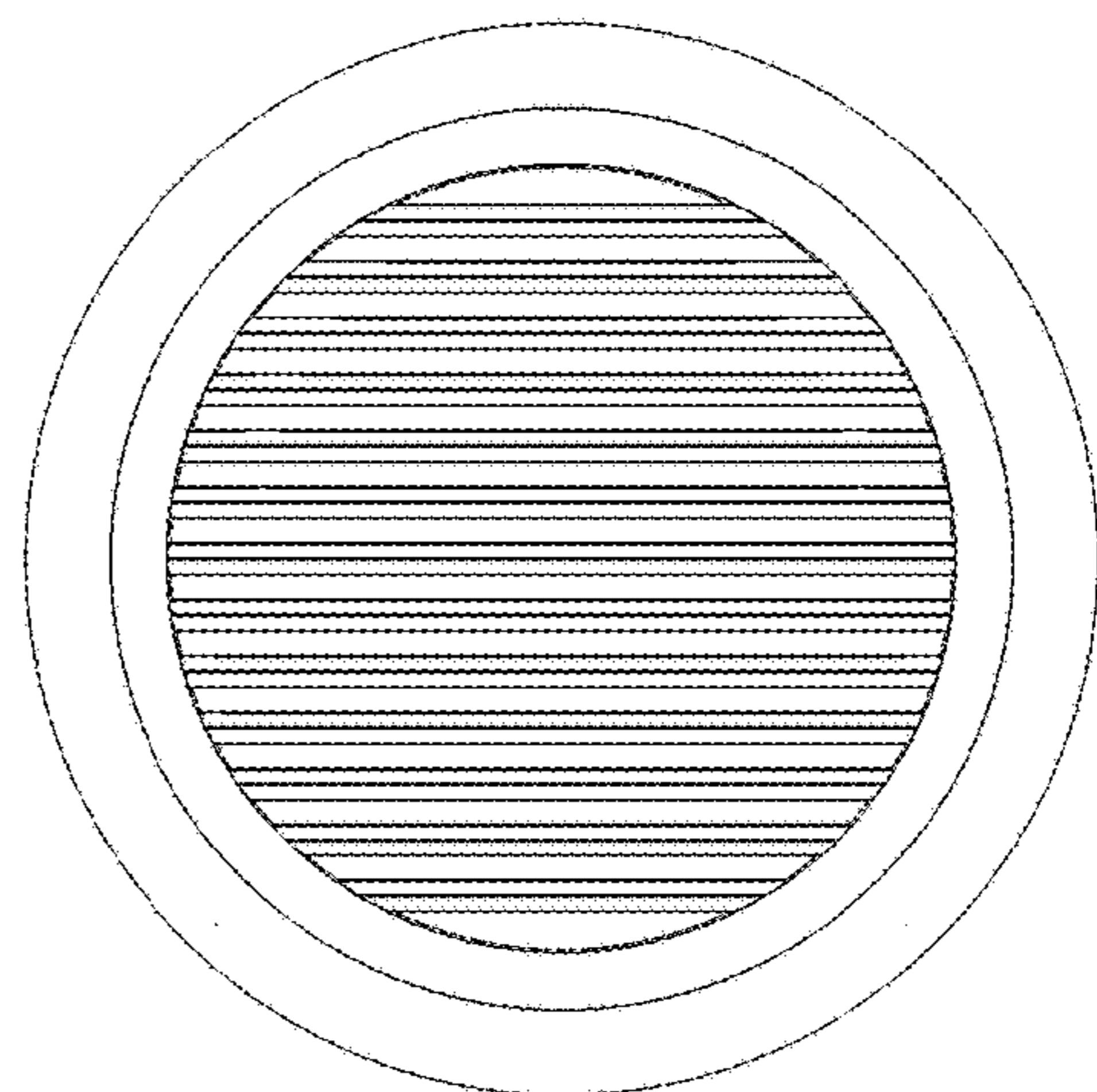


FIG. 45

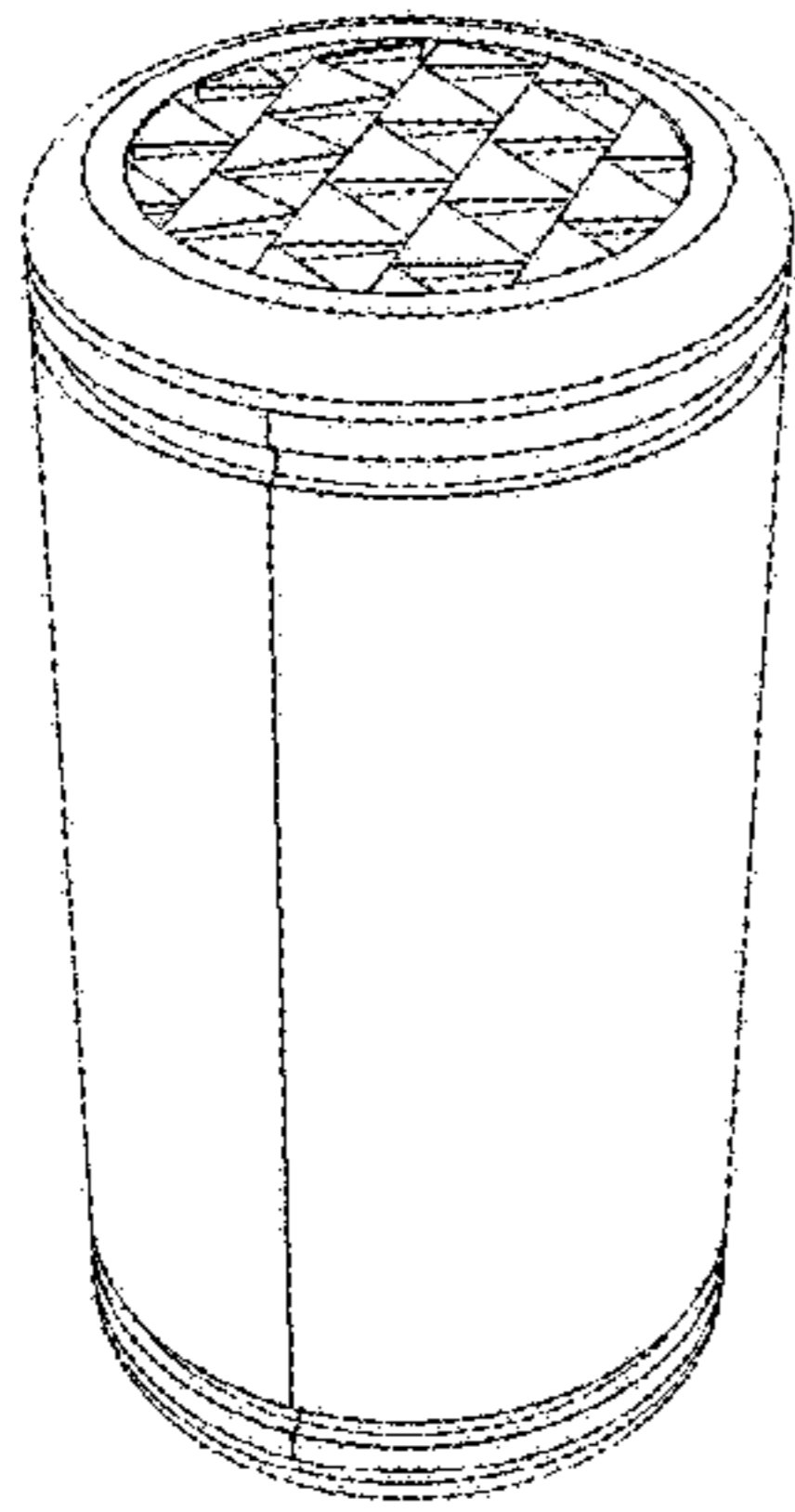


FIG. 46

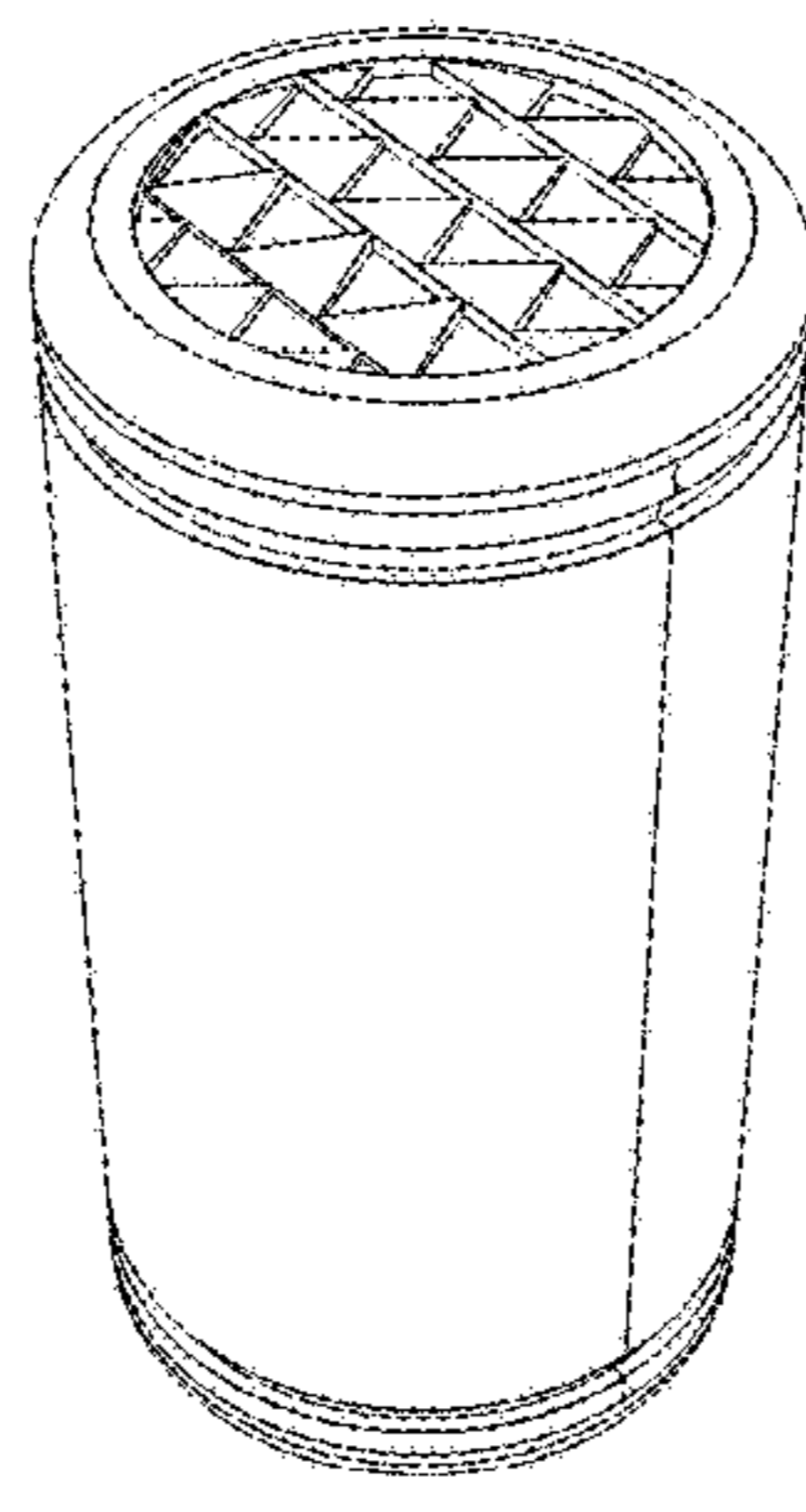


FIG. 47

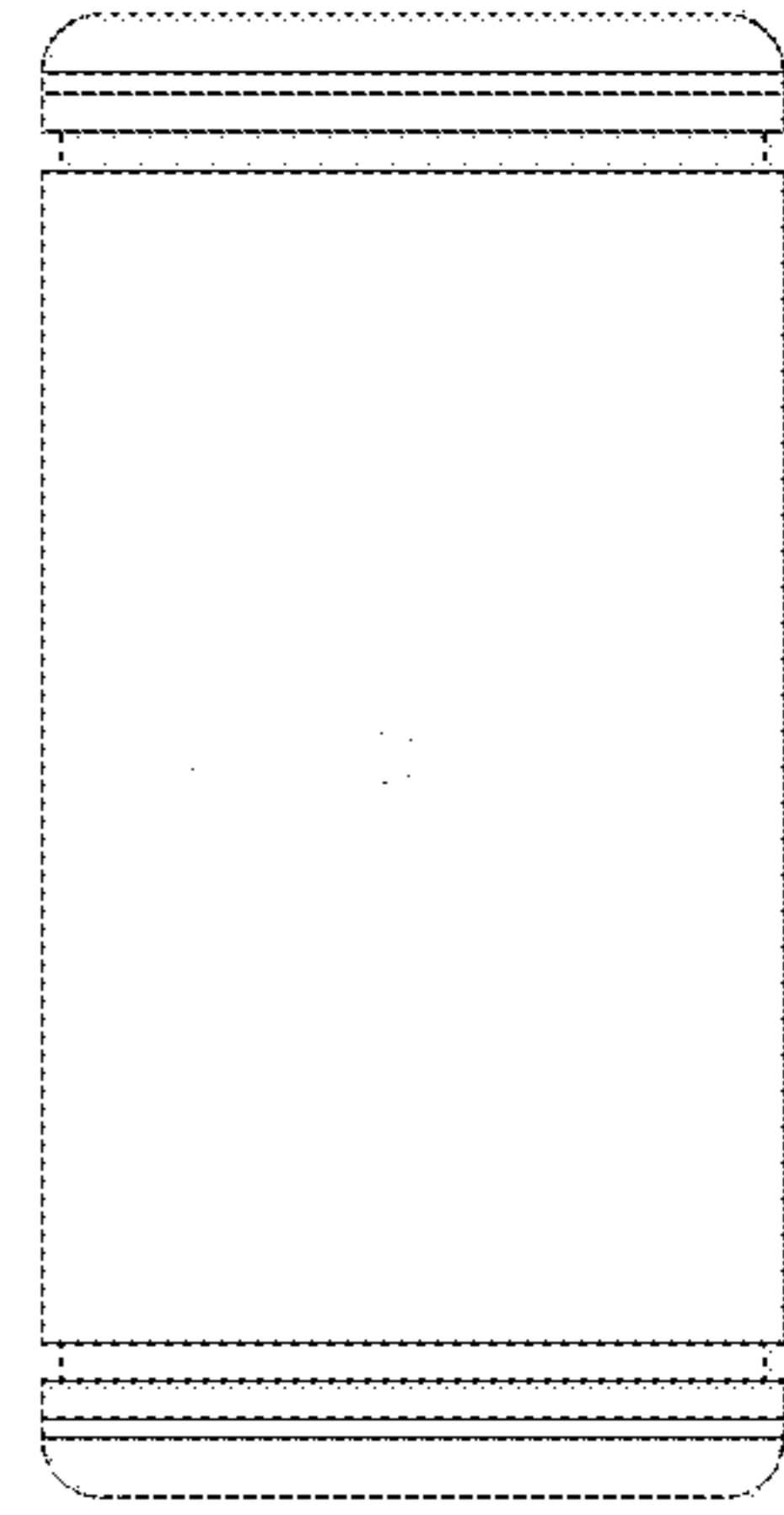


FIG. 48

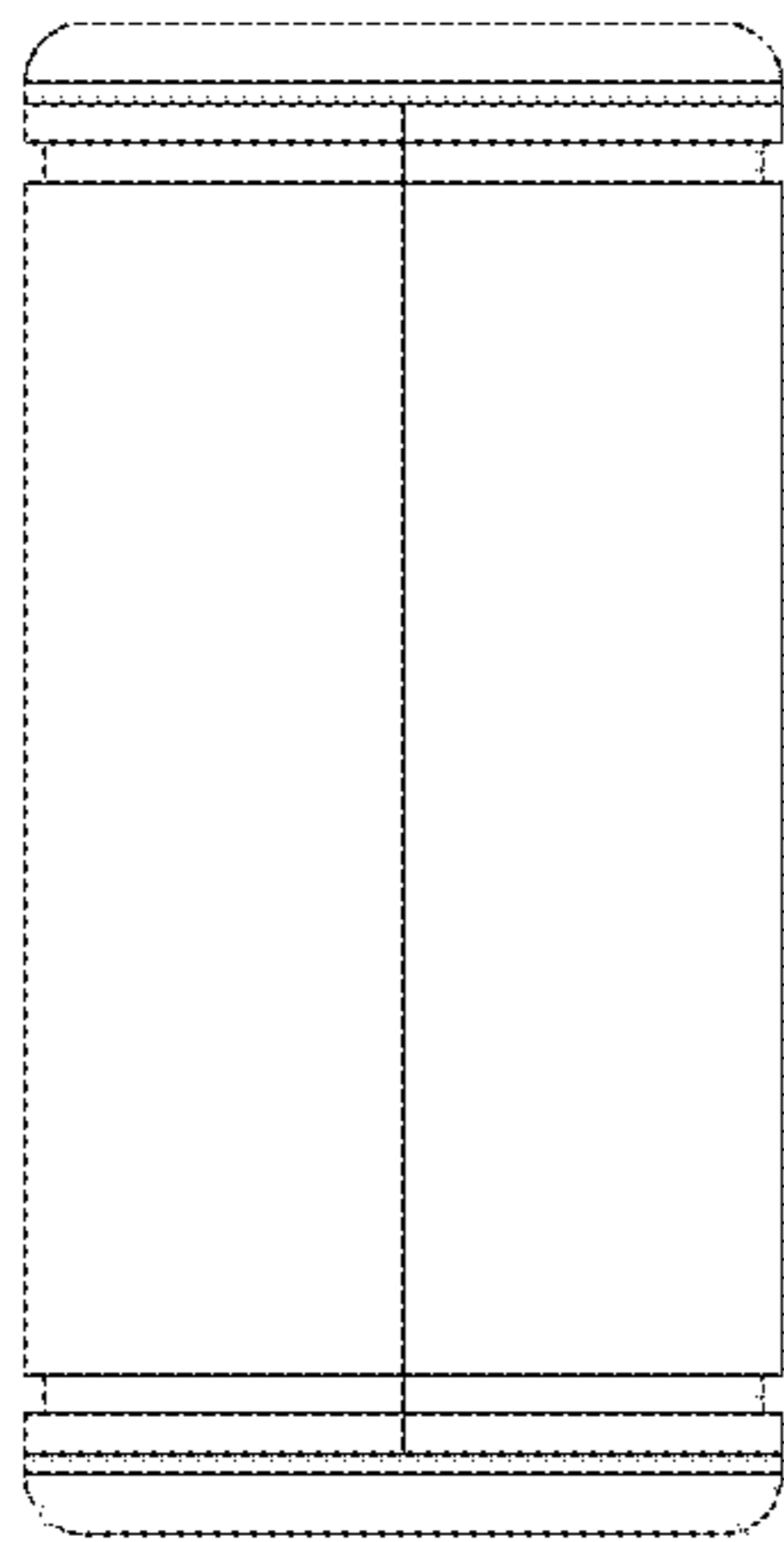


FIG. 49

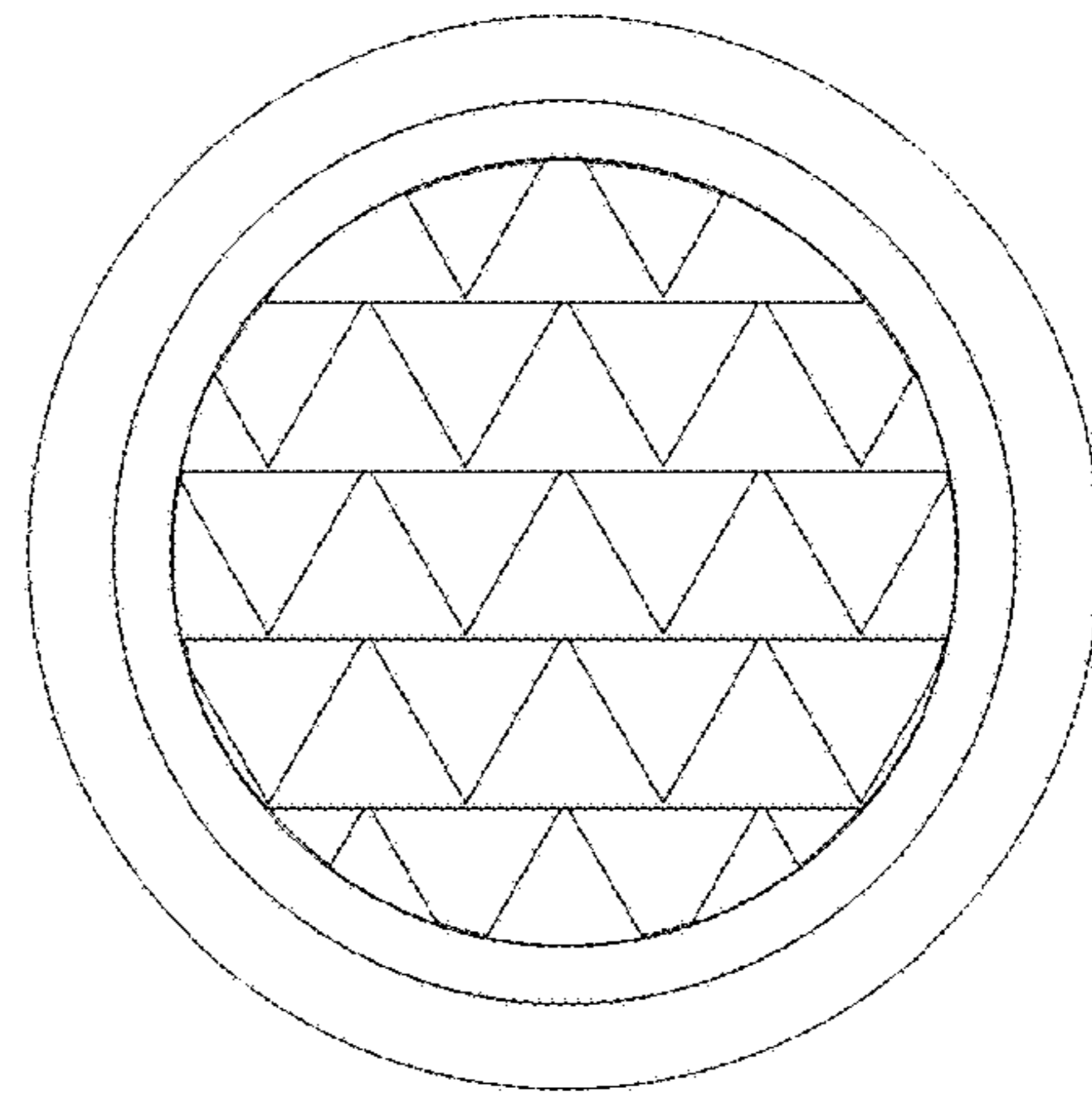


FIG. 50

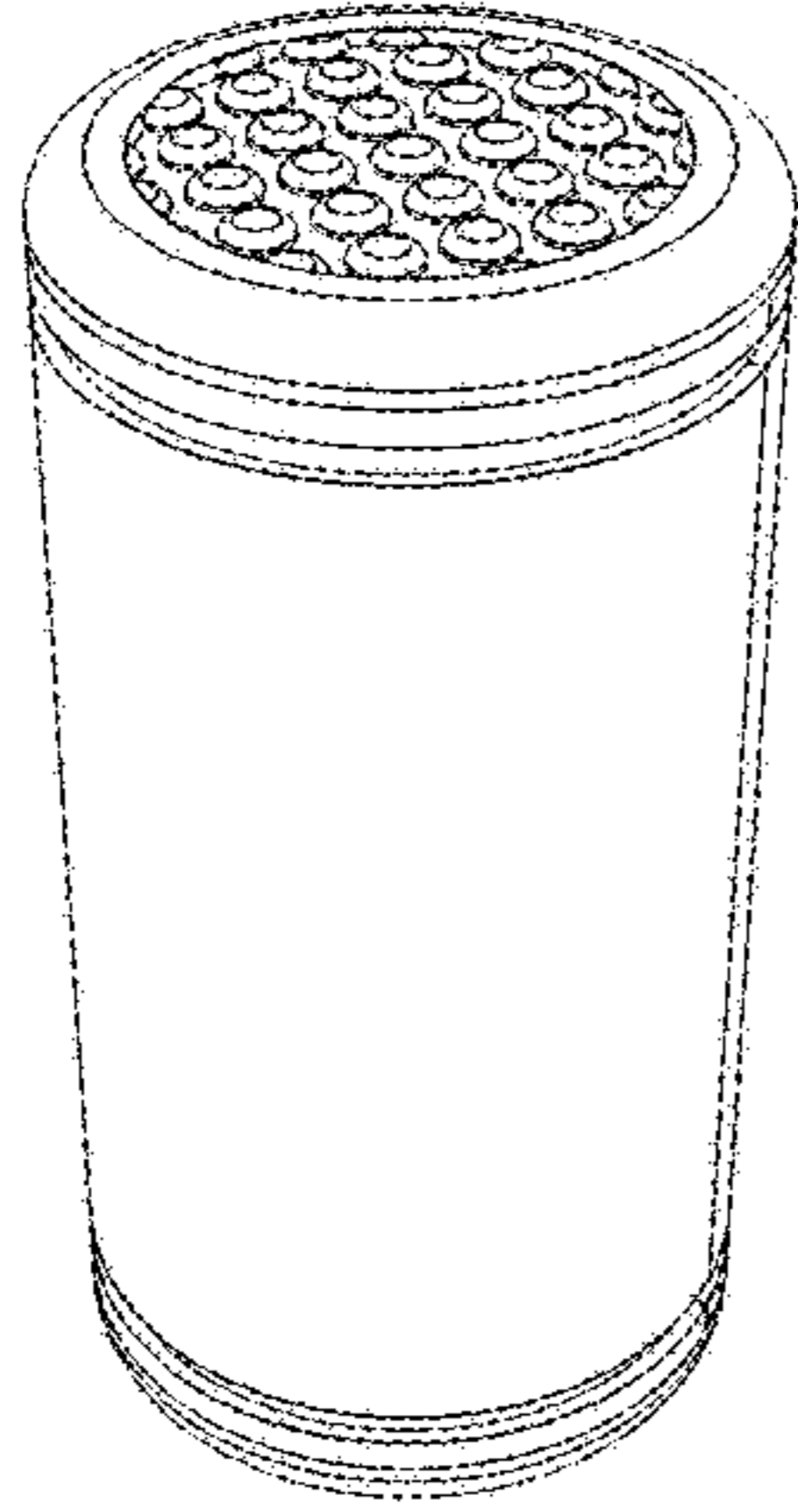


FIG. 51

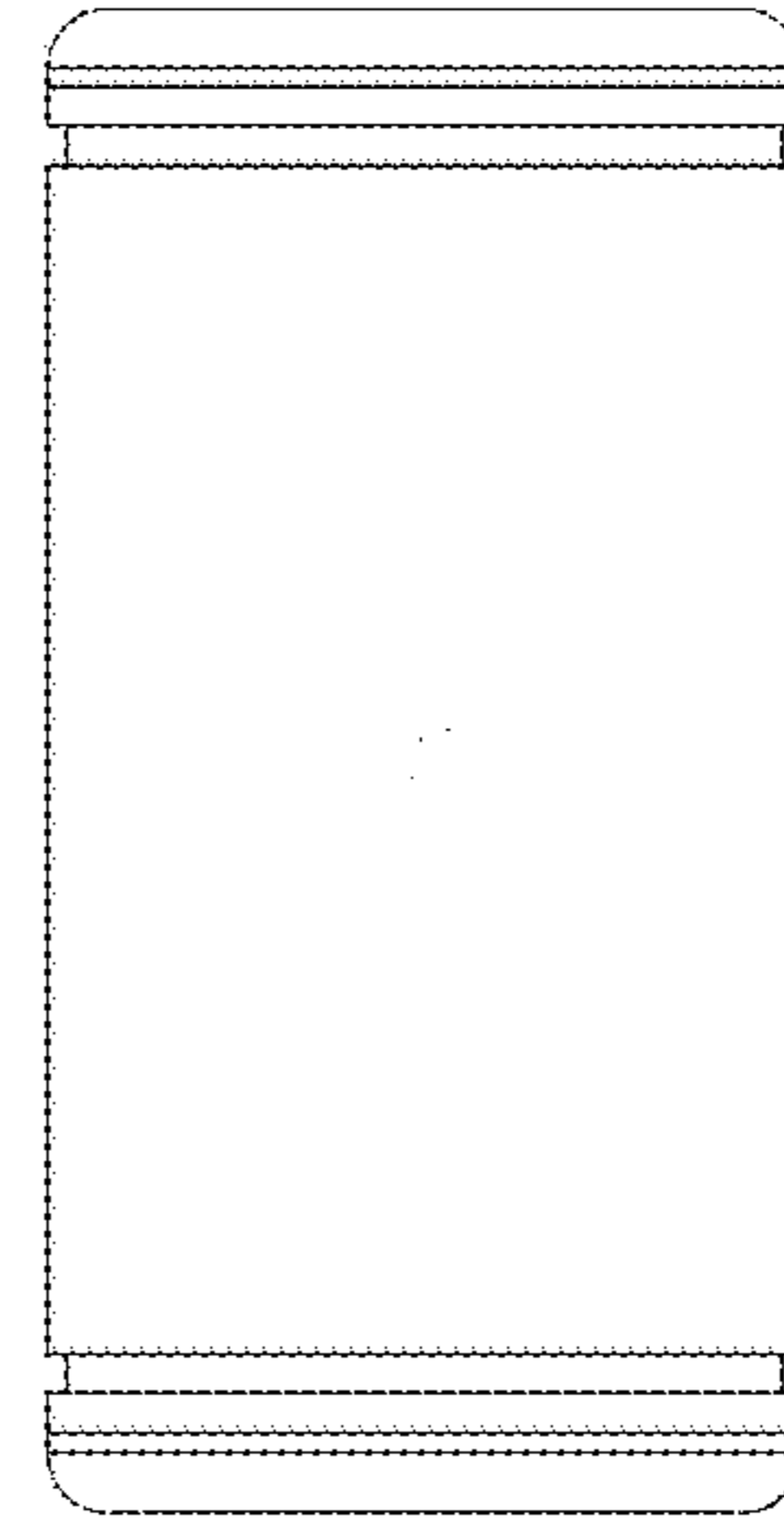


FIG. 52

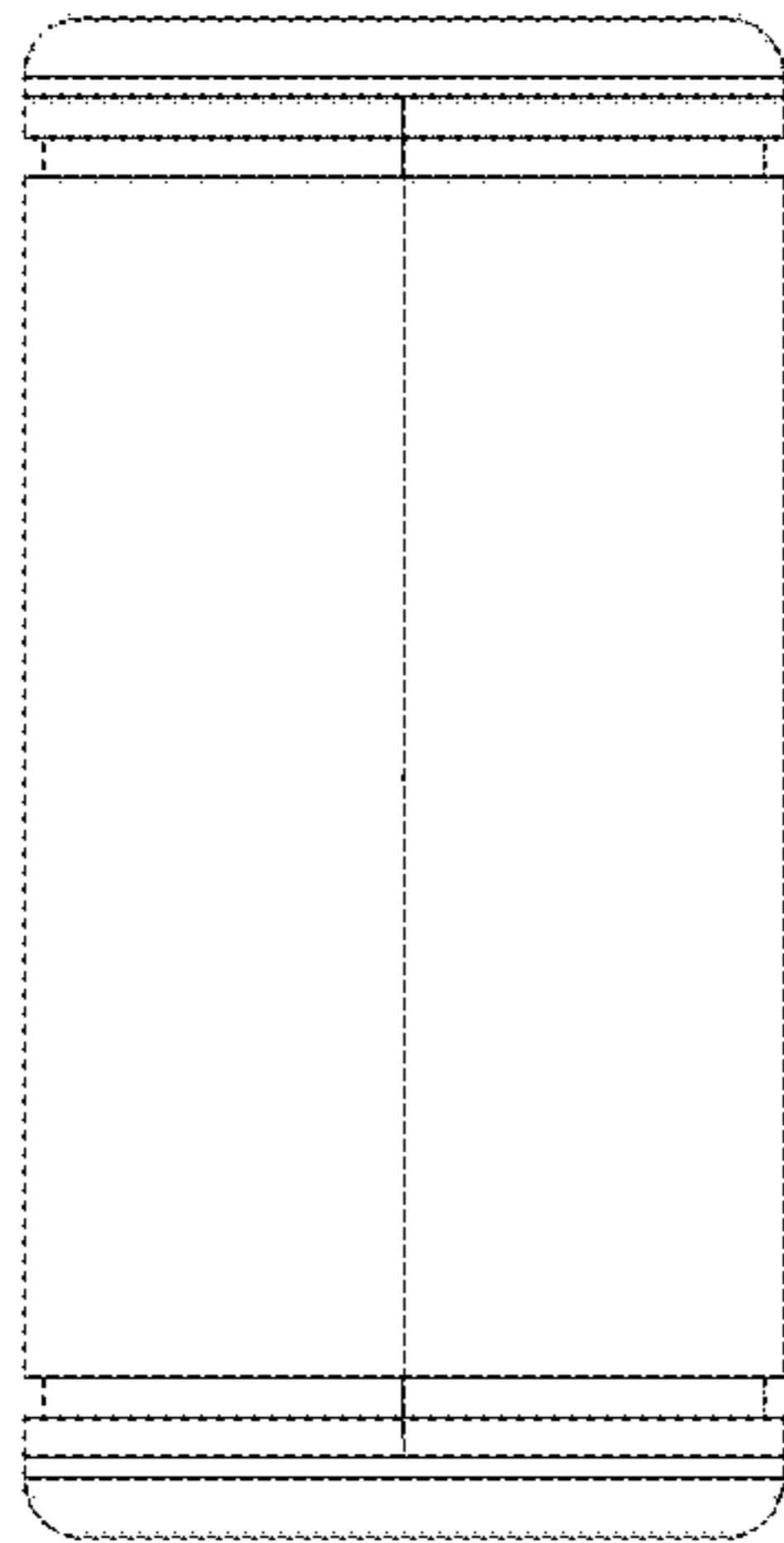


FIG. 53

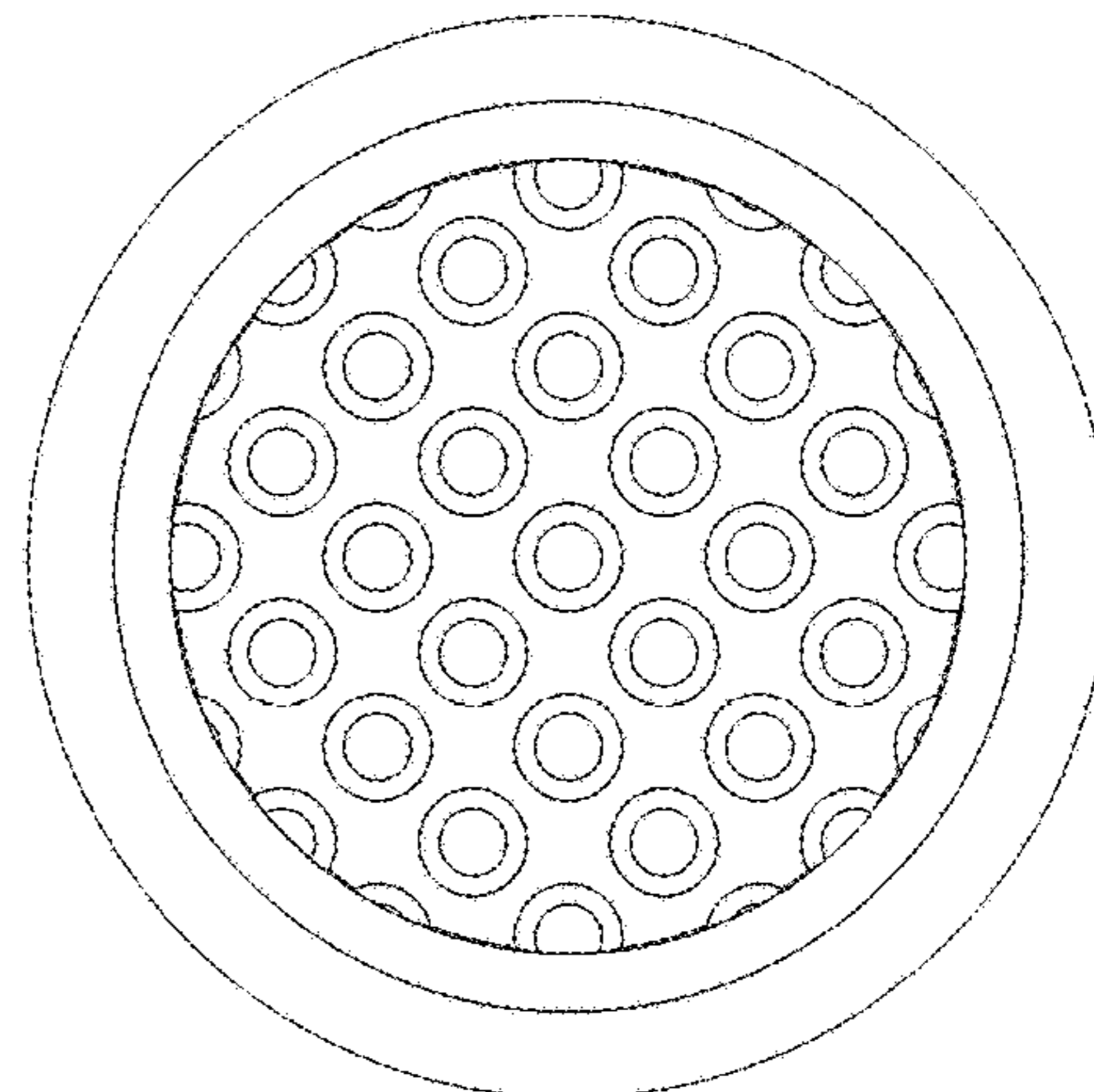


FIG. 54

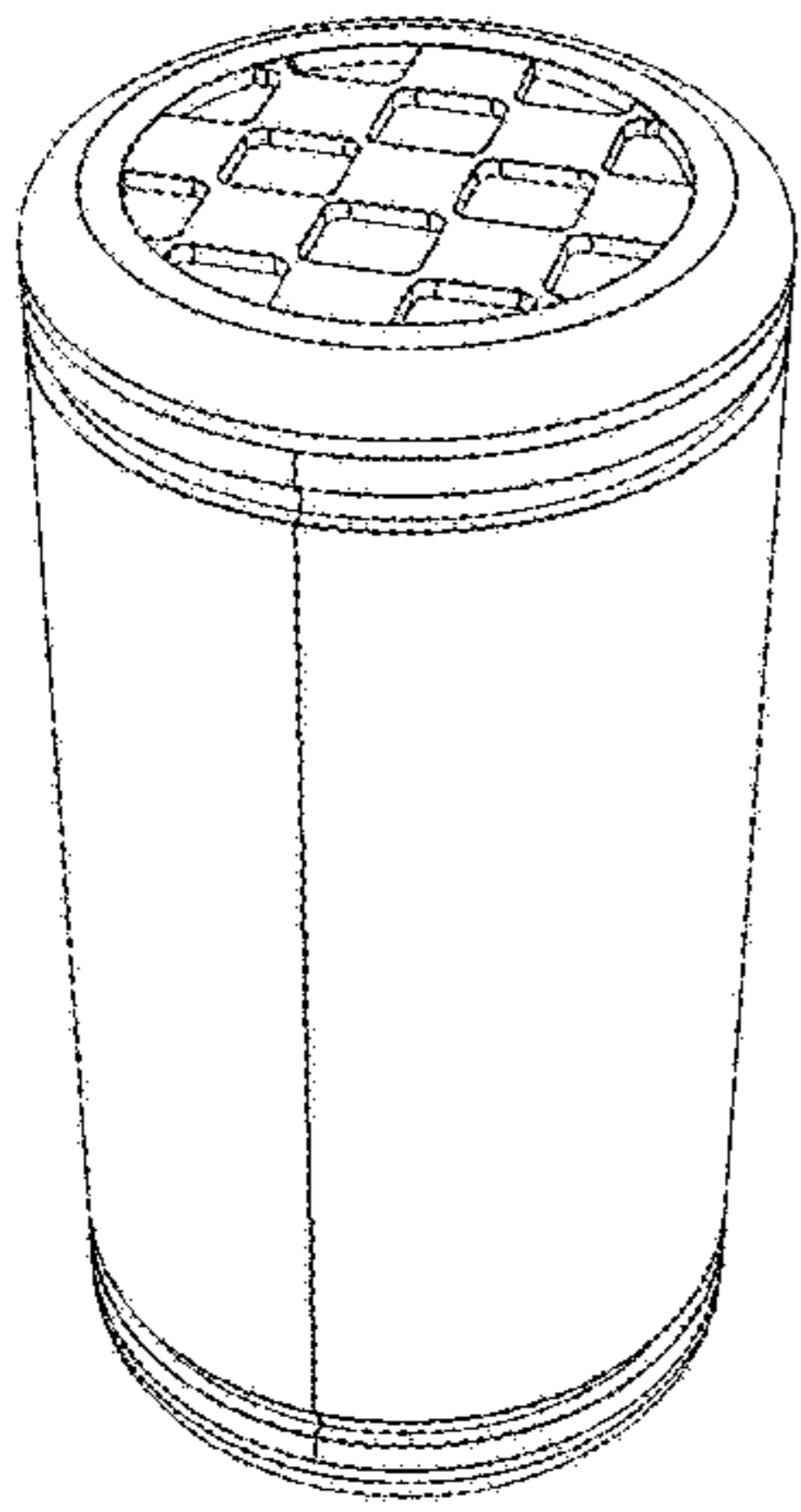


FIG. 55

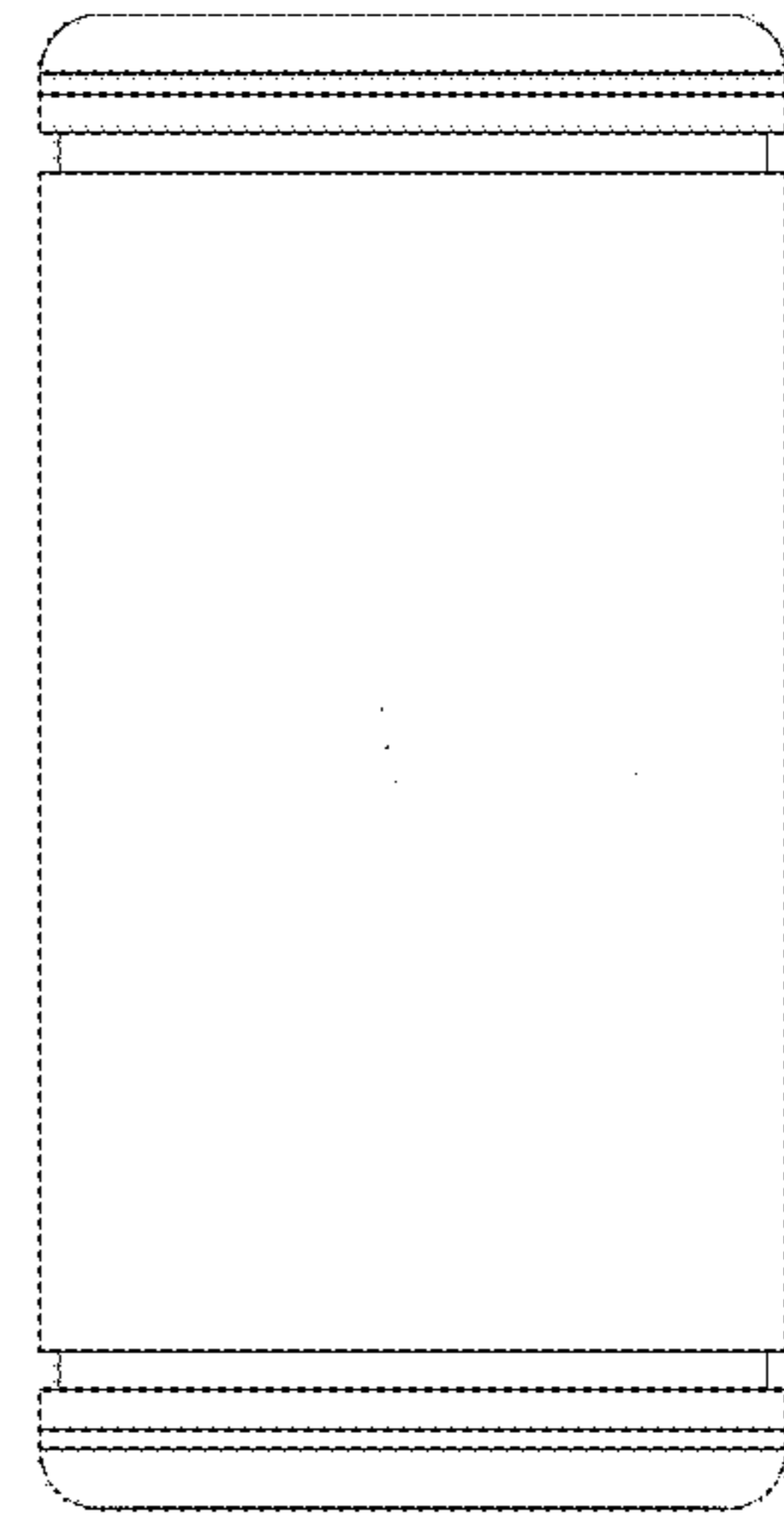


FIG. 56

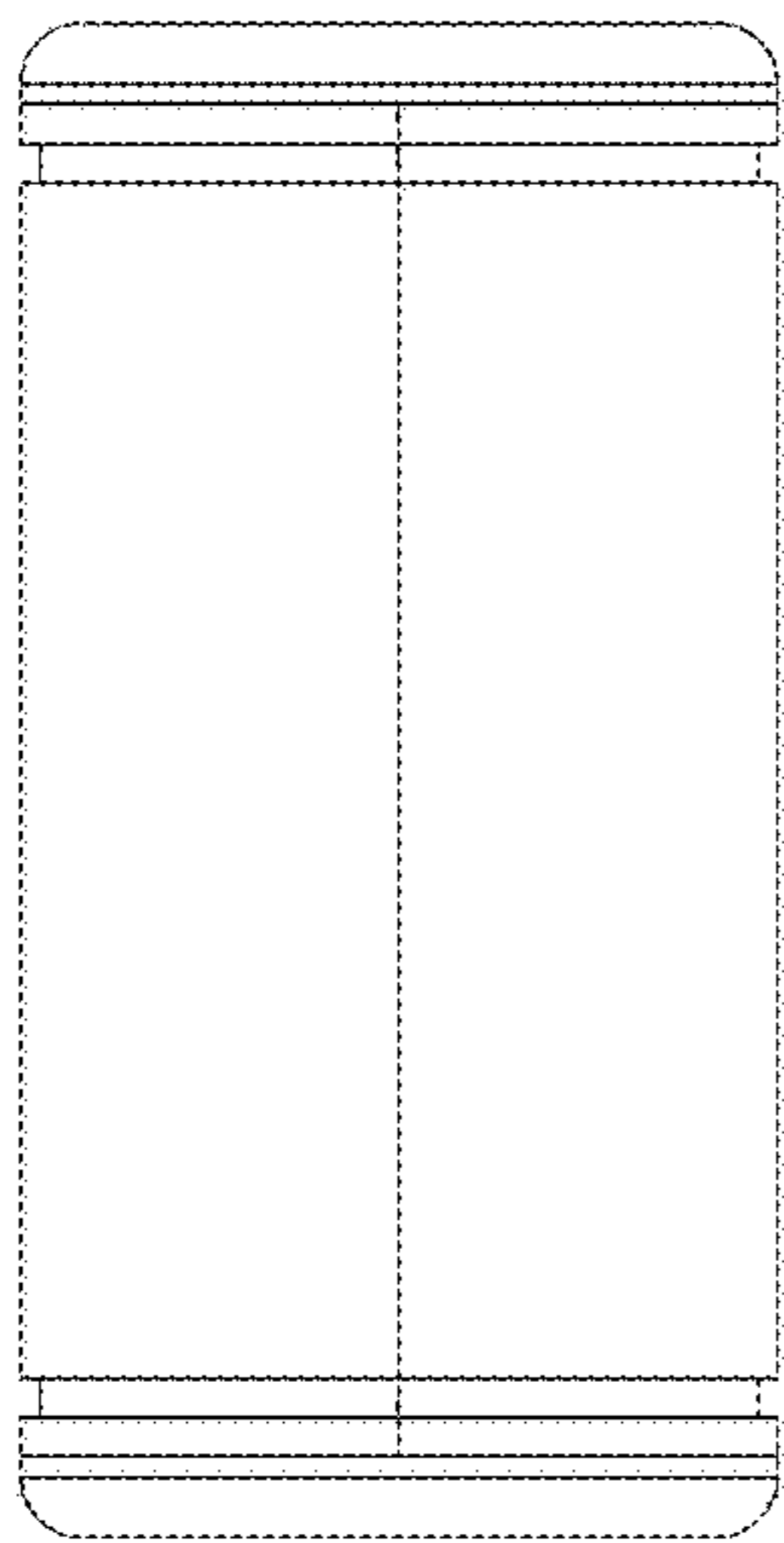


FIG. 57

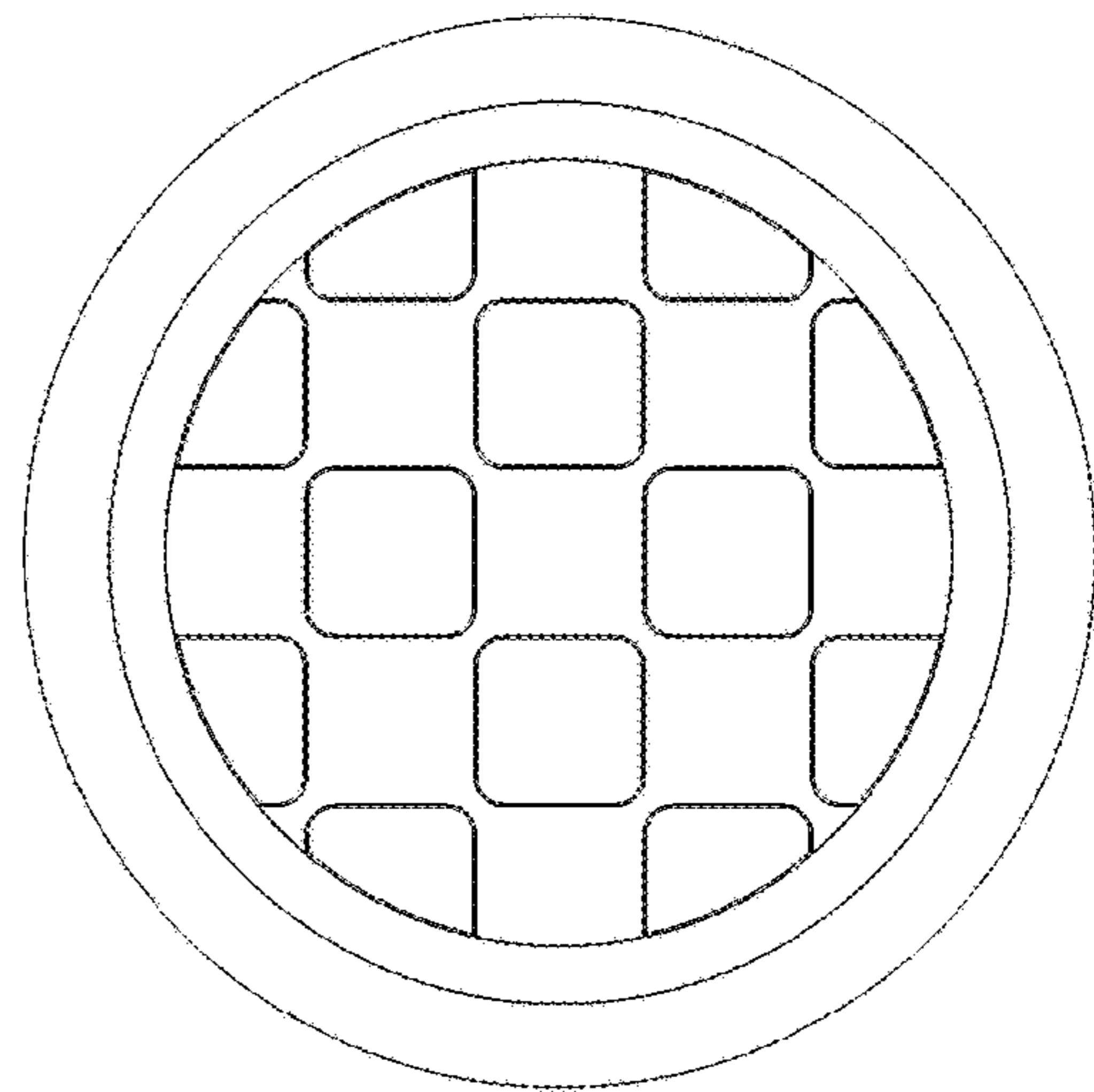


FIG. 58