



US00D822112S

(12) **United States Design Patent**  
**Nakazawa**

(10) **Patent No.:** **US D822,112 S**  
(45) **Date of Patent:** **\*\* Jul. 3, 2018**

- (54) **BALLPOINT PEN**
- (71) Applicant: **PENTEL KABUSHIKI KAISHA,**  
Tokyo (JP)
- (72) Inventor: **Hidekazu Nakazawa,** Tokyo (JP)
- (73) Assignee: **PENTEL KABUSHIKI KAISHA (JP)**
- (\*\*) Term: **15 Years**
- (21) Appl. No.: **29/571,597**
- (22) Filed: **Jul. 20, 2016**
- (30) **Foreign Application Priority Data**
  - Jan. 20, 2016 (JP) ..... 2016-000990
  - Jan. 20, 2016 (JP) ..... 2016-000991
  - Jan. 20, 2016 (JP) ..... 2016-000992
  - Jan. 20, 2016 (JP) ..... 2016-000994

- (51) **LOC (11) Cl.** ..... **19-06**
- (52) **U.S. Cl.**  
USPC ..... **D19/173; D19/917**
- (58) **Field of Classification Search**  
USPC ..... D14/411, 431; D19/115–204  
CPC . B43K 7/00; B43K 7/005; B43K 7/12; B43K  
8/04; B43K 8/06; B43K 19/00; B43K  
19/02; B43K 19/14; B43K 21/006; B43K  
23/06; B43K 24/08  
See application file for complete search history.

(56) **References Cited**

**U.S. PATENT DOCUMENTS**

- D179,982 S \* 4/1957 Rhoades ..... D19/171
- D260,021 S \* 7/1981 Carre ..... D19/176
- D332,963 S \* 2/1993 Anavil ..... D19/172
- D404,428 S \* 1/1999 Takahashi ..... D19/173
- D453,790 S \* 2/2002 Tsuchikura ..... D19/119
- D458,964 S \* 6/2002 Nakazawa ..... D19/173

- D462,716 S \* 9/2002 Tsuchida ..... 48/57
- D506,504 S \* 6/2005 Nakazawa ..... D19/172
- D525,302 S \* 7/2006 Togawa ..... D19/172
- D551,710 S \* 9/2007 Tsuchida ..... D19/174
- D581,980 S \* 12/2008 Bhavnani ..... D19/197
- D586,393 S \* 2/2009 Nishida ..... D19/174
- D593,604 S \* 6/2009 Yu ..... D19/173
- D598,954 S \* 8/2009 Wang ..... D19/170
- D603,899 S \* 11/2009 Suero, Jr. .... D19/174
- D610,616 S \* 2/2010 Li ..... D19/173
- D616,936 S \* 3/2010 Rolion ..... D19/171
- D629,461 S \* 6/2010 Liu ..... D19/170
- D629,461 S \* 12/2010 Shibata ..... D19/173
- D652,080 S \* 1/2012 Shibata ..... D19/172
- D662,985 S \* 7/2012 Liu ..... D19/173
- D690,360 S \* 9/2013 Jin ..... D19/173
- D701,573 S \* 3/2014 Ikeda ..... D19/171
- D708,670 S \* 7/2014 Zhang ..... D19/172
- D724,669 S \* 3/2015 Nakazawa ..... D19/172
- 9,784,294 B2 \* 10/2017 Uchida ..... F16B 2/10

(Continued)

*Primary Examiner* — Elizabeth Albert

(74) *Attorney, Agent, or Firm* — Adams & Wilks

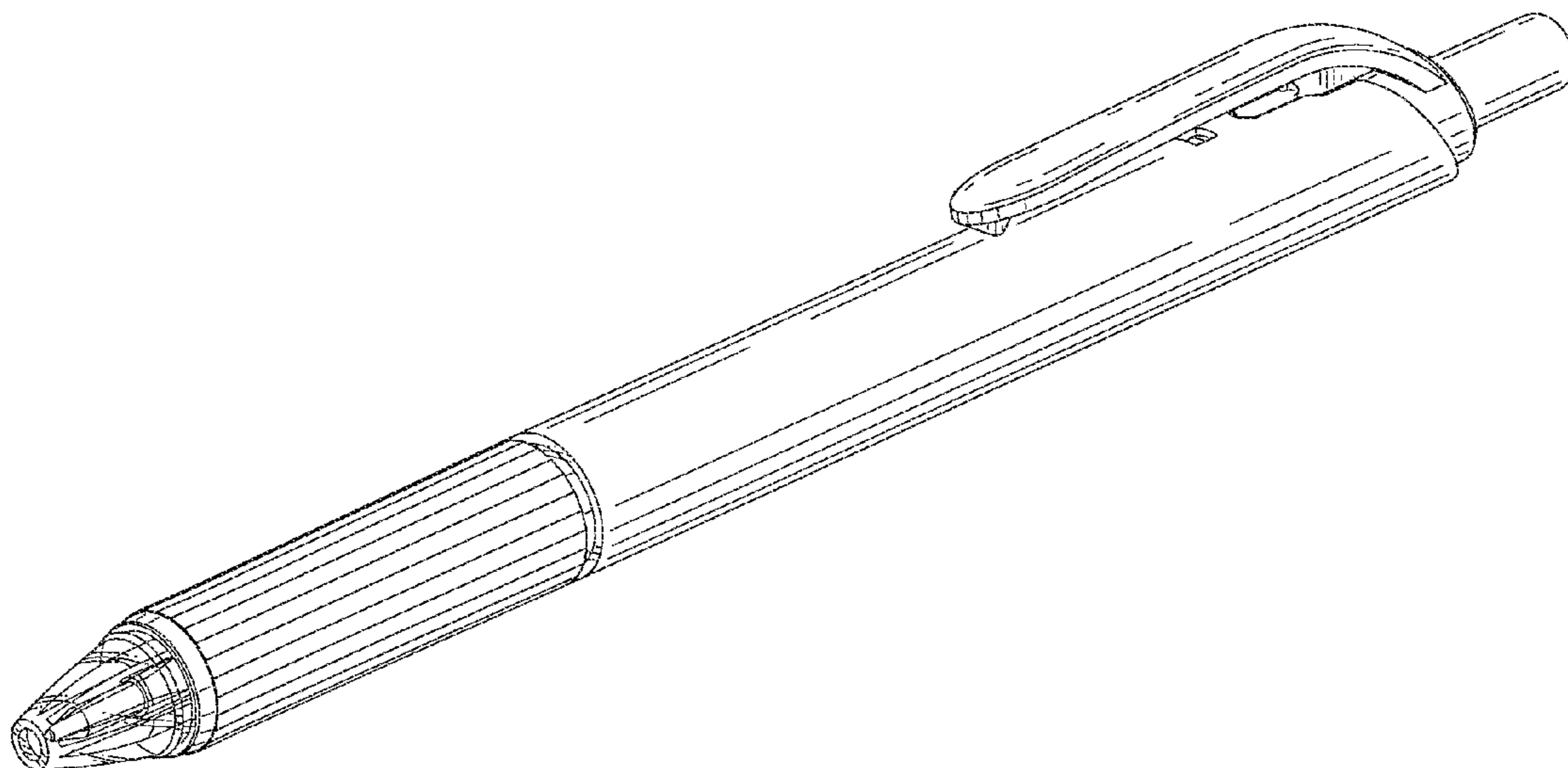
(57) **CLAIM**

The ornamental design for a ballpoint pen, as shown and described.

**DESCRIPTION**

FIG. 1 is a perspective view of a ballpoint pen showing my new design;  
 FIG. 2 is a front view thereof;  
 FIG. 3 is a back view thereof;  
 FIG. 4 is a right side view thereof;  
 FIG. 5 is a left side view thereof;  
 FIG. 6 is a bottom view thereof;  
 FIG. 7 is a top view thereof;  
 FIG. 8 is an enlarged bottom view thereof;  
 FIG. 9 is an enlarged top view thereof; and,  
 FIG. 10 is a front view thereof in a state of use.

**1 Claim, 6 Drawing Sheets**



(56)

**References Cited**

U.S. PATENT DOCUMENTS

2009/0165261 A1\* 7/2009 Furukawa ..... B43K 23/126  
24/11 R

\* cited by examiner

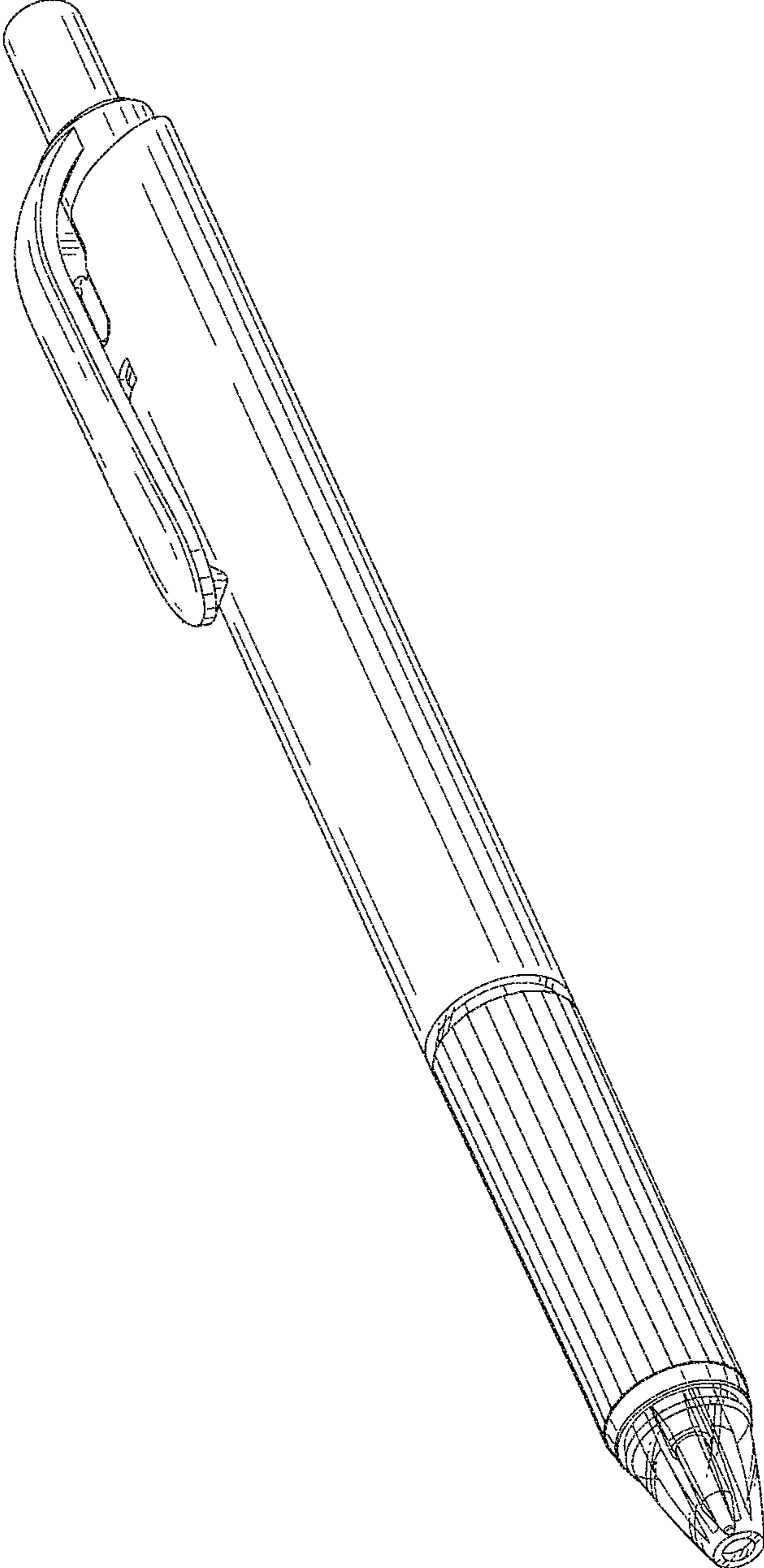


FIG. 1

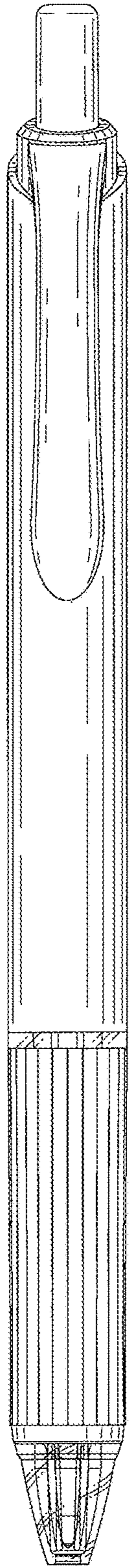


FIG. 2

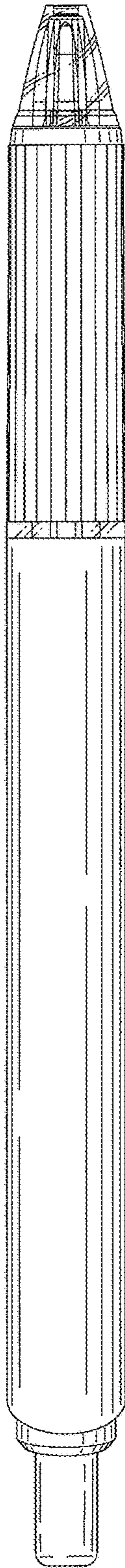


FIG. 3

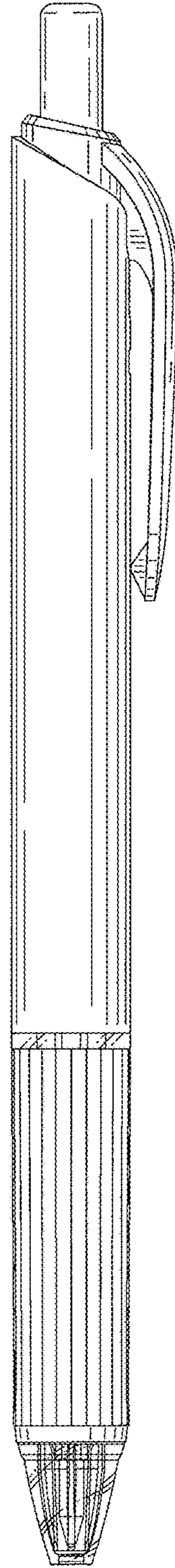


FIG. 4



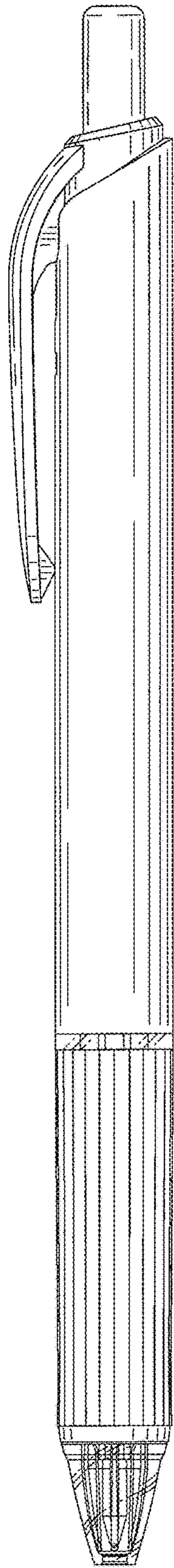


FIG. 5

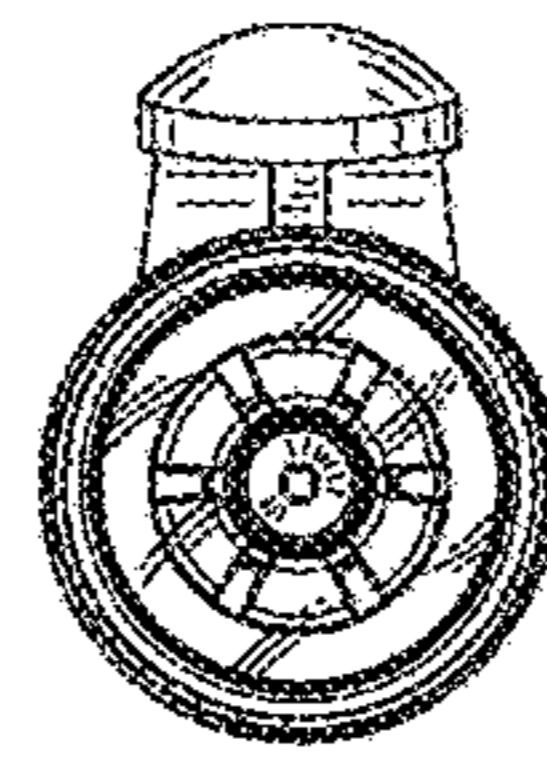


FIG. 6

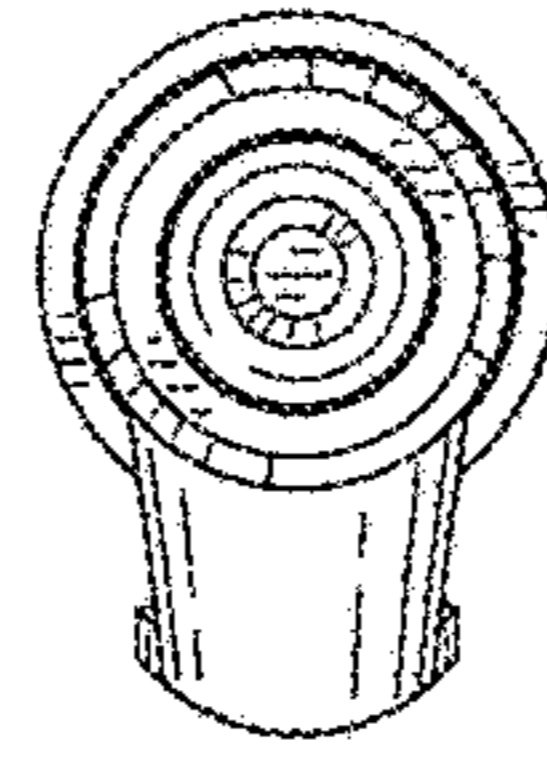


FIG. 7

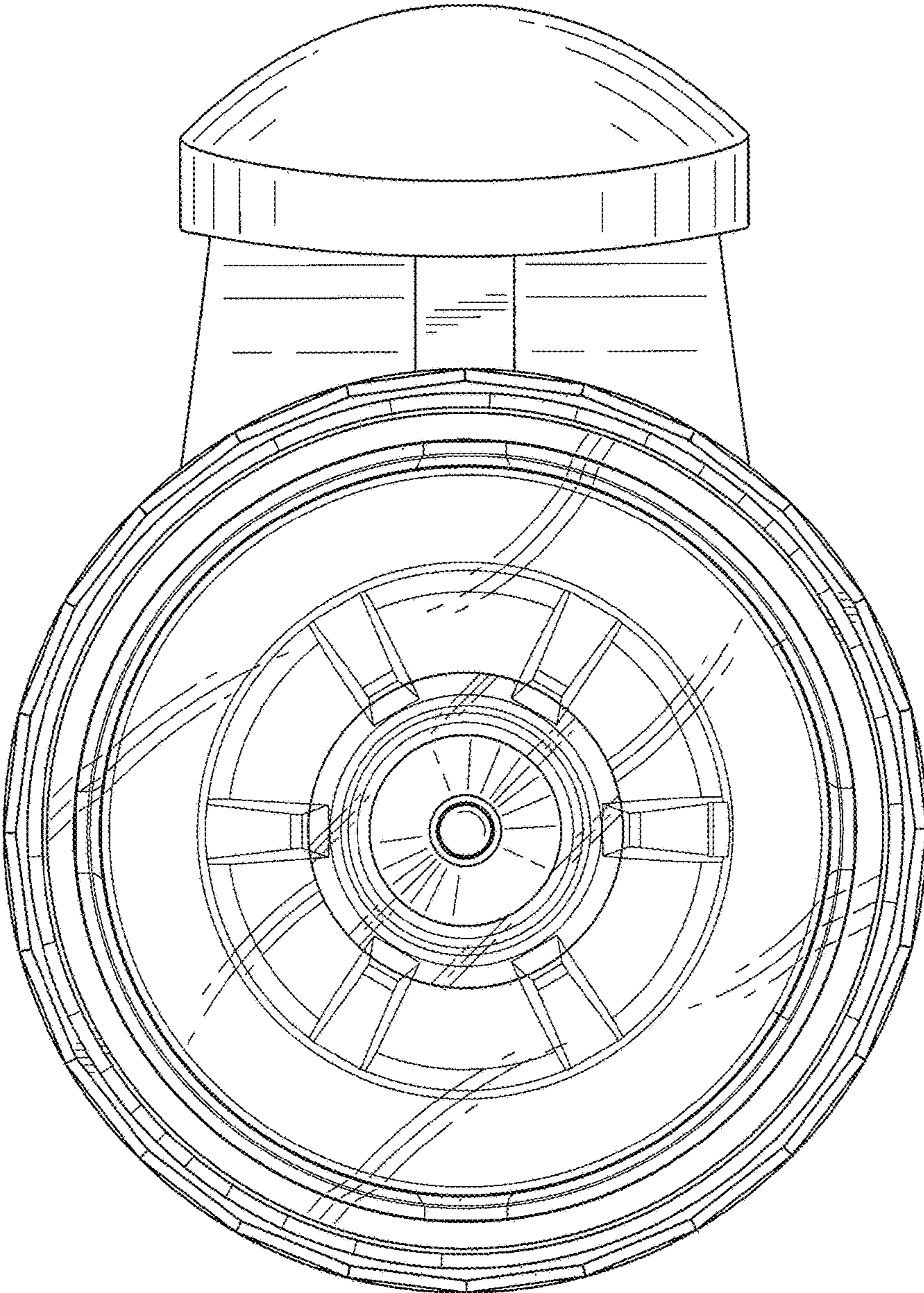


FIG. 8

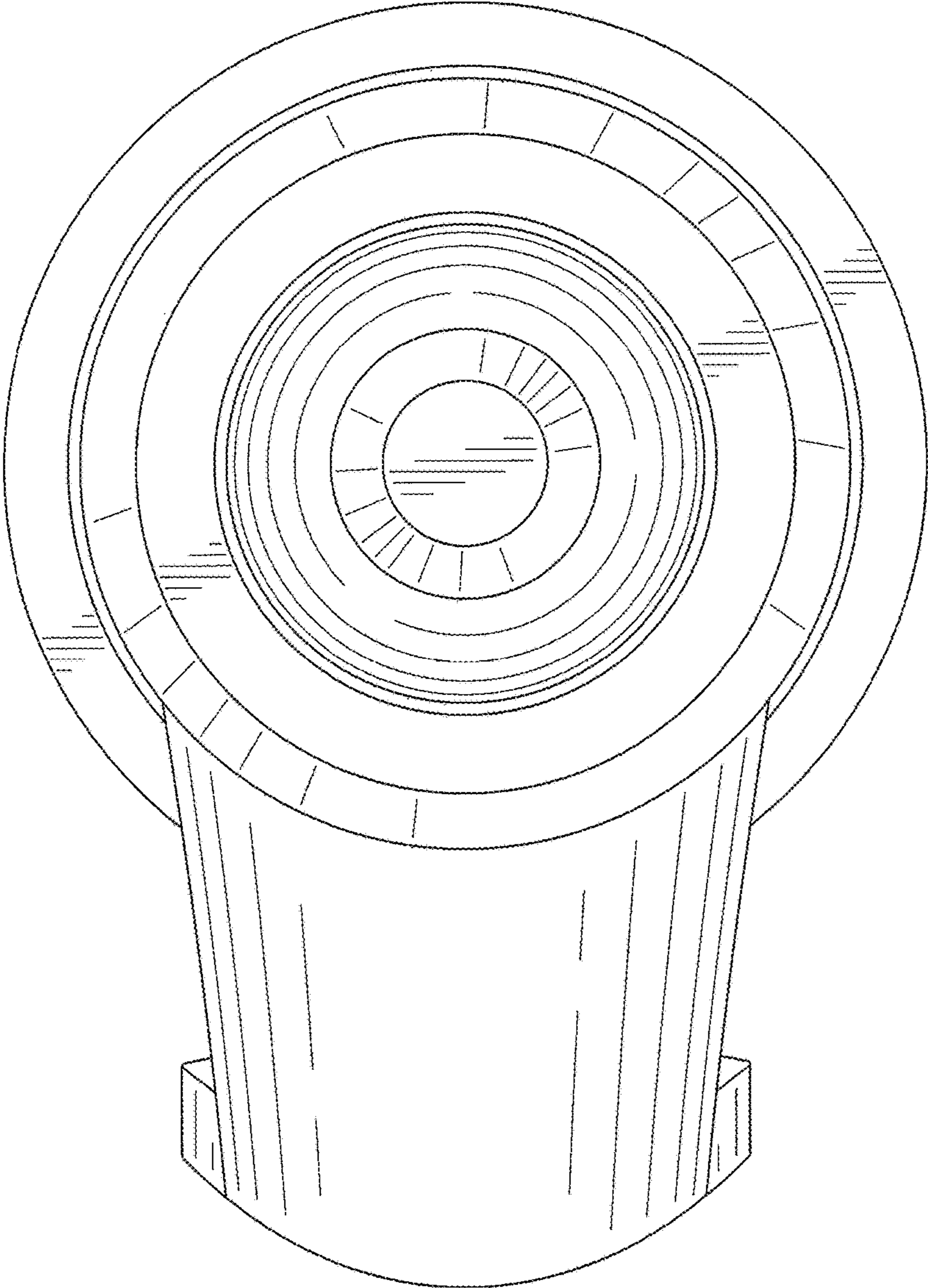


FIG. 9

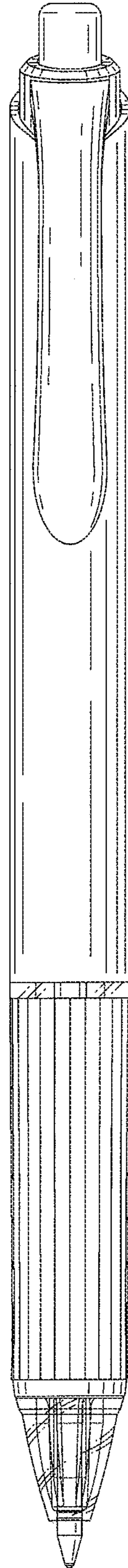


FIG. 10