



US00D822111S

(12) **United States Design Patent** (10) **Patent No.:** **US D822,111 S**  
**Iwao** (45) **Date of Patent:** **\*\* Jul. 3, 2018**

(54) **BALLPOINT PEN**  
(71) Applicant: **KABUSHIKI KAISHA PILOT CORPORATION**, Chuo-ku, Tokyo (JP)  
(72) Inventor: **Genki Iwao**, Tokyo (JP)  
(73) Assignee: **KABUSHIKI KAISHA PILOT CORPORATION**, Tokyo (JP)  
(\*\*) Term: **15 Years**  
(21) Appl. No.: **29/579,014**  
(22) Filed: **Sep. 27, 2016**

3,666,373 A \* 5/1972 Reed ..... B43K 23/126  
401/247  
D243,014 S \* 1/1977 Wittnebert ..... D19/186  
D254,912 S \* 5/1980 Ito ..... D19/164  
D260,531 S \* 9/1981 Della Beffa ..... D19/163  
D282,672 S \* 2/1986 LeBlanc ..... D19/179  
D324,236 S \* 2/1992 Gomez ..... D19/169  
D363,308 S \* 10/1995 Sekine ..... D19/168  
D367,673 S \* 3/1996 Compte ..... D19/164  
D368,930 S \* 4/1996 Payne ..... D19/168  
D393,485 S \* 4/1998 Bussiere ..... D19/179  
D442,636 S \* 5/2001 Kobayashi ..... D19/169  
D488,508 S \* 4/2004 Finney ..... D19/164  
D611,539 S \* 3/2010 Zhang ..... D19/168  
D628,646 S \* 12/2010 Zhano ..... D19/164  
D655,340 S \* 3/2012 Liu ..... D19/170  
D666,671 S \* 9/2012 Liu ..... D19/168  
D685,422 S \* 7/2013 Busquets ..... D19/164

(30) **Foreign Application Priority Data**  
Apr. 1, 2016 (JP) ..... 2016-007357  
(51) **LOC (11) Cl.** ..... **19-06**  
(52) **U.S. Cl.**  
USPC ..... **D19/164**; D19/905; D19/921  
(58) **Field of Classification Search**  
USPC ..... D14/411, 431; D19/115-204, 108  
CPC . B43K 7/00; B43K 7/005; B43K 7/12; B43K  
8/04; B43K 8/06; B43K 19/00; B43K  
19/02; B43K 19/14; B43K 21/006; B43K  
21/06; B43K 23/06; B43K 24/08  
See application file for complete search history.

\* cited by examiner

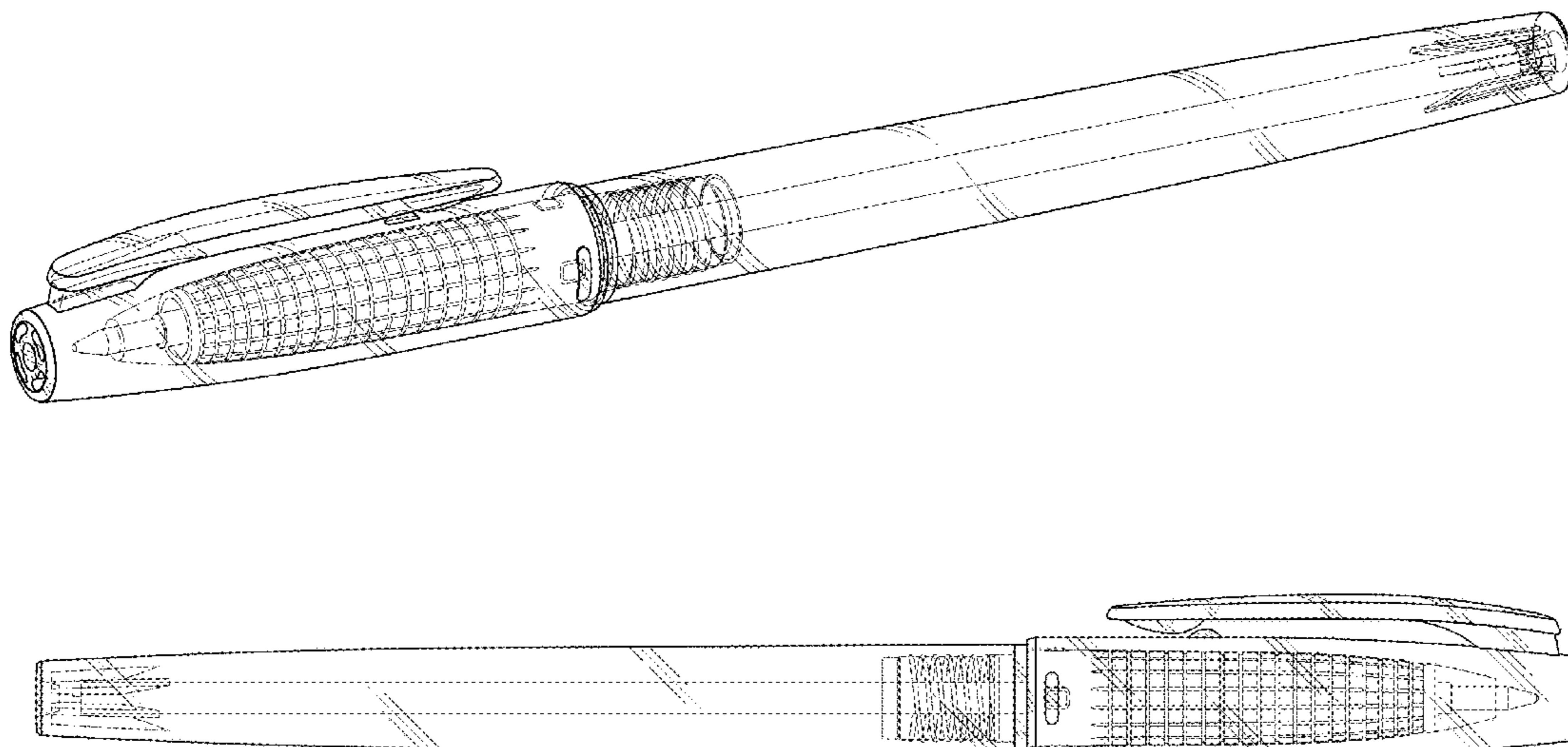
*Primary Examiner* — Elizabeth Albert  
(74) *Attorney, Agent, or Firm* — Sughrue Mion, PLLC

(56) **References Cited**  
U.S. PATENT DOCUMENTS  
D98,560 S \* 2/1936 Winter ..... D19/164  
D205,872 S \* 9/1966 Parker ..... D19/201  
D215,768 S \* 10/1969 Horie ..... D19/184  
D219,797 S \* 1/1971 Shimano et al. .... D19/164  
D221,265 S \* 7/1971 Wakai ..... D19/168

(57) **CLAIM**  
The ornamental design for a ballpoint pen, as shown and described.

**DESCRIPTION**  
FIG. 1 is a perspective view of a ballpoint pen showing my new design;  
FIG. 2 is a front view thereof;  
FIG. 3 is a rear view thereof;  
FIG. 4 is a left side view thereof;  
FIG. 5 is a right side view thereof;  
FIG. 6 is a top view thereof;  
FIG. 7 is a bottom view thereof; and,  
FIG. 8 is a perspective view thereof, with the cap removed.

**1 Claim, 4 Drawing Sheets**



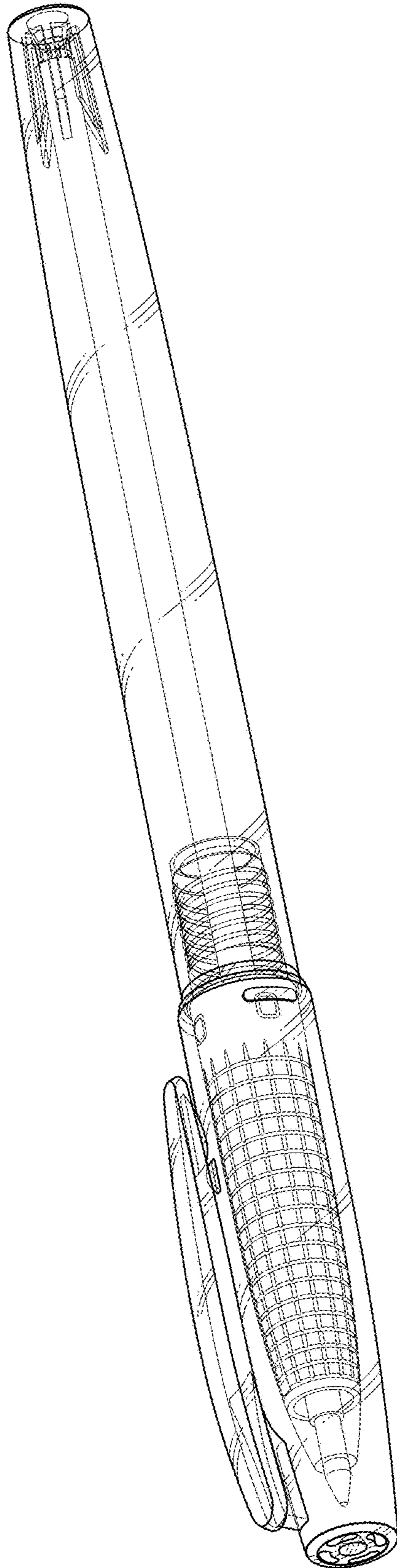


FIG. 1

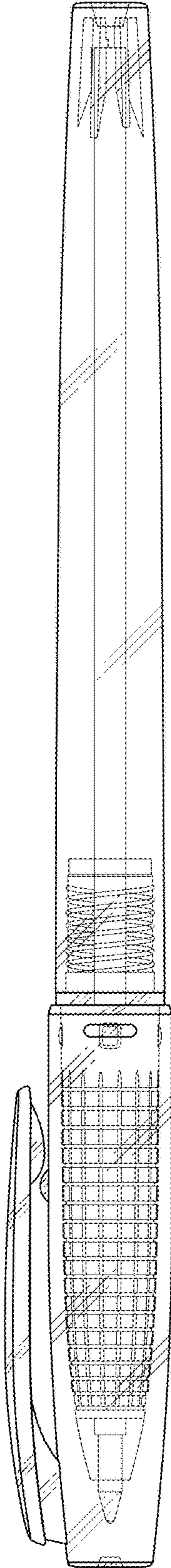


FIG. 2

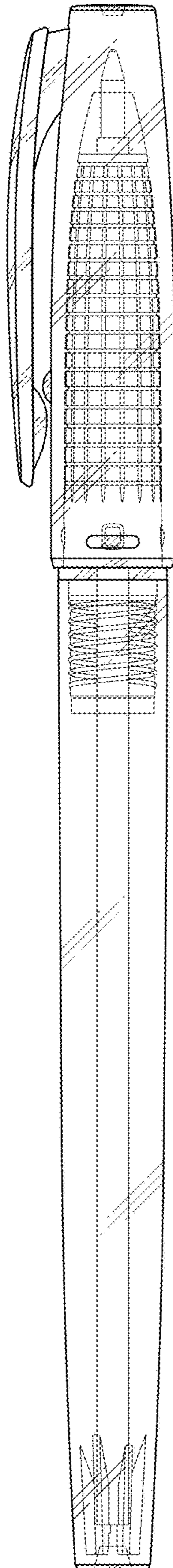


FIG. 3

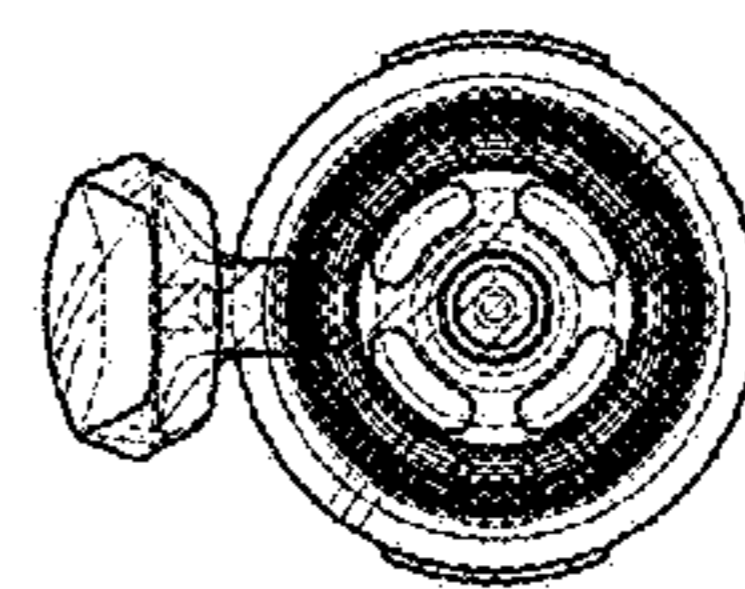


FIG. 4

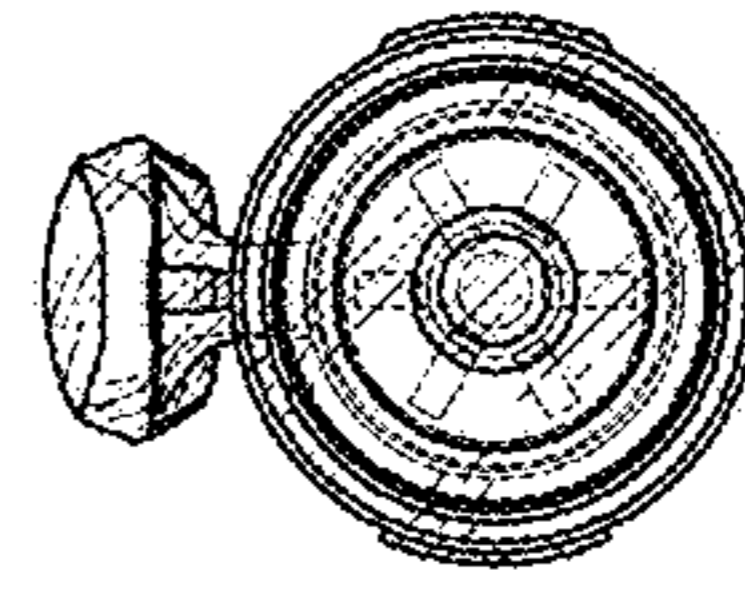


FIG. 5

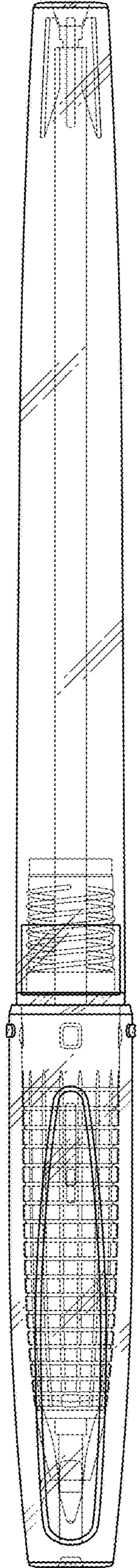


FIG. 6

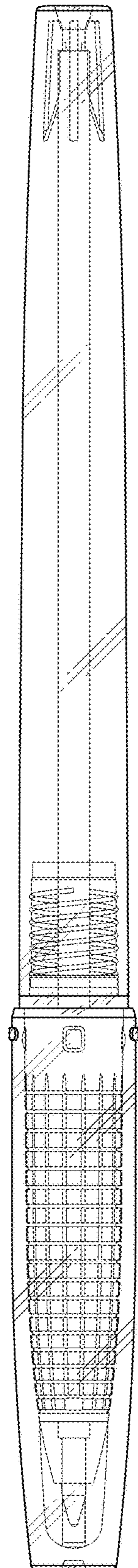


FIG. 7

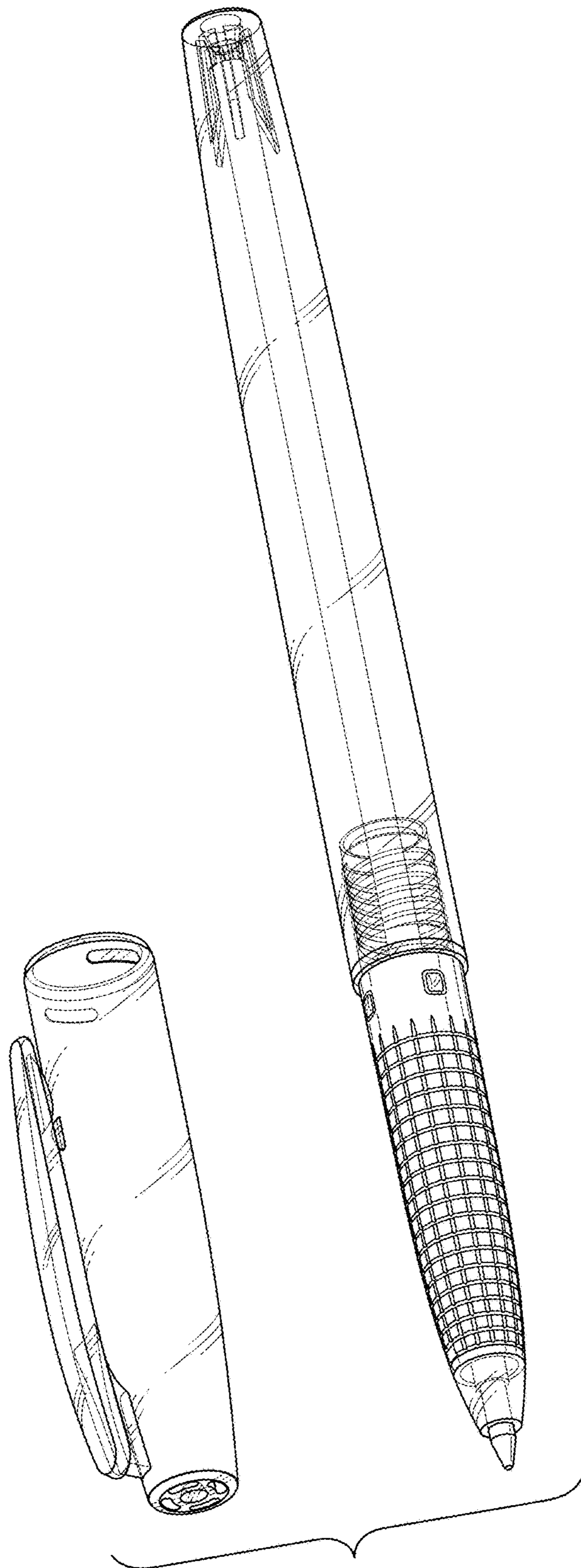


FIG. 8