



US00D822110S

(12) **United States Design Patent**  
**Maréchal et al.**

(10) **Patent No.:** **US D822,110 S**

(45) **Date of Patent:** **\*\* Jul. 3, 2018**

- (54) **PEN**
- (71) Applicant: **MONTRES BREGUET S.A.**,  
L'Abbaye (CH)
- (72) Inventors: **Sylvain Maréchal**, Bois d'Amont (FR);  
**Fabio Sciascia**, Valeyres-sous-Ursins  
(CH)
- (73) Assignee: **Montres Breguet S.A.**, L'Abbaye (CH)
- (\*\*) Term: **15 Years**
- (21) Appl. No.: **29/584,269**
- (22) Filed: **Nov. 14, 2016**
- (30) **Foreign Application Priority Data**

D139,903 S *	1/1945	Baff	.....	D19/169
D145,122 S *	7/1946	Crain	.....	D19/123
D223,307 S *	4/1972	Nickolds	.....	D19/164
D271,212 S *	11/1983	Itoh	.....	D19/165
D282,754 S *	2/1986	LeBlanc	.....	D19/163
D289,424 S *	4/1987	Huang	.....	D10/2
D323,673 S *	2/1992	Gomez	.....	D19/169
D329,460 S *	9/1992	Rousseau	.....	D19/168
D354,309 S *	1/1995	Lin	.....	D10/31
D385,912 S *	11/1997	Byun	.....	D10/2
D393,279 S *	4/1998	Byun	.....	D10/31
D478,350 S *	8/2003	Furlong	.....	D19/164
D488,397 S *	4/2004	Morelock	.....	D10/68
D548,280 S *	8/2007	Shimizu	.....	D19/168
D593,607 S *	6/2009	Nishikawa	.....	D19/201
D622,768 S *	8/2010	Tissier	.....	D19/164
D652,079 S *	1/2012	Tissier	.....	D19/170
D657,820 S *	4/2012	Bruzzi	.....	D19/150
D687,544 S *	8/2013	Stephan	.....	D24/114
D698,864 S *	2/2014	Watase	.....	D19/164
D780,267 S *	2/2017	Laucella	.....	D19/164
D802,664 S *	11/2017	Mille	.....	D19/164

- May 13, 2016 (WO) ..... DM/090 632
- (51) **LOC (11) Cl.** ..... **19-06**
- (52) **U.S. Cl.**  
USPC ..... **D19/127; D19/916**
- (58) **Field of Classification Search**  
USPC ..... D14/411; D19/115-204; D28/7, 76, 88  
CPC ... B43K 7/12; B43K 8/04; B43K 8/06; B43K  
19/00; B43K 19/02; B43K 19/14; B43K  
21/006; B43K 21/06; B43K 23/06; B43K  
24/08  
See application file for complete search history.

\* cited by examiner

*Primary Examiner* — Elizabeth Albert  
(74) *Attorney, Agent, or Firm* — Blank Rome LLP

(56) **References Cited**  
U.S. PATENT DOCUMENTS

D84,249 S *	5/1931	Larsen	.....	24/11 F
D102,720 S *	1/1937	Larsen	.....	D19/168
2,122,431 A *	7/1938	Lowy	.....	B43K 29/0875 40/335
2,147,561 A *	2/1939	Sherlock	.....	B43L 19/02 30/169

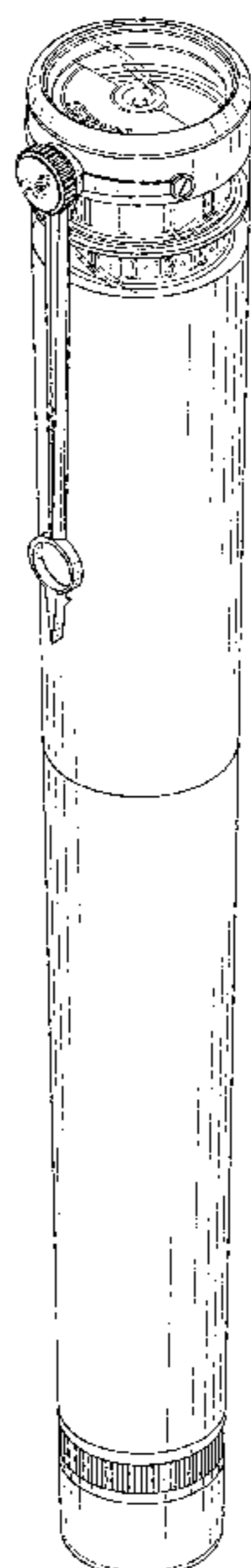
(57) **CLAIM**

The ornamental design for a pen, as shown.

**DESCRIPTION**

FIG. 1 is a front top perspective view of a pen showing our new design;  
FIG. 2 is a front view thereof;  
FIG. 3 is a rear view thereof;  
FIG. 4 is a left side view thereof;  
FIG. 5 is a right side view thereof;  
FIG. 6 is a top view thereof;  
FIG. 7 is a bottom view thereof; and,  
FIG. 8 is a rear top perspective view thereof.

**1 Claim, 5 Drawing Sheets**



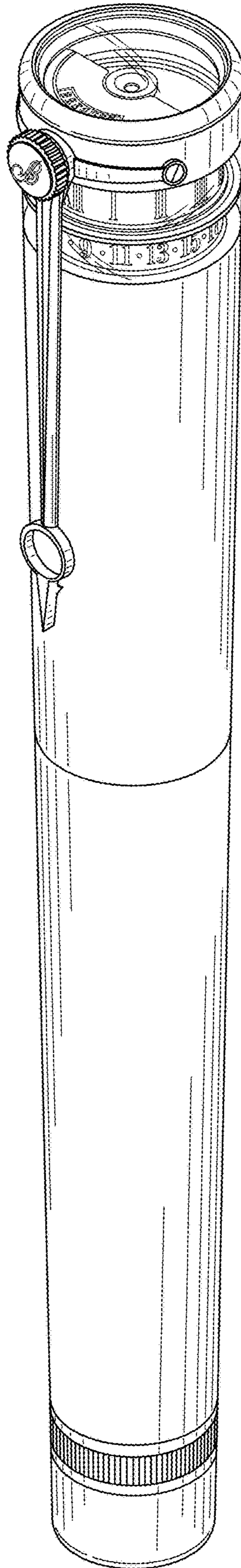


FIG. 1

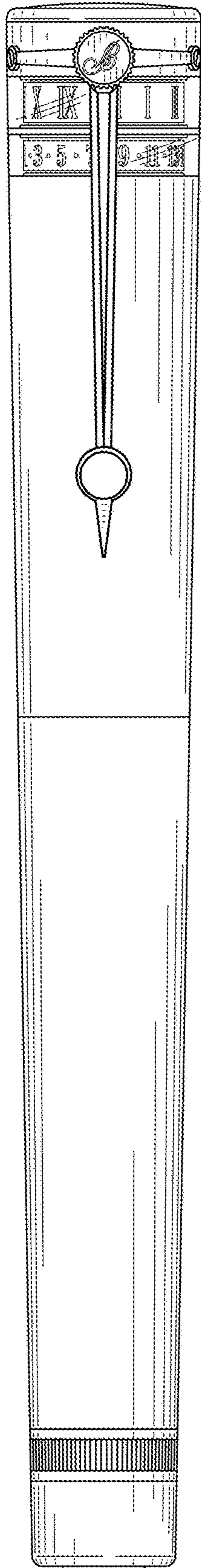


FIG. 2

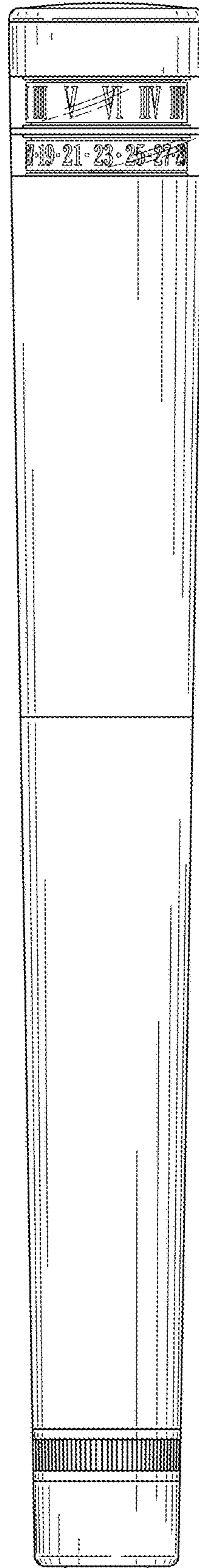


FIG. 3

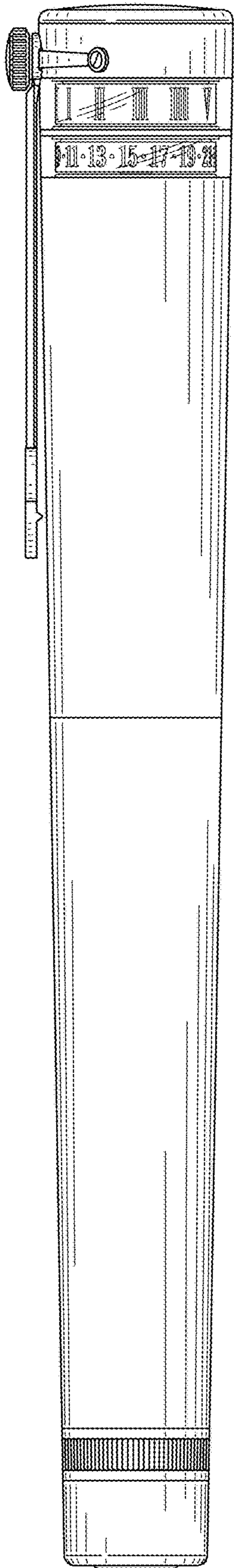


FIG. 4

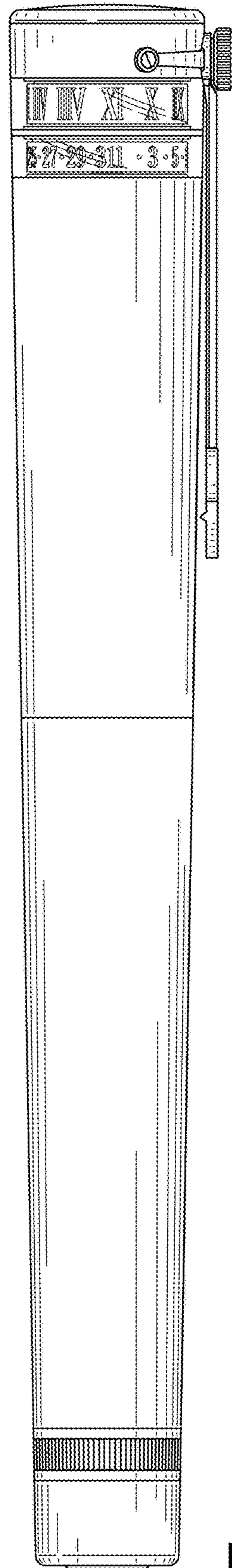


FIG. 5

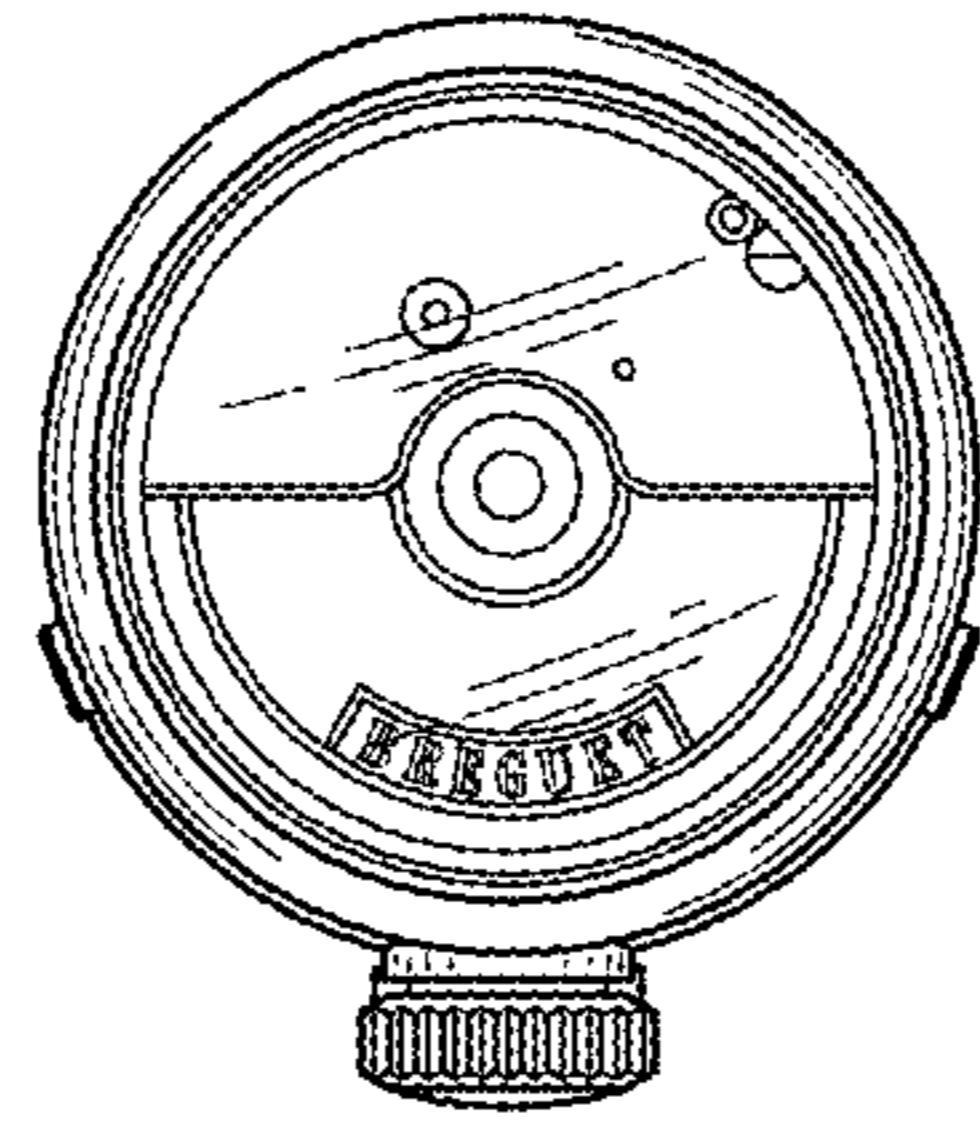


FIG. 6

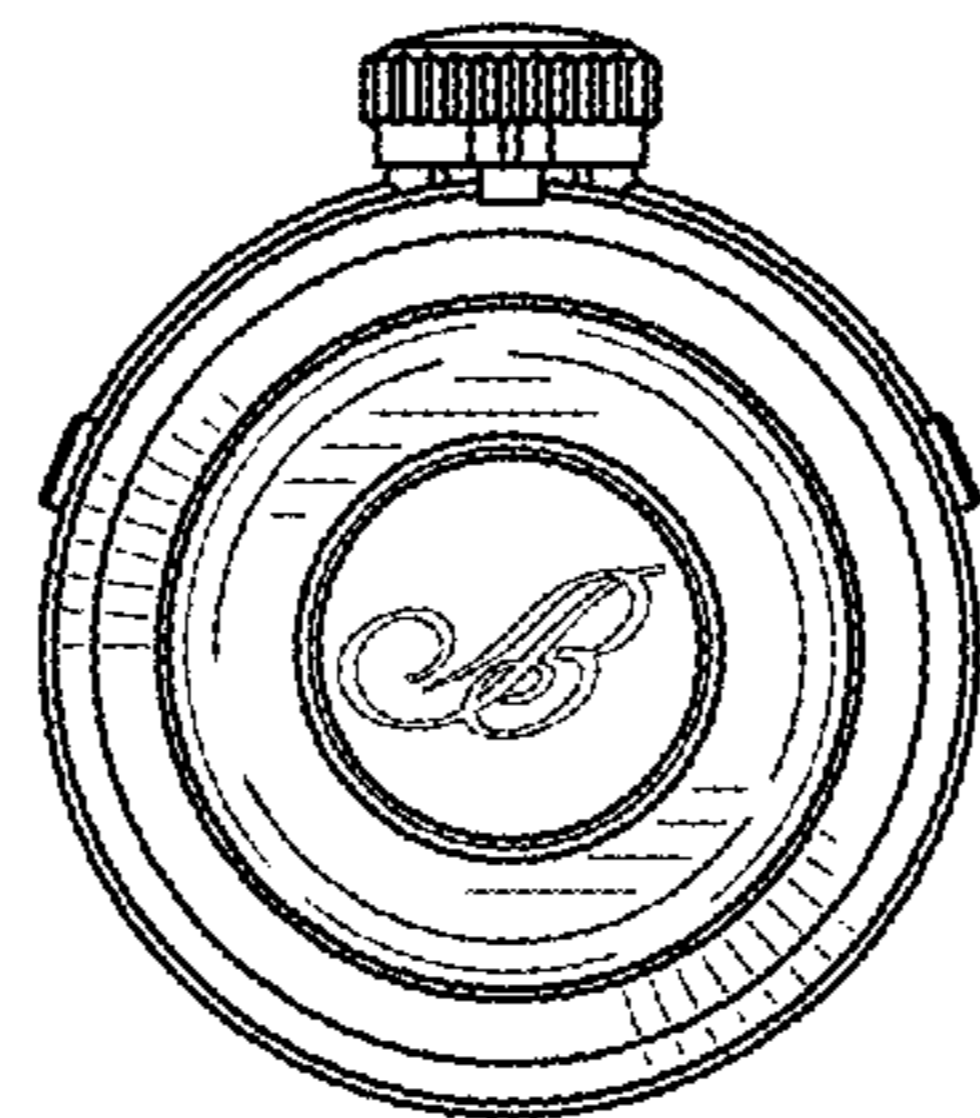


FIG. 7

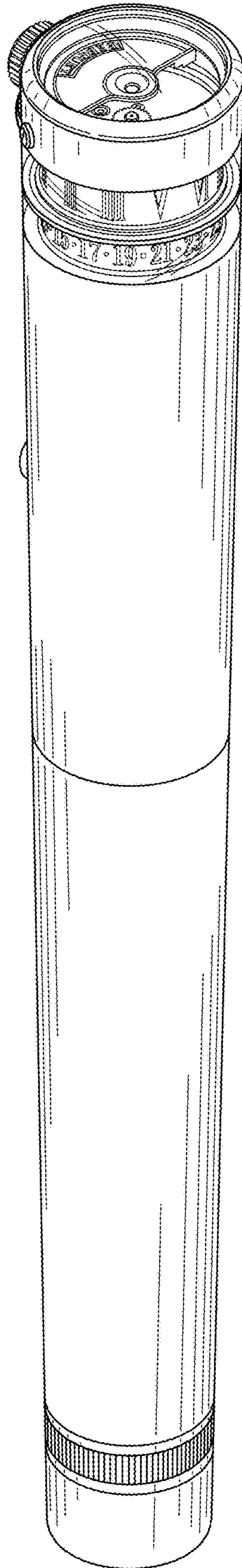


FIG. 8