



US00D822109S

(12) **United States Design Patent**
Avallon et al.

(10) **Patent No.:** **US D822,109 S**
(45) **Date of Patent:** **** Jul. 3, 2018**

(54) **DRY ERASE BOARD PIVOTED TO A TABLE**

(71) Applicants: **Jeff Avallon**, Boston, MA (US); **Primo Orpilla**, San Francisco, CA (US)

(72) Inventors: **Jeff Avallon**, Boston, MA (US); **Primo Orpilla**, San Francisco, CA (US)

(**) Term: **15 Years**

(21) Appl. No.: **29/606,899**

(22) Filed: **Jun. 8, 2017**

(51) **LOC (11) Cl.** **19-06**

(52) **U.S. Cl.**
USPC **D19/114; D6/691.1**

(58) **Field of Classification Search**
USPC D19/113, 114; D20/10, 19, 40, 41, 42;
D6/300-302, 308, 310-312, 691, 691.6
CPC .. B43L 1/00; B43L 1/004; B43L 1/008; B43L
1/10; B43L 1/12; G09F 7/04
See application file for complete search history.

(56) **References Cited**

U.S. PATENT DOCUMENTS

392,565	A *	11/1888	Larew	A47B 97/08 248/464
513,080	A *	1/1894	Butler	A47B 97/04 312/230
752,990	A *	2/1904	Miller	A47B 97/04 312/230
1,469,212	A *	10/1923	De Pew	A47B 97/08 232/1 C
2,016,421	A *	10/1935	Eichner	B25H 3/04 211/1
2,485,517	A *	10/1949	Vaule	A47B 97/08 248/464
2,741,868	A *	4/1956	Saunders	A47B 19/06 108/62
2,844,897	A *	7/1958	Vance, Jr.	E01F 9/688 248/166

3,153,872	A *	10/1964	Noel	G09F 15/0062 116/63 P
3,294,251	A *	12/1966	Howell	A47F 5/108 211/195
D214,061	S *	5/1969	Solo	D6/641
3,467,259	A *	9/1969	Silver	A47B 97/04 206/0.7
3,759,482	A *	9/1973	Wright	A47B 97/08 248/449
4,005,537	A *	2/1977	von Camber	E01F 13/02 40/606.19
D261,712	S *	11/1981	Ferdinand	D6/691
D266,128	S *	9/1982	Ferdinand	D6/684

(Continued)

Primary Examiner — Elizabeth Albert

(74) *Attorney, Agent, or Firm* — J. Curtis Edmondson;
Anitha Shankarnarayan; Law Offices of J. Curtis
Edmondson

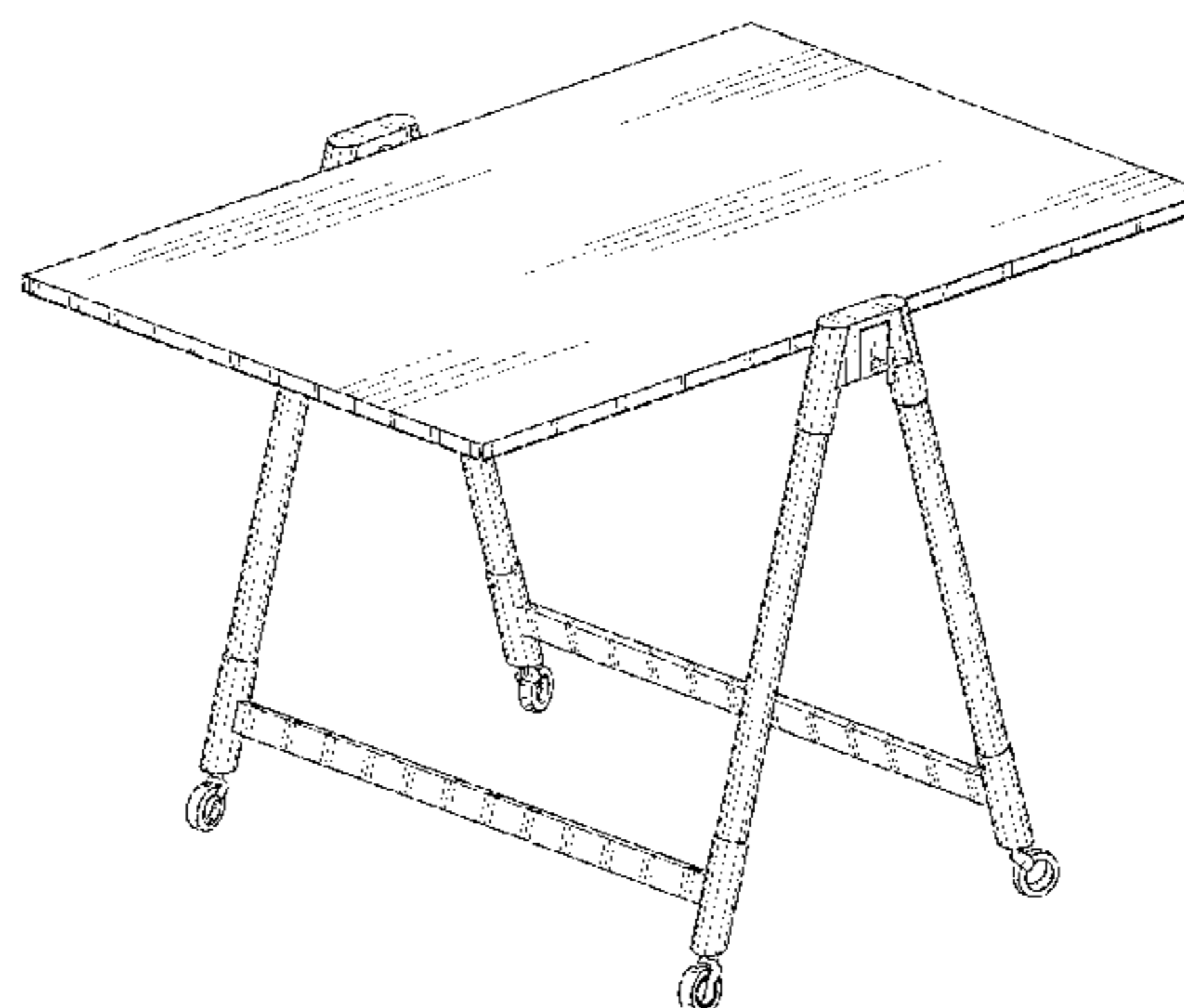
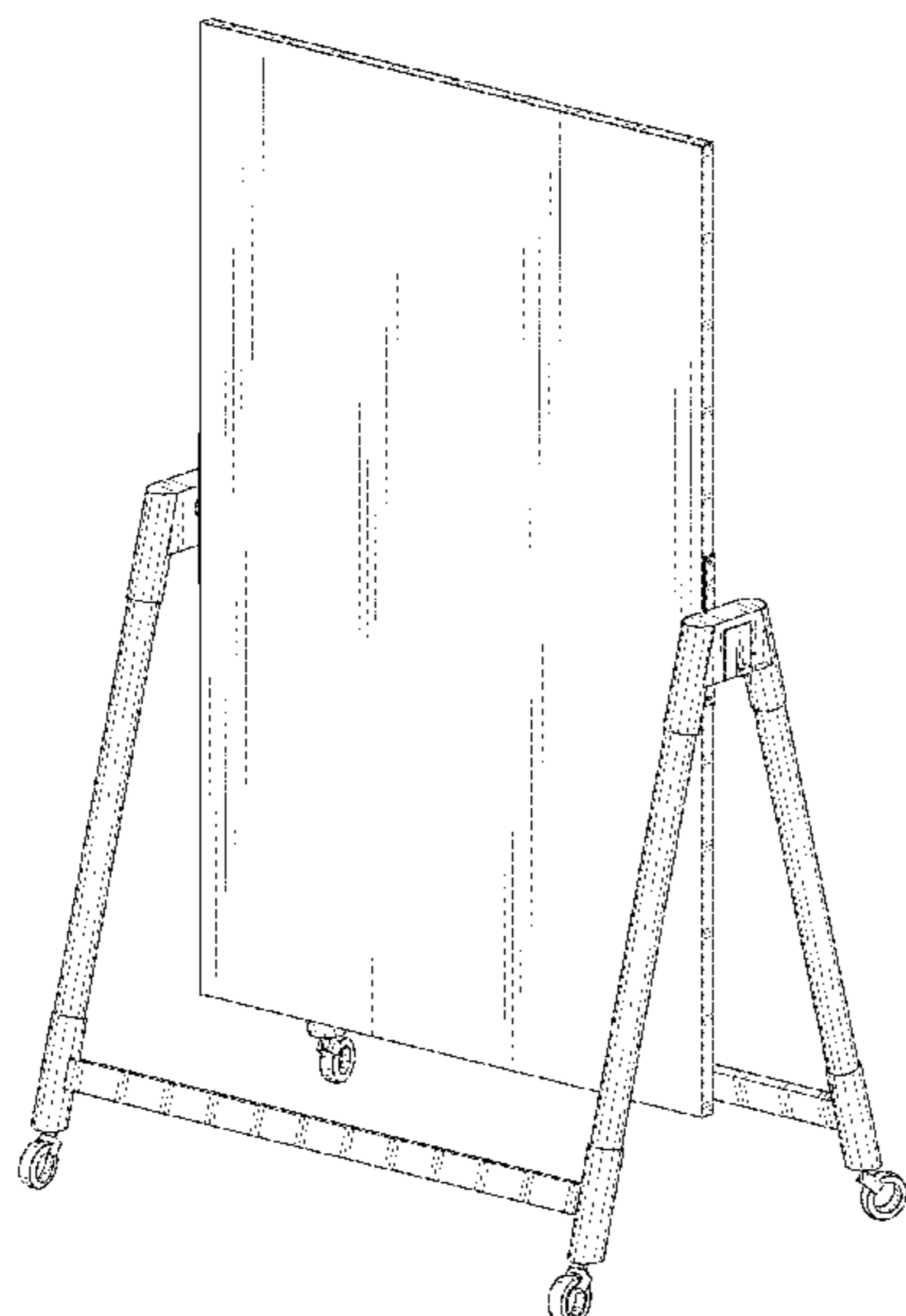
(57) **CLAIM**

We claim the ornamental design for a dry erase board pivoted to a table, as shown and described.

DESCRIPTION

FIG. 1 is a perspective view of a dry erase board pivoted to a table showing my new design;
 FIG. 2 is a front side view thereof;
 FIG. 3 is a back-side view thereof;
 FIG. 4 is a left-side view thereof;
 FIG. 5 is a right-side view thereof;
 FIG. 6 is a top view thereof;
 FIG. 7 is a bottom view thereof;
 FIG. 8 is a perspective view of the dry erase board pivoted to a table.
 FIG. 9 is a front side view thereof;
 FIG. 10 is a back-side view thereof;
 FIG. 11 is a left-side view thereof;
 FIG. 12 is a right-side view thereof;
 FIG. 13 is a top view thereof; and,
 FIG. 14 is a bottom view thereof.

1 Claim, 14 Drawing Sheets



(56)

References Cited

U.S. PATENT DOCUMENTS

D273,828	S *	5/1984	Oshry	D6/312
4,617,869	A *	10/1986	Denomey	A47B 3/08
				108/121
D288,880	S *	3/1987	Favaretto	D6/691
D300,150	S *	3/1989	Ishii	D18/36
D319,926	S *	9/1991	Solomon	D6/312
5,094,352	A *	3/1992	Green, Sr.	A47J 47/16
				211/186
5,129,616	A *	7/1992	Carson	A47B 23/007
				248/444.1
5,308,035	A *	5/1994	Ross	A47B 97/04
				248/454
D351,847	S *	10/1994	Noniewicz	D15/141
D368,165	S *	3/1996	Foster	D6/311
5,570,889	A *	11/1996	Tyrer	A63B 63/00
				273/348.4
D403,898	S *	1/1999	Arnegger	D6/691
6,393,748	B1 *	5/2002	Cooper	G09F 7/18
				248/165
D466,722	S *	12/2002	Milazzo	D20/19
6,837,385	B2 *	1/2005	Bennett	A47B 97/04
				211/118
D506,091	S *	6/2005	Cioncada	D6/656
D507,902	S *	8/2005	Cioncada	D6/647
2003/0150828	A1 *	8/2003	Bennett	A47B 97/04
				211/118

* cited by examiner

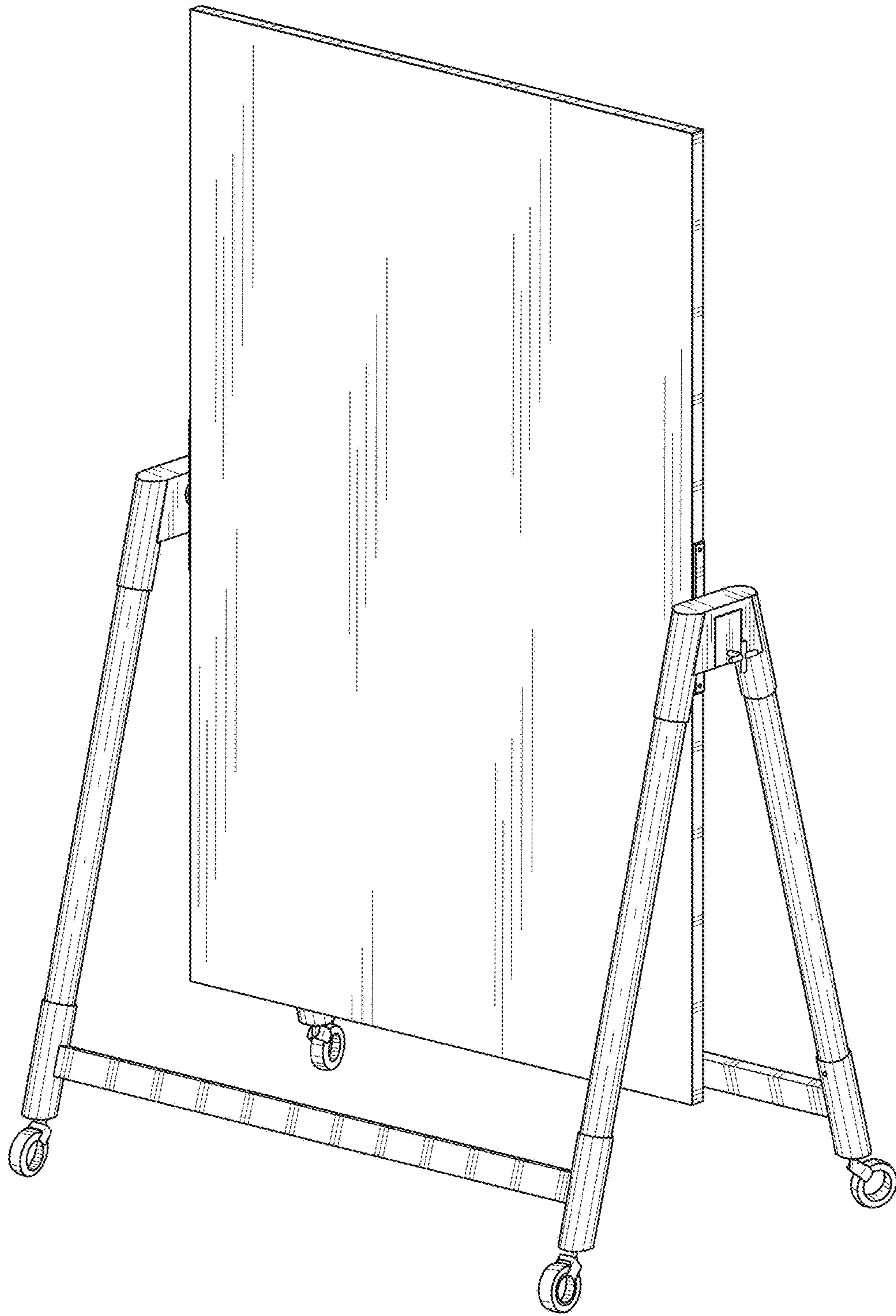


Figure 1

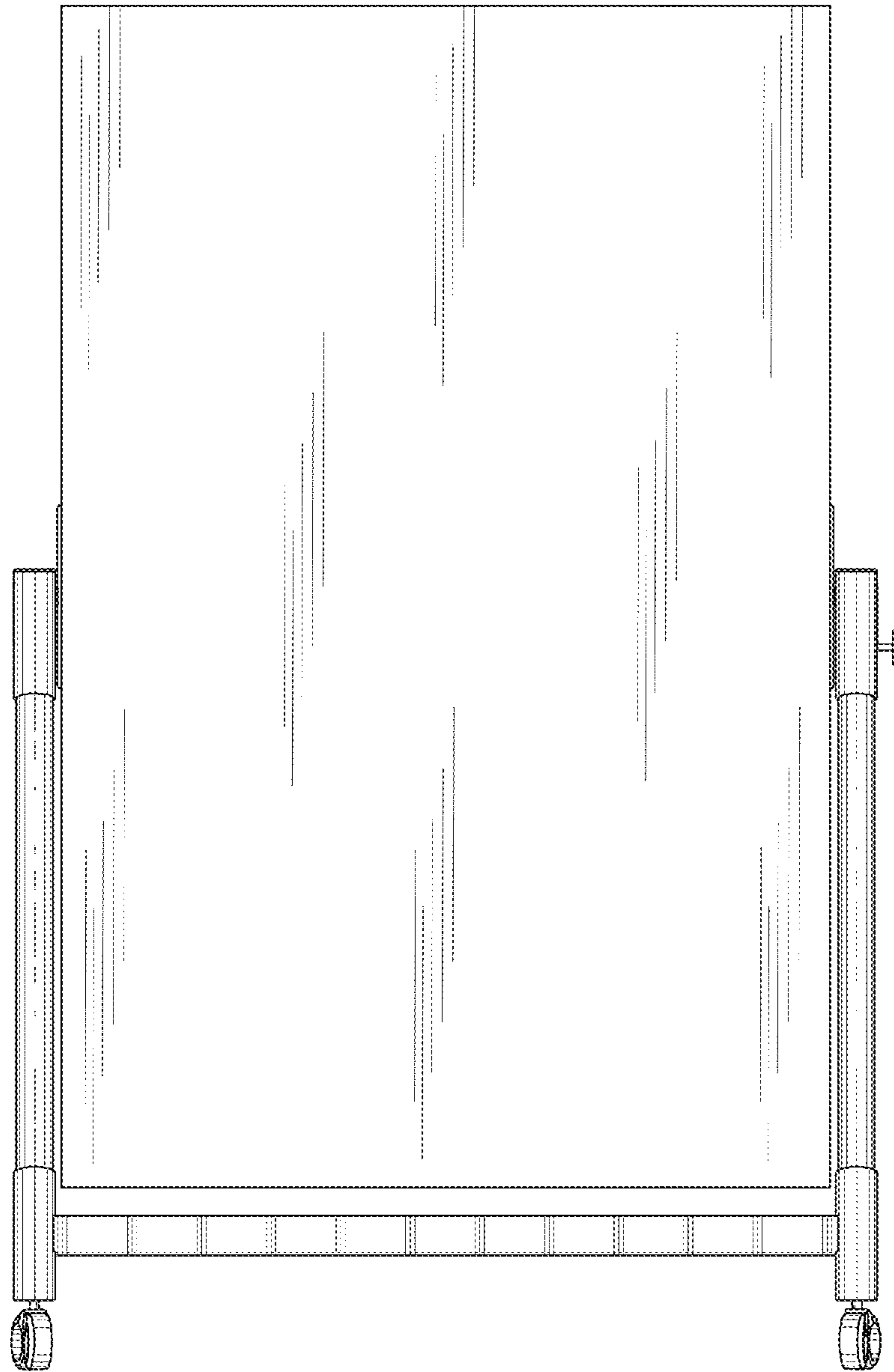


Figure 2

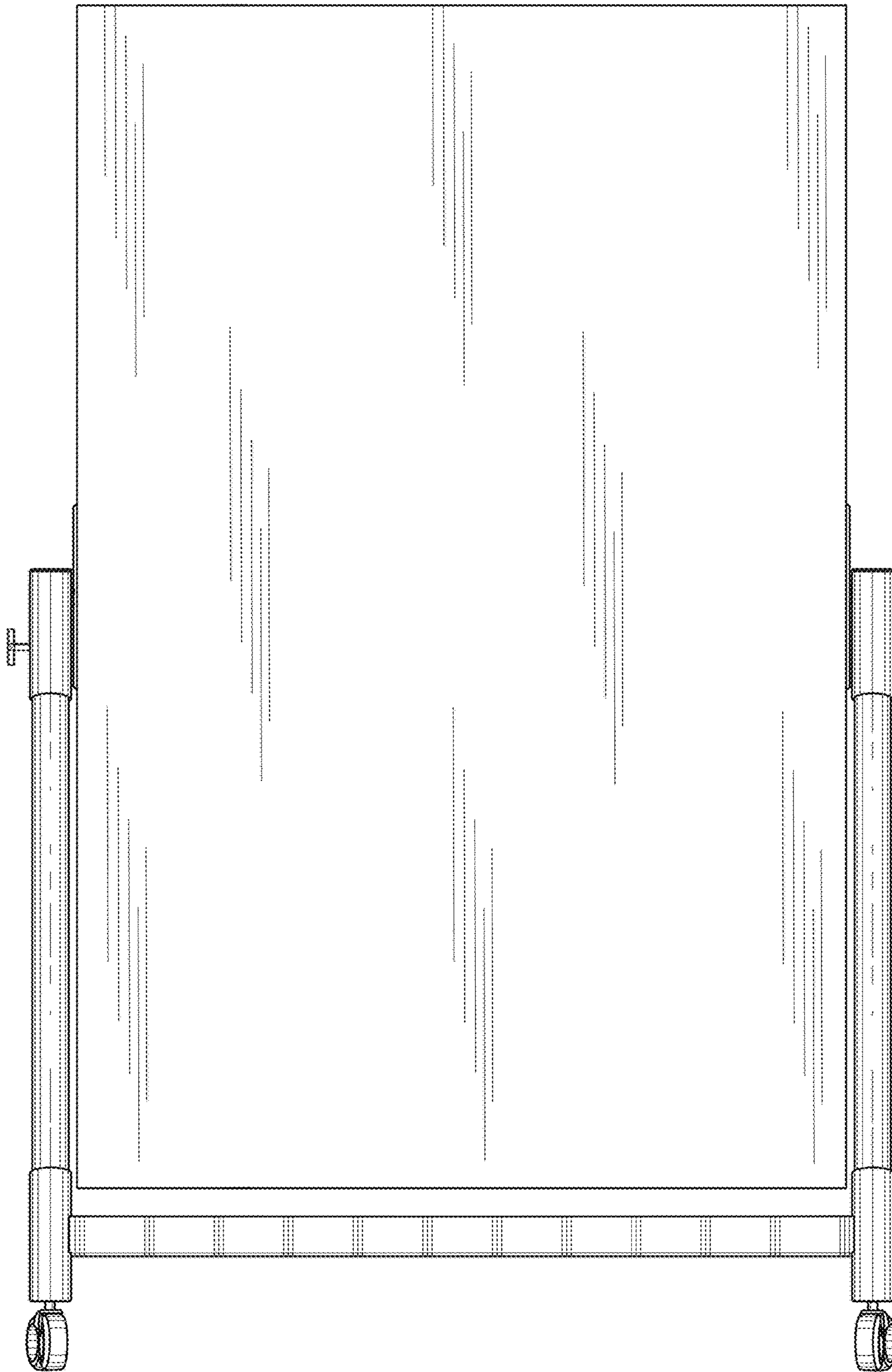


Figure 3

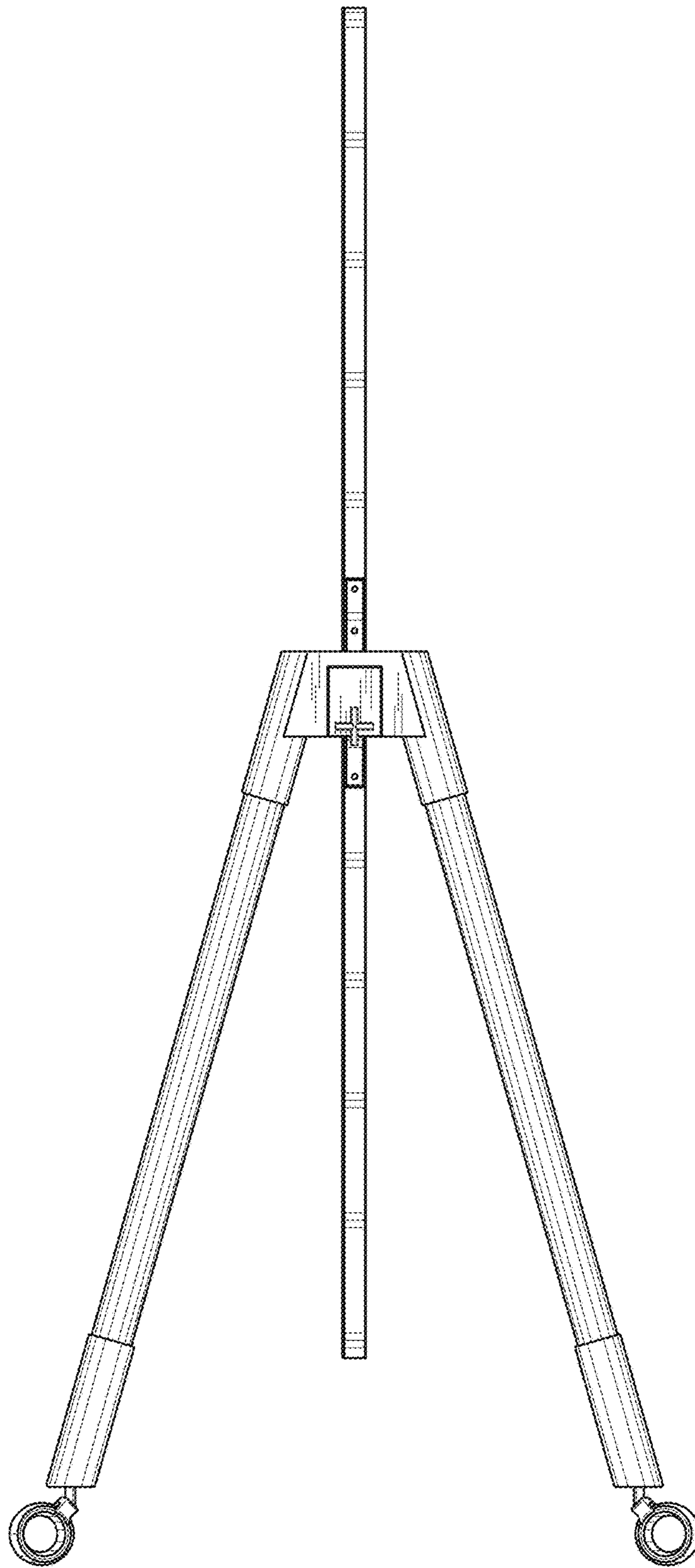


Figure 4

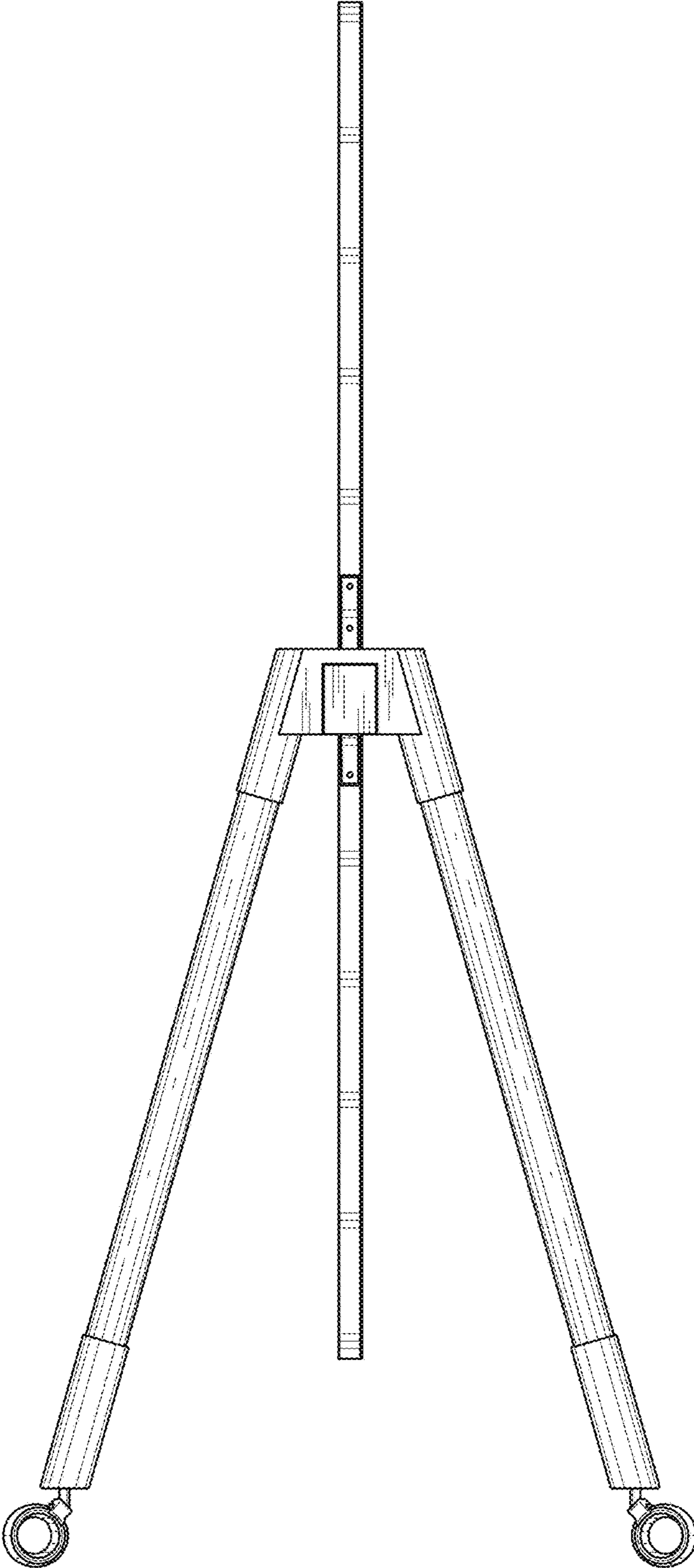


Figure 5

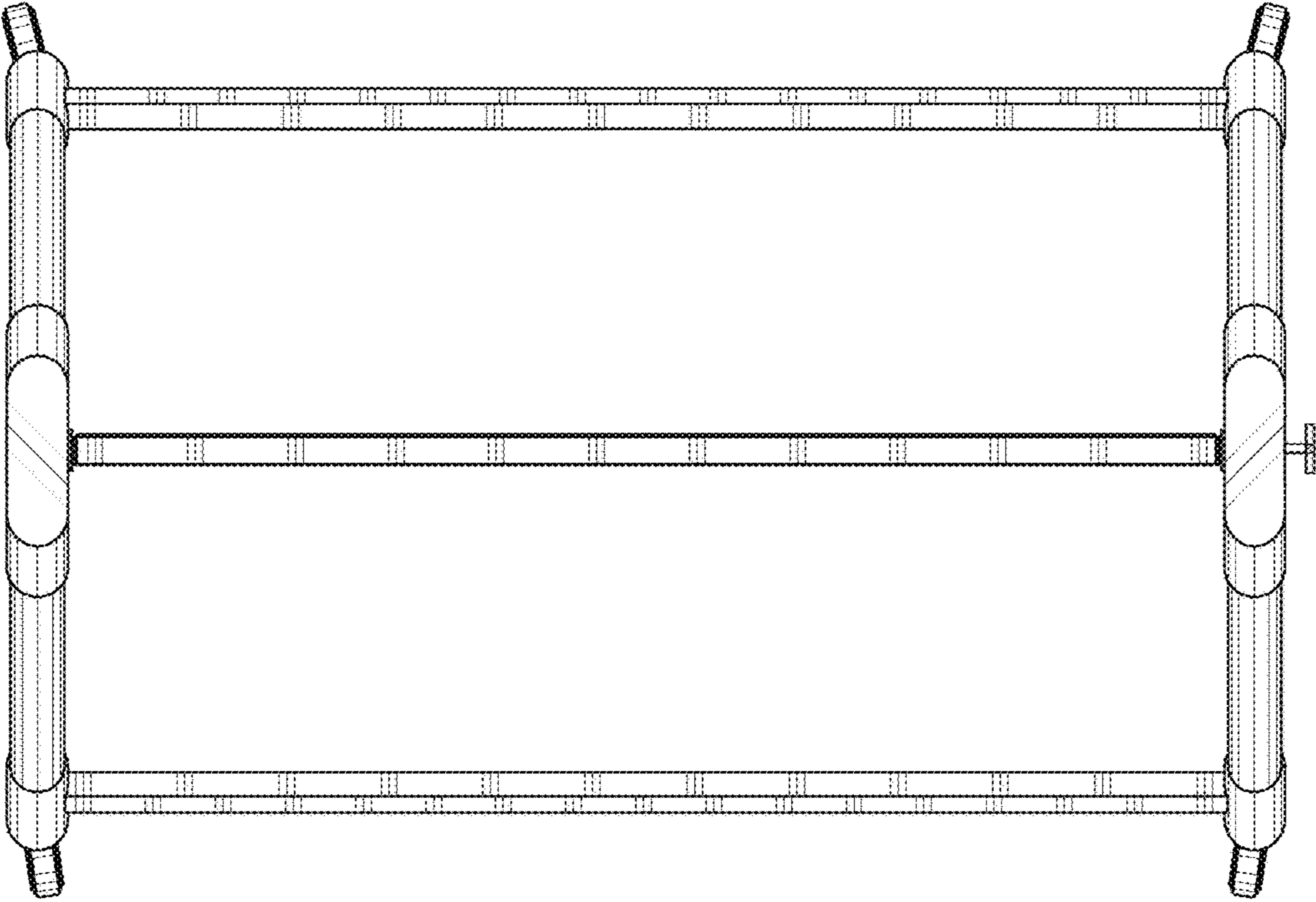


Figure 6

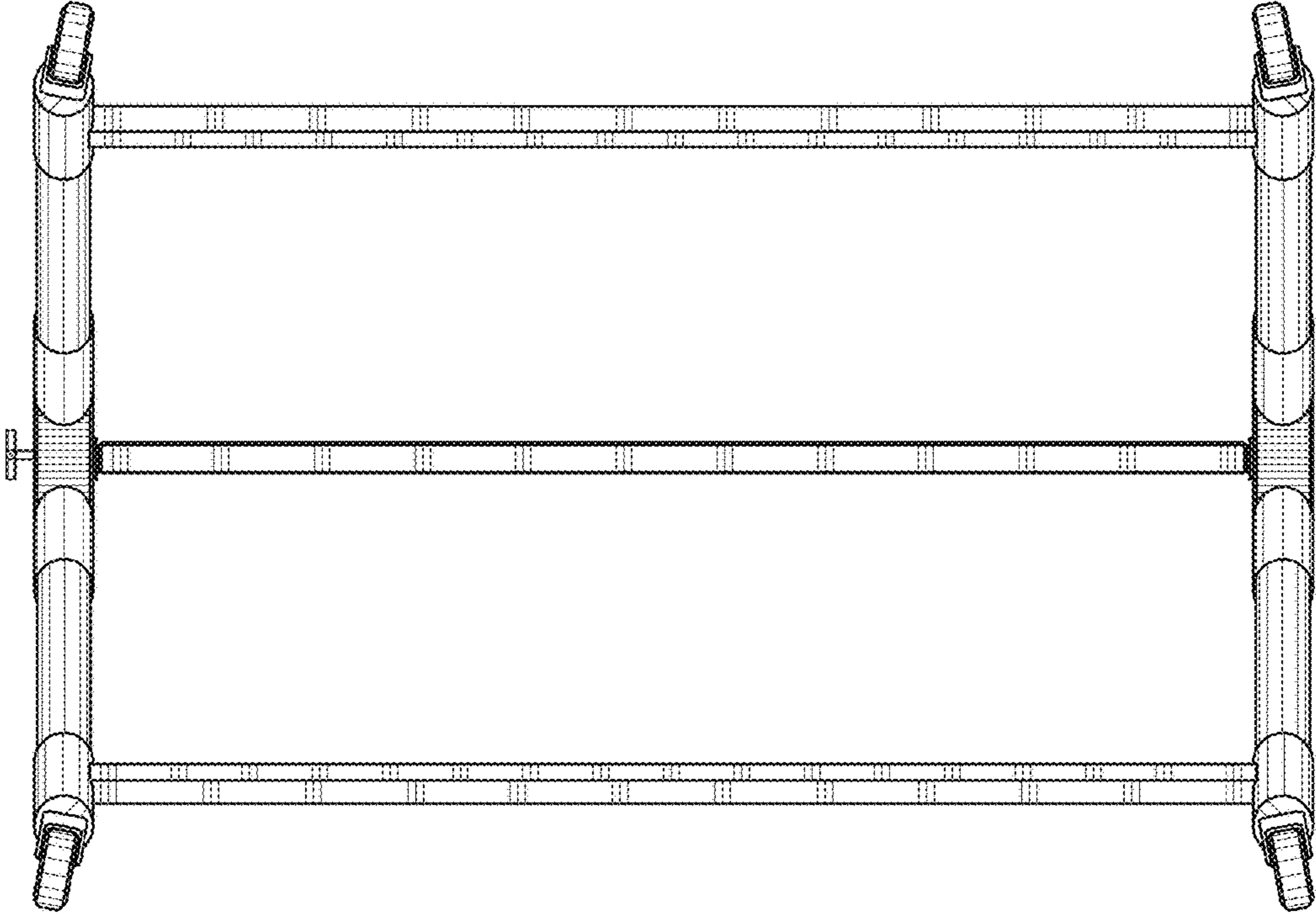


Figure 7

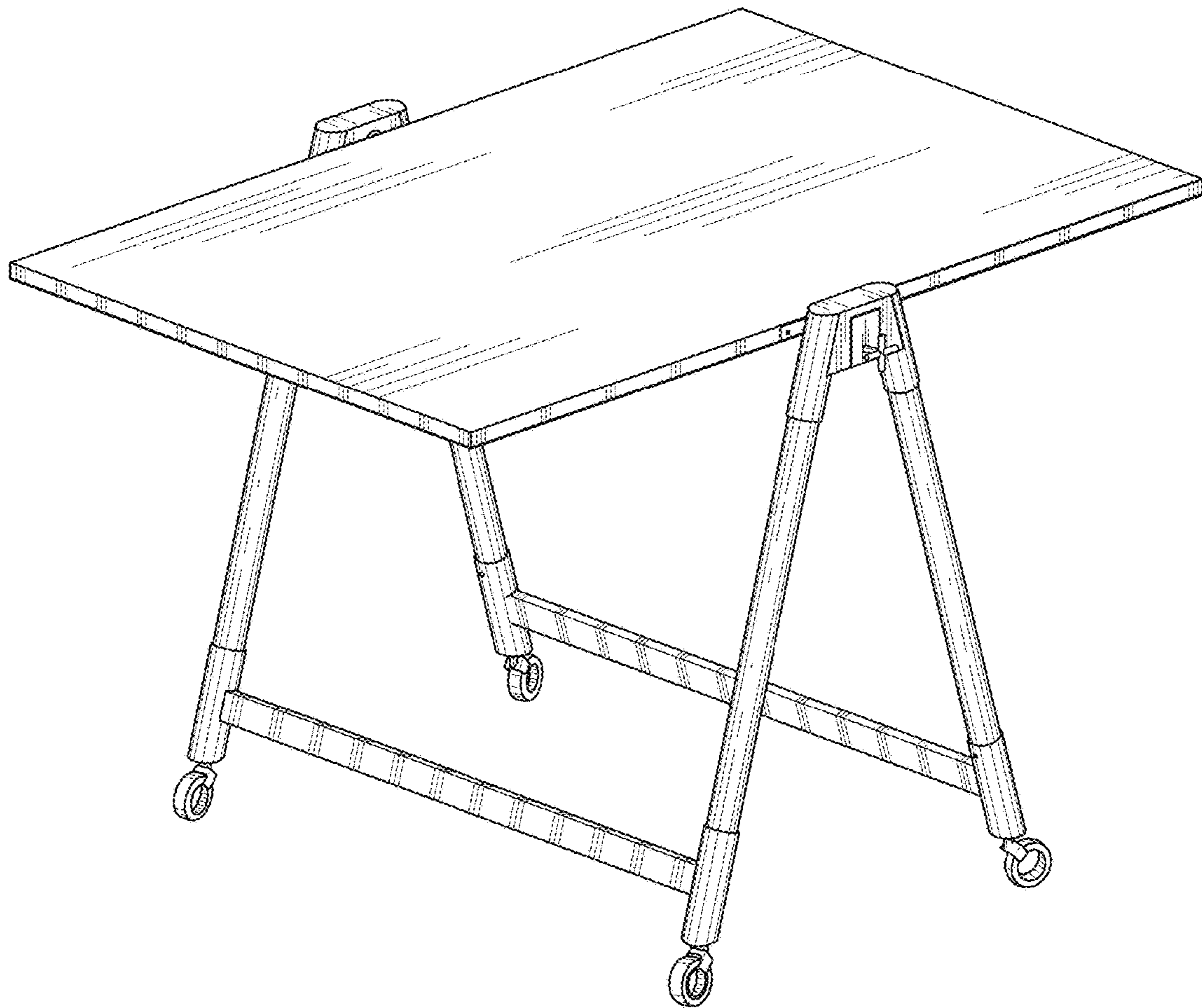


Figure 8

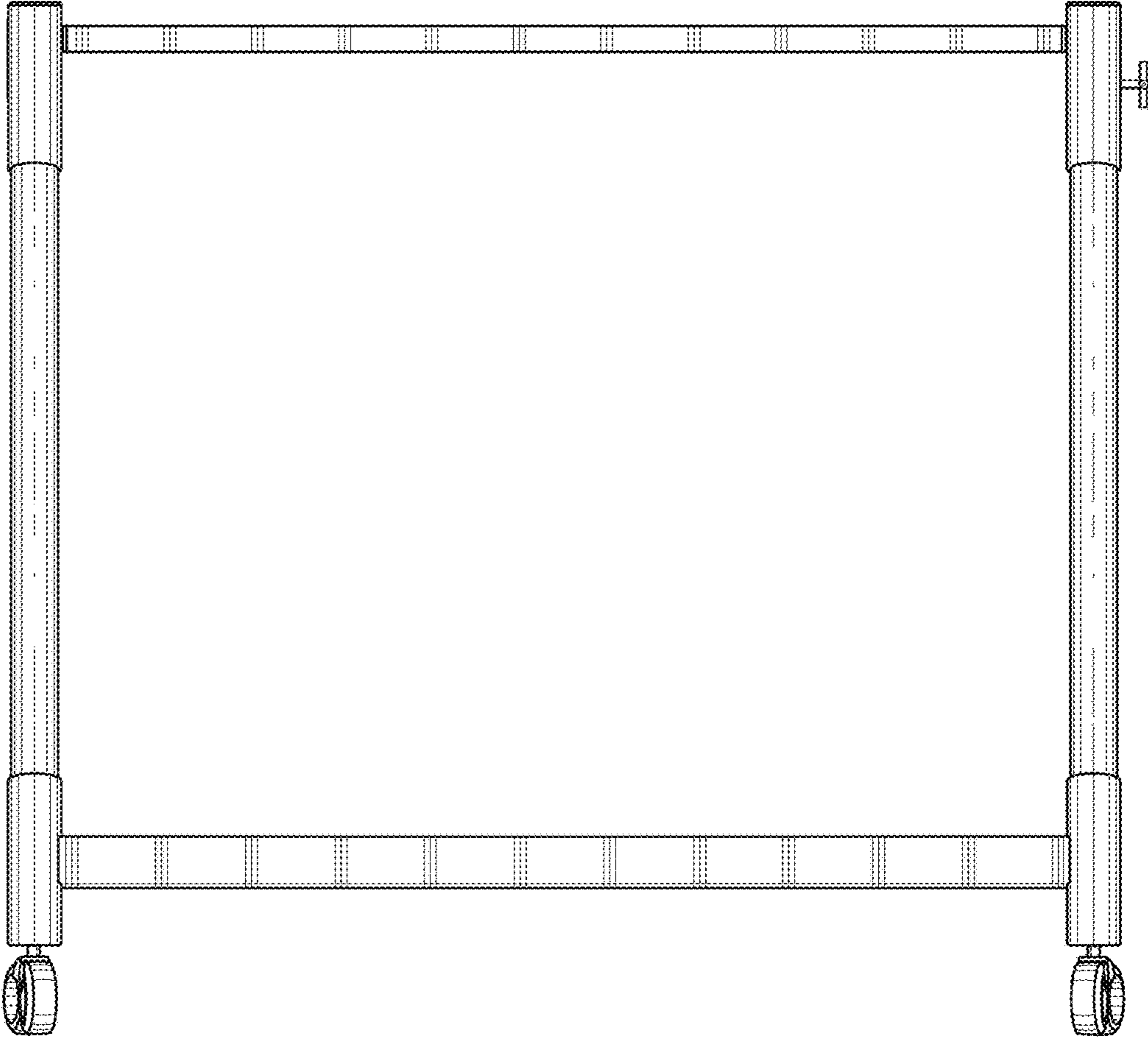


Figure 9

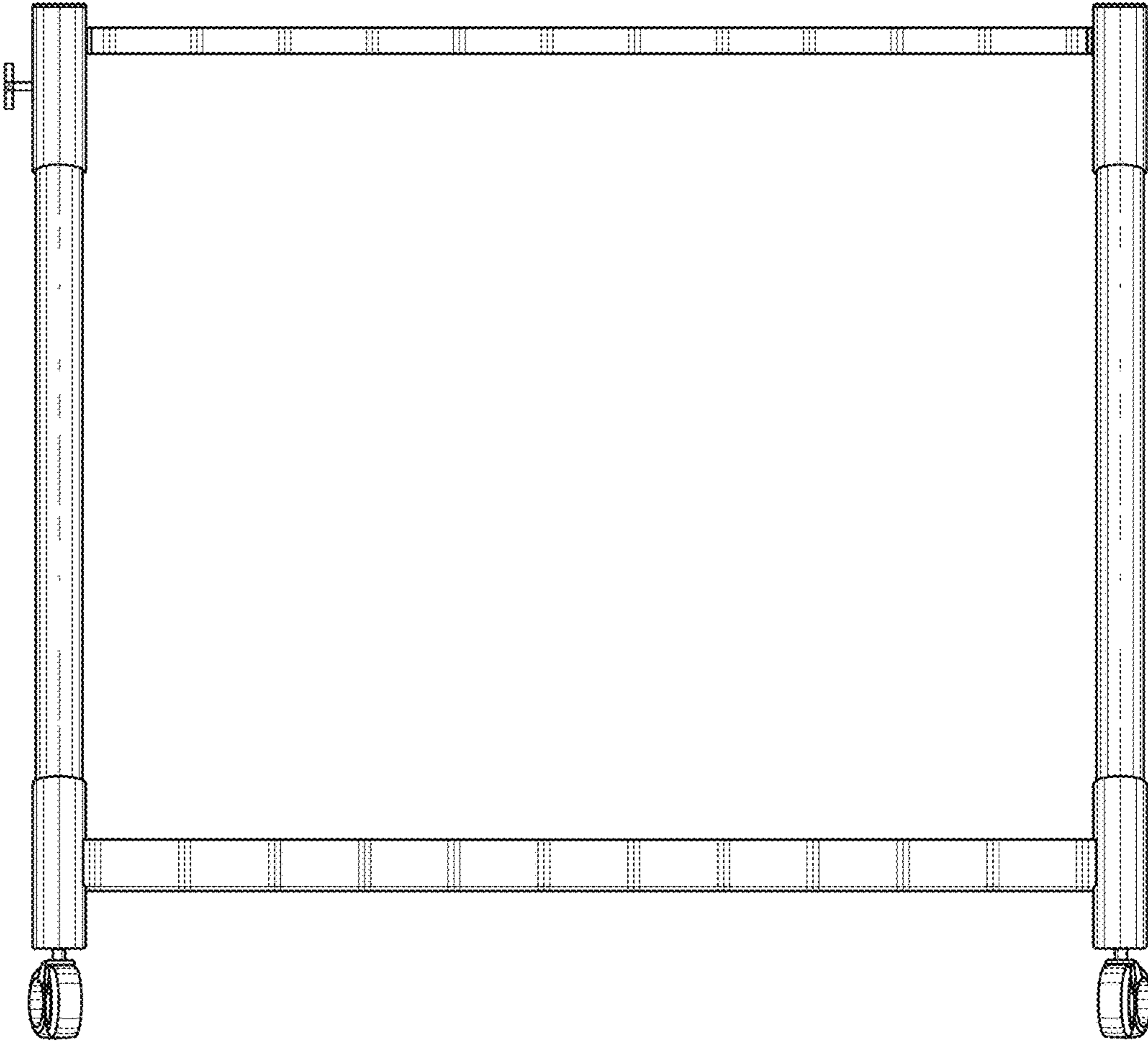


Figure 10

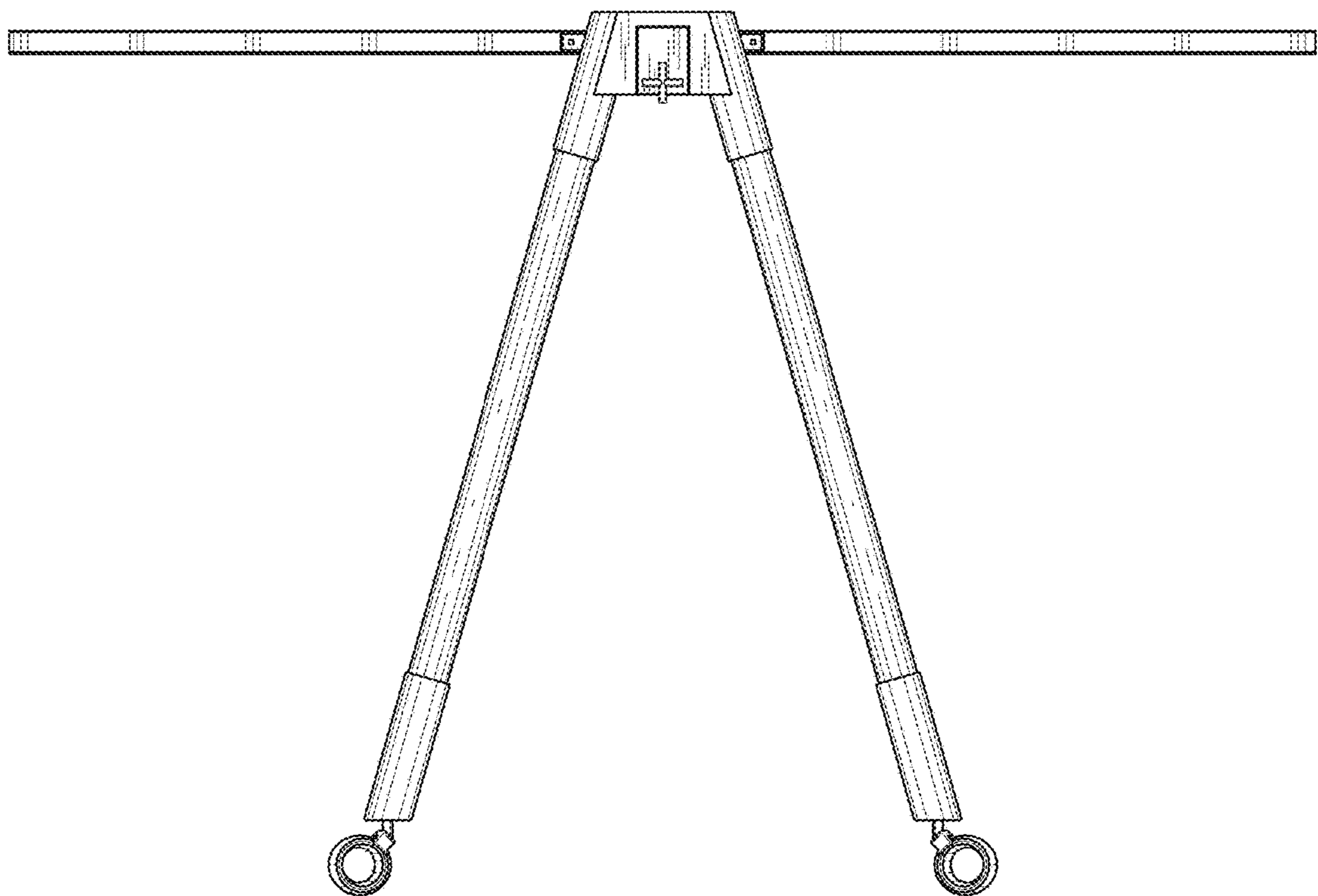


Figure 11

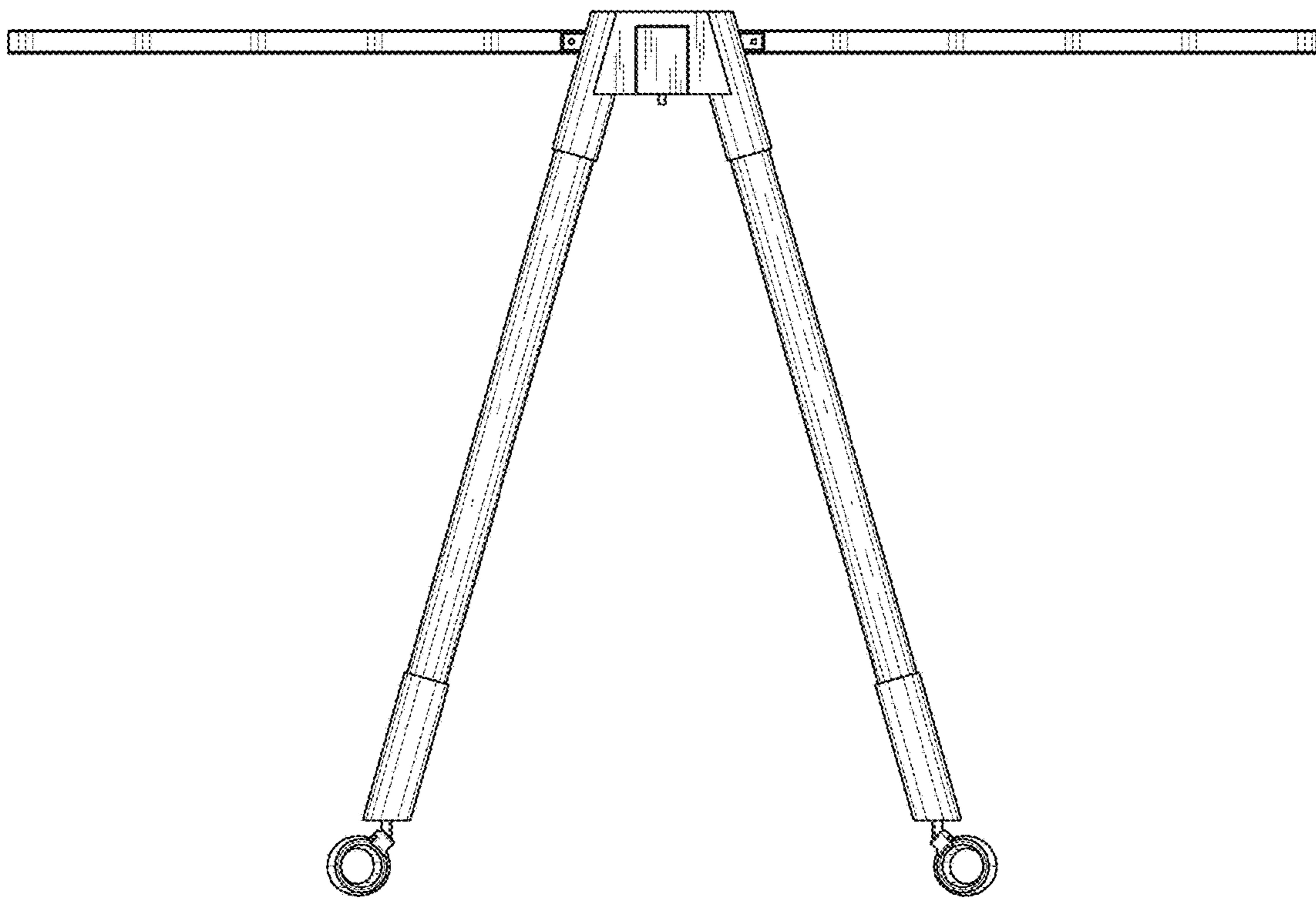


Figure 12

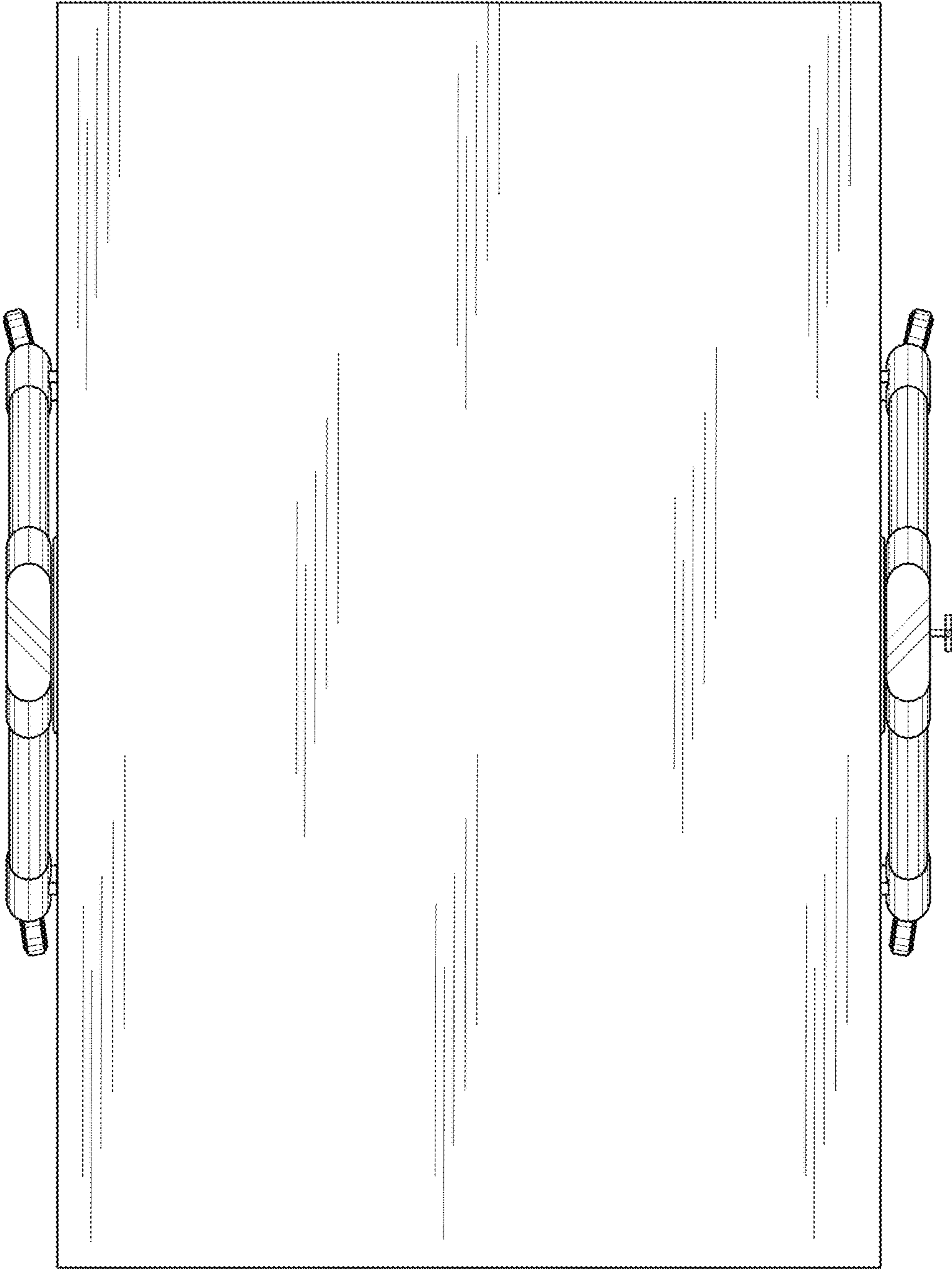


Figure 13

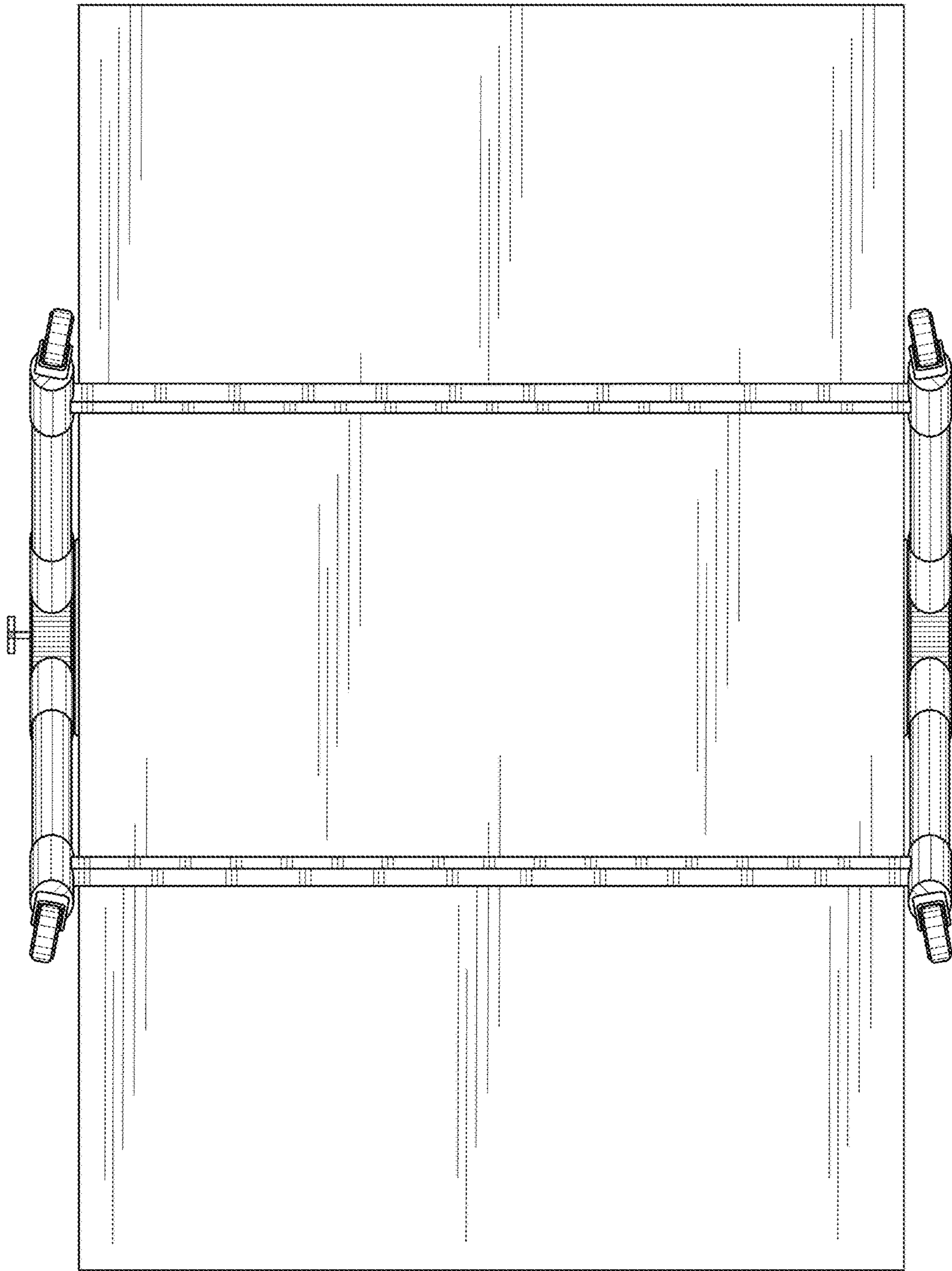


Figure 14