



US00D822108S

(12) **United States Design Patent** (10) **Patent No.:** **US D822,108 S**
Avallon et al. (45) **Date of Patent:** **** Jul. 3, 2018**

(54) **DRY ERASE BOARD**

(71) Applicants: **Jeff Avallon**, Boston, MA (US); **Primo Orpilla**, San Francisco, CA (US)

(72) Inventors: **Jeff Avallon**, Boston, MA (US); **Primo Orpilla**, San Francisco, CA (US)

(**) Term: **15 Years**

(21) Appl. No.: **29/606,895**

(22) Filed: **Jun. 8, 2017**

(51) **LOC (11) Cl.** **19-06**

(52) **U.S. Cl.**
USPC **D19/114**

(58) **Field of Classification Search**
USPC D19/113, 114; D20/10, 19, 40, 41, 42;
D6/300–302, 308, 310–312
CPC .. B43L 1/00; B43L 1/004; B43L 1/008; B43L
1/10; B43L 1/12; G09F 7/04
See application file for complete search history.

(56) **References Cited**

U.S. PATENT DOCUMENTS

392,565 A * 11/1888 Larew A47B 97/08
248/464

513,080 A * 1/1894 Butler A47B 97/04
312/230

752,990 A * 2/1904 Miller A47B 97/04
312/230

1,469,212 A * 10/1923 De Pew A47B 97/08
232/1 C

1,479,766 A * 1/1924 Whyman A47B 41/00
312/230

2,016,421 A * 10/1935 Eichner B25H 3/04
211/1

2,485,517 A * 10/1949 Vaule A47B 97/08
248/464

2,741,868 A * 4/1956 Saunders A47B 19/06
108/62

2,844,897 A * 7/1958 Vance, Jr. E01F 9/688
248/166

3,153,872 A * 10/1964 Noel G09F 15/0062
116/63 P

3,165,367 A 1/1965 Rose

3,294,251 A * 12/1966 Howell A47F 5/108
211/195

D214,061 S * 5/1969 Solo D6/641

3,467,259 A * 9/1969 Silver A47B 97/04
206/0.7

3,759,482 A * 9/1973 Wright A47B 97/08
248/449

4,005,537 A * 2/1977 von Camber E01F 13/02
40/606.19

D261,712 S * 11/1981 Ferdinand D6/691

D266,128 S * 9/1982 Ferdinand D6/684

D273,828 S * 5/1984 Oshry D6/312

4,617,869 A * 10/1986 Denomey A47B 3/08
108/121

D300,150 S * 3/1989 Ishii D18/36

D319,926 S * 9/1991 Solomon D6/312

(Continued)

Primary Examiner — Elizabeth Albert
(74) *Attorney, Agent, or Firm* — J. Curtis Edmondson;
Anitha Shankar Narayan; Law Offices of J. Curtis
Edmondson

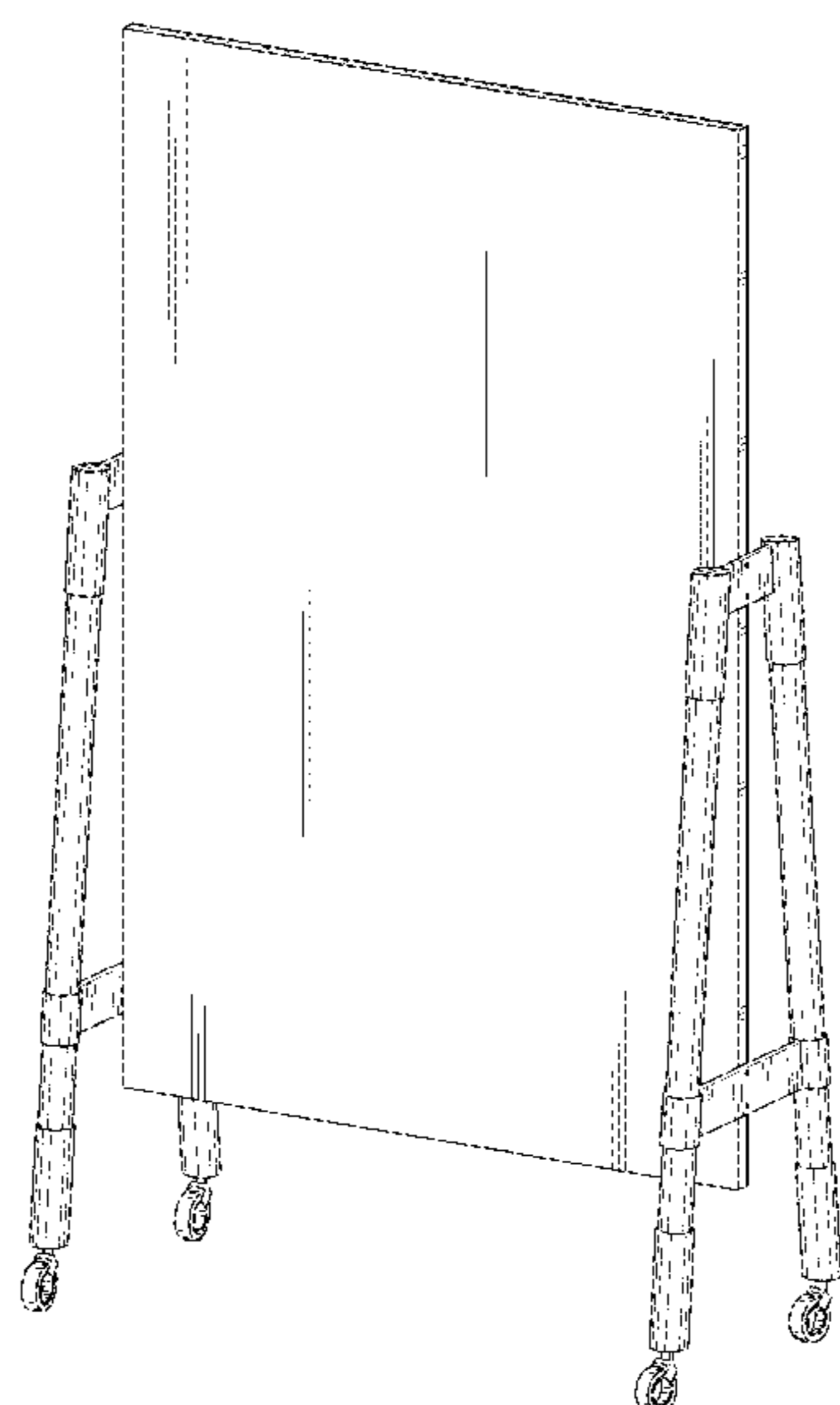
(57) **CLAIM**

We claim the ornamental design for a dry erase board, as shown and described.

DESCRIPTION

FIG. 1 is a perspective view of a dry erase board showing my new design;
FIG. 2 is a front side view thereof;
FIG. 3 is a back-side view thereof;
FIG. 4 is a left-side view thereof;
FIG. 5 is a right-side view thereof;
FIG. 6 is a top view thereof; and,
FIG. 7 is a bottom view thereof.

1 Claim, 5 Drawing Sheets



(56)

References Cited

U.S. PATENT DOCUMENTS

5,083,805	A	1/1992	Monch et al.	
5,094,352	A *	3/1992	Green, Sr.	A47J 47/16 211/186
5,129,616	A *	7/1992	Carson	A47B 23/007 248/444.1
5,244,267	A	9/1993	Fossier et al.	
5,308,035	A *	5/1994	Ross	A47B 97/04 248/454
D351,847	S *	10/1994	Noniewicz	D15/141
D368,165	S *	3/1996	Foster	D6/311
D369,833	S	5/1996	Egan et al.	
5,570,889	A *	11/1996	Tyrer	A63B 63/00 273/348.4
D400,361	S	11/1998	Sobrito	
6,393,748	B1 *	5/2002	Cooper	G09F 7/18 248/165
D466,722	S *	12/2002	Milazzo	D20/19
6,837,385	B2 *	1/2005	Bennett	A47B 97/04 211/118
6,889,952	B2	5/2005	Cook	
6,955,130	B2 *	10/2005	Phillips	A47B 97/04 108/189
D626,763	S	11/2010	Koh	
8,714,369	B2	5/2014	Liu et al.	
D754,462	S	4/2016	Volz et al.	
2003/0150828	A1 *	8/2003	Bennett	A47B 97/04 211/118

* cited by examiner

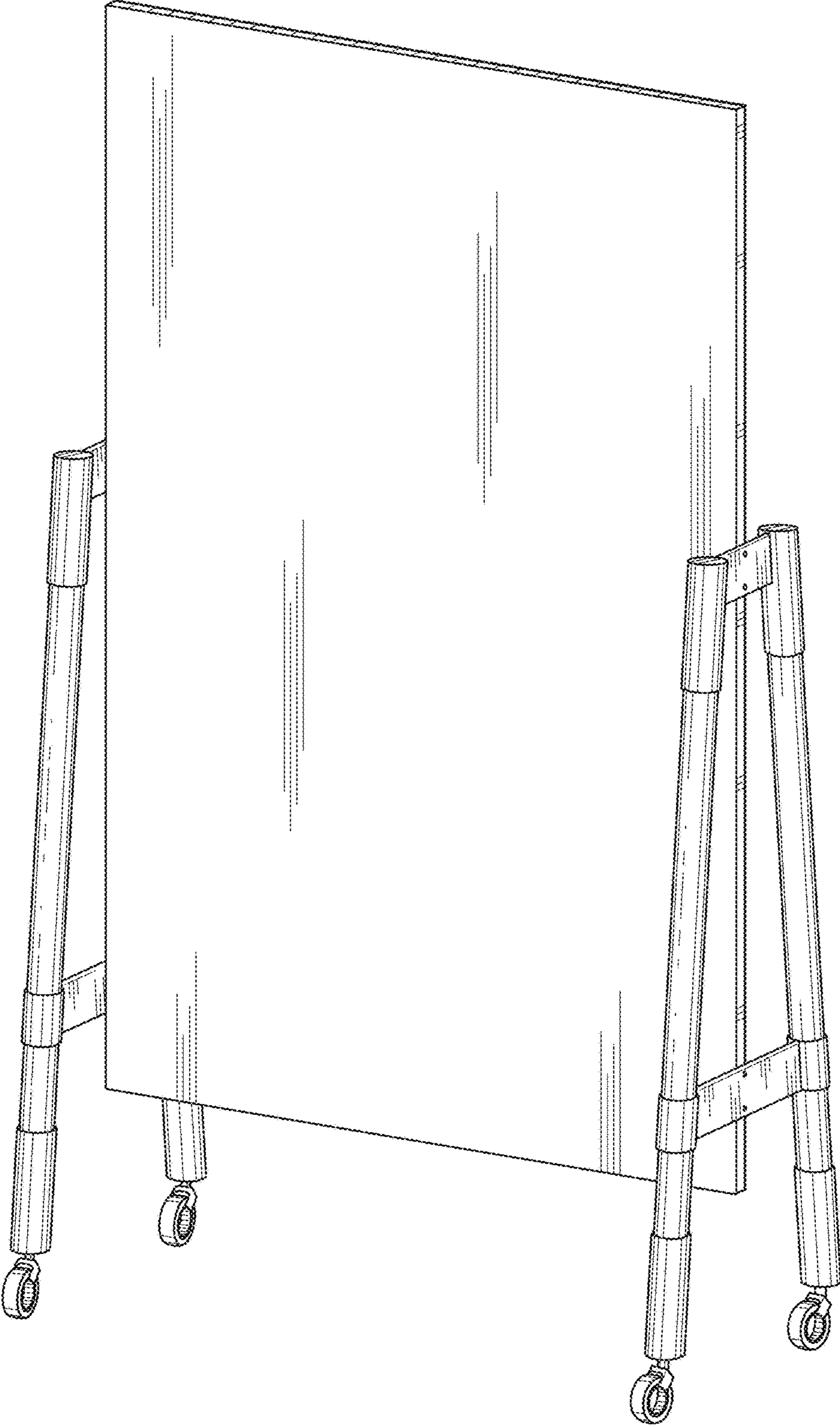


Figure 1

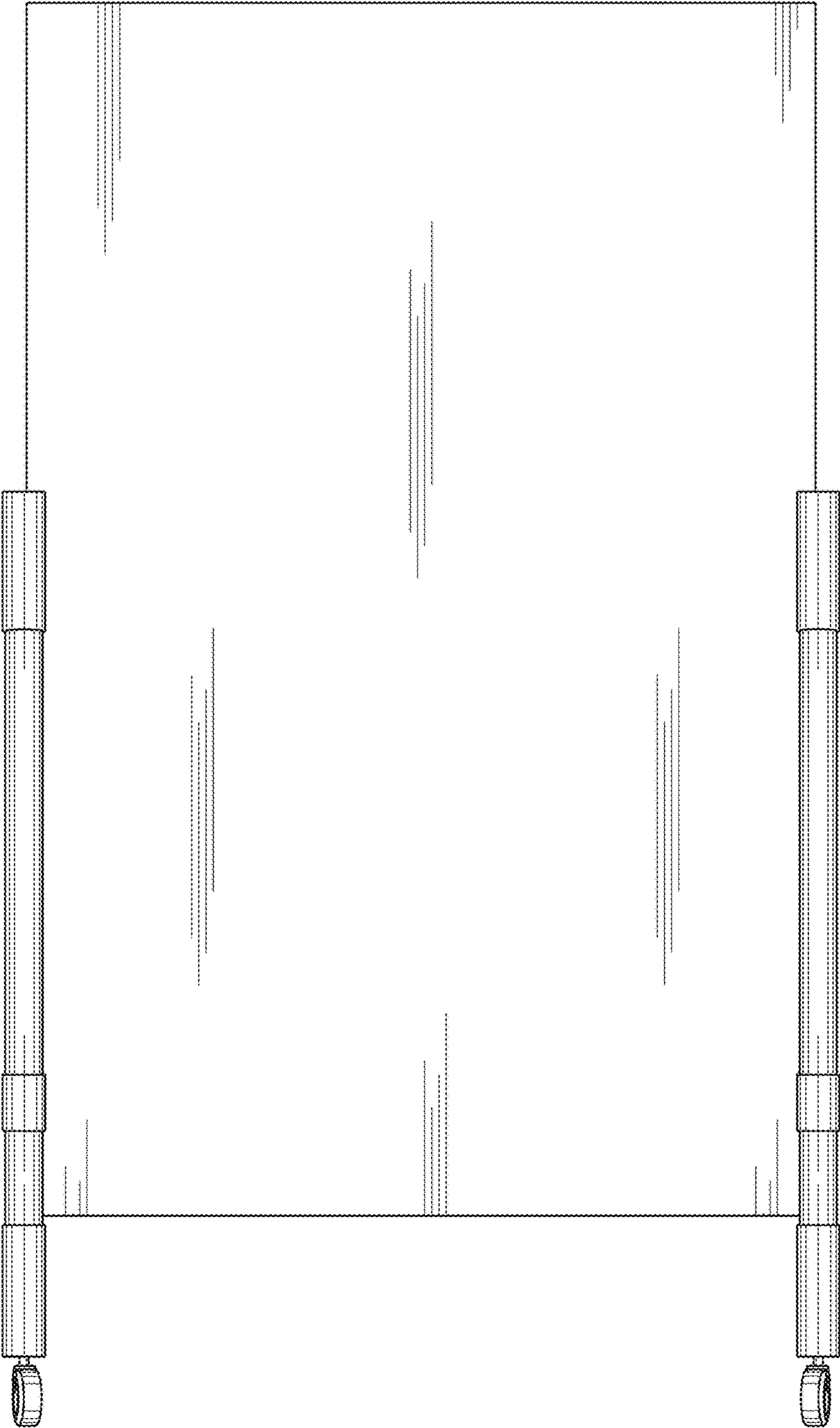


Figure 2

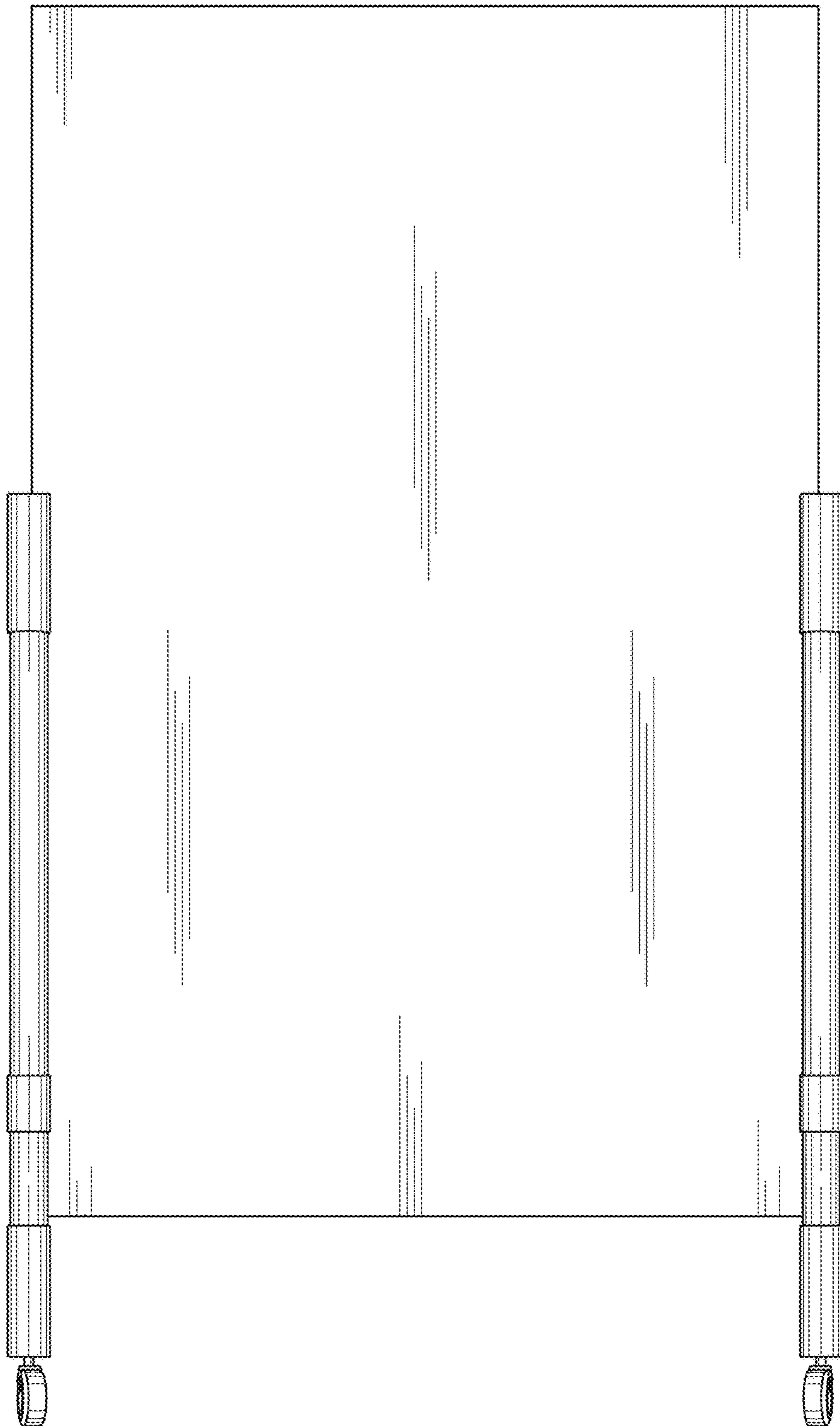


Figure 3

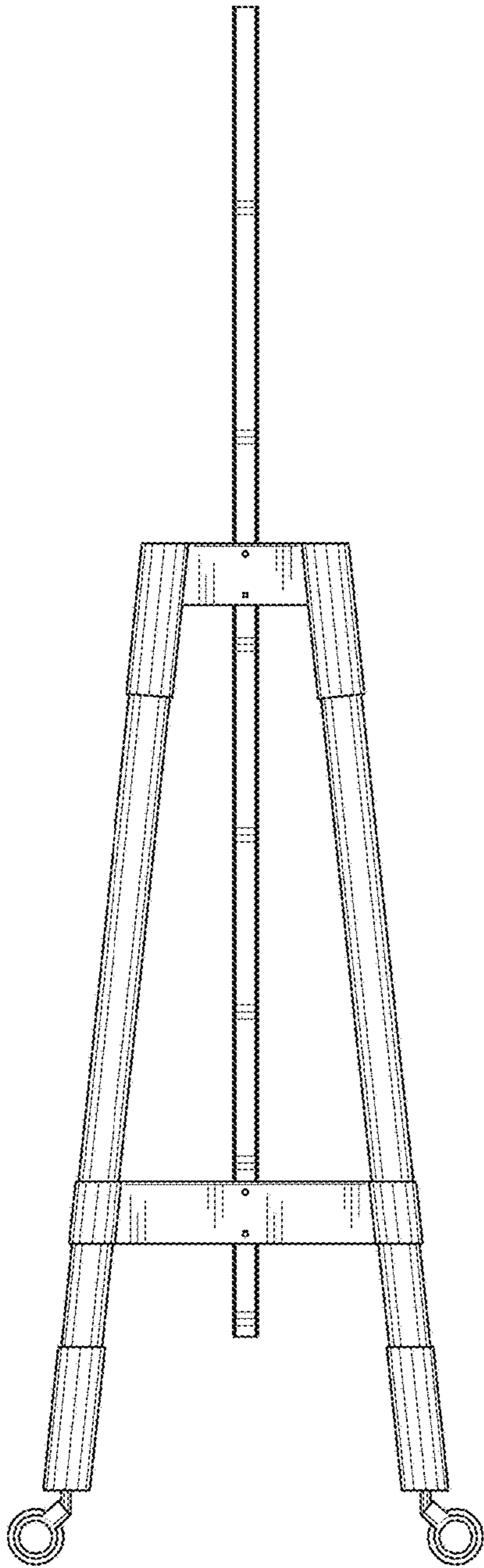


Figure 4

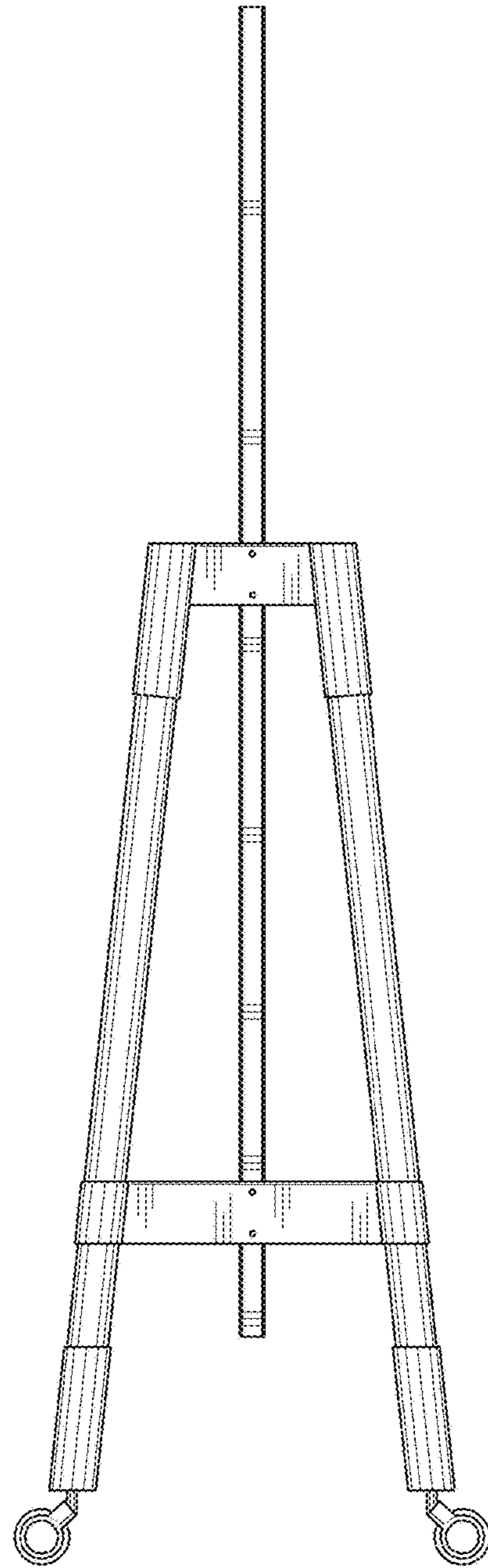


Figure 5

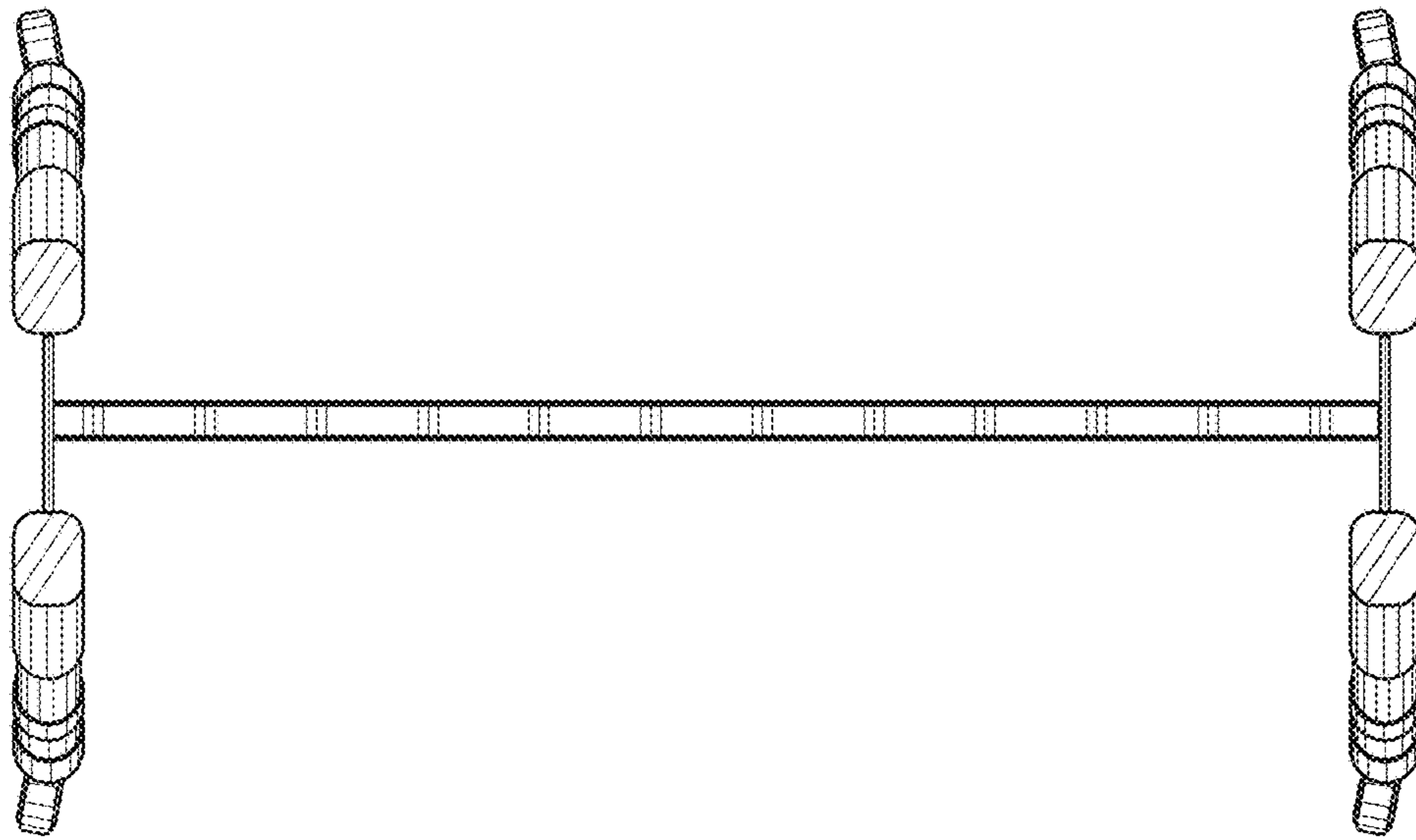


Figure 6

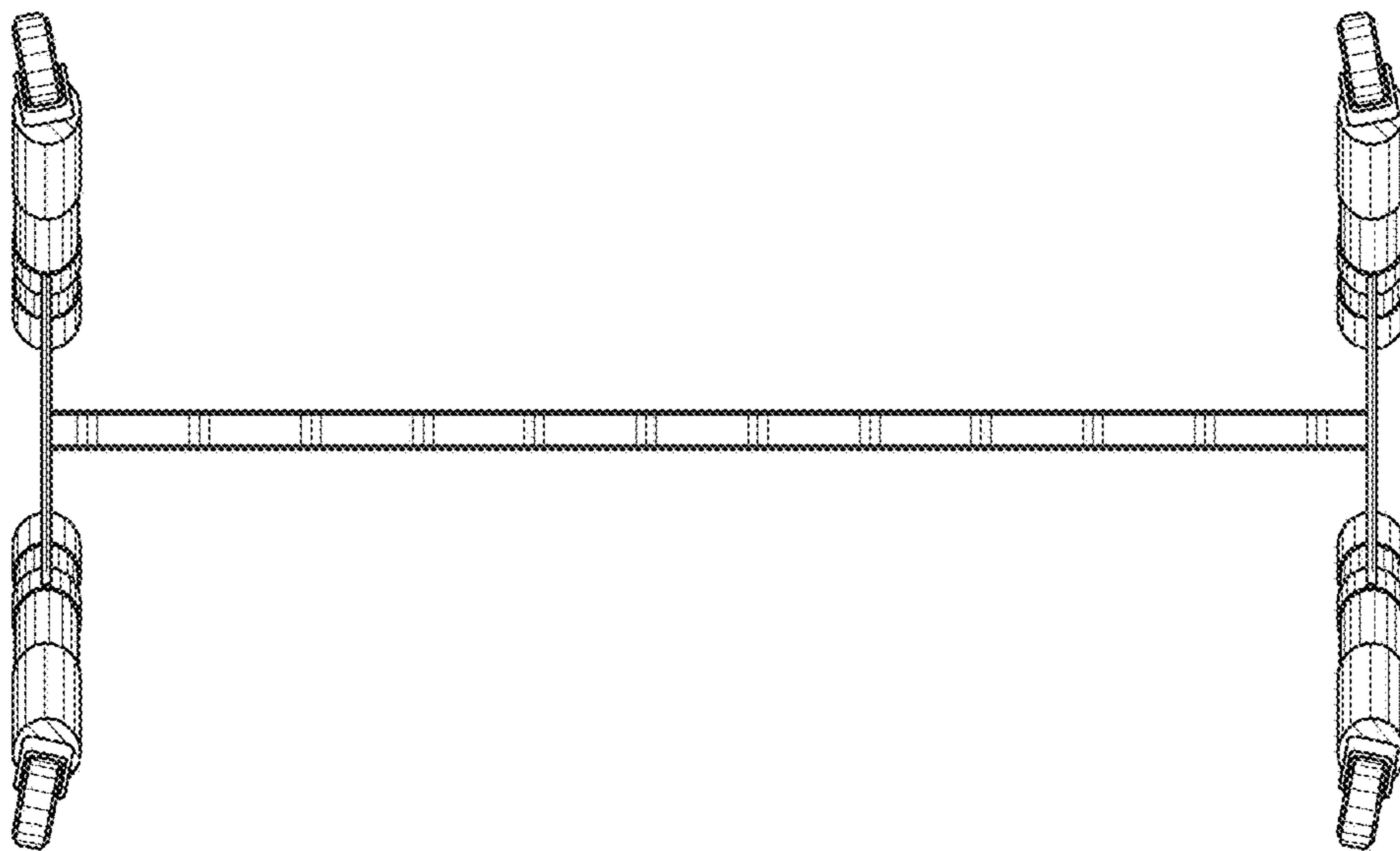


Figure 7