



US00D822104S

(12) **United States Design Patent**
Shoenhair et al.

(10) **Patent No.:** **US D822,104 S**
(45) **Date of Patent:** **** Jul. 3, 2018**

(54) **ENGRAVING MACHINE**

(71) Applicants: **Jordan D. Shoenhair**, Tempe, AZ
(US); **Bryan K. Solace**, Chandler, AZ
(US)

(72) Inventors: **Jordan D. Shoenhair**, Tempe, AZ
(US); **Bryan K. Solace**, Chandler, AZ
(US)

(73) Assignee: **THE HILLMAN GROUP, INC.**,
Cincinnati, OH (US)

(**) Term: **15 Years**

(21) Appl. No.: **29/564,775**

(22) Filed: **May 16, 2016**

Related U.S. Application Data

(63) Continuation-in-part of application No. 29/555,580,
filed on Feb. 23, 2016.

(51) **LOC (11) Cl.** **18-02**

(52) **U.S. Cl.**
USPC **D18/57**

(58) **Field of Classification Search**
USPC D18/57, 14, 19, 50, 53, 54, 56, 59, 36,
D18/38, 39, 40, 41, 45, 34.4, 34.5, 34.6;
D14/301, 307

CPC B44B 5/00; B44B 5/0004; B44B 5/0009;
B44B 5/0014; B44B 5/0019; B44B
5/0023; B44B 5/0028; B44B 5/0033;
B44B 5/0038; B44B 5/0042; B44B
5/0047; B44B 5/0052; B44B 5/0057;
B44B 5/0061; B44B 5/0066; B44B
5/0071; B44B 5/0076; B44B 5/008; B44B
5/0085; B44B 5/009; B44B 5/0095; B44B
5/02; B44B 5/022; B44B 5/024; B44B
5/026; B44B 5/028

See application file for complete search history.

(56) **References Cited**

U.S. PATENT DOCUMENTS

D159,412 S * 7/1950 Franklin D18/57
D209,710 S * 12/1967 Bruce D14/133

(Continued)

FOREIGN PATENT DOCUMENTS

WO D051596-001 * 7/2000

OTHER PUBLICATIONS

Alpha Card. <URL: [*Primary Examiner* — Thomas Johannes](http://www.alphacard.com/magicard-pronto-id-card-system-pla?kmag=3649-0001-System&utm_source=google&utm_medium=cse&utm_campaign=google&kmas=305&kmca=Product+Listing+Ads&gclid=Cj0KCQjw09zOBRCqARIsAH8XF1ZIZK_pMJ-WMkCDf991PaPqGgFL7Sfr9PT4rGY3WTyMcyjMlm3e9lhUaAhTHEALw_wcB.> Visited Oct. 6, 2017. ID card printer.*</p></div>
<div data-bbox=)

Assistant Examiner — Lauren McVey

(74) *Attorney, Agent, or Firm* — Thompson Hine LLP

(57) **CLAIM**

The ornamental design for an engraving machine, as shown and described.

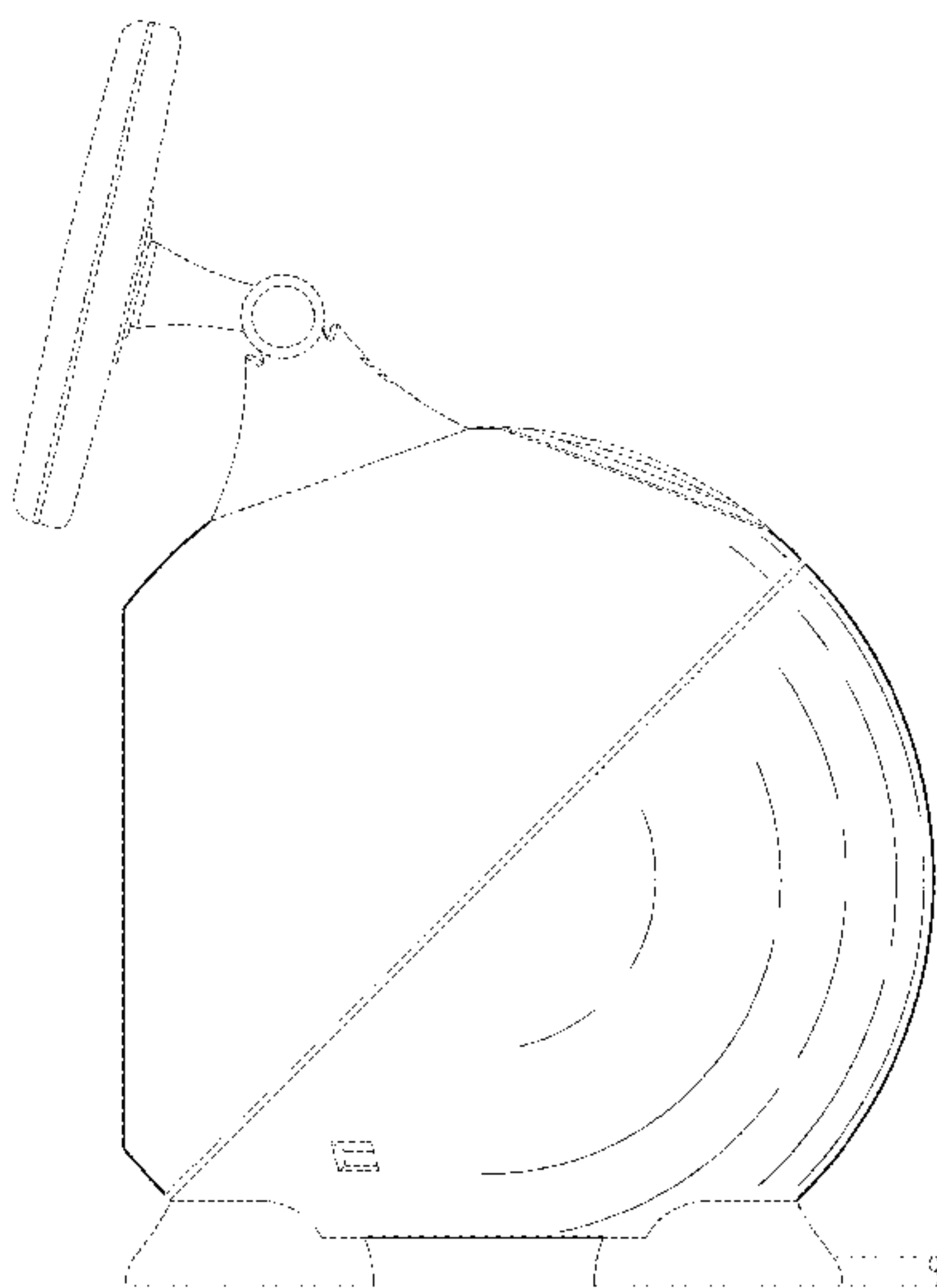
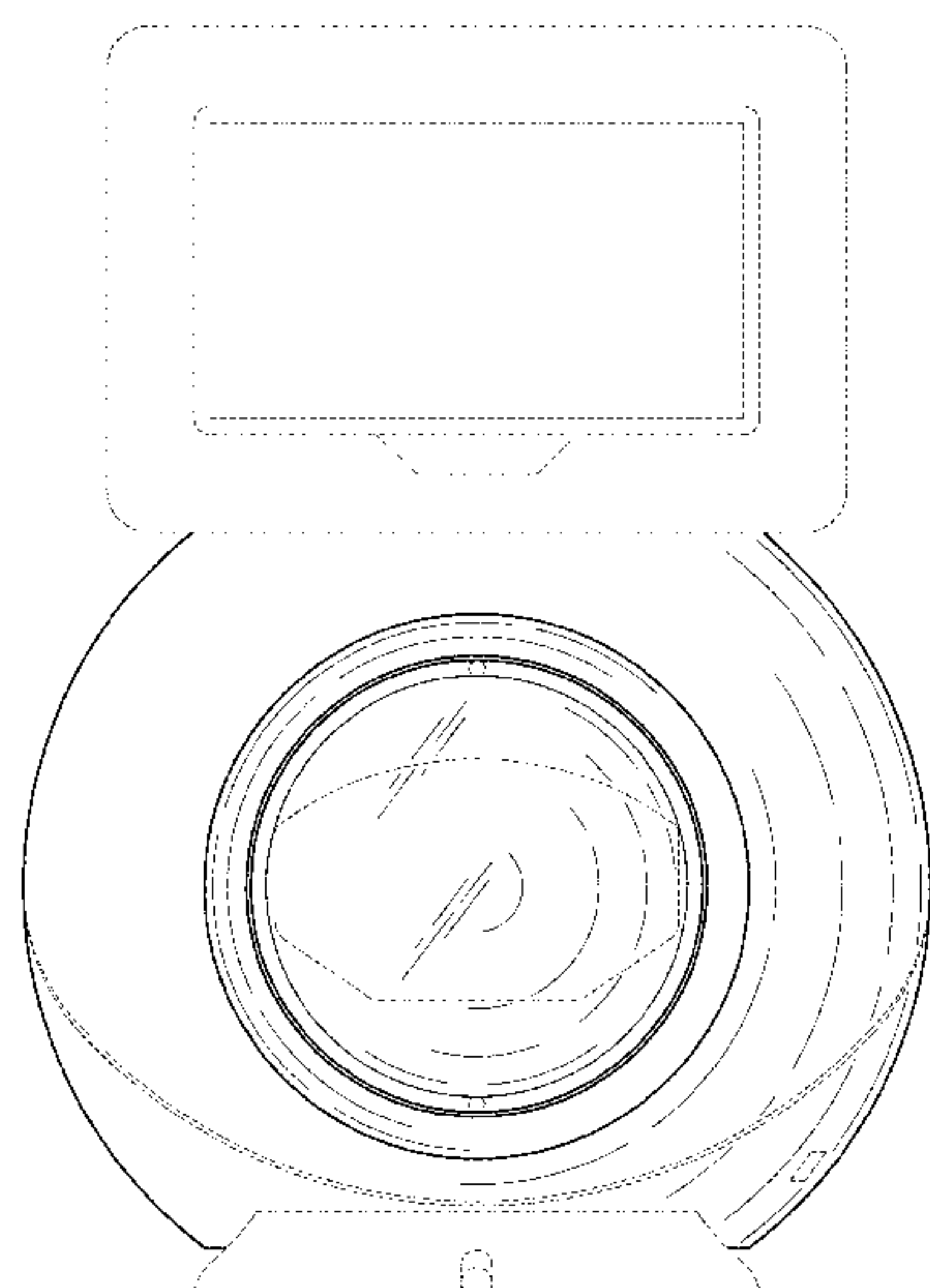
DESCRIPTION

FIG. 1 is a perspective view of an engraving machine, showing our new design;
FIG. 2 is a front view thereof;
FIG. 3 is a side view thereof;
FIG. 4 is top view thereof;
FIG. 5 is another side view thereof; and,
FIG. 6 is a rear view thereof.

The broken lines immediately adjacent the shaded areas represent the bounds of the claimed design while all other broken lines are directed to environment and are for illustrative purposes only; the broken lines from no part of the claimed design.

The bottom of the engraving machine forms no part of the claimed design.

1 Claim, 6 Drawing Sheets



(56)

References Cited

U.S. PATENT DOCUMENTS

D219,496 S * 12/1970 Lebedeff D28/85
D243,648 S * 3/1977 Conroy D11/145
D249,089 S * 8/1978 Studley D11/157
D286,051 S 10/1986 Nakano et al.
D336,896 S 6/1993 Carter
D339,164 S 9/1993 Pearlson
D339,165 S 9/1993 Pearlson
D339,166 S 9/1993 Pearlson
D339,167 S 9/1993 Pearlson
D420,487 S 2/2000 Swaine
D427,742 S 7/2000 McCormack et al.
D431,708 S 10/2000 McCormack et al.
D447,613 S 9/2001 Swaine
D449,726 S 10/2001 Lin
D453,754 S 2/2002 Petersen
D477,838 S 7/2003 Huang
D511,514 S 11/2005 Sonetaka et al.
D515,561 S * 2/2006 Sung D14/300
D517,856 S * 3/2006 Krasne D7/354
D530,880 S 10/2006 Magee et al.
D532,826 S * 11/2006 Gomez D20/3
D550,663 S 9/2007 Olea
D592,825 S 5/2009 Kang et al.
D596,373 S 7/2009 Kang et al.
D609,709 S * 2/2010 Allo Allo D14/440
D619,649 S * 7/2010 Chen D18/57
D624,118 S 9/2010 Tarter et al.
D642,218 S * 7/2011 Sanders D20/1
D654,079 S * 2/2012 Allo Allo D14/440
D694,817 S * 12/2013 Adam D18/19

* cited by examiner

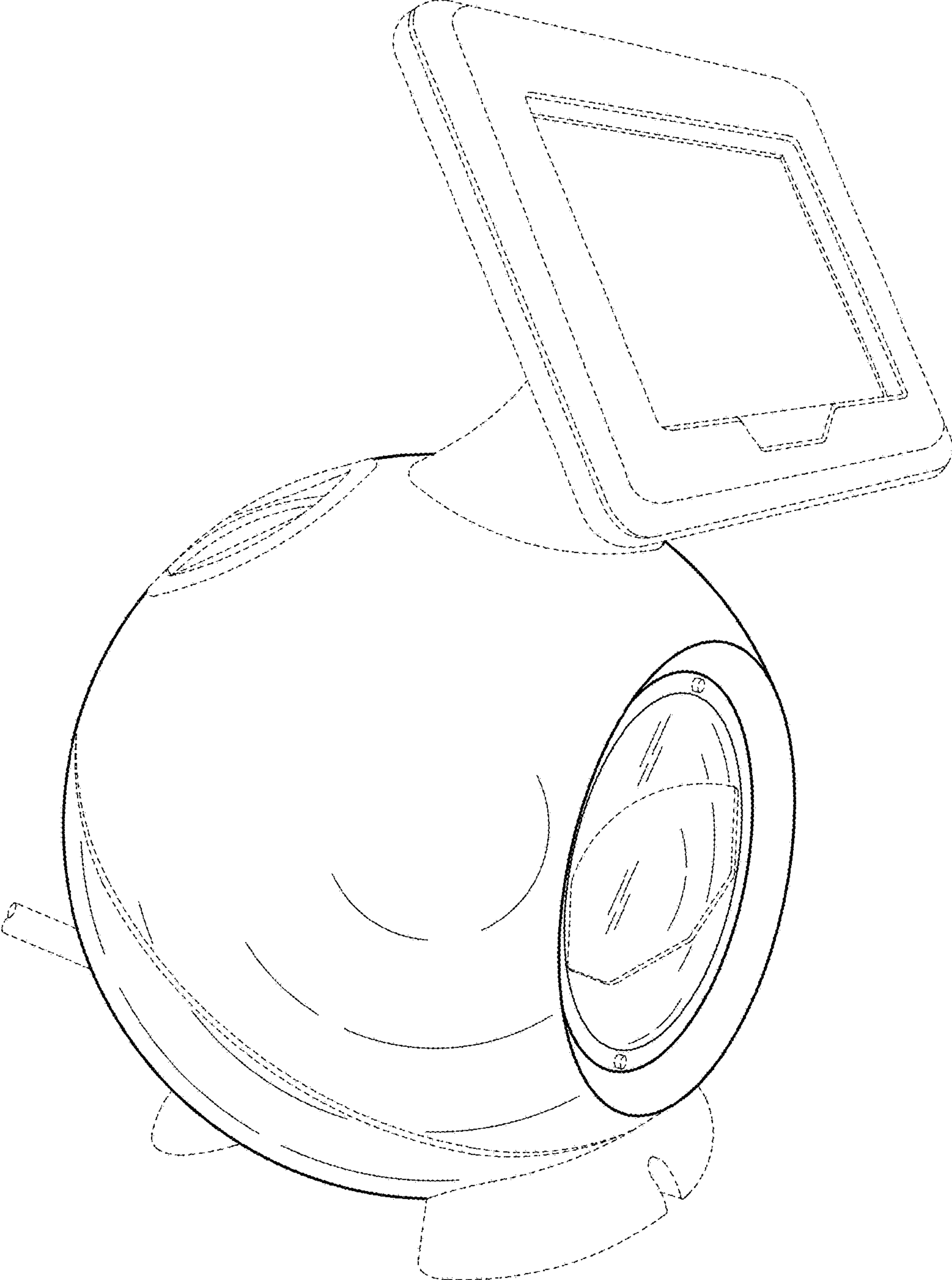


Fig. 1

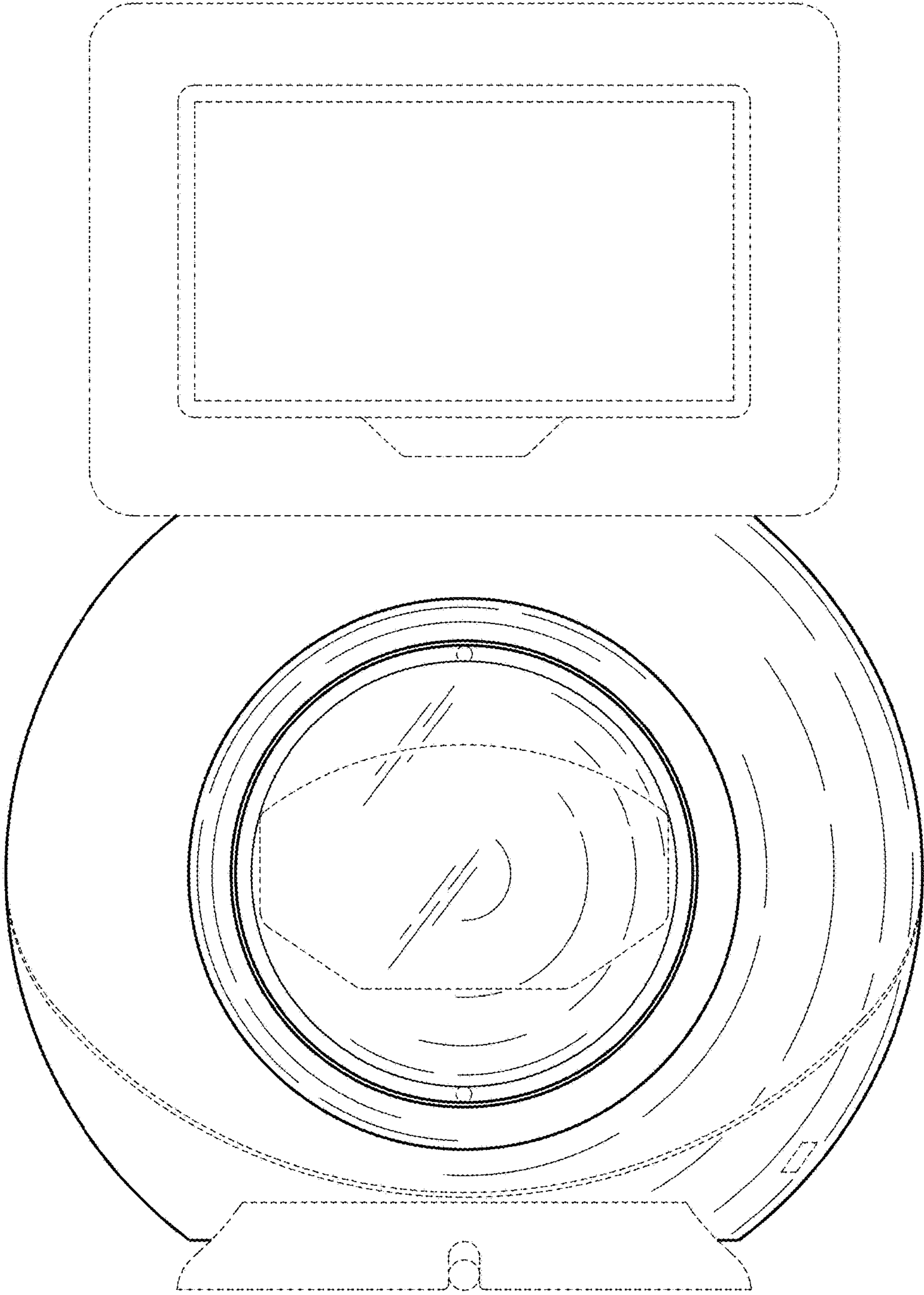


Fig. 2

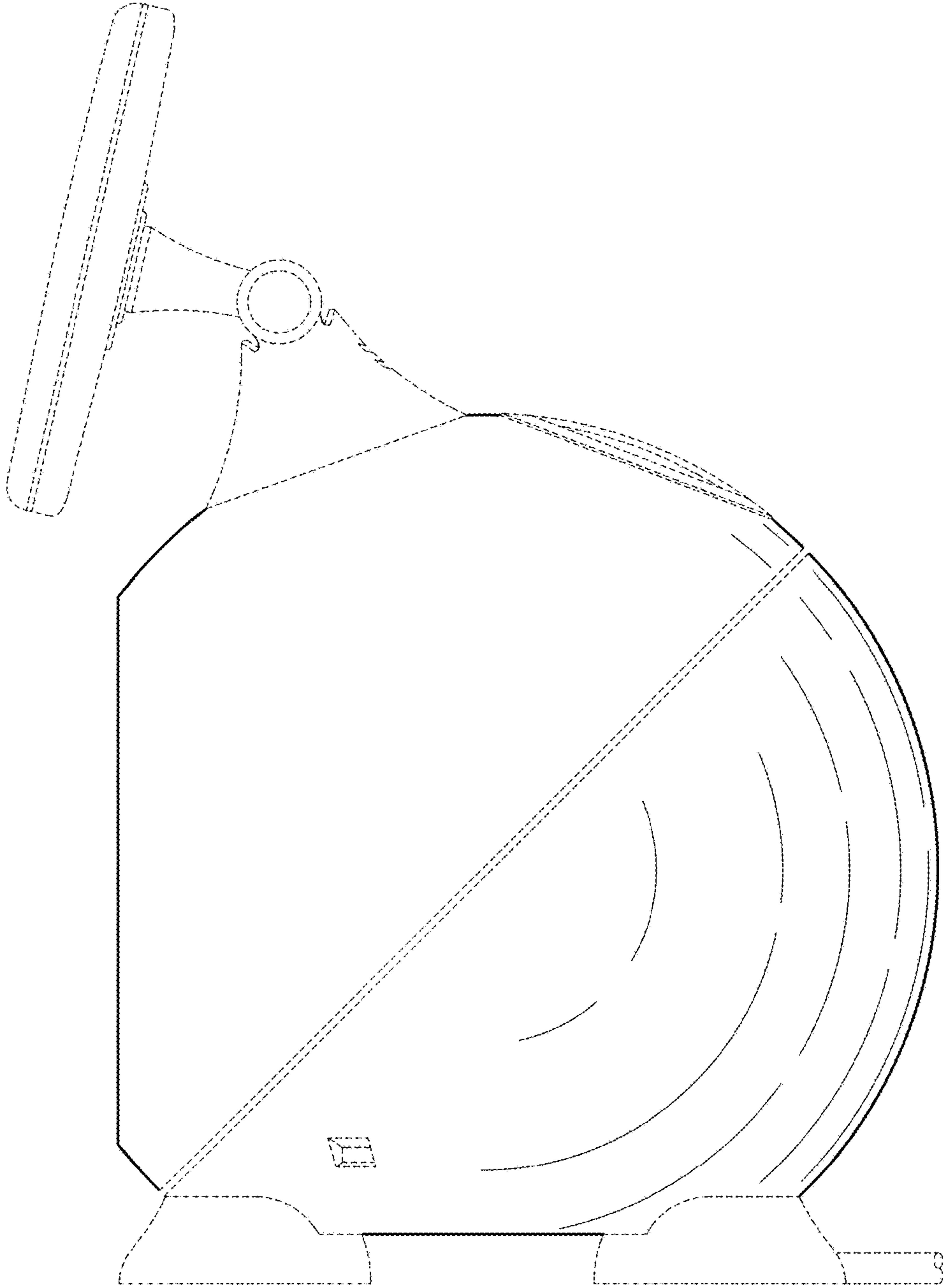


Fig. 3

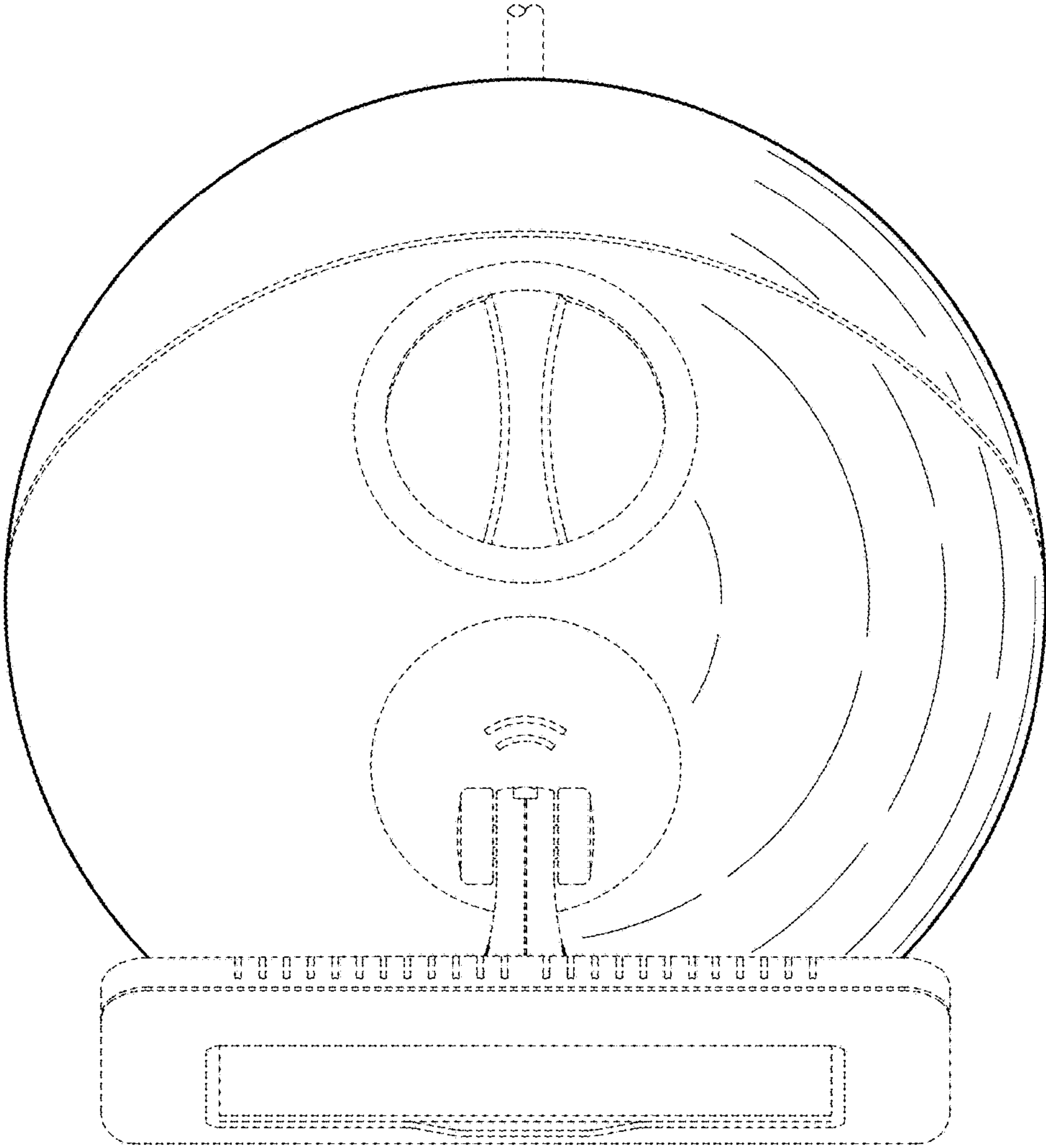


Fig. 4

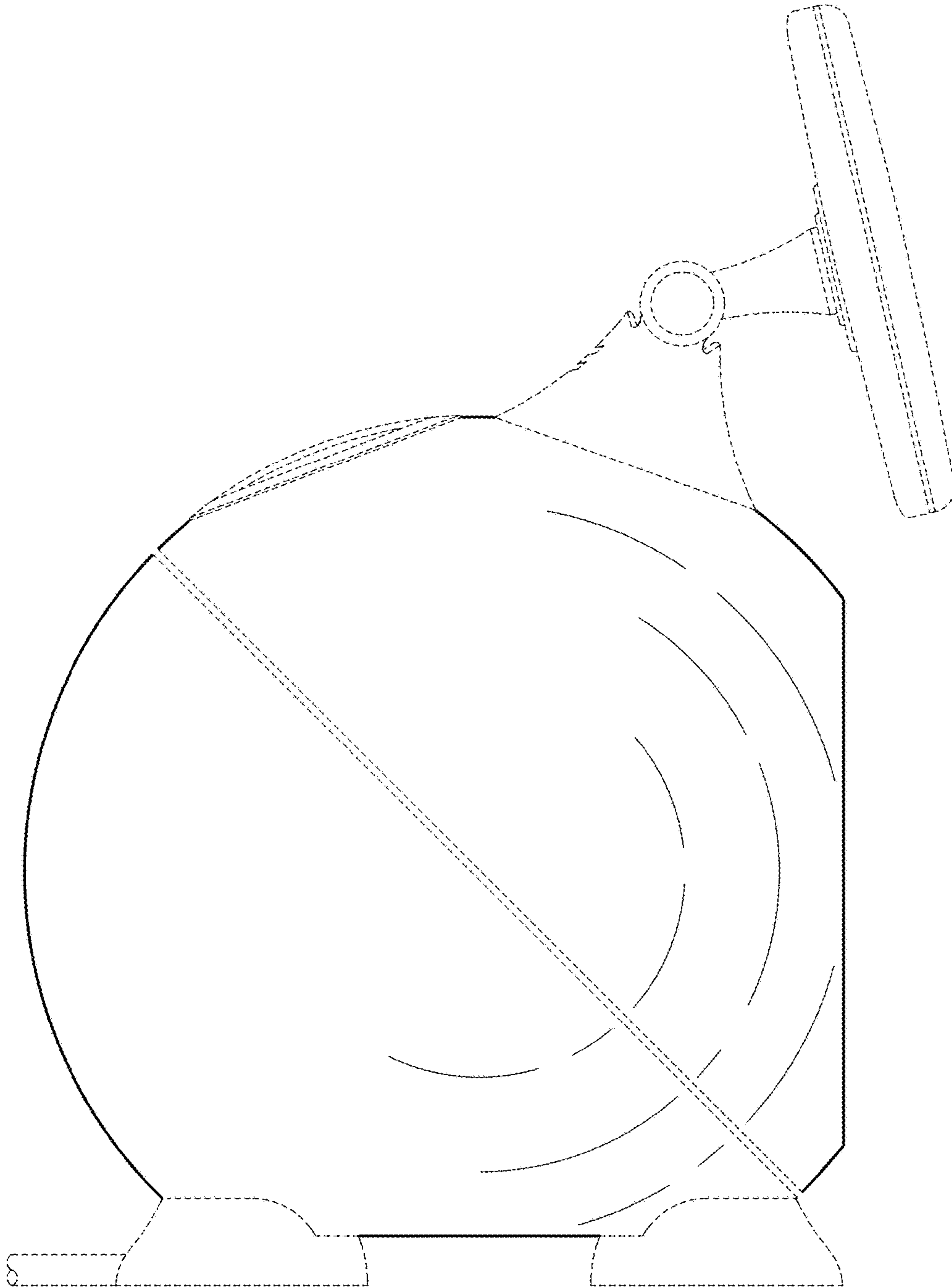


Fig. 5

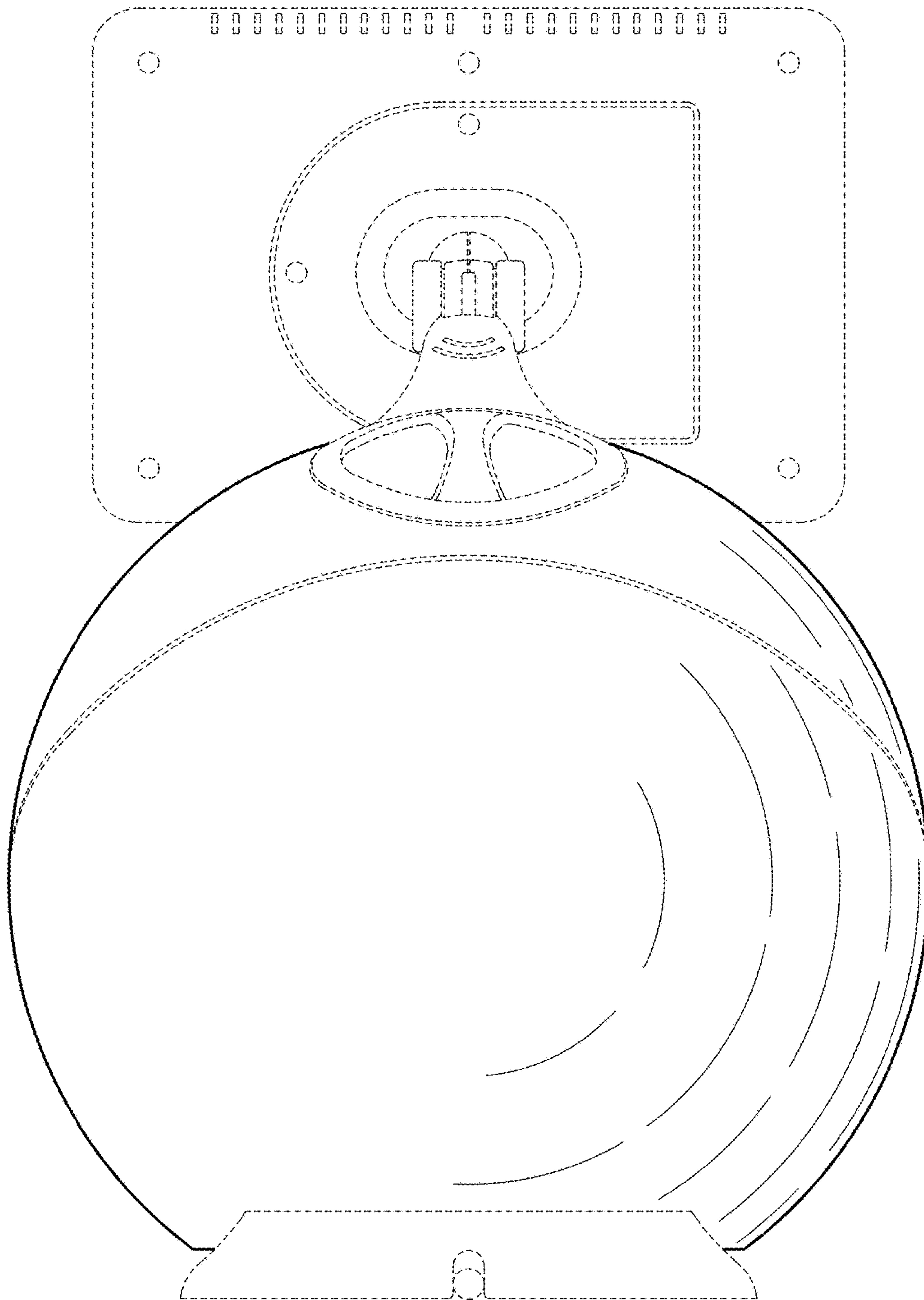


Fig. 6