



US00D822096S

(12) **United States Design Patent** (10) **Patent No.:** **US D822,096 S**
Chandontrikij (45) **Date of Patent:** **** Jul. 3, 2018**

(54) **CAJON DRUM**
(71) Applicant: **CHAN MUSICAL CO., LTD.,**
Bangkok (TH)
(72) Inventor: **Krisakorn Chandontrikij,** Bangkok
(TH)
(73) Assignee: **CHAN MUSICAL CO., LTD.,**
Bangkok (TH)
(**) Term: **15 Years**
(21) Appl. No.: **29/595,023**
(22) Filed: **Feb. 24, 2017**
(51) **LOC (11) Cl.** **17-04**
(52) **U.S. Cl.**
USPC **D17/22**
(58) **Field of Classification Search**
USPC D17/22, 99; D11/79, 81, 131, 157;
D21/300, 324, 396, 398, 405; D6/334,
D6/685, 689, 364, 692, 696, 697
CPC G10D 13/00; G10D 13/003; G10D 13/006;
G10D 13/02; G10D 13/021; G10D
13/022; G10D 13/023; G10D 13/024;
G10D 13/025
See application file for complete search history.

2010/0031802 A1* 2/2010 Millender, Jr. G10D 13/021
84/411 R
2014/0000436 A1* 1/2014 Klein G10D 13/025
84/415
2016/0335991 A1* 11/2016 Amos G10D 13/00

FOREIGN PATENT DOCUMENTS

ES I0158027 * 3/2004
ES D0511880-01 * 1/2011
WO WO-2009001149 A1 * 12/2008 G10D 13/021

OTHER PUBLICATIONS

Getty Images, Drum Kit and Percussion Studio Shoots, posted on Jan. 8, 2013, [online], [site visited on Nov. 13, 2017]. Available from Internet, <URL: <http://www.gettyimages.ca/license/176917462>> (Year: 2013).*
U.S. Appl. No. 15/441,541; Non-Final Office Action; Date Filed: Feb. 24, 2017; dated: Dec. 15, 2017; pp. 1-8.

* cited by examiner

Primary Examiner — Sheryl Lane
Assistant Examiner — Samantha N Wood
(74) *Attorney, Agent, or Firm* — Cantor Colburn LLP

(57) **CLAIM**

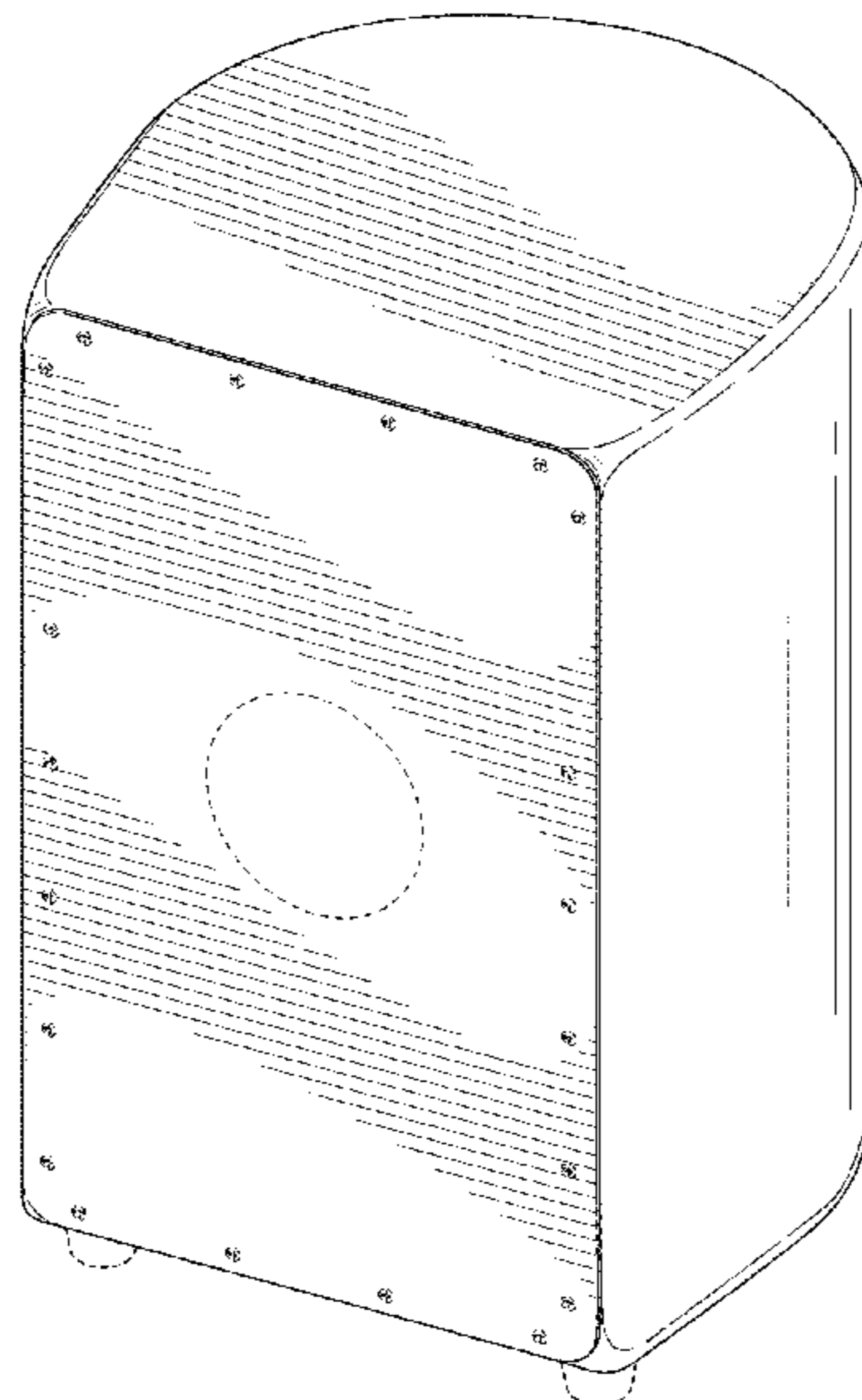
I claim, the ornamental design for a cajon drum, as shown and described.

DESCRIPTION

FIG. 1 is a perspective view of a cajon drum, showing our new design in an exemplary environment;
FIG. 2 is a side elevation view thereof;
FIG. 3 is a second side elevation view thereof;
FIG. 4 is a front elevation view thereof;
FIG. 5 is a back elevation view thereof;
FIG. 6 is a top plan view thereof; and,
FIG. 7 is a bottom plan view thereof.
The broken lines are for environmental purpose only and form no part of the claimed design.

1 Claim, 4 Drawing Sheets

(56) **References Cited**
U.S. PATENT DOCUMENTS
D303,327 S * 9/1989 Masarotti D6/334
D467,266 S * 12/2002 Nagele D18/56
D669,276 S * 10/2012 Schaack D6/334
9,087,497 B1 7/2015 Krol et al.
D786,337 S 5/2017 Chandontrikit
9,691,366 B2 * 6/2017 Amos G10D 13/00
2008/0121088 A1 * 5/2008 Curet Troche G10D 13/02
84/413



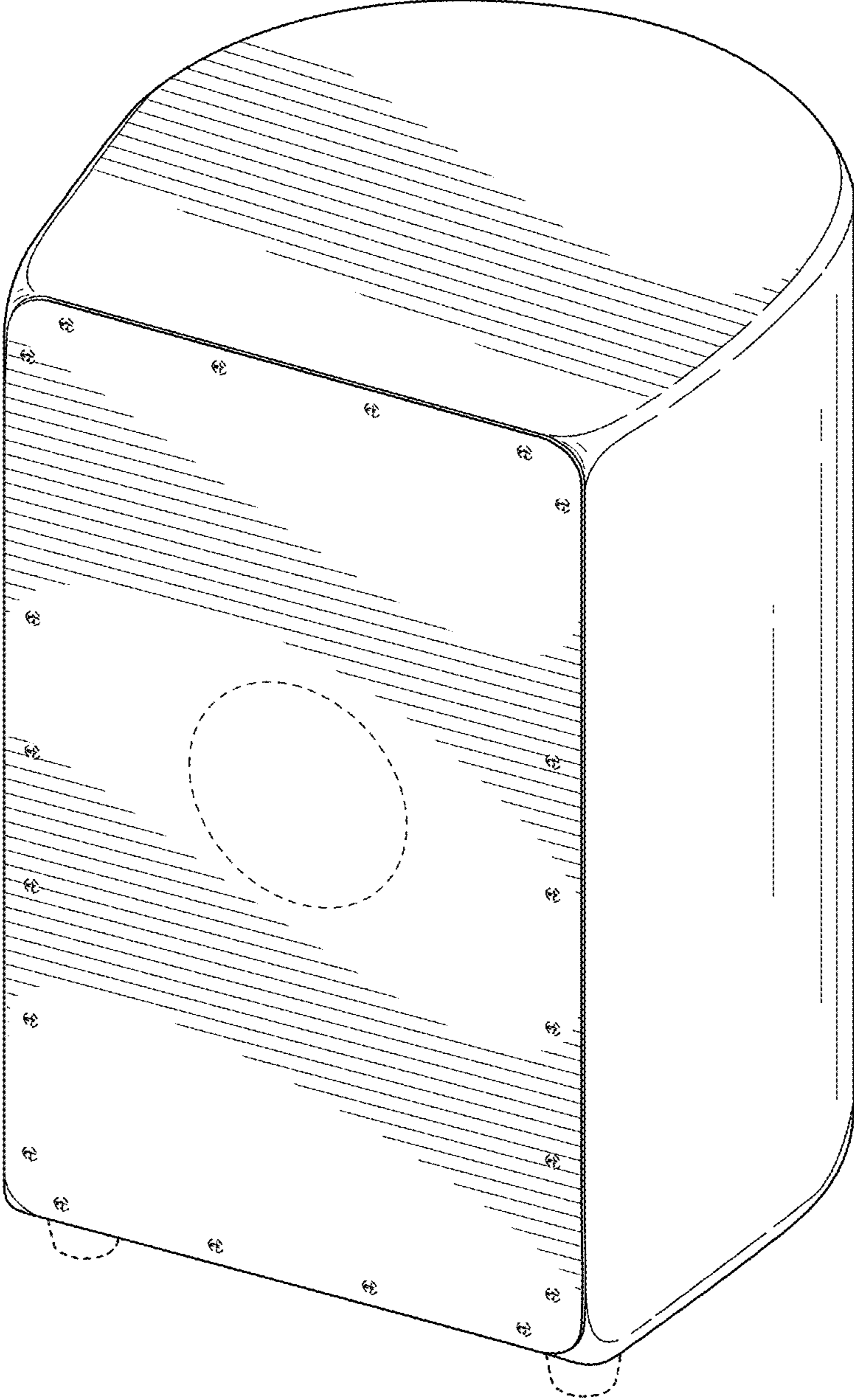


FIG. 1

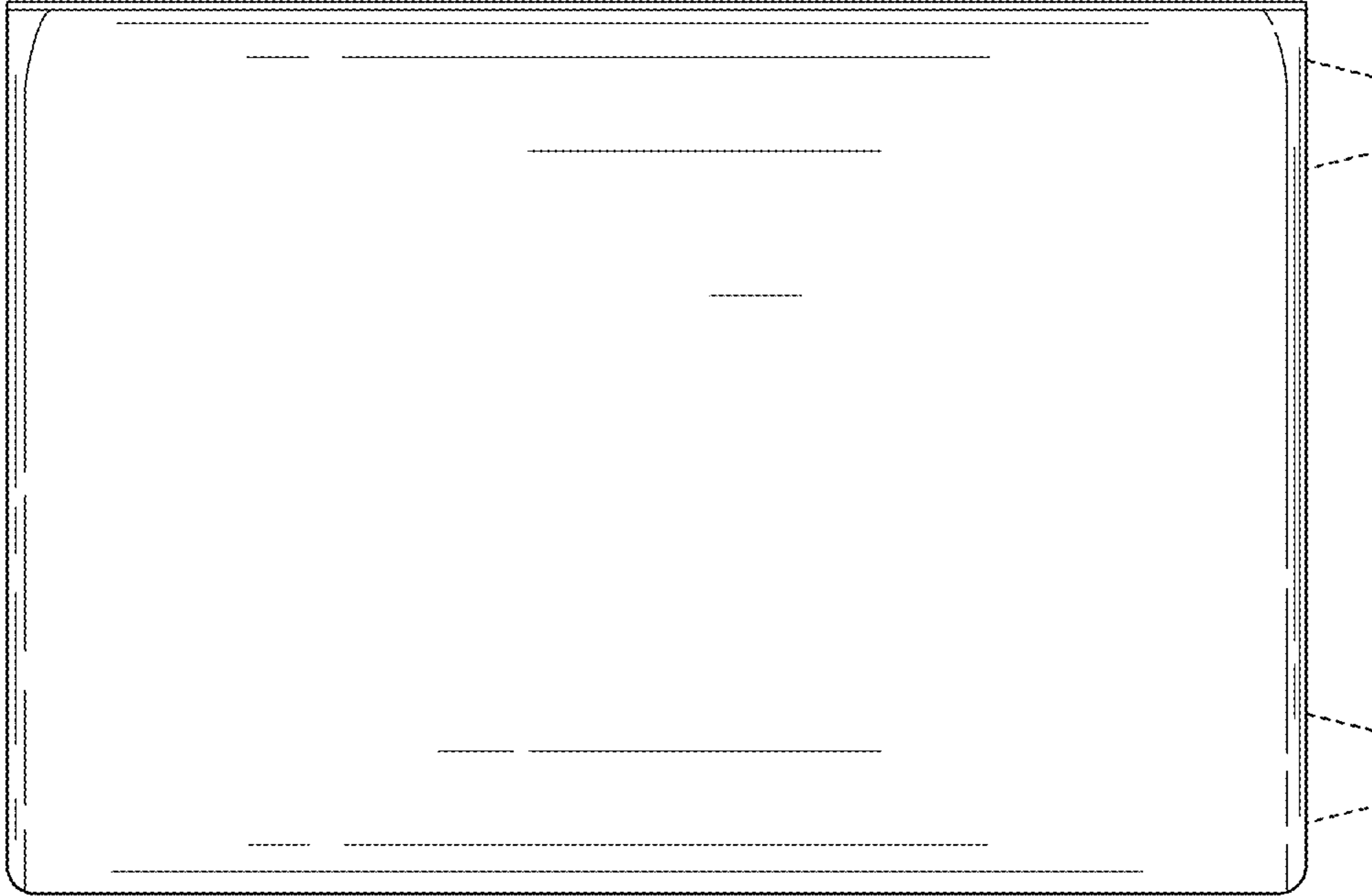


FIG. 3

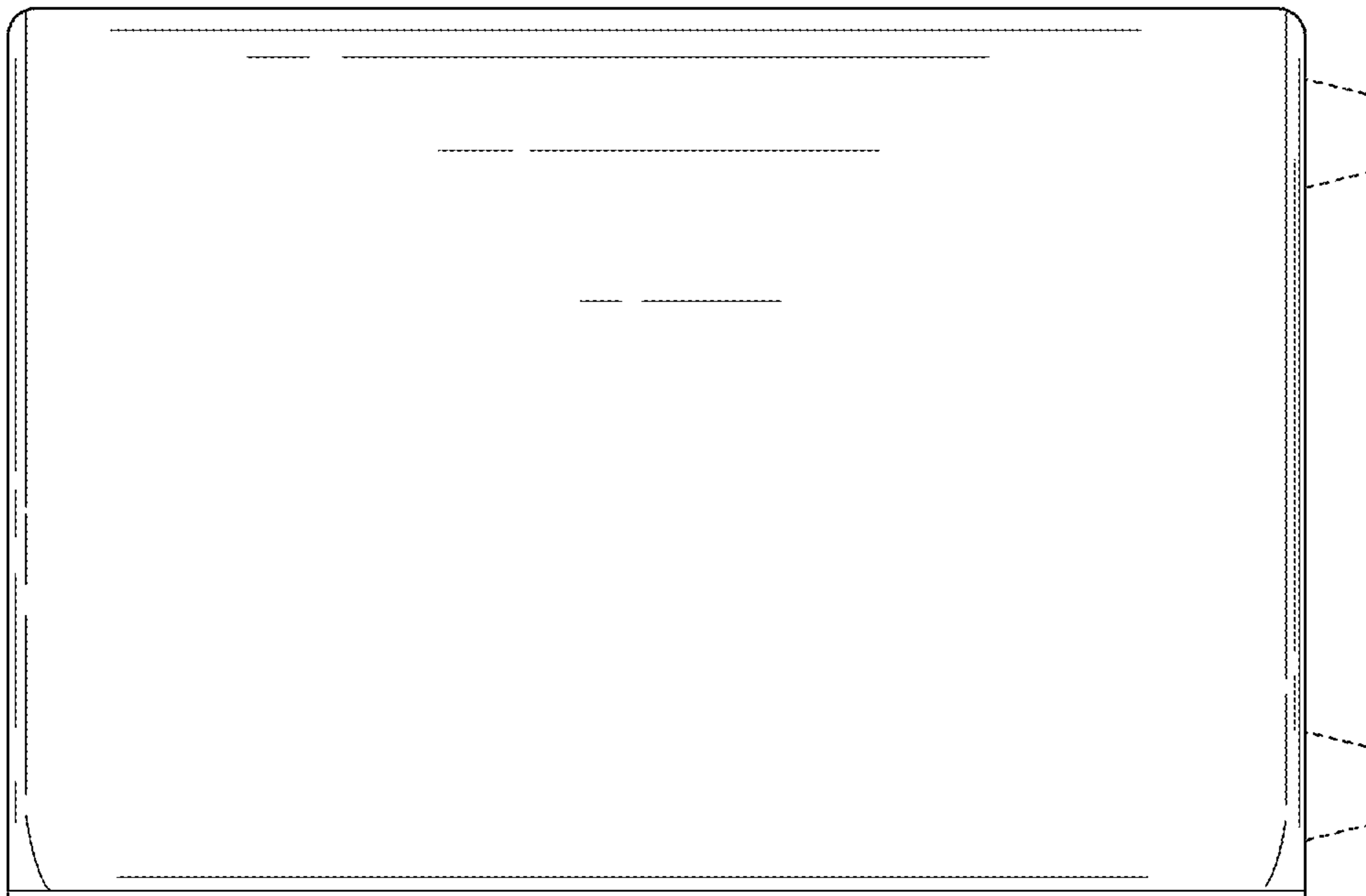


FIG. 2

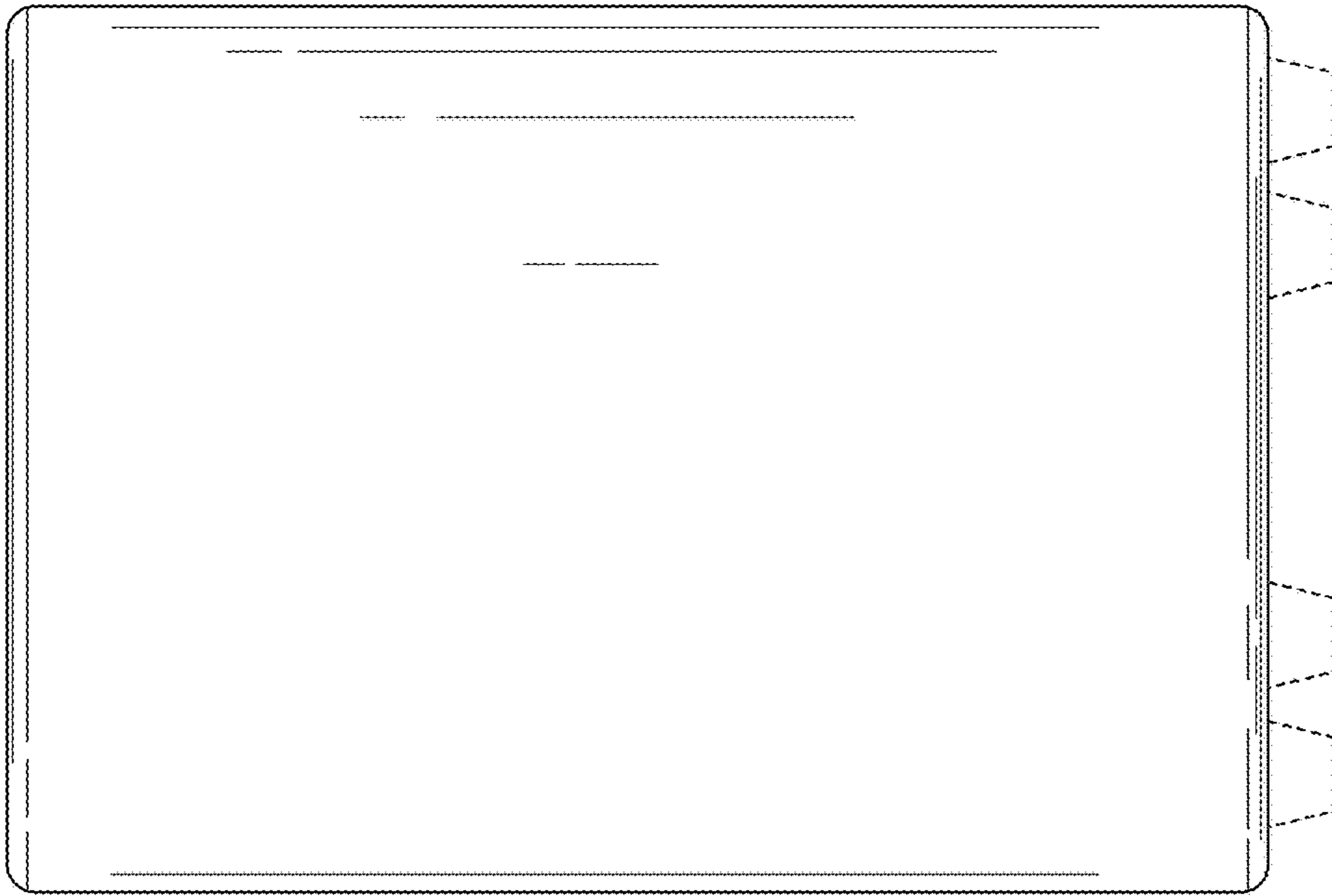


FIG. 5

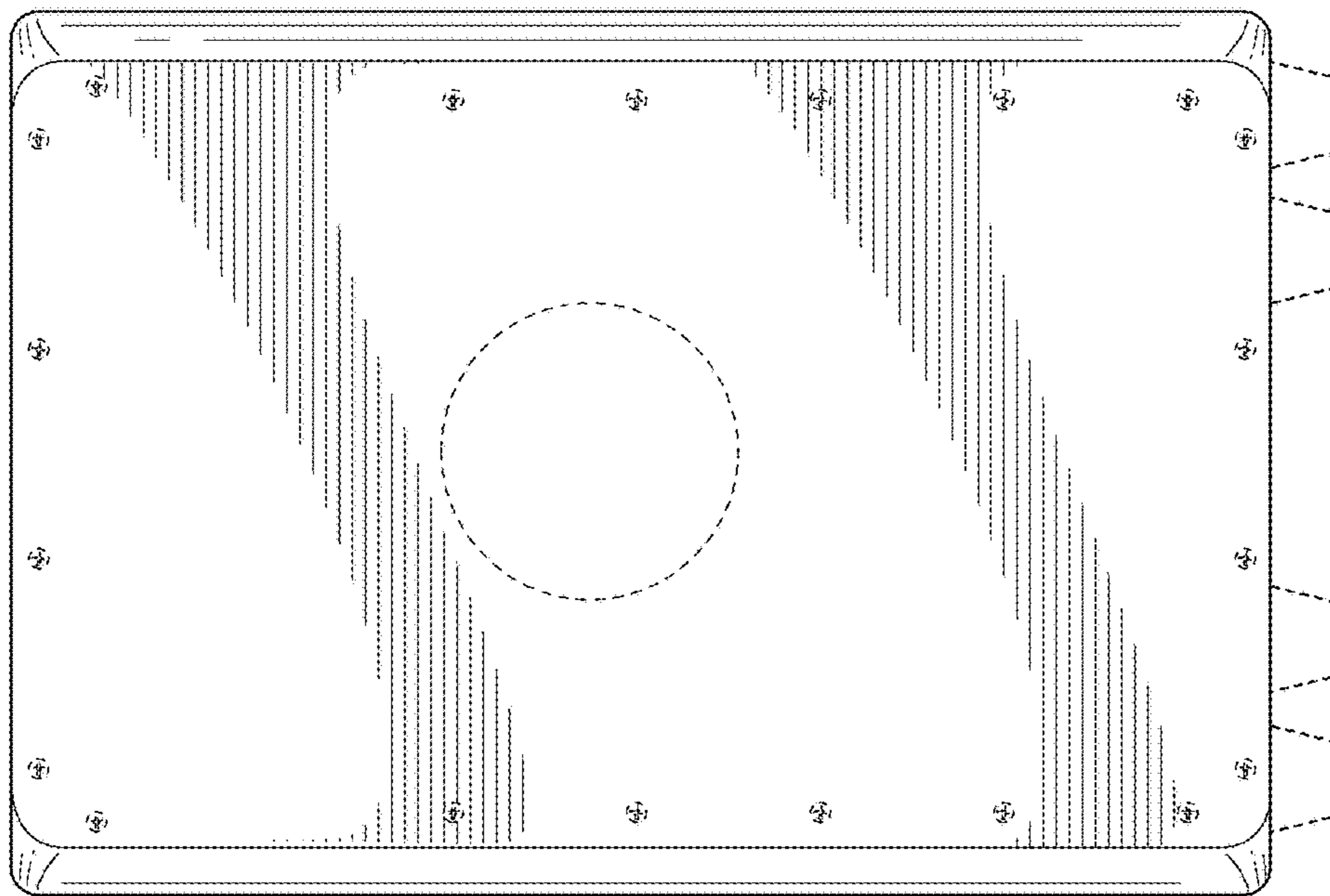


FIG. 4

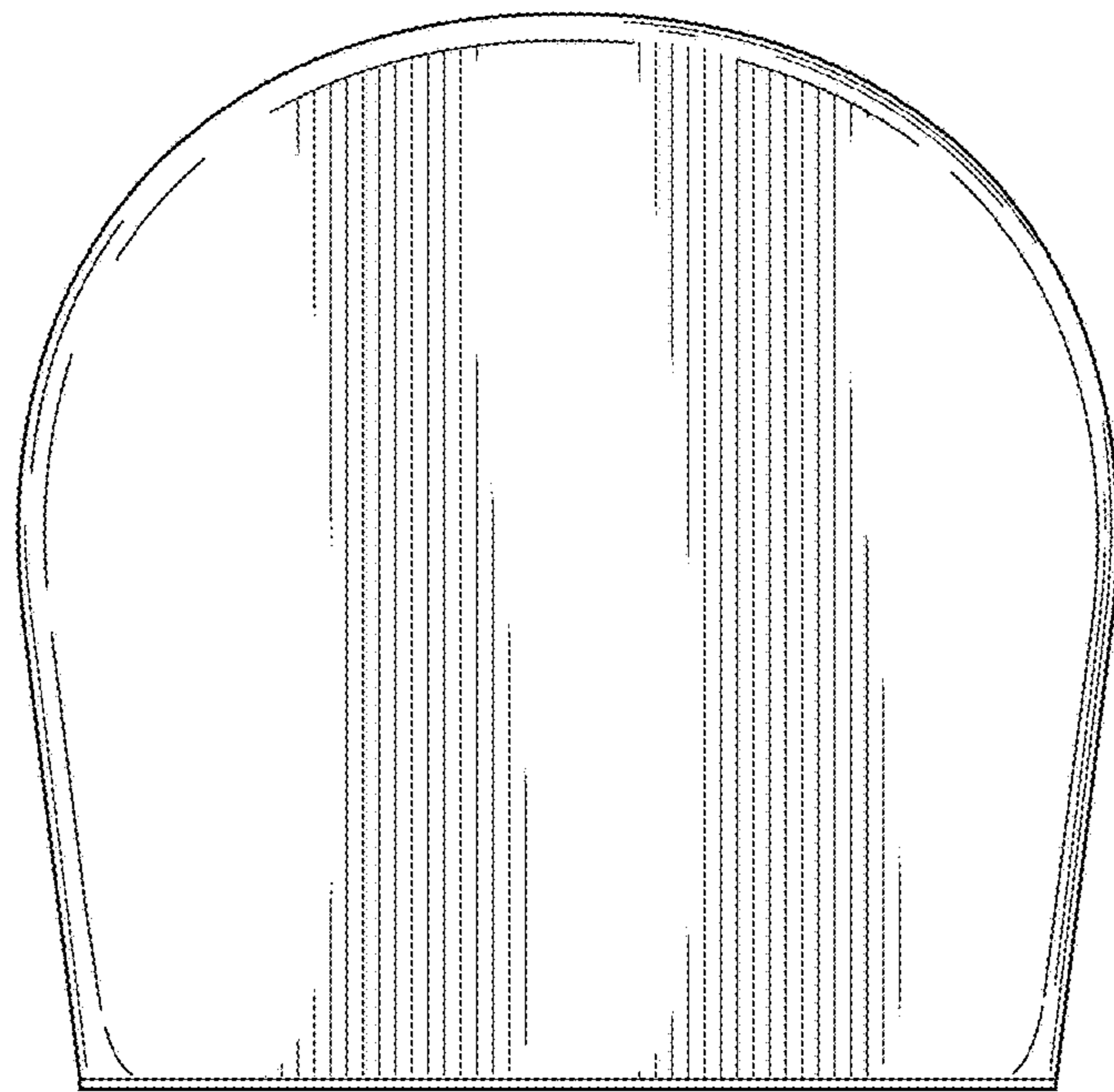


FIG. 6

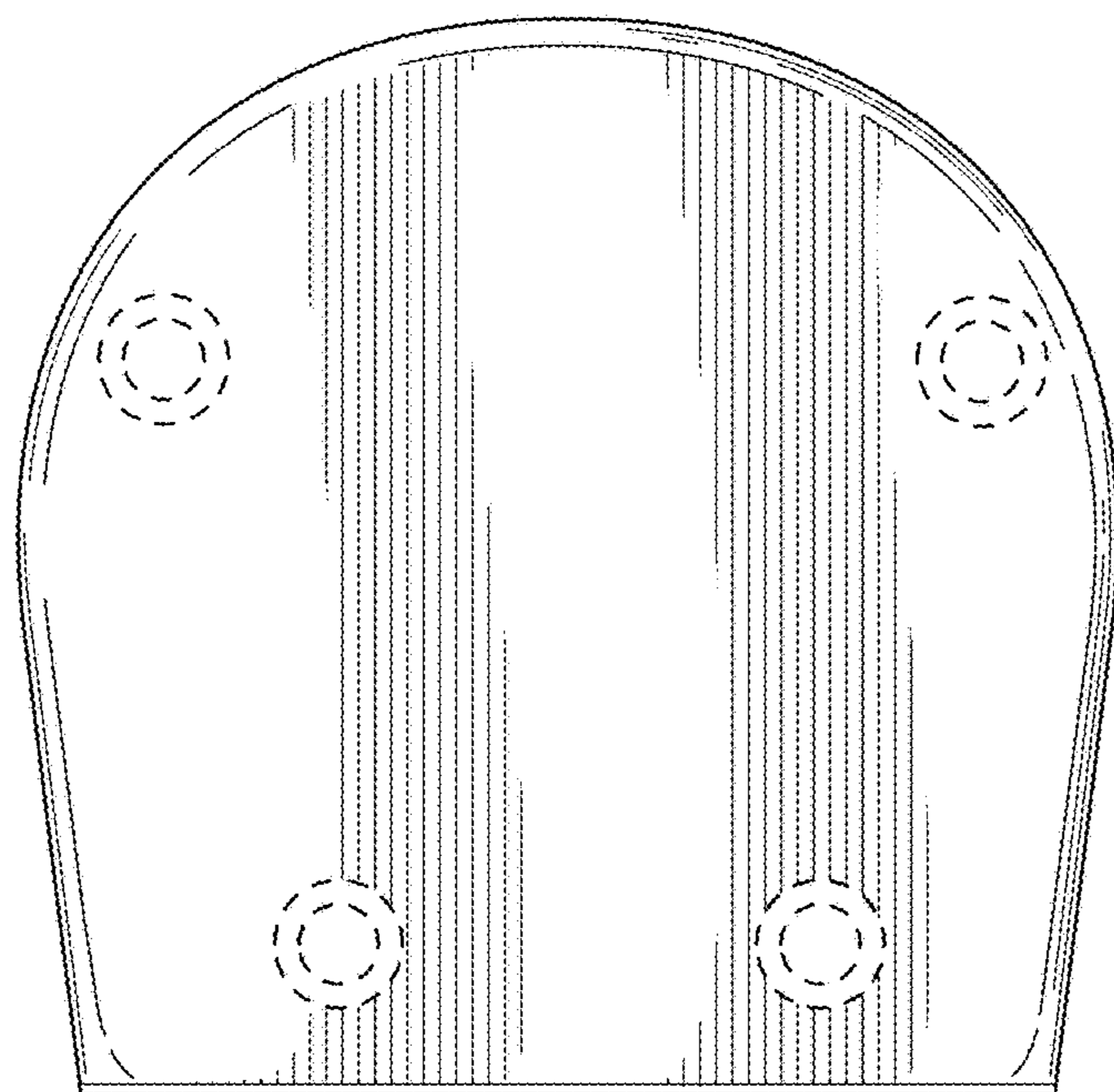


FIG. 7