



US00D822092S

(12) **United States Design Patent**  
**Bergman et al.**

(10) **Patent No.:** **US D822,092 S**  
(45) **Date of Patent:** **\*\* Jul. 3, 2018**

(54) **TELESCOPING TRIPOD CAMERA MOUNT**

(71) Applicant: **GoPro, Inc.**, San Mateo, CA (US)

(72) Inventors: **Senka Agic Bergman**, San Mateo, CA (US); **Nicholas Vitale**, Foster City, CA (US); **Erik Jorgensen**, San Francisco, CA (US)

(73) Assignee: **GoPro, Inc.**, San Mateo, CA (US)

(\*\*) Term: **15 Years**

(21) Appl. No.: **29/596,331**

(22) Filed: **Mar. 7, 2017**

(51) **LOC (11) Cl.** ..... **16-05**

(52) **U.S. Cl.**  
USPC ..... **D16/243; D16/244**

(58) **Field of Classification Search**  
USPC ..... D14/224, 229, 238, 251, 253, 433, 434,  
D14/447, 451; D16/219, 237–250;  
(Continued)

(56) **References Cited**

**U.S. PATENT DOCUMENTS**

D415,805 S \* 10/1999 Wygonik ..... D16/244  
D505,442 S \* 5/2005 Murray ..... D16/244  
(Continued)

**OTHER PUBLICATIONS**

Smatree Go Pro Accessories—Smapole Q3 Telescoping Go Pro Pole. [online] Retrieved Jan. 19, 2018 from URL:[https://www.alibaba.com/product-detail/Smatree-Go-pro-Accessories-SmaPole-Q3\\_60258252130.html](https://www.alibaba.com/product-detail/Smatree-Go-pro-Accessories-SmaPole-Q3_60258252130.html).\*

(Continued)

*Primary Examiner* — Vy N Koenig

(74) *Attorney, Agent, or Firm* — Young Basile Hanlon & MacFarlane, P.C.

(57) **CLAIM**

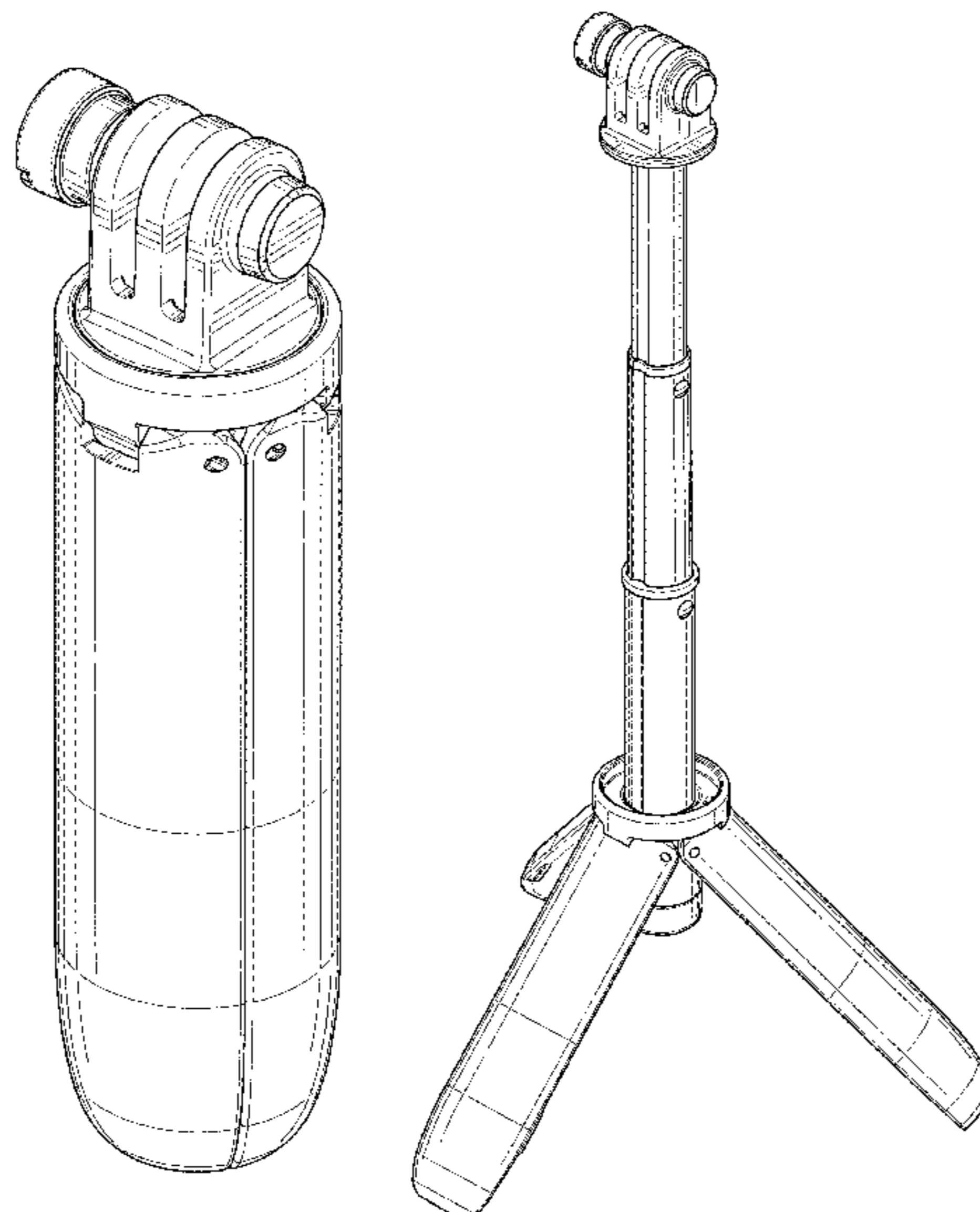
The ornamental design for a telescoping tripod camera mount, as shown and described.

**DESCRIPTION**

FIG. 1 is a front, top, and right perspective view of a telescoping tripod camera mount in a first configuration; FIG. 2 is a rear, bottom, and left perspective view thereof; FIG. 3 is a front plan view thereof; FIG. 4 is a rear plan view thereof; FIG. 5 is a left view thereof; FIG. 6 is a right view thereof; FIG. 7 is a top view thereof; FIG. 8 is a bottom view thereof; FIG. 9 is a front, top, and right perspective view of the telescoping tripod camera mount in a second configuration; FIG. 10 is a rear, bottom, and left perspective view thereof; FIG. 11 is a front plan view thereof; FIG. 12 is a rear plan view thereof; FIG. 13 is a left view thereof; FIG. 14 is a right view thereof; FIG. 15 is a top view thereof; FIG. 16 is a bottom view thereof; FIG. 17 is a front, top, and right perspective view of the telescoping tripod camera mount in a third configuration; FIG. 18 is a rear, bottom, and left perspective view thereof; FIG. 19 is a front plan view thereof; FIG. 20 is a rear plan view thereof; FIG. 21 is a left view thereof; FIG. 22 is a right view thereof; FIG. 23 is a top view thereof; and, FIG. 24 is a bottom view thereof.

The broken lines in the drawings showing portions of the telescoping tripod camera mount are included for the purpose of illustrating environmental structure and form no part of the claimed design.

**1 Claim, 24 Drawing Sheets**



(58) **Field of Classification Search**

USPC ..... D8/354–356, 363, 367–371, 373,  
D8/382–383, 394–396  
CPC ..... G03B 17/56; G03B 17/561–17/568; G02B  
7/00–7/002; H04N 5/2253–5/2254; F16M  
11/04–11/12; A45F  
2200/0508–2200/0533; A45F 5/00; A45F  
5/10

See application file for complete search history.

(56) **References Cited**

U.S. PATENT DOCUMENTS

D508,938 S \* 8/2005 Murray ..... D16/244  
D532,436 S \* 11/2006 Kruse ..... D16/244  
D533,578 S \* 12/2006 Oka ..... D16/244  
D552,660 S \* 10/2007 Lee ..... D16/242  
D632,720 S \* 2/2011 Barker ..... D16/244  
D705,468 S \* 5/2014 Tompkin ..... D26/44  
D714,775 S \* 10/2014 Yoo ..... D14/253  
D718,365 S \* 11/2014 Kim ..... D16/244  
D739,456 S \* 9/2015 Poli ..... D16/244  
D800,206 S \* 10/2017 Moon ..... D16/244

OTHER PUBLICATIONS

Luxebell Selfie Stick Telescoping with Tripod Stand Mount for Gopro Hero4 3+3. [online] Published on Nov. 8, 2016. Retrieved Jan. 19, 2018 from URL:<http://www.luxebell.net/home/27-luxebell-selfie-stick-telescoping-with-tripod-stand-mount-for-gopro-hero4-3-3-hero-lcd-session-cell-phones.html>.\*

\* cited by examiner

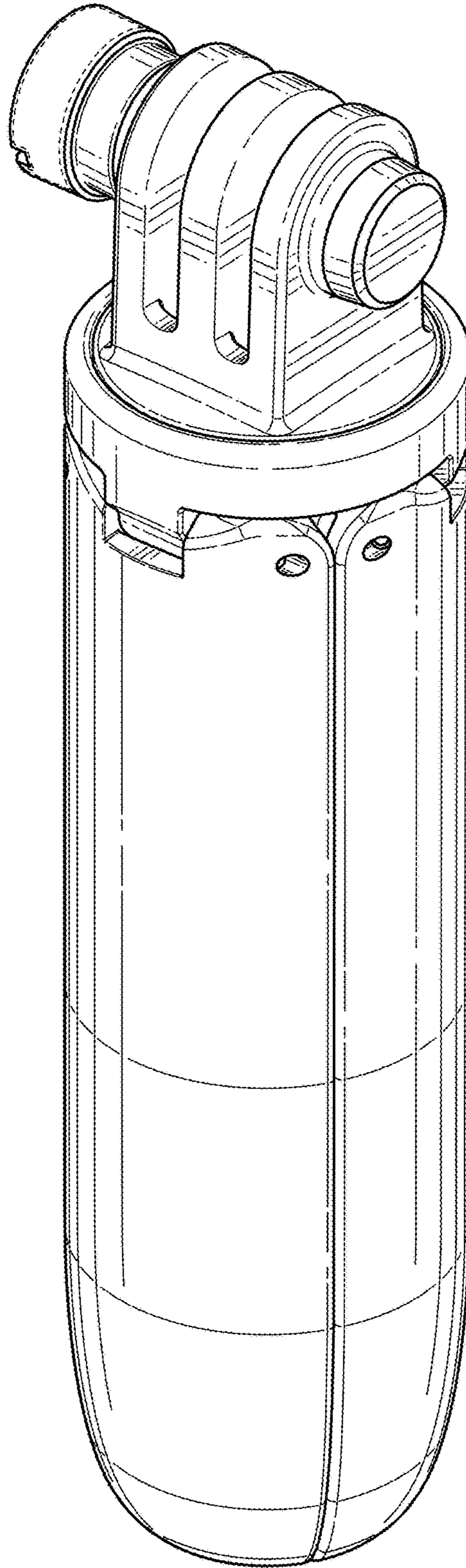


FIG. 1

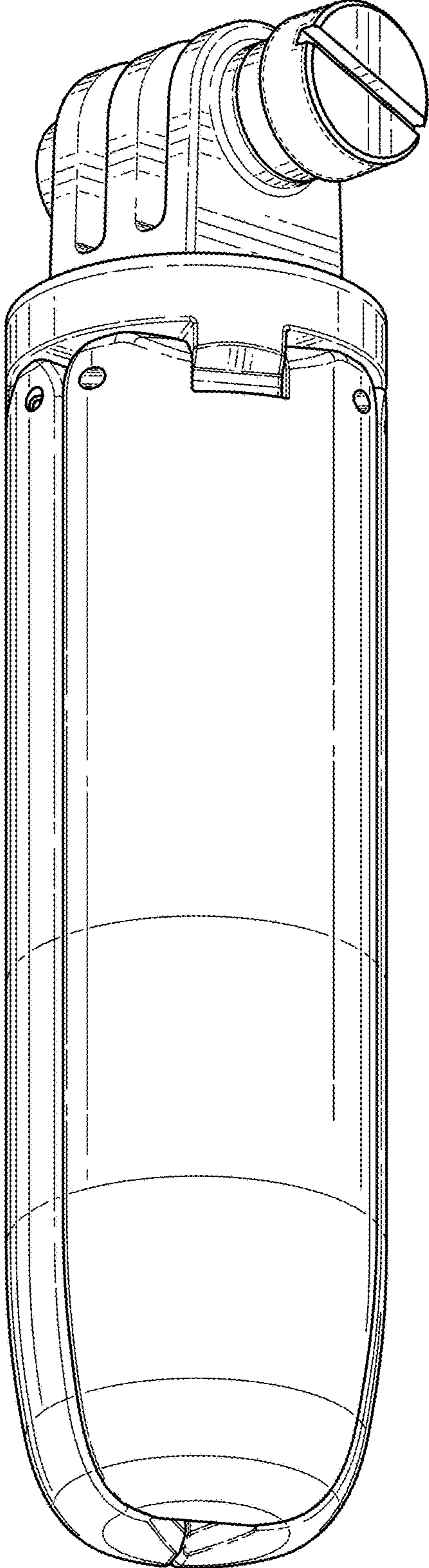


FIG. 2

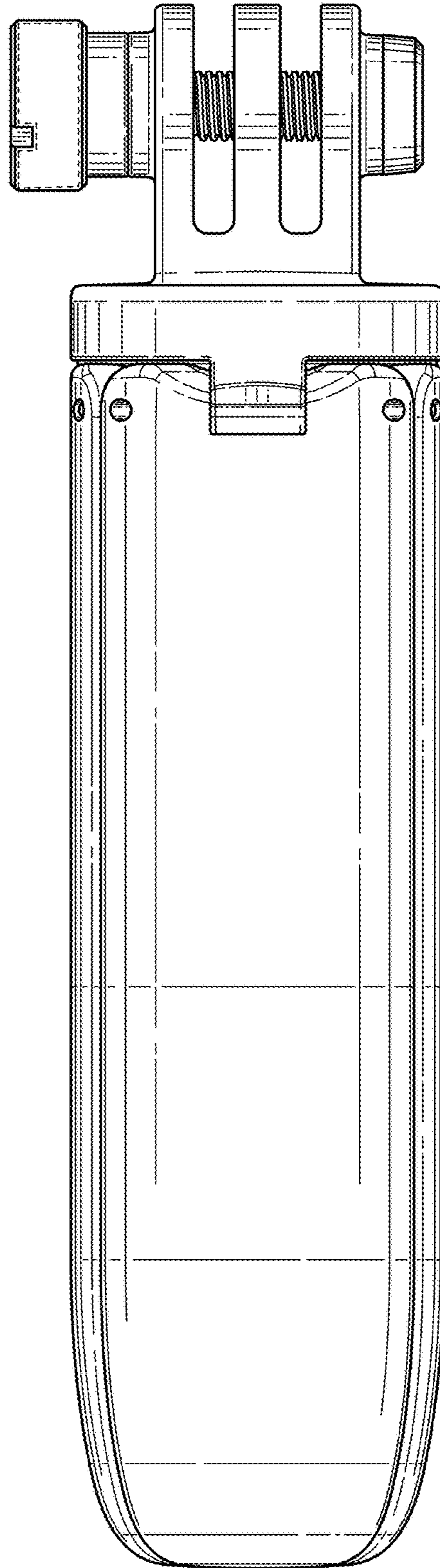


FIG. 3

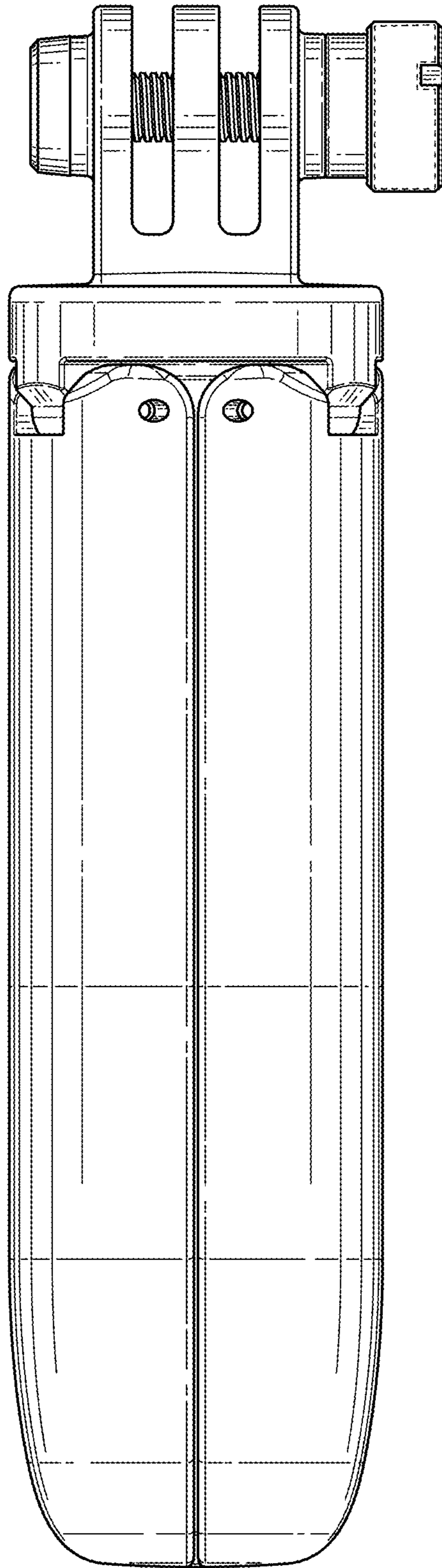


FIG. 4

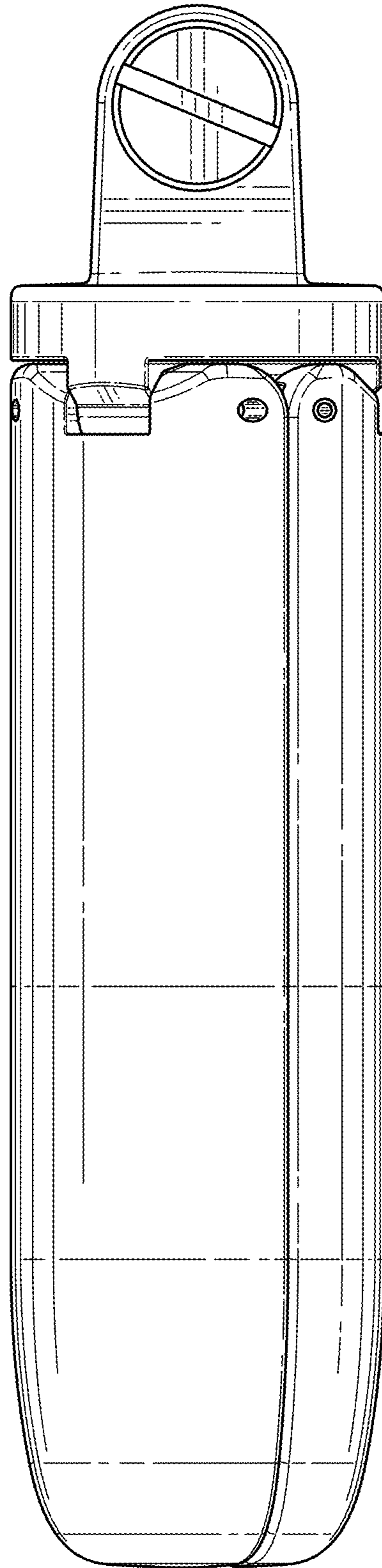


FIG. 5

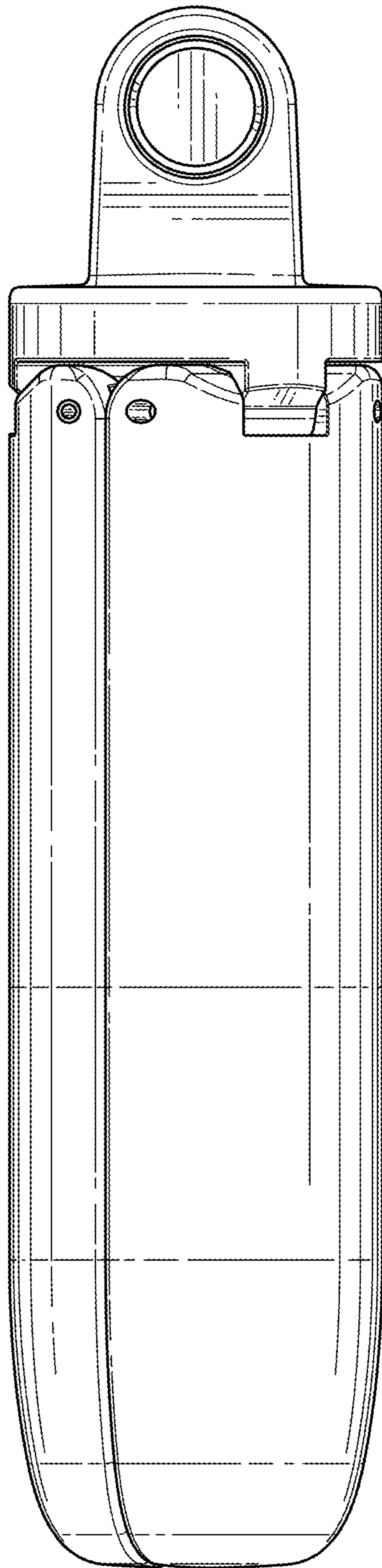


FIG. 6



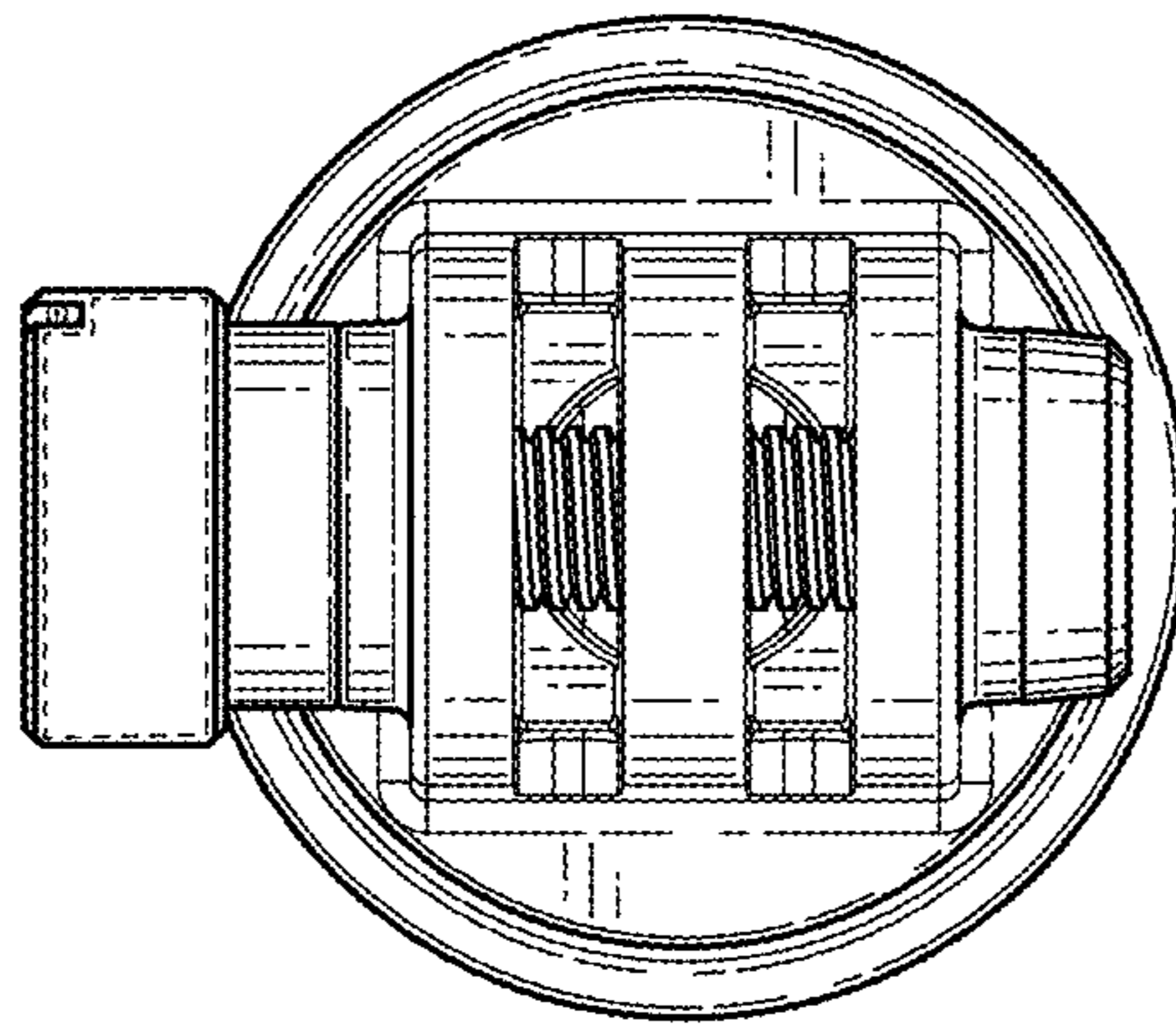


FIG. 7

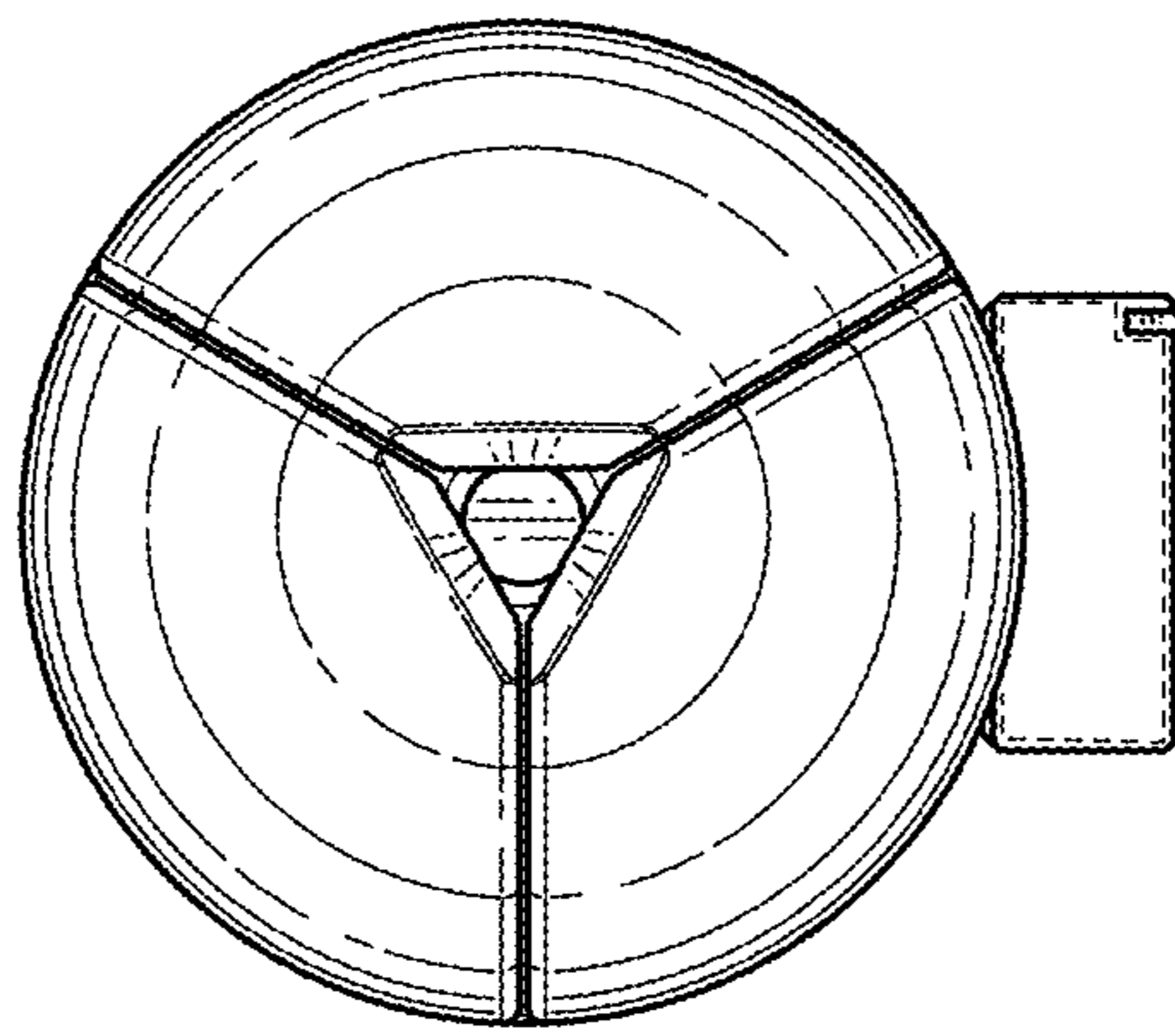


FIG. 8

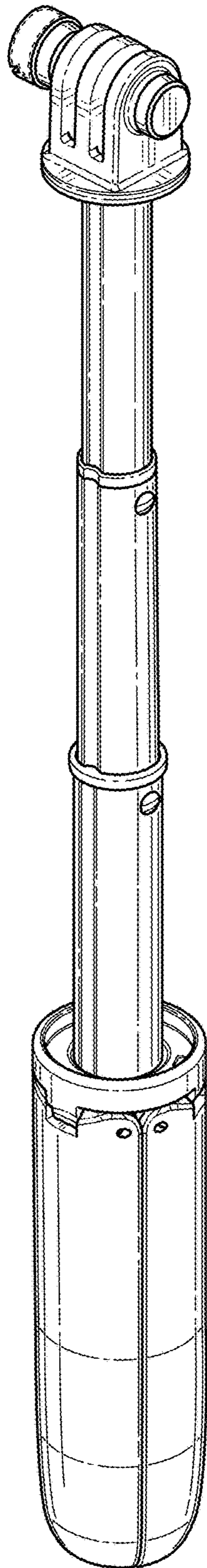


FIG. 9

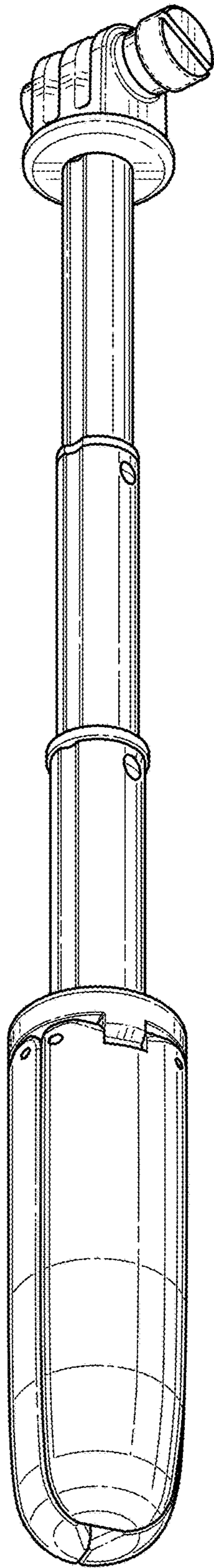


FIG. 10

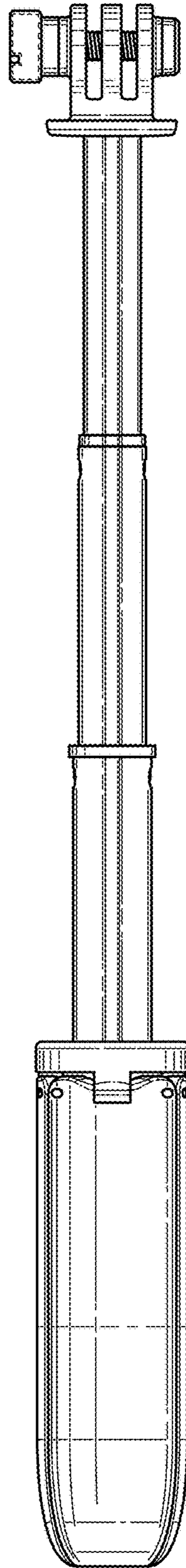


FIG. 11

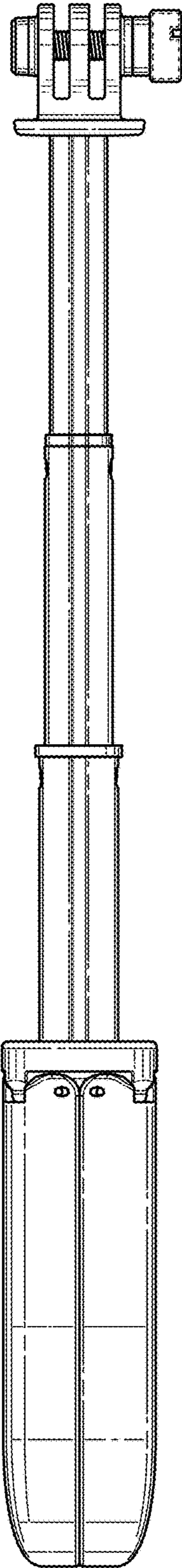


FIG. 12

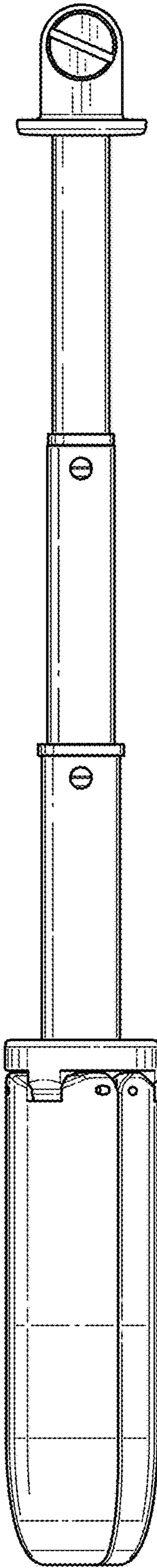


FIG. 13

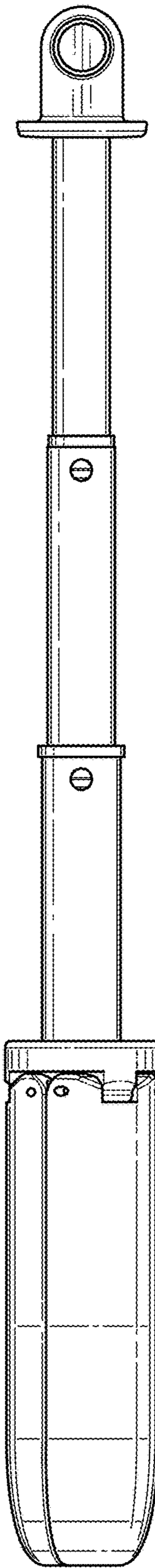


FIG. 14



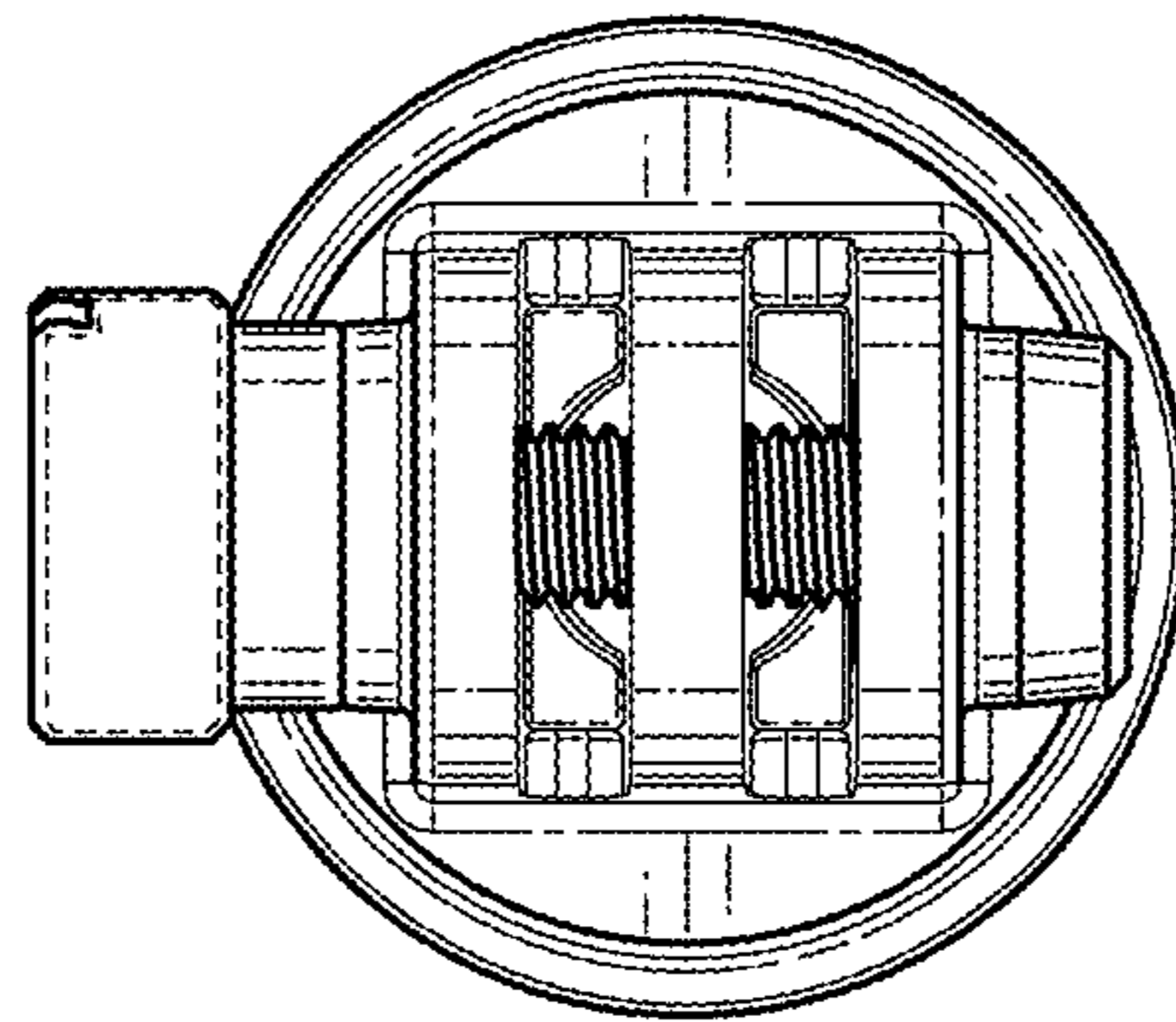


FIG. 15

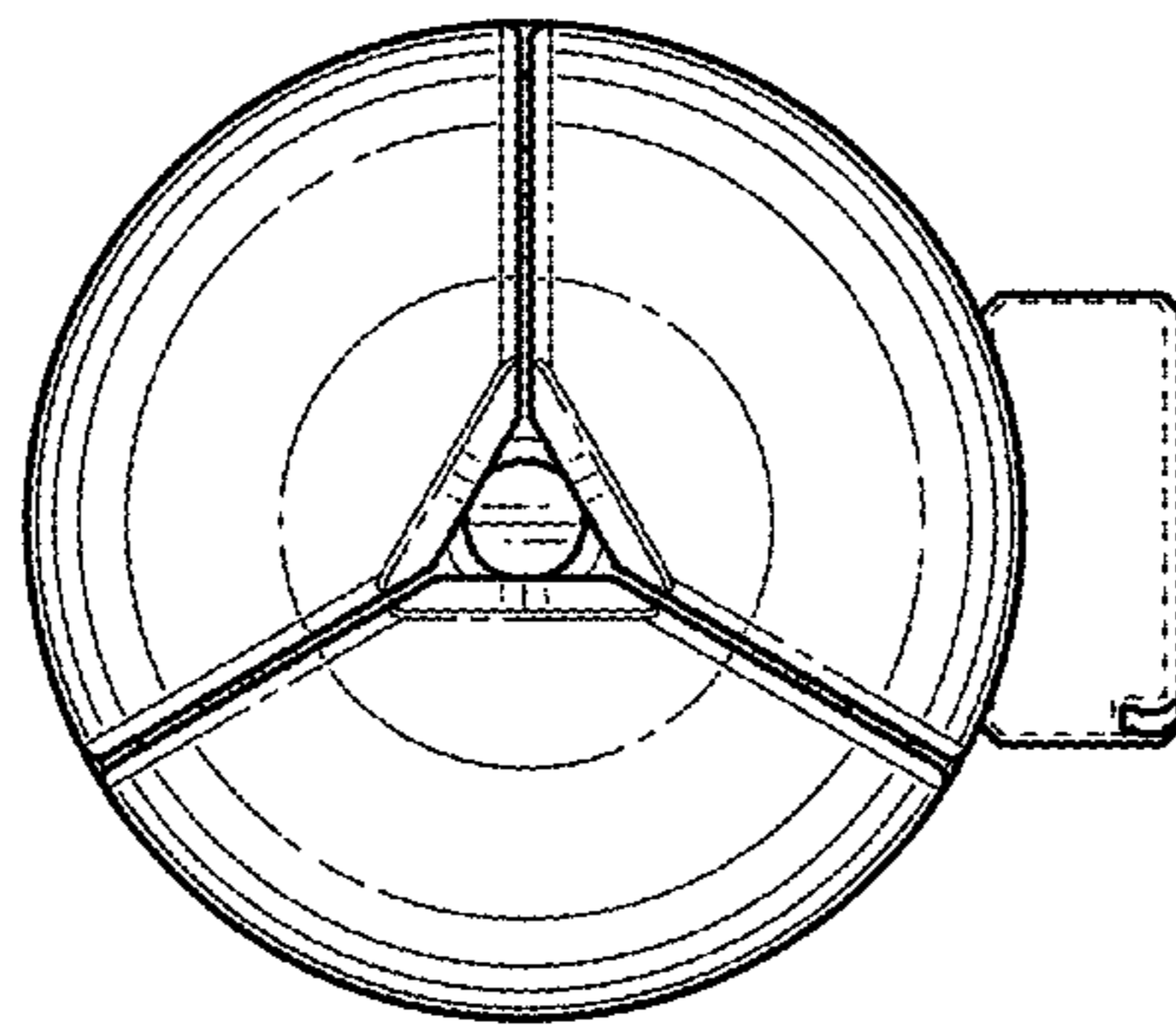


FIG. 16

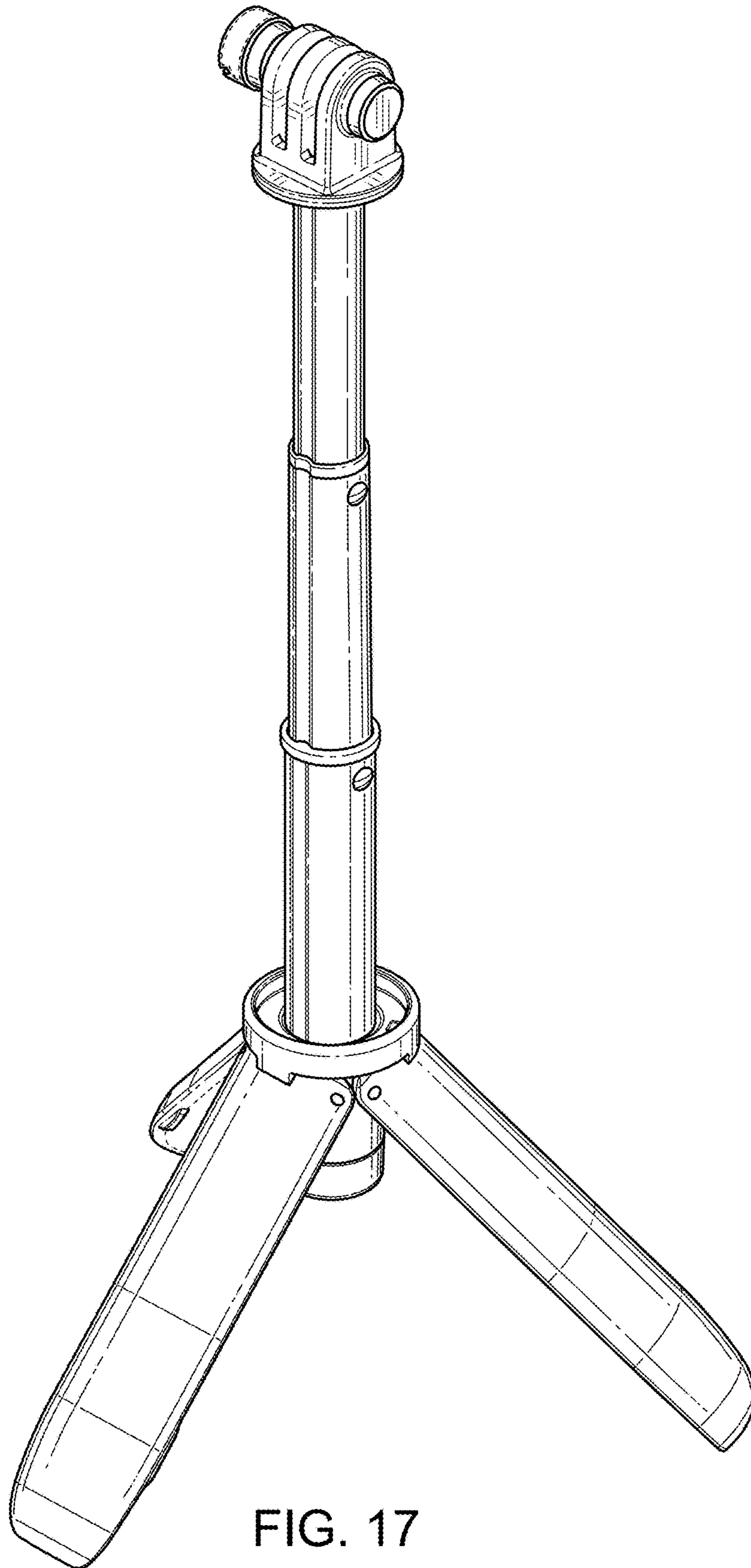


FIG. 17

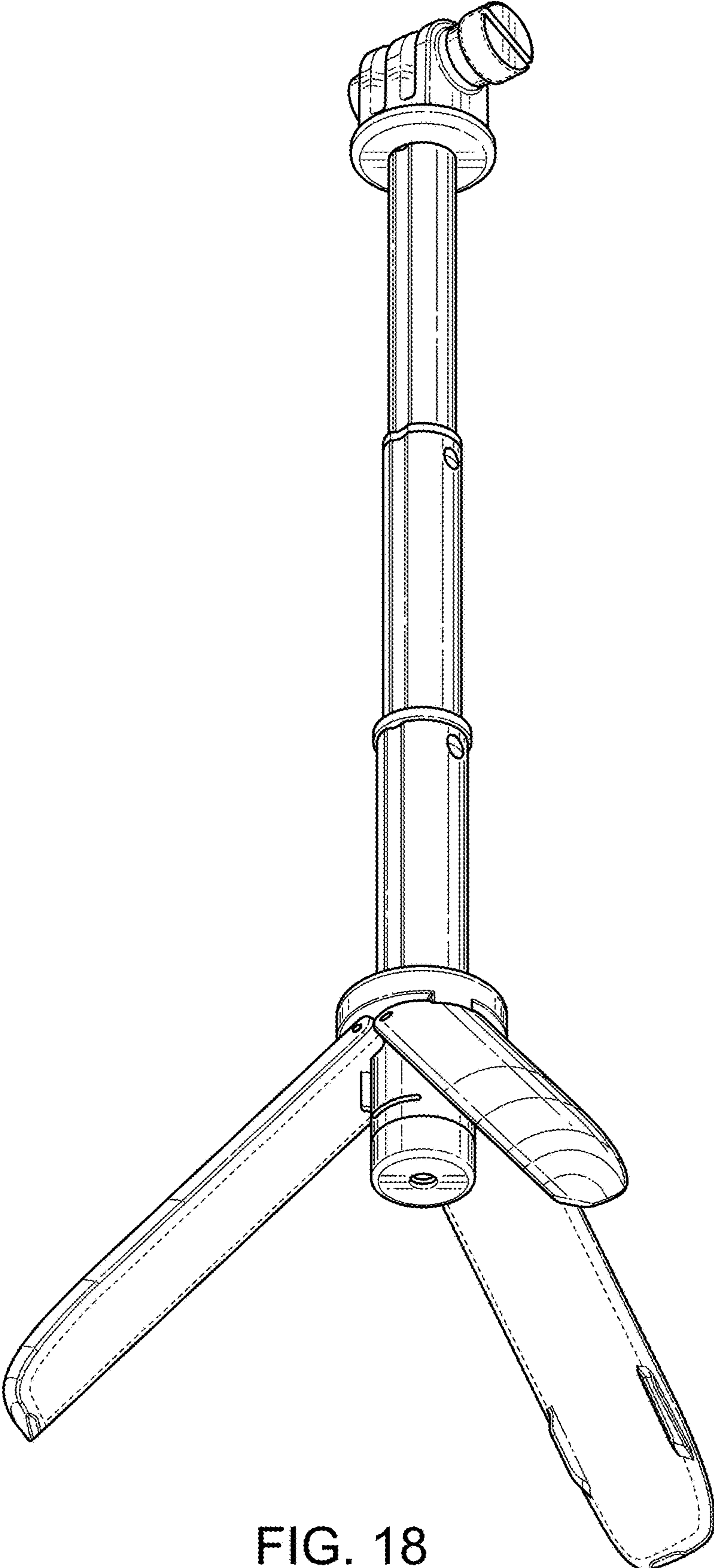


FIG. 18

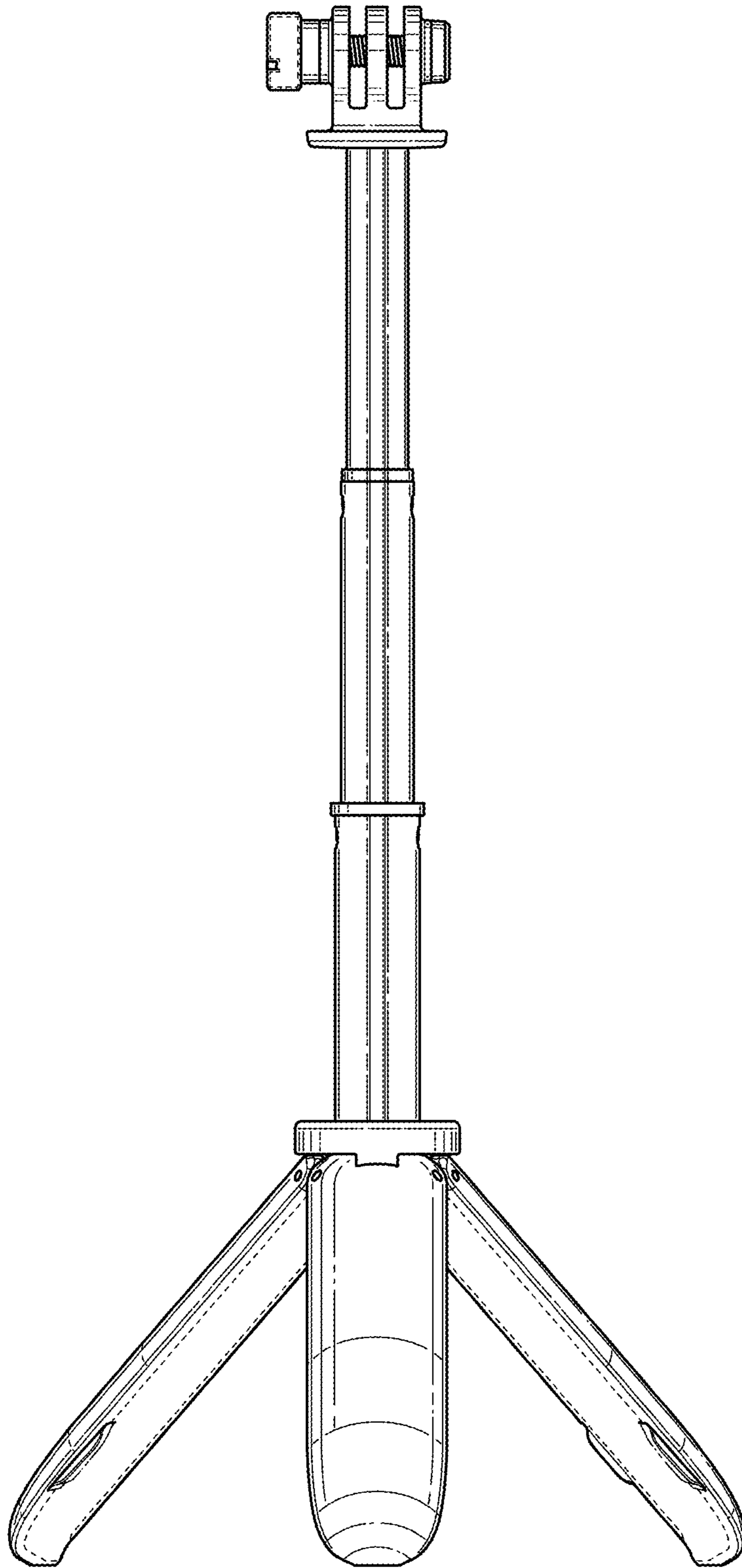


FIG. 19

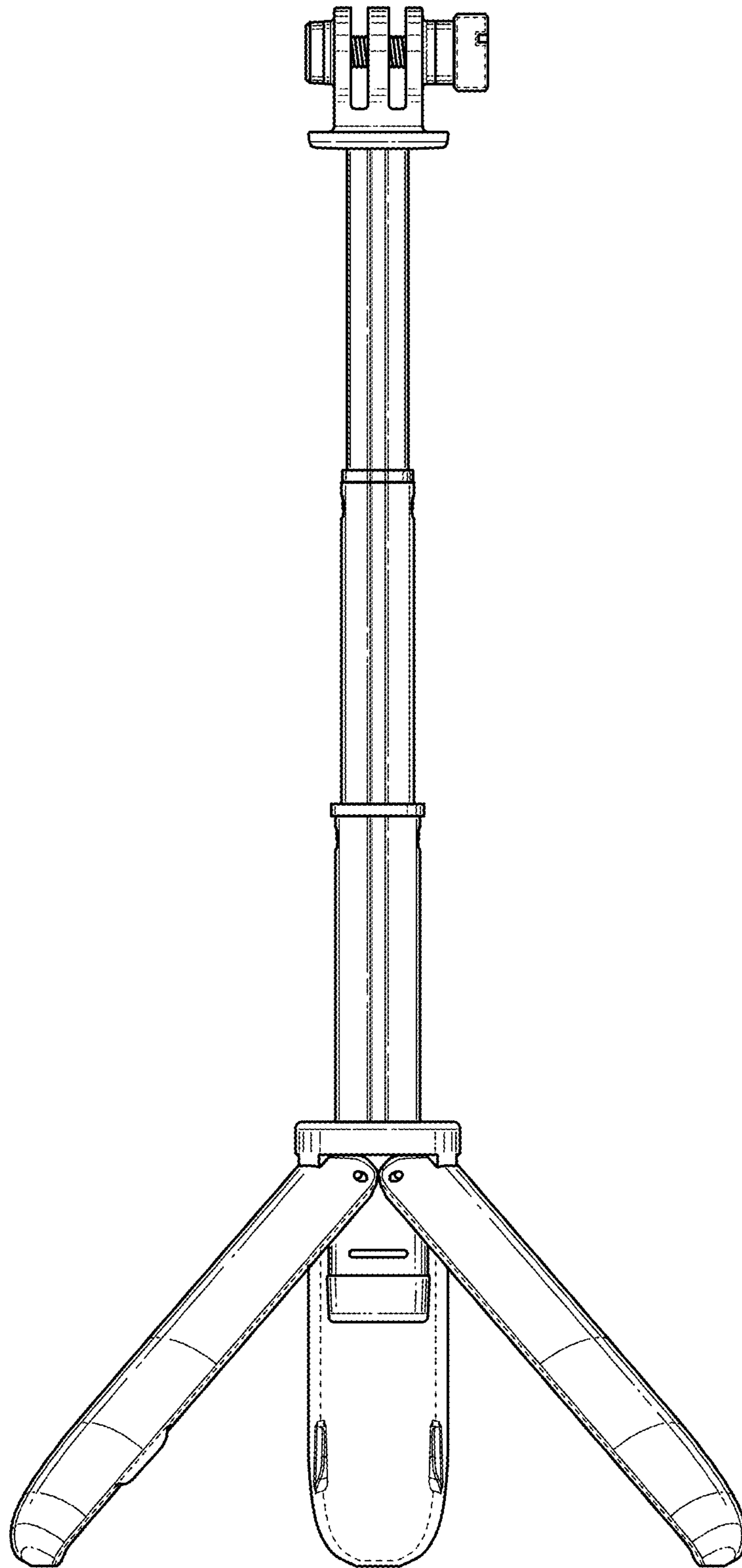


FIG. 20

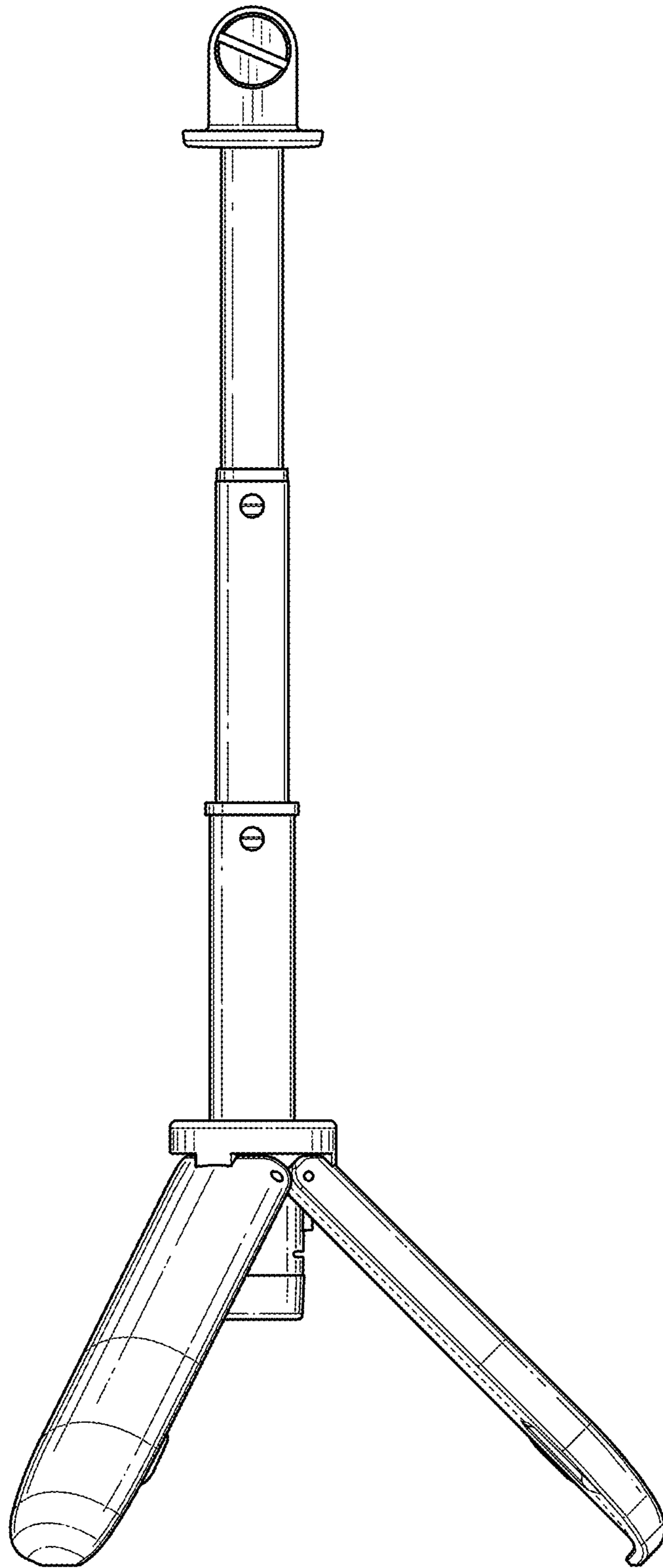


FIG. 21

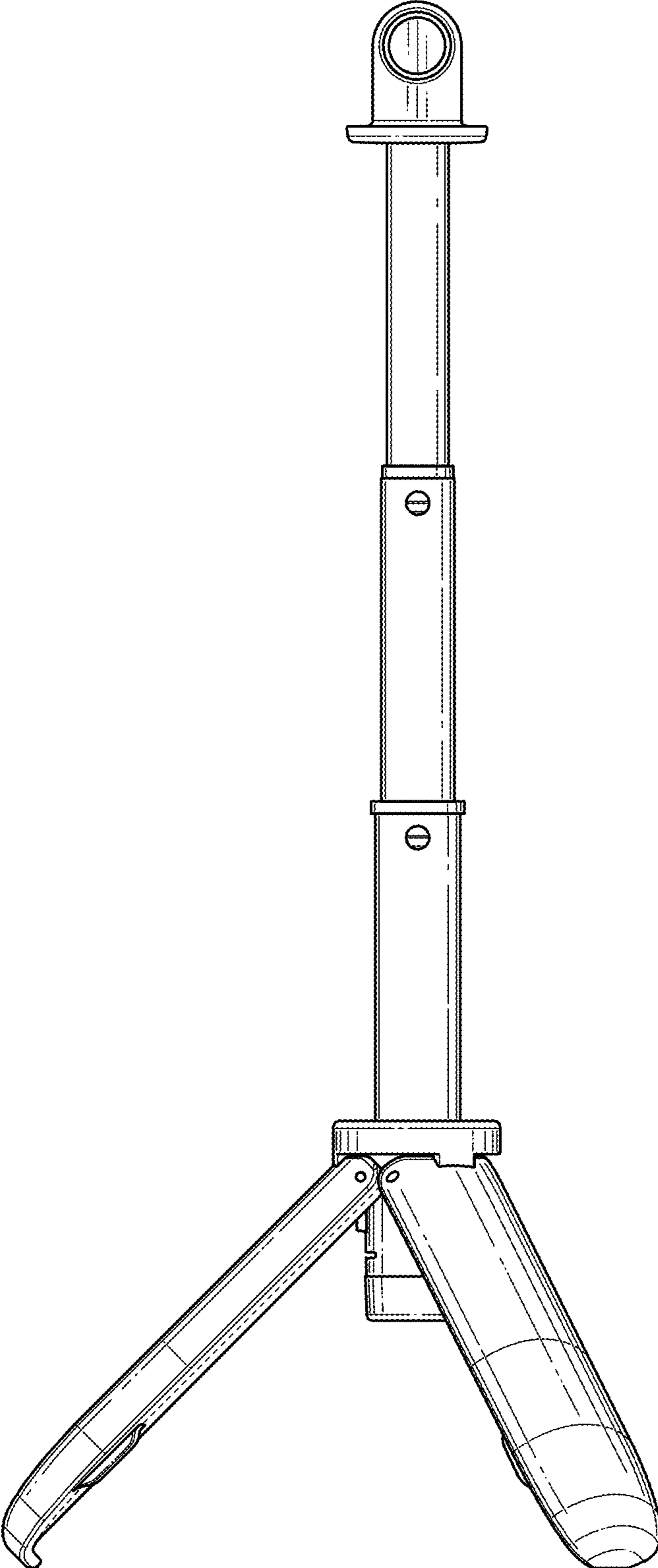


FIG. 22



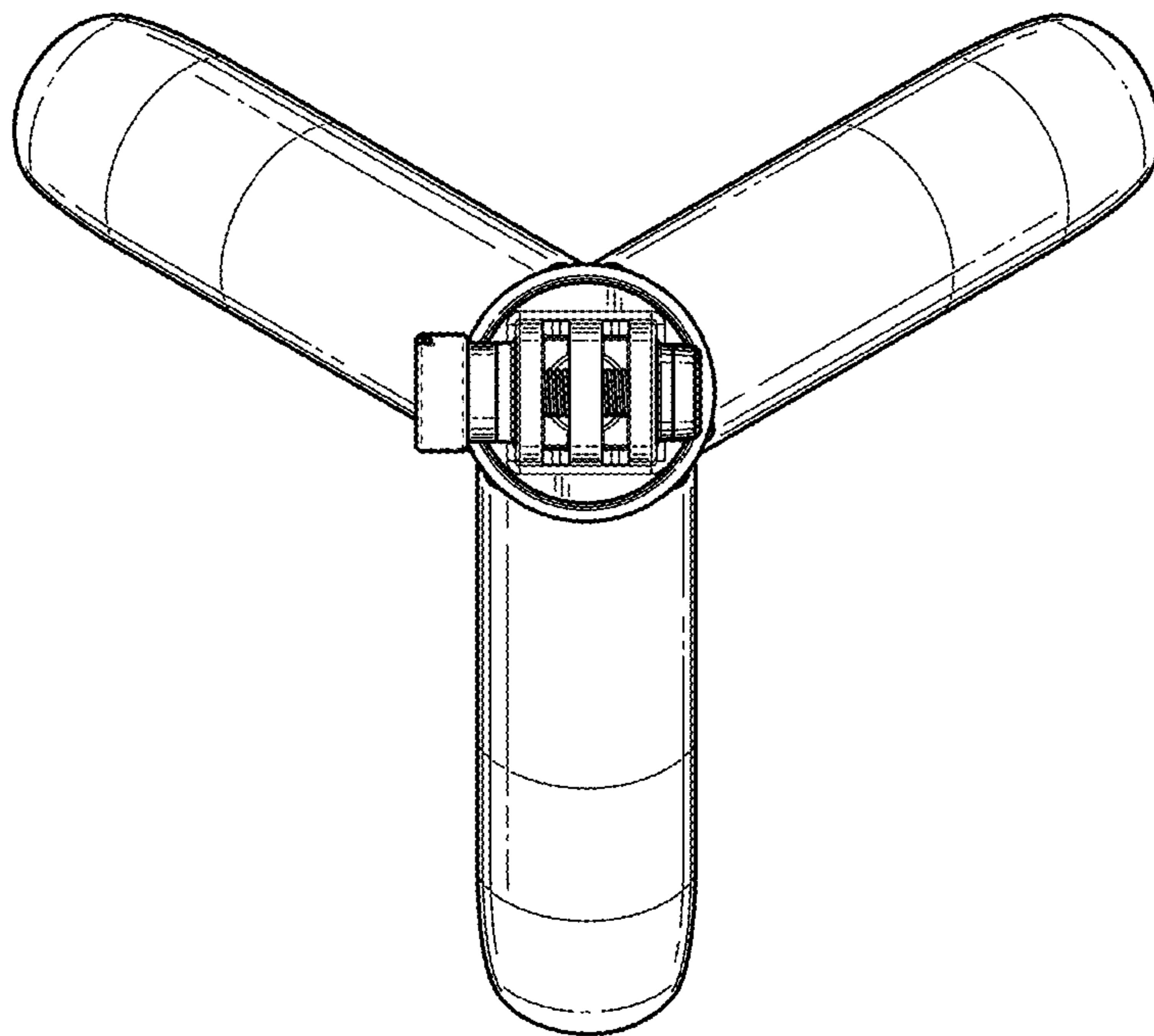


FIG. 23

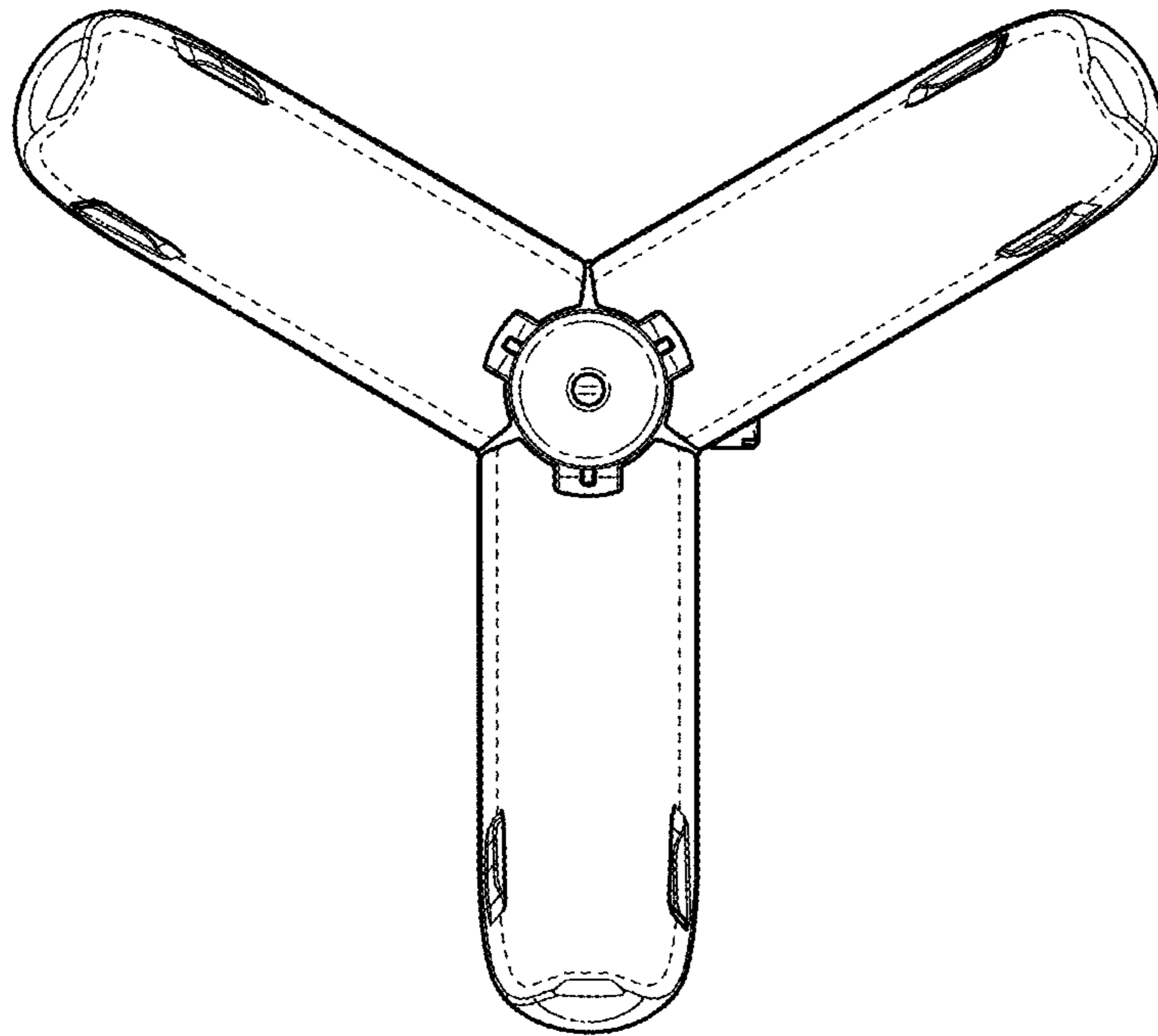


FIG. 24