



US00D822091S

(12) **United States Design Patent**
Zheng et al.

(10) **Patent No.:** **US D822,091 S**
(45) **Date of Patent:** **** Jul. 3, 2018**

(54) **MOUNT FOR CONTROLLER OR THE LIKE**

(71) Applicant: **SZ DJI Osmo Technology Co., Ltd.**,
Shenzhen (CN)

(72) Inventors: **Haibin Zheng**, Shenzhen (CN); **Min Kim**, Shenzhen (CN)

(73) Assignee: **SZ DJI Osmo Technology Co., Ltd.**,
Shenzhen (CN)

(**) Term: **15 Years**

(21) Appl. No.: **29/590,666**

(22) Filed: **Jan. 12, 2017**

Related U.S. Application Data

(63) Continuation of application No. 29/561,501, filed on
Apr. 15, 2016, now Pat. No. Des. 798,938.

(51) **LOC (11) Cl.** **16-05**

(52) **U.S. Cl.**
USPC **D16/242**

(58) **Field of Classification Search**
USPC D16/134, 136, 210–219, 235, 237–245,
D16/250; D14/217, 229, 250–253
CPC G03B 17/02; G03B 17/04; G03B 17/14;
G03B 17/56; G03B 17/561–17/568;
G03B 7/00–7/002; G03B 7/02–7/04;
G03B 7/14; G03B 21/20–21/2066; F16M
11/02; F16M 11/04; F16M 11/20; F16M
11/40
See application file for complete search history.

(56) **References Cited**

U.S. PATENT DOCUMENTS

D382,287 S * 8/1997 Palmer D16/237
D391,217 S * 2/1998 Pingel D12/114
D391,335 S * 2/1998 Bechtel D22/108
D600,312 S * 9/2009 Swan D22/109
D623,682 S 9/2010 Volpato

D638,089 S 5/2011 Ding
D652,779 S * 1/2012 Richter D12/223
D685,052 S 6/2013 Mok
D691,237 S 10/2013 Beckett et al.
D693,423 S 11/2013 Beckett et al.
D698,000 S * 1/2014 Beckett D22/109
D717,856 S 11/2014 Slawson et al.
D755,342 S 5/2016 Ding et al.
D757,147 S 5/2016 Edwards et al.
D764,567 S 8/2016 Bennett et al.
D772,970 S 11/2016 Balmer
(Continued)

OTHER PUBLICATIONS

DJI Focus. Online, published date unknown. Retrieved on Aug. 28,
2017 from URL: <http://www.dji.com/focus>.*

(Continued)

Primary Examiner — Karen S Acker
Assistant Examiner — Omeed Agilee
(74) *Attorney, Agent, or Firm* — Sterne, Kessler,
Goldstein & Fox P.L.L.C.

(57) **CLAIM**

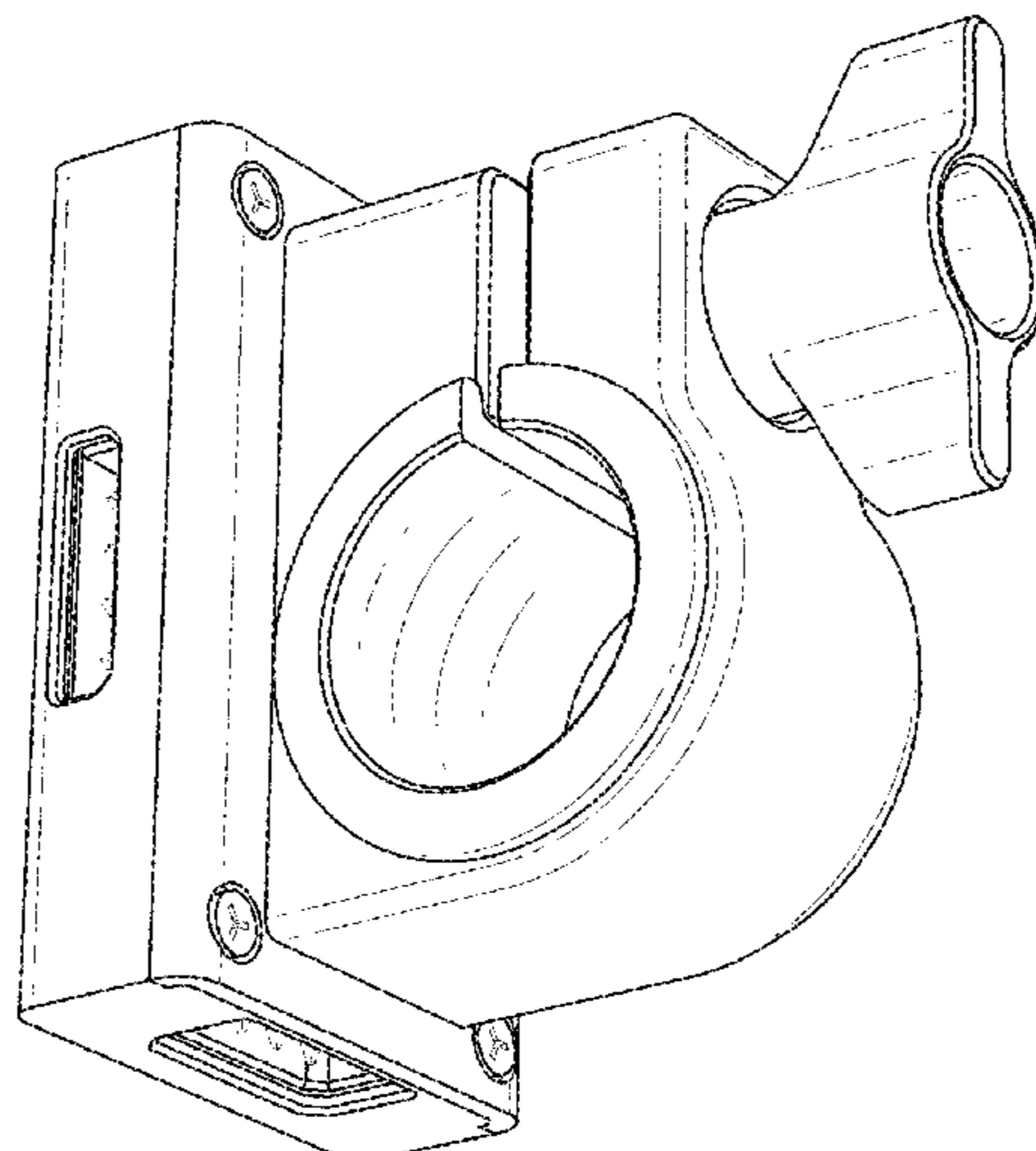
The ornamental design for a mount for controller or the like,
as shown and described.

DESCRIPTION

FIG. 1 is a top front perspective view of a mount for
controller or the like showing the claimed design;
FIG. 2 is a bottom rear perspective view thereof;
FIG. 3 is a top view thereof;
FIG. 4 is a bottom view thereof;
FIG. 5 is a left side view thereof;
FIG. 6 is a right side view thereof;
FIG. 7 is a front view thereof; and,
FIG. 8 is a rear view thereof.

The broken lines in the figures show portions of the mount
for controller or the like that form no part of the claimed
design.

1 Claim, 4 Drawing Sheets



(56)

References Cited

U.S. PATENT DOCUMENTS

D777,289 S 1/2017 Cheng et al.
D780,826 S * 3/2017 Yan D16/242
9,678,300 B2* 6/2017 Nguyen G02B 7/004

OTHER PUBLICATIONS

DJI Focus. 1 page. [online] Published date unknown. Retrieved on Mar. 22, 2017 from <URL: <http://www.dji.com/focus>>.
Wireless Thumb Controller for Ronin-M & Ronin-MX. [online]. Retrieved on Apr. 10, 2017 from URL: <<http://store.dji.com/product/wireless-thumb-controller-for-ronin-m>>.

* cited by examiner

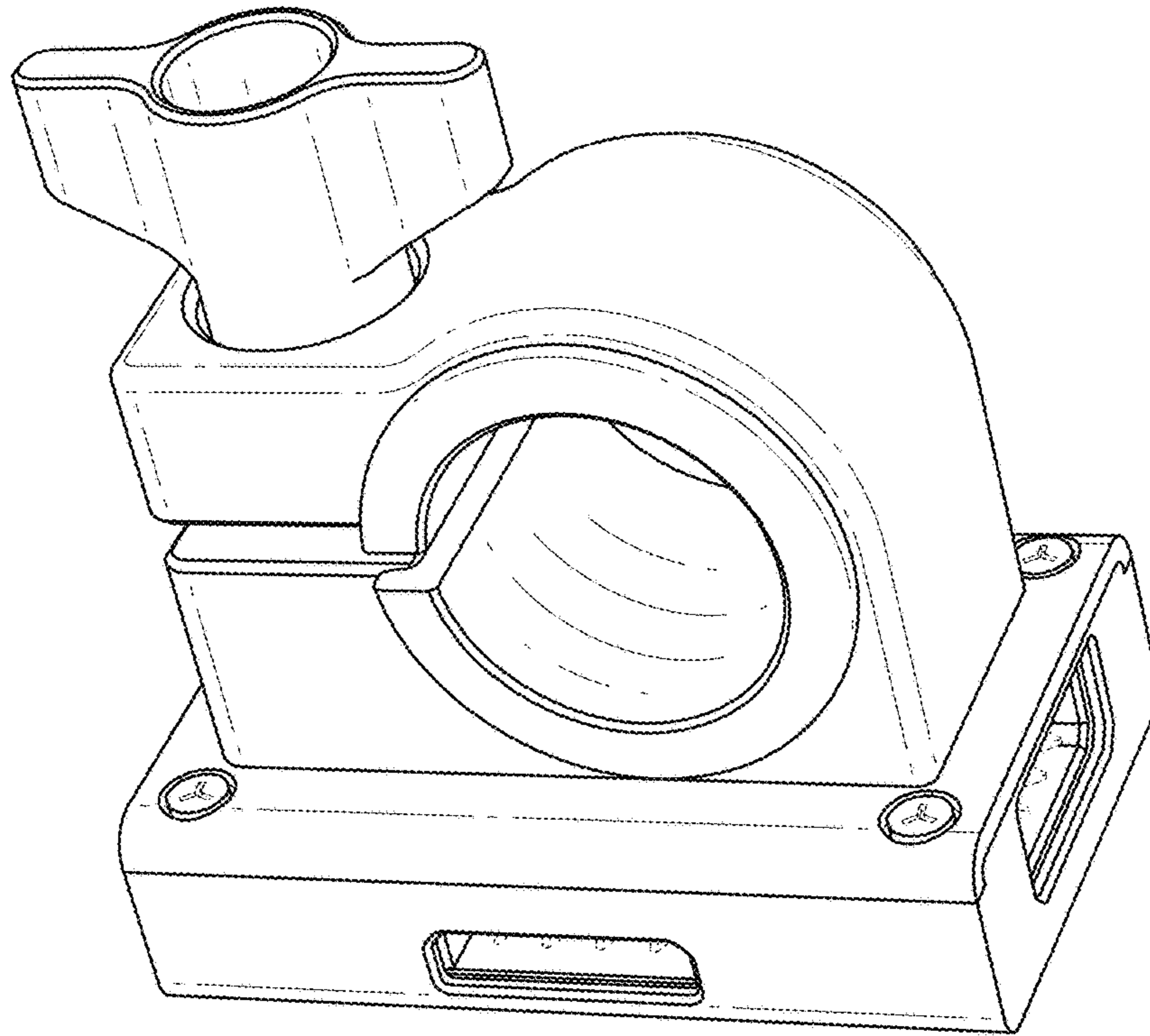


FIG. 2

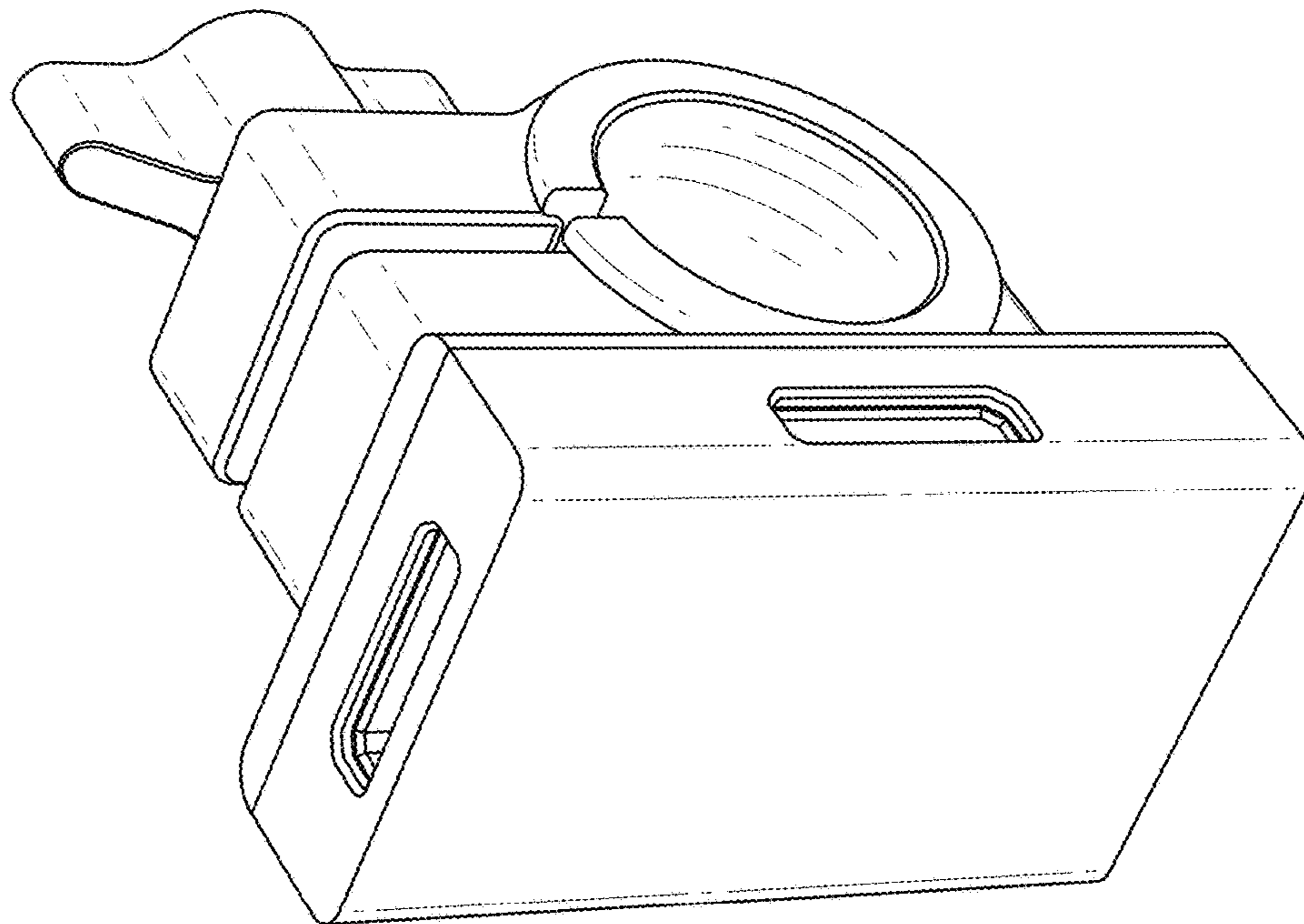


FIG. 1

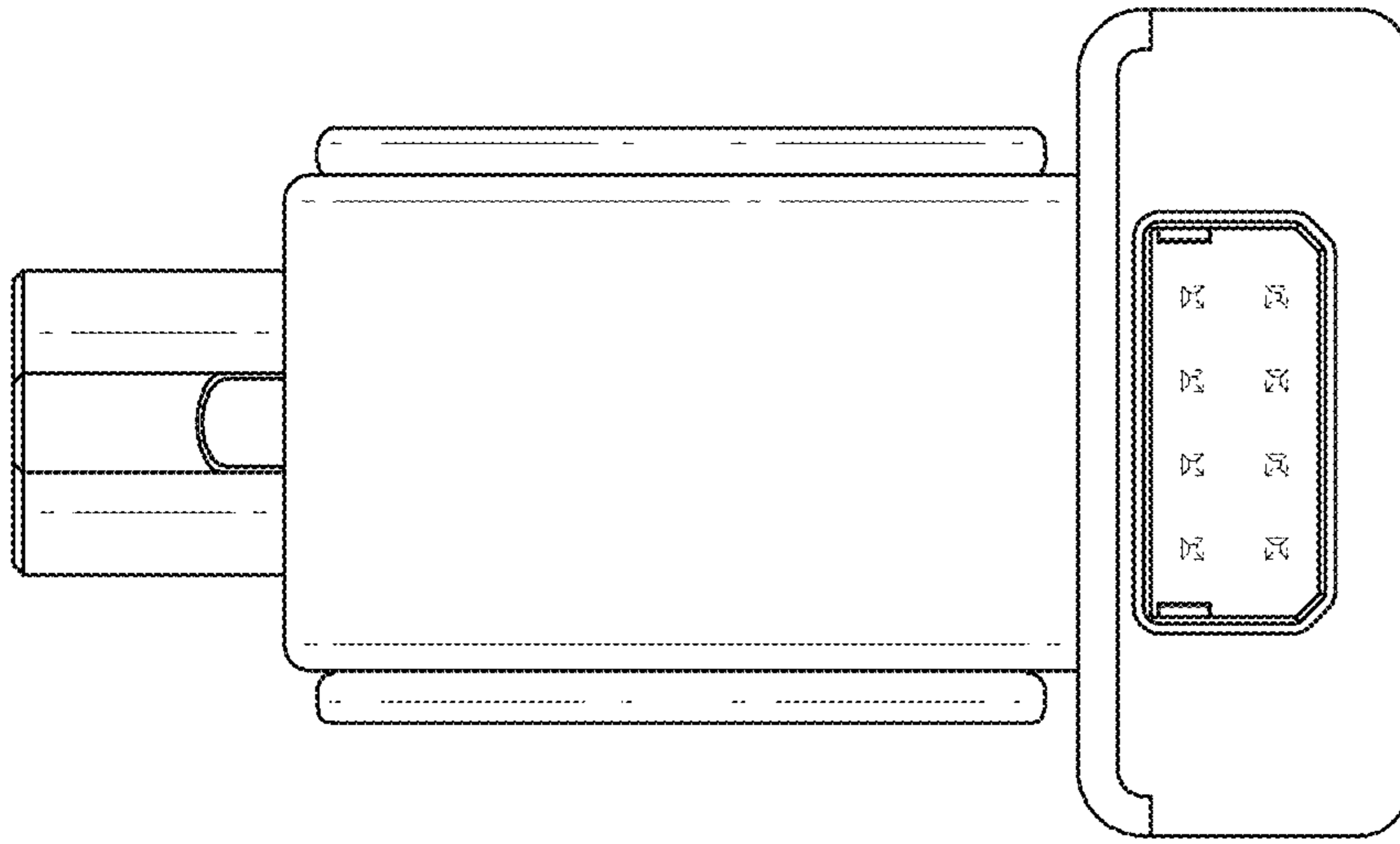


FIG. 4

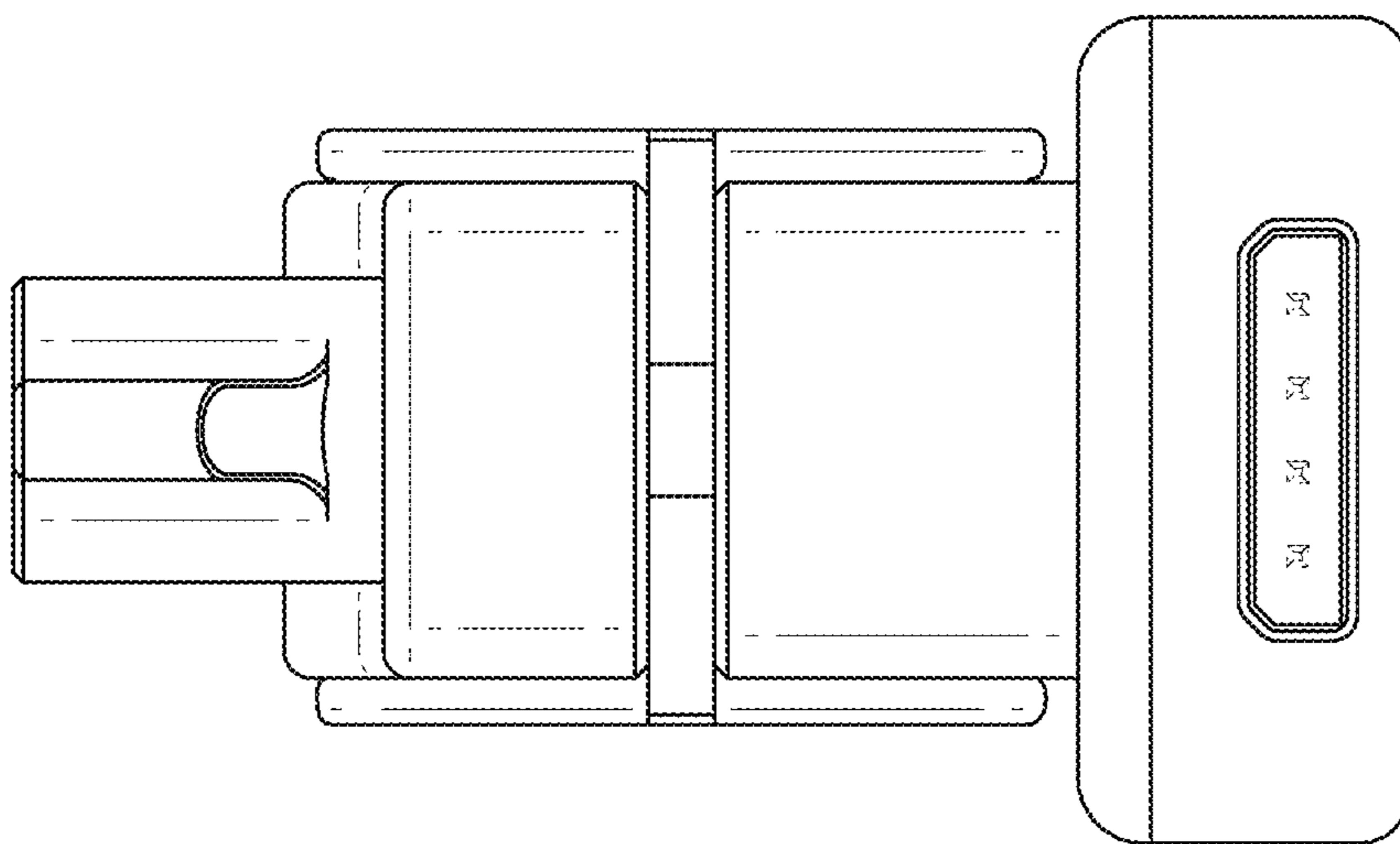


FIG. 3

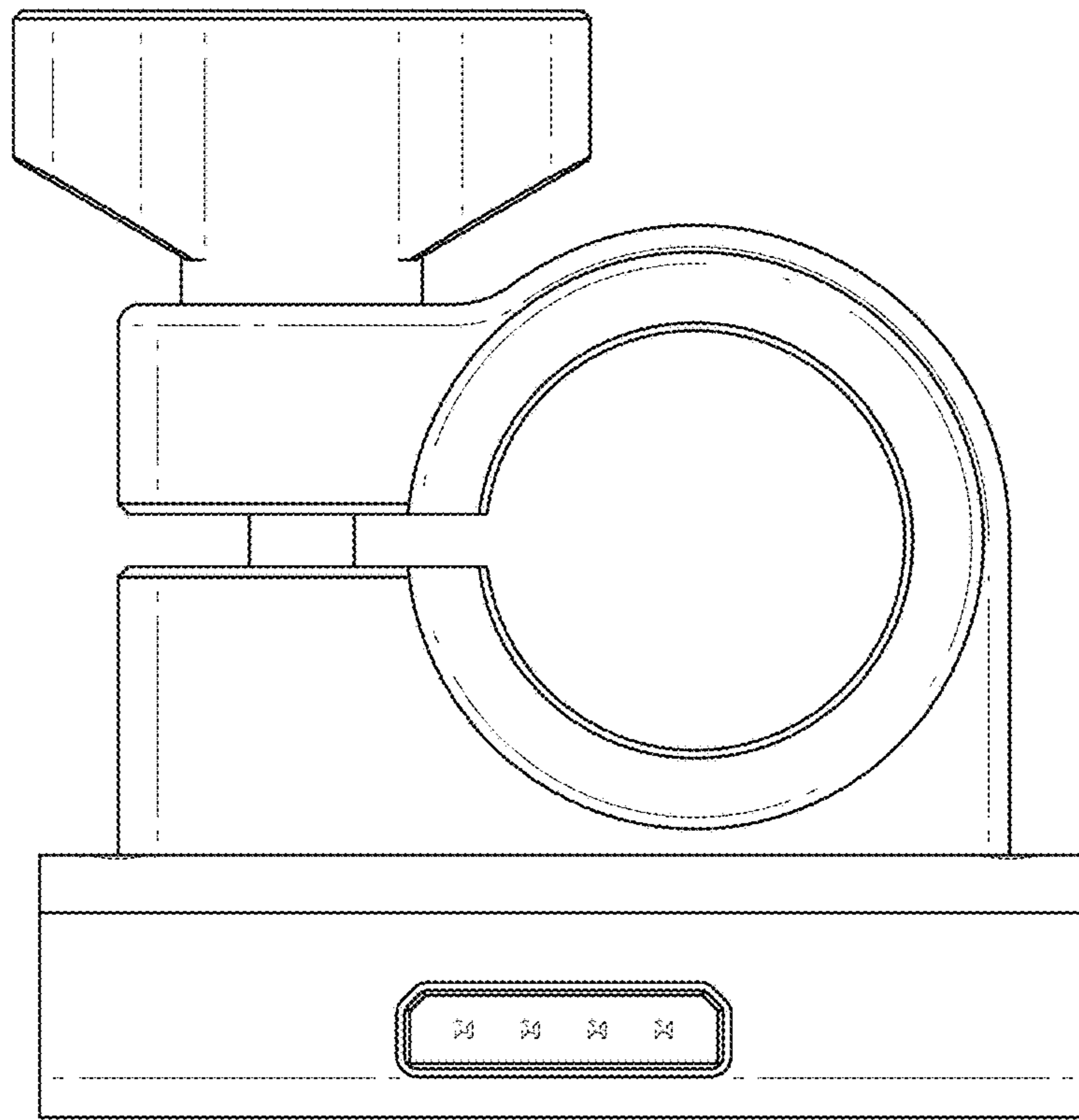


FIG. 6

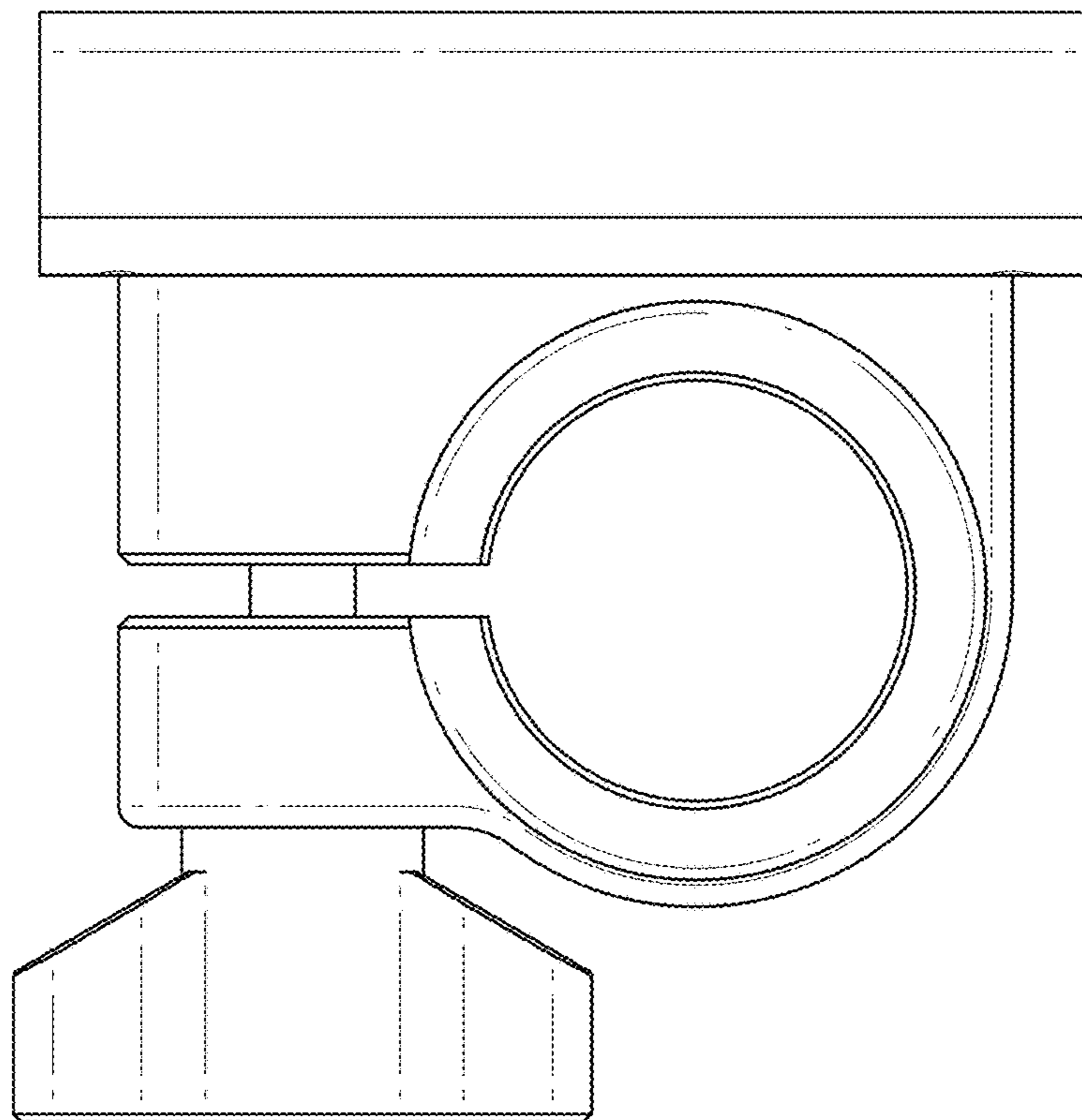


FIG. 5

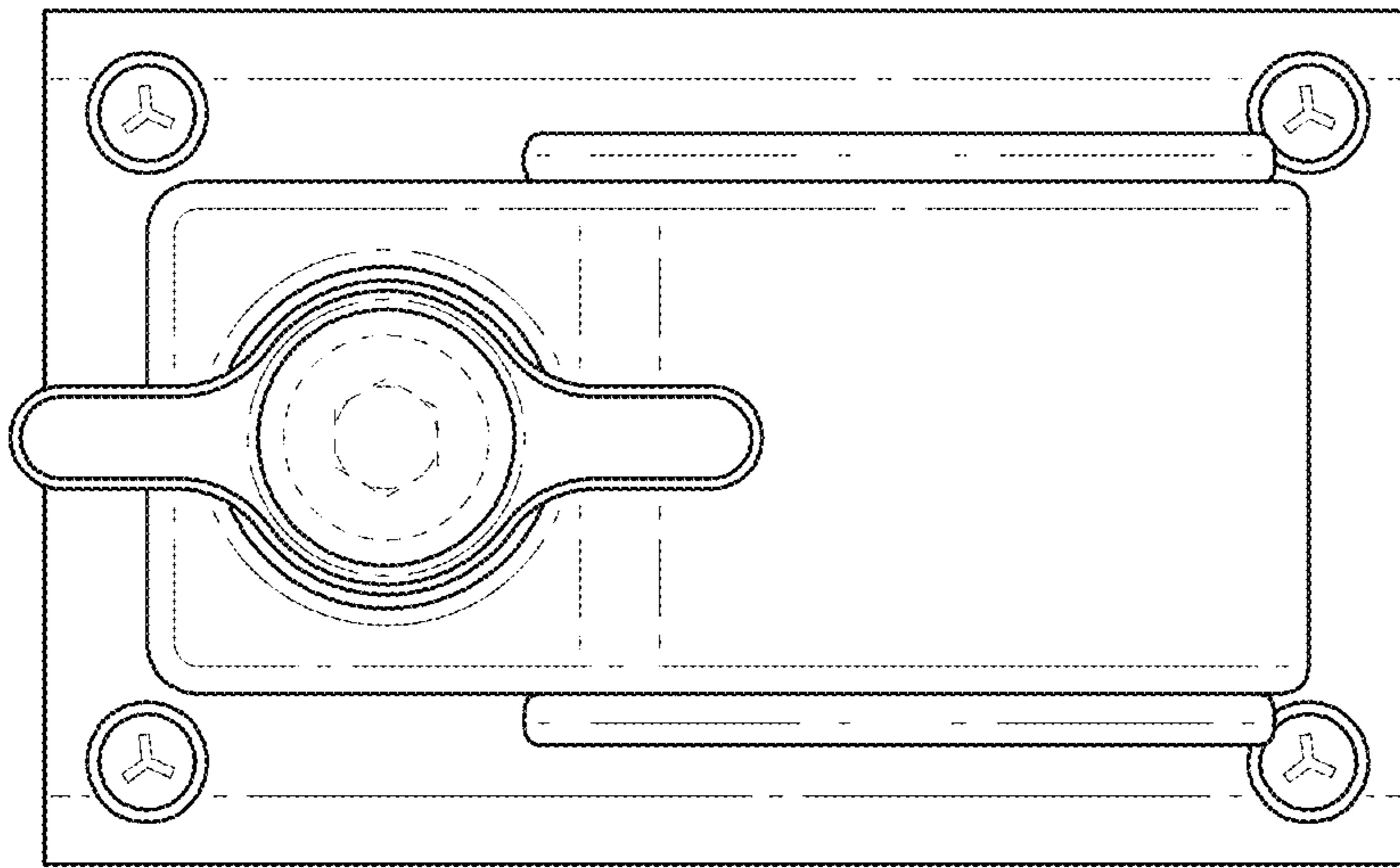


FIG. 8

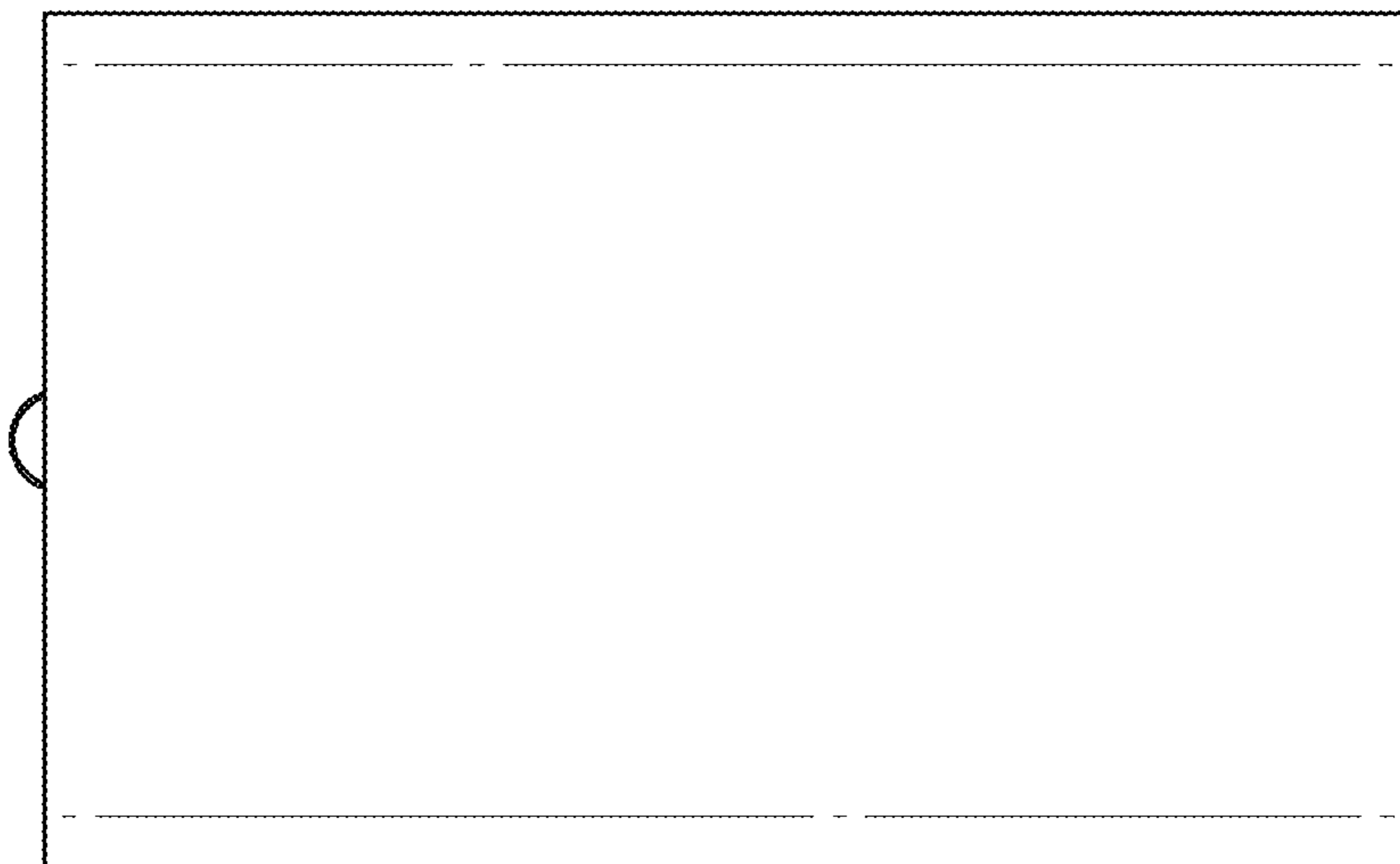


FIG. 7