



US00D822089S

(12) **United States Design Patent** (10) **Patent No.:** **US D822,089 S**
Park (45) **Date of Patent:** **** Jul. 3, 2018**

(54) **SURVEILLANCE CAMERA**
(71) Applicant: **HANWHA TECHWIN CO., LTD.**,
Changwon-si (KR)
(72) Inventor: **Ho Jin Park**, Changwon-si (KR)
(73) Assignee: **HANWHA TECHWIN CO., LTD.**,
Changwon-si (KR)
(**) Term: **15 Years**

D729,859 S * 5/2015 Shin D16/203
D734,801 S * 7/2015 Yang D16/202
D742,954 S * 11/2015 Simonelli D16/203
D743,465 S * 11/2015 Aglassinger D16/203
D743,475 S * 11/2015 Cover D16/203
D748,179 S 1/2016 Scalisi
D748,180 S * 1/2016 Scalisi D16/203
D748,709 S 2/2016 Jeong
D761,340 S * 7/2016 Pacurariu D16/202
D776,180 S * 1/2017 Fiedler D16/202
D795,947 S * 8/2017 Chong D16/202
D796,569 S * 9/2017 Chang D16/218

(Continued)

(21) Appl. No.: **29/591,014**

(22) Filed: **Jan. 16, 2017**

(30) **Foreign Application Priority Data**

Jul. 18, 2016 (KR) 30-2016-0034997

(51) **LOC (11) Cl.** **16-01**

(52) **U.S. Cl.**
USPC **D16/203**

(58) **Field of Classification Search**
USPC D16/200, 202-206, 218, 219, 242;
348/143, 148, 151, 373-376; 396/419,
396/427, 535, 539-541
CPC G03B 17/02; G03B 19/04; G03B 17/56;
G03B 17/04; G03B 15/03; H04N 5/2251;
H04N 5/2252; H04N 5/2253; H04N
5/2254; H04N 7/181; H04N 7/183; H04N
7/18; G08B 13/1963; G08B 13/19619;
G08B 13/19632; F16M 11/04; F16M
13/00
See application file for complete search history.

(56) **References Cited**

U.S. PATENT DOCUMENTS

D364,632 S * 11/1995 Nakashima D16/202
D422,521 S 4/2000 Morrow
D518,080 S 3/2006 Uehara
D679,309 S * 4/2013 Park D16/218

OTHER PUBLICATIONS

Non Final Office Action dated Oct. 24, 2017, In Design U.S. Appl. No. 29/591,011.

(Continued)

Primary Examiner — Philip S Hyder
Assistant Examiner — Ramzi Almatrahi
(74) *Attorney, Agent, or Firm* — H.C. Park & Associates, PLC

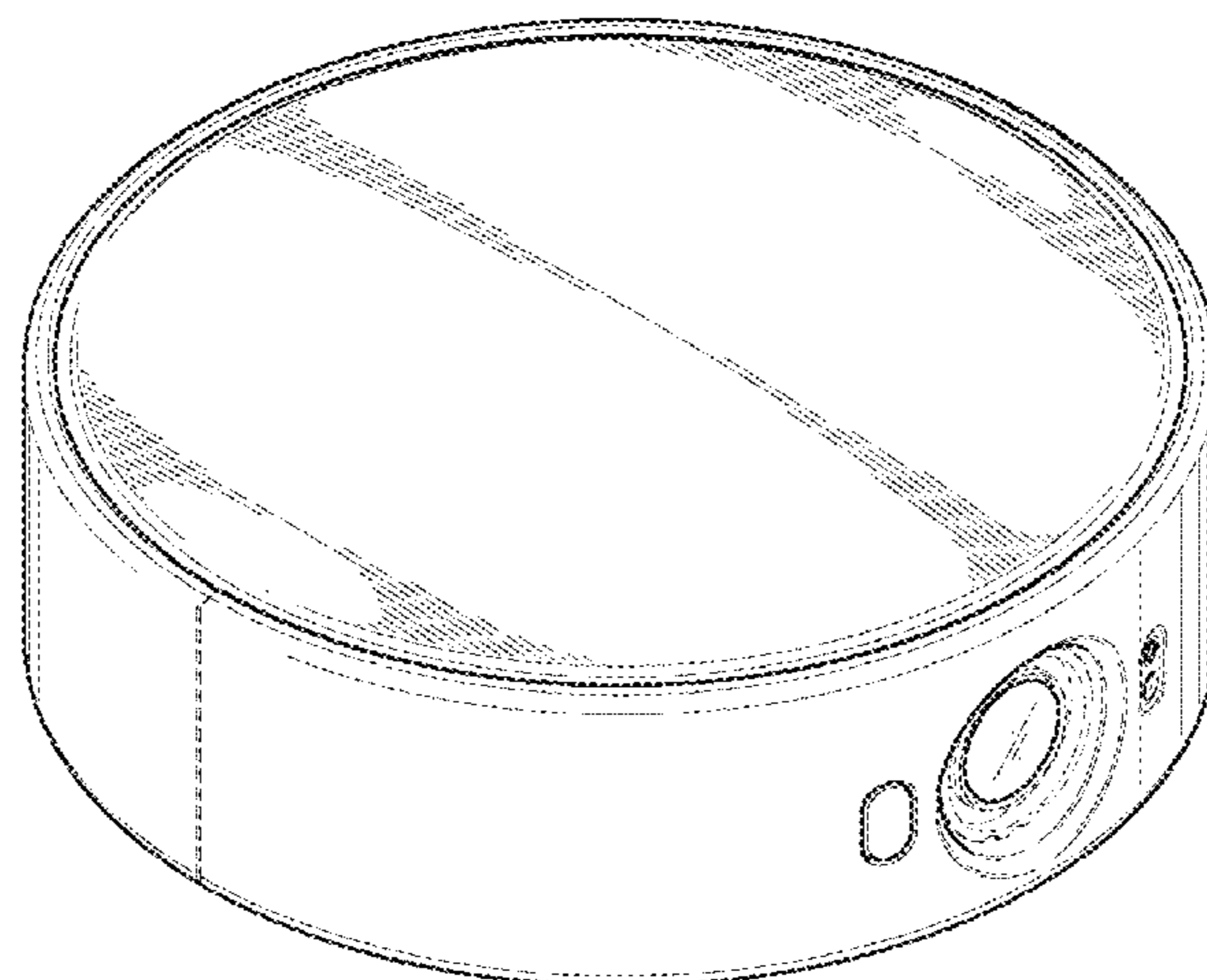
(57) **CLAIM**

The ornamental design for a surveillance camera, as shown and described.

DESCRIPTION

FIG. 1 is a front perspective view of a surveillance camera; FIG. 2 is a front view thereof; FIG. 3 is a rear view thereof; FIG. 4 is a left side view thereof; FIG. 5 is a right side view thereof; FIG. 6 is a top view thereof; and, FIG. 7 is a bottom view thereof. The broken lines depict portions of the surveillance camera in which the design is embodied that form no part of the claimed design.

1 Claim, 5 Drawing Sheets



(56)

References Cited

U.S. PATENT DOCUMENTS

2014/0301729 A1* 10/2014 Okamura H04N 5/2252
396/427

OTHER PUBLICATIONS

Ex Parte Quayle Action dated May 16, 2018, in U.S. Appl. No.
29/591,011.

* cited by examiner

FIG. 1

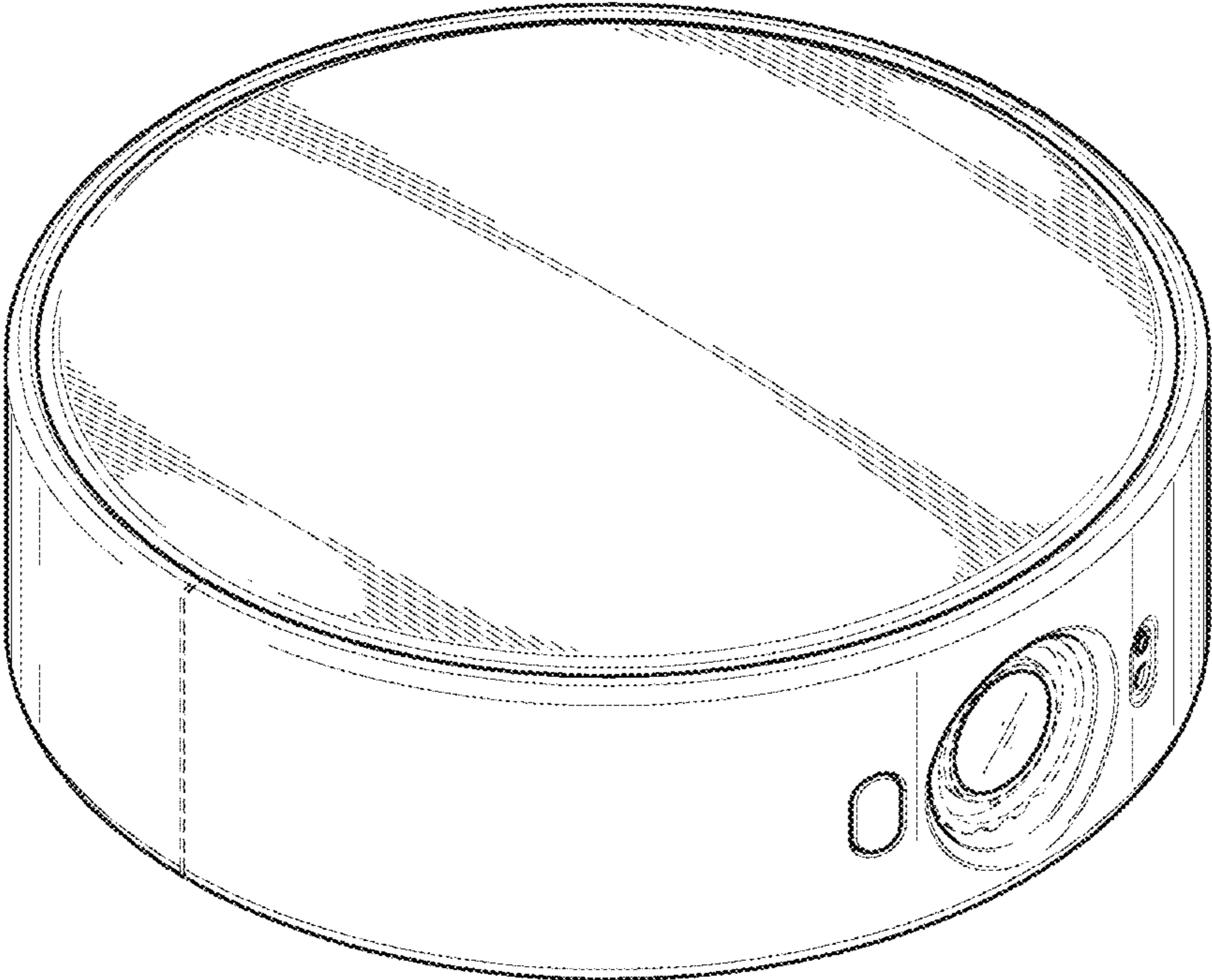


FIG. 2

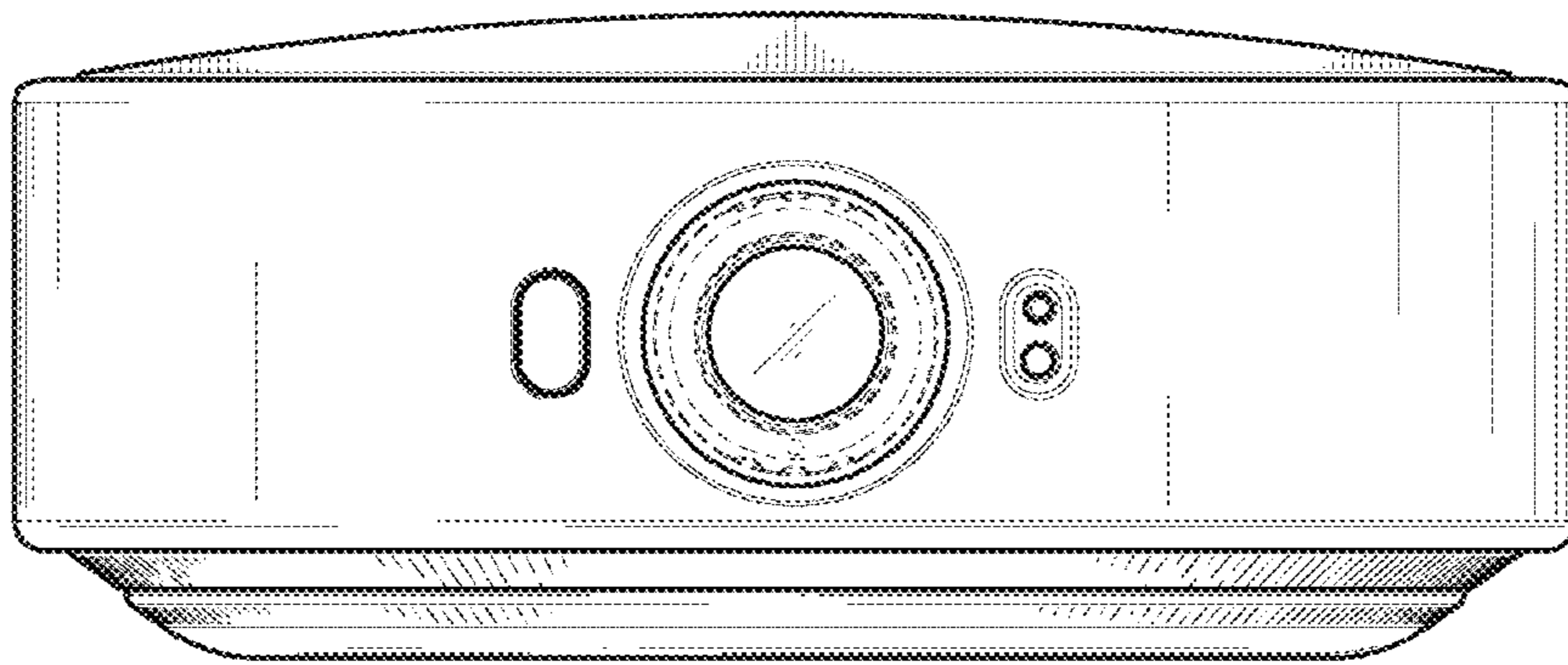


FIG. 3

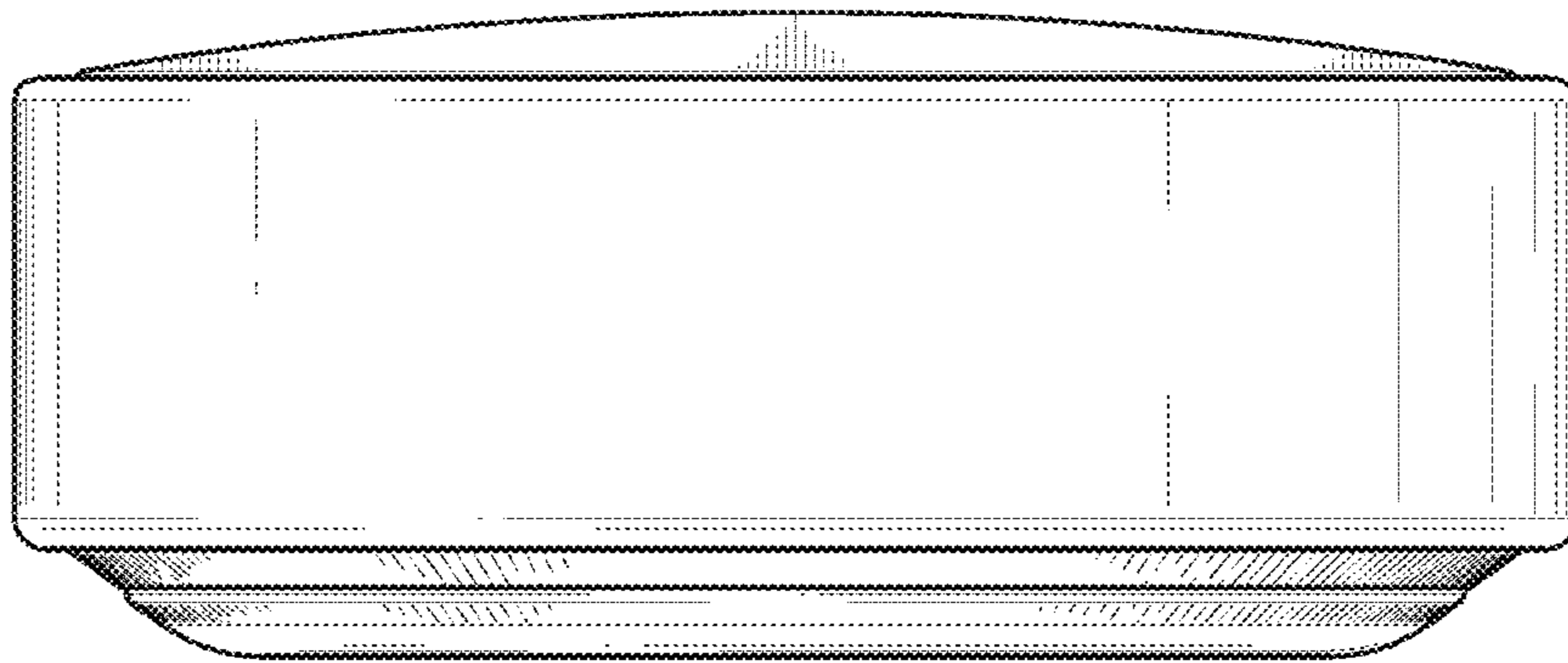


FIG. 4

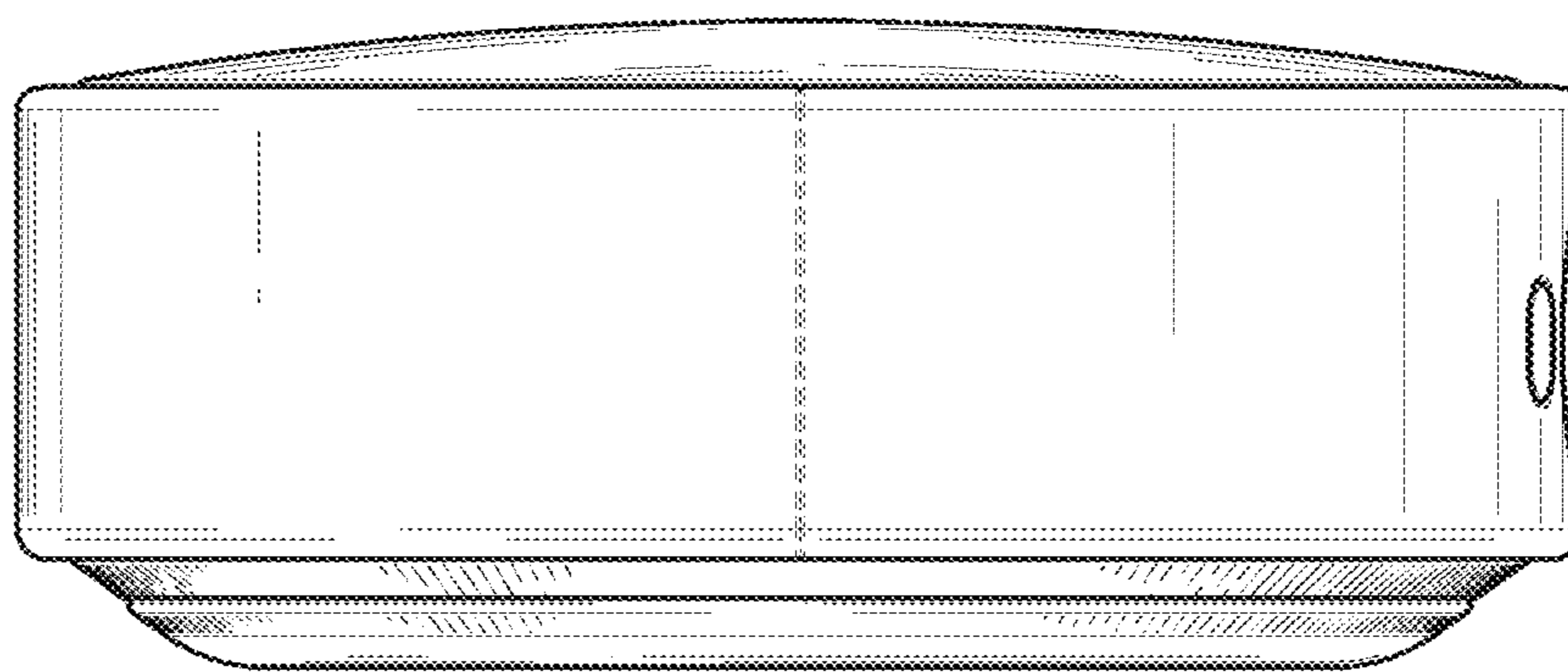


FIG. 5

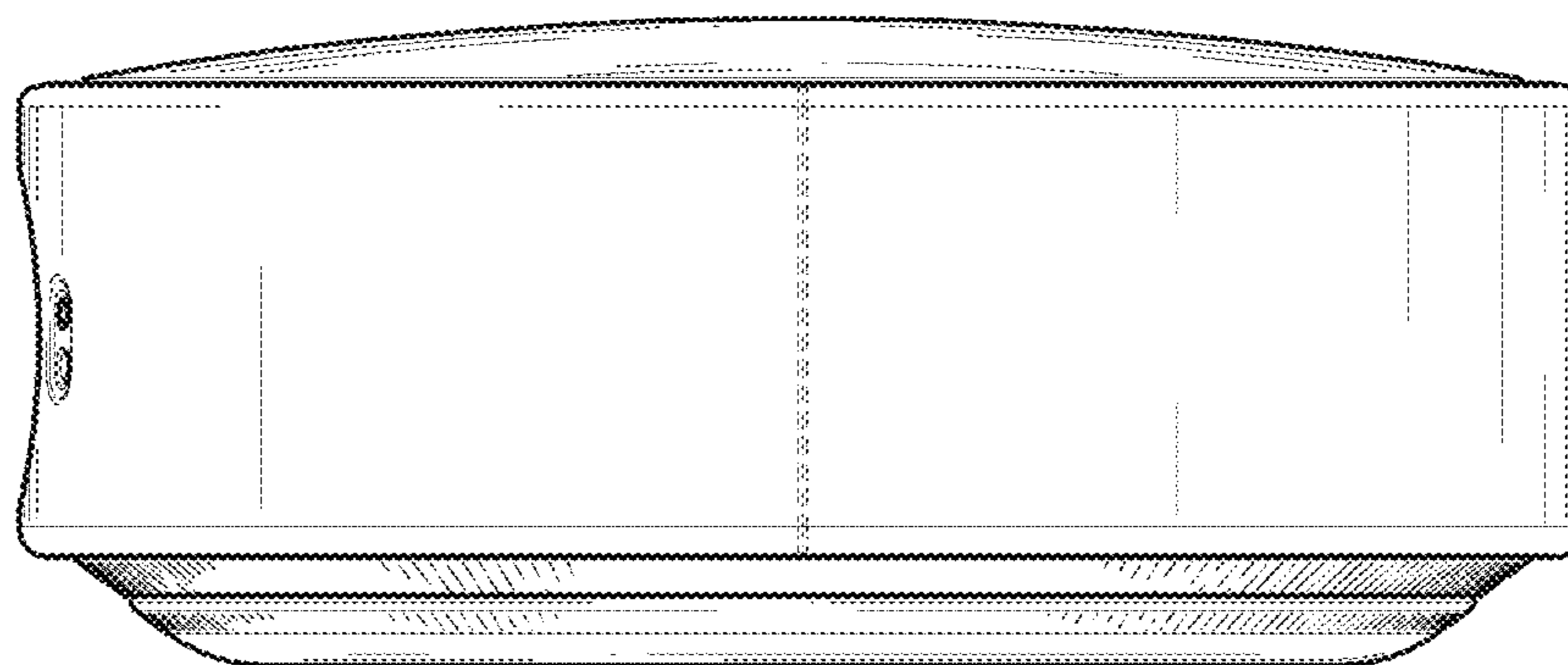


FIG. 6

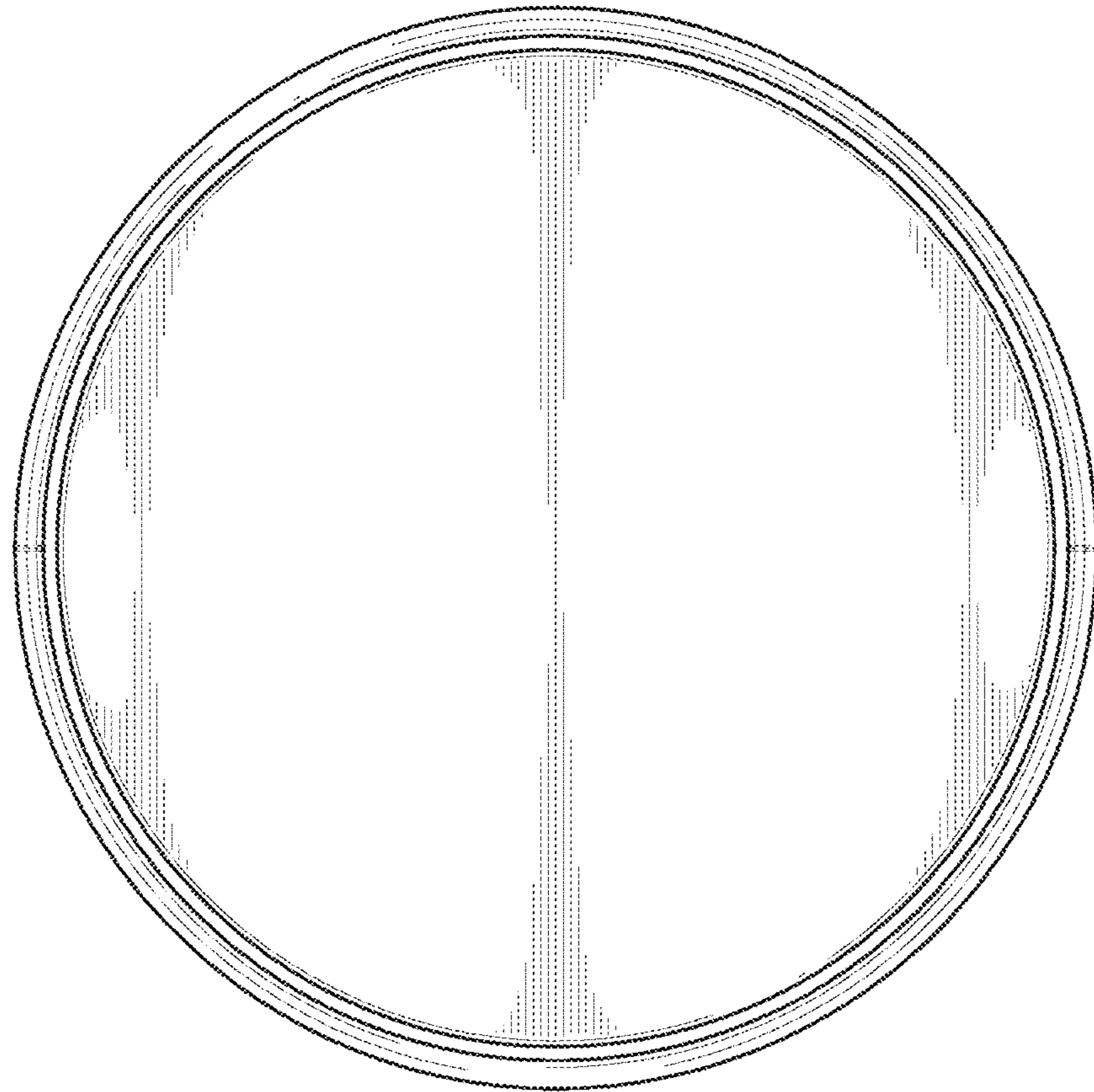


FIG. 7

