



US00D822088S

(12) **United States Design Patent** (10) **Patent No.:** **US D822,088 S**
Park et al. (45) **Date of Patent:** **** Jul. 3, 2018**

(54) **SURVEILLANCE CAMERA**
(71) Applicant: **HANWHA TECHWIN CO., LTD.**,
Changwon-si (KR)
(72) Inventors: **Mun Jun Park**, Changwon-si (KR);
Kwang Seok Jeong, Changwon-si (KR)
(73) Assignee: **HANWHA TECHWIN CO., LTD.**,
Changwon-si (KR)

D639,842 S 6/2011 Zeinoun et al.
D650,410 S * 12/2011 Helaoui D16/203
D688,720 S * 8/2013 Yilin D16/203
D694,305 S * 11/2013 Katori D16/203
D694,306 S * 11/2013 Katori D16/203
D719,994 S * 12/2014 Wang D16/203
D729,859 S * 5/2015 Shin D16/203
D743,465 S * 11/2015 Aglassinger D16/203
D749,660 S * 2/2016 Yu D16/203
D752,674 S * 3/2016 Katori D16/203
2014/0301729 A1* 10/2014 Okamura H04N 5/2252
396/427

(**) Term: **15 Years**

FOREIGN PATENT DOCUMENTS

(21) Appl. No.: **29/585,091**
(22) Filed: **Nov. 21, 2016**

JP 1456017 10/2012
KR 30-0733506 6/2014
KR 30-0756339 12/2014

(30) **Foreign Application Priority Data**

May 20, 2016 (KR) 30-2016-0024226

(51) **LOC (11) Cl.** **16-01**
(52) **U.S. Cl.**
USPC **D16/203**

* cited by examiner

Primary Examiner — Philip S Hyder
Assistant Examiner — Ramzi Almatrahi
(74) *Attorney, Agent, or Firm* — H.C. Park & Associates,
PLC

(58) **Field of Classification Search**
USPC D16/200, 202–206, 218, 219, 242;
348/143, 148, 151, 373–376; 396/419,
396/427, 535, 539–541
CPC G03B 17/02; G03B 19/04; G03B 17/56;
G03B 17/04; G03B 15/03; H04N 5/2251;
H04N 5/2252; H04N 5/2253; H04N
5/2254; H04N 7/181; H04N 7/183; H04N
7/18; G08B 13/1963; G08B 13/19619;
G08B 13/19632; F16M 11/04; F16M
13/00

(57) **CLAIM**

The ornamental design for a surveillance camera, as shown and described.

See application file for complete search history.

DESCRIPTION

FIG. 1 is a front perspective view of a surveillance camera; FIG. 2 is a front view thereof; FIG. 3 is a rear view thereof; FIG. 4 is a left side view thereof; FIG. 5 is a right side view thereof; FIG. 6 is a top view thereof; and, FIG. 7 is a bottom view thereof. The broken lines depict portions of the surveillance camera in which the design is embodied that form no part of the claimed design.

(56) **References Cited**

U.S. PATENT DOCUMENTS

D499,125 S * 11/2004 Adachi D16/203
D552,501 S * 10/2007 Lin D10/104.1
D610,183 S * 2/2010 Nohavec D16/203

1 Claim, 6 Drawing Sheets

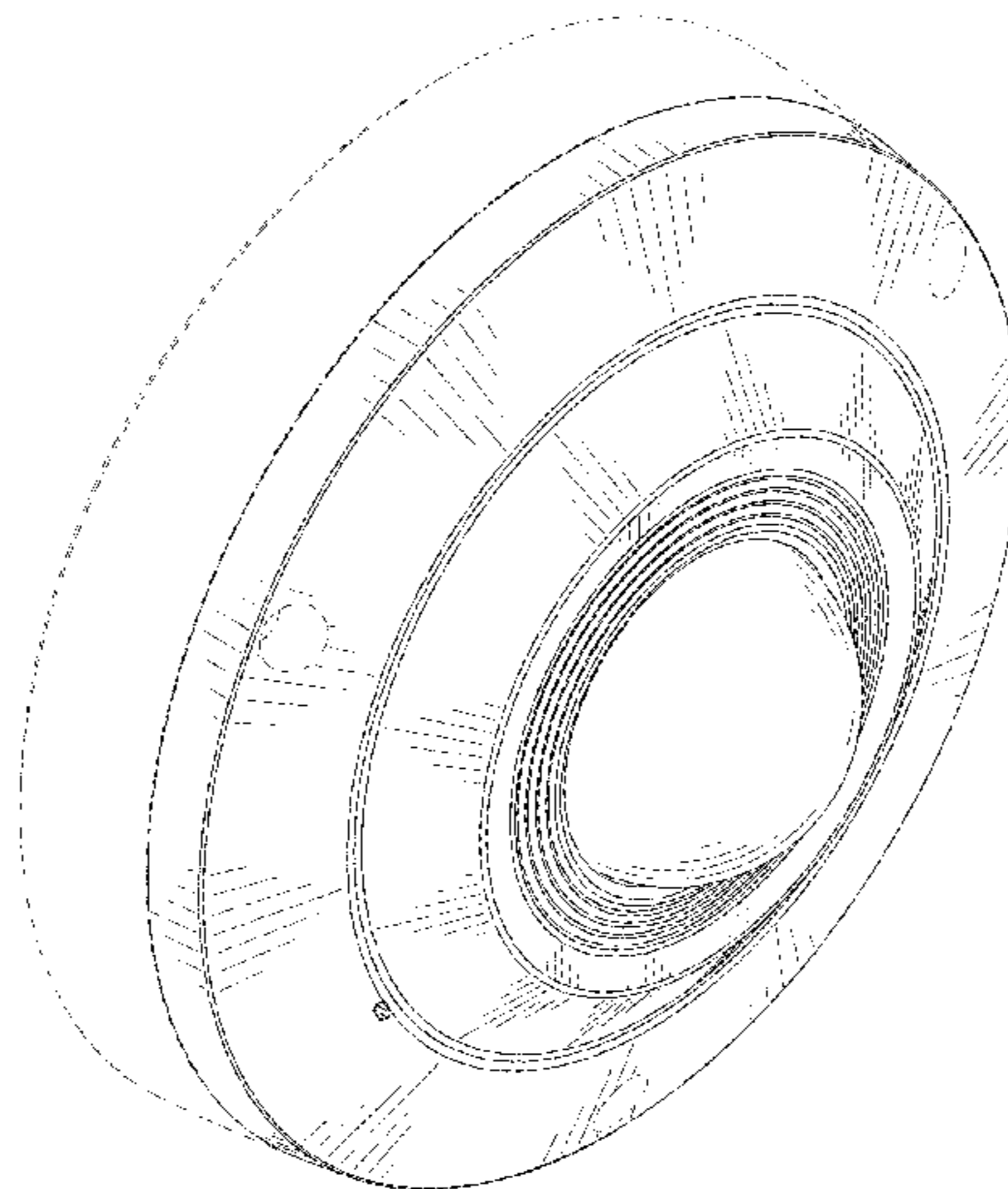


FIG. 1

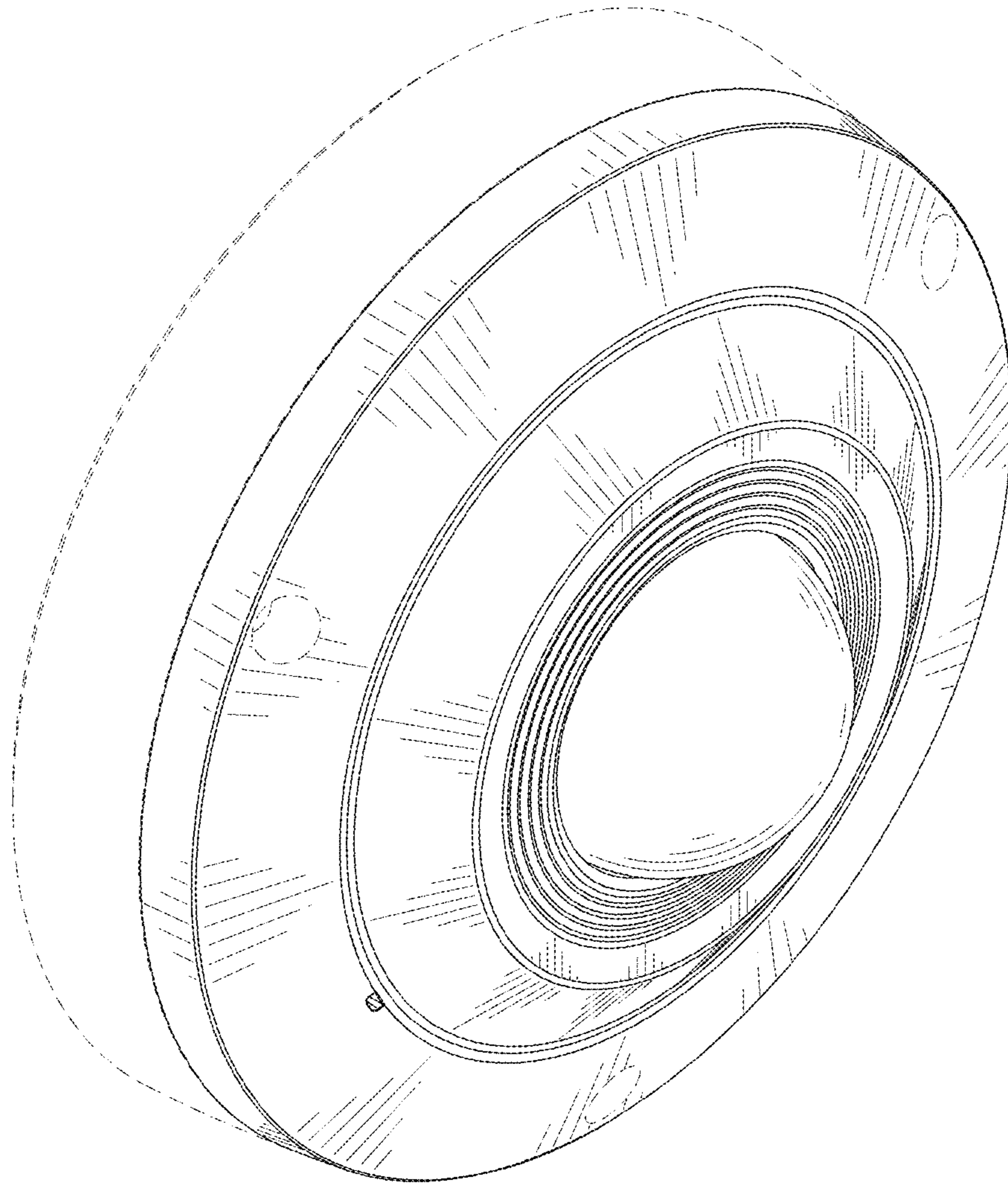


FIG. 2

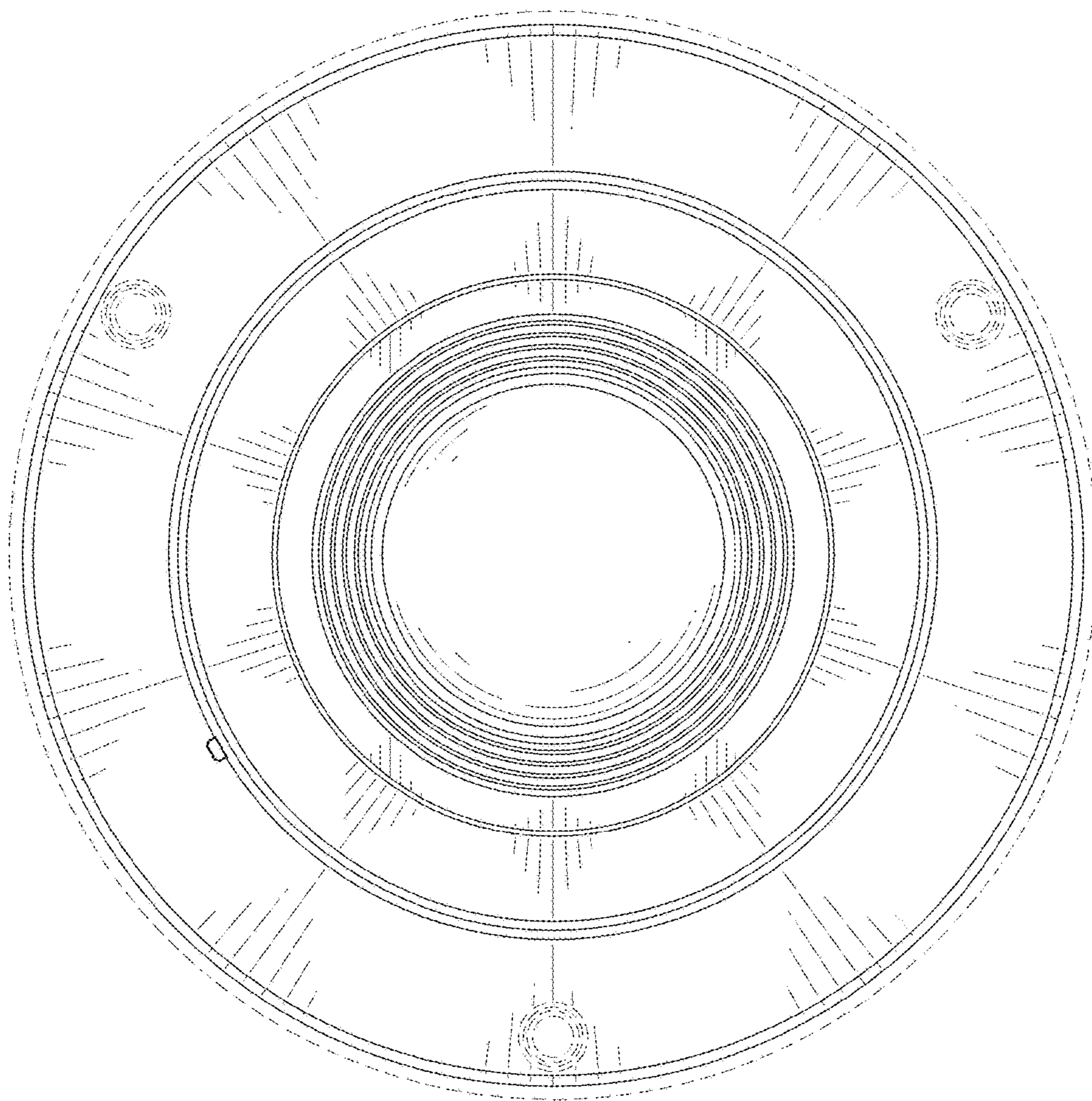


FIG. 3

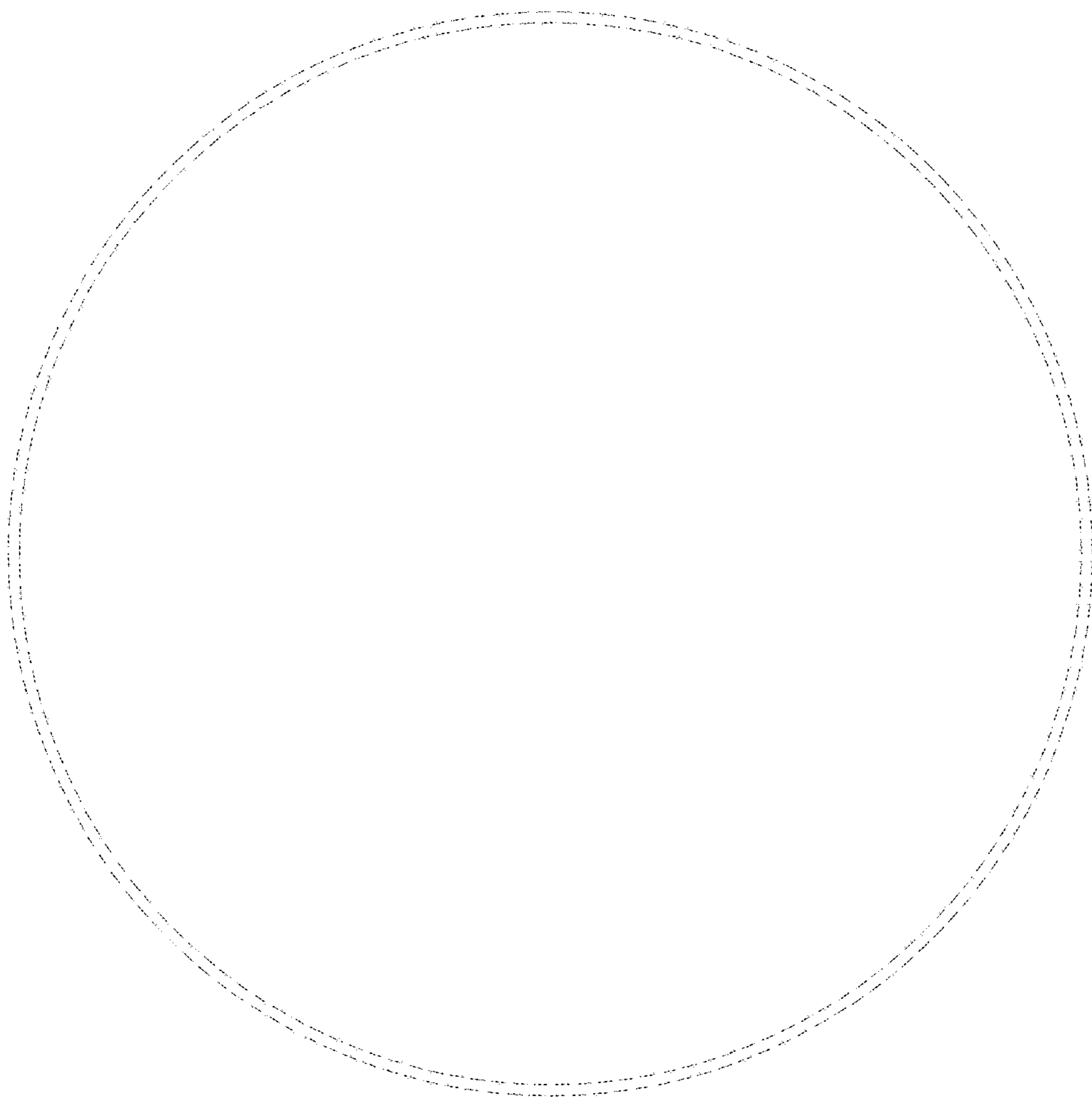


FIG. 4

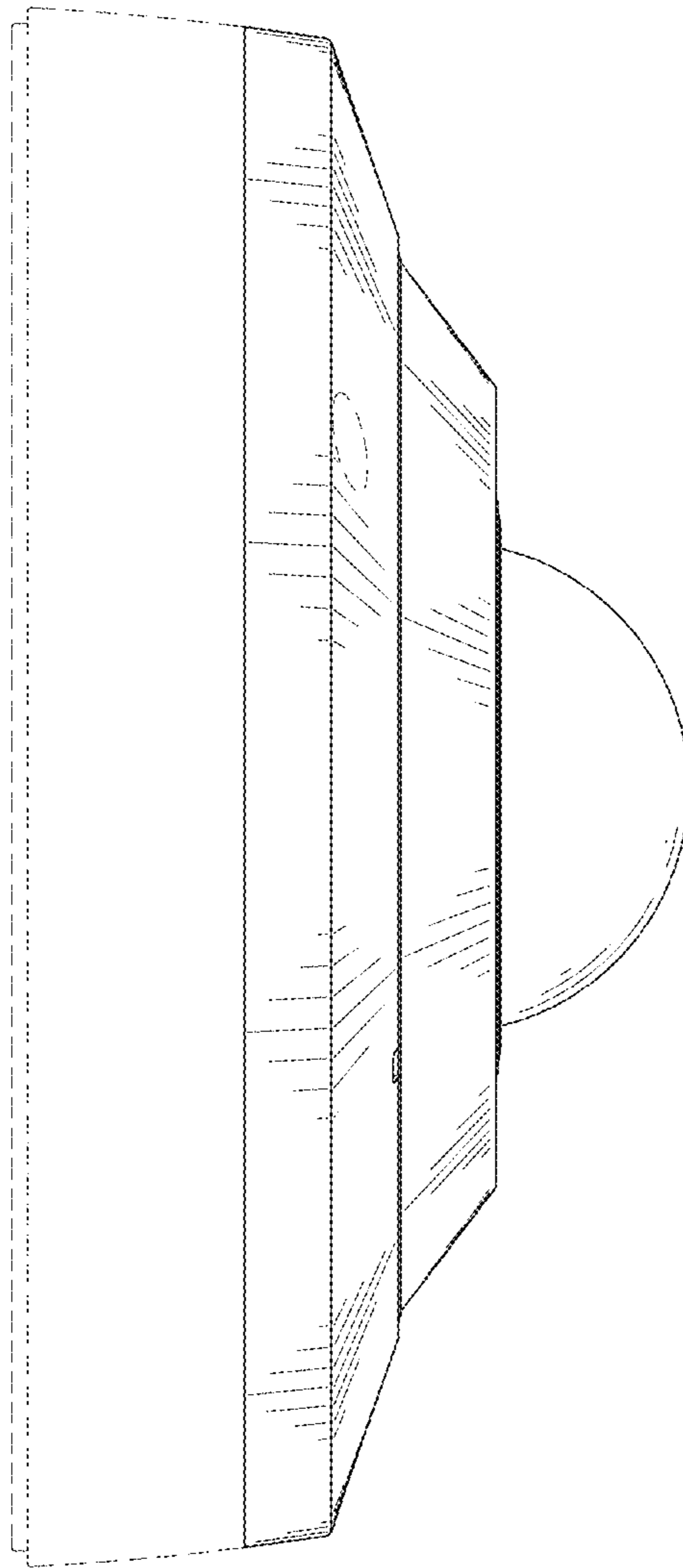


FIG. 5

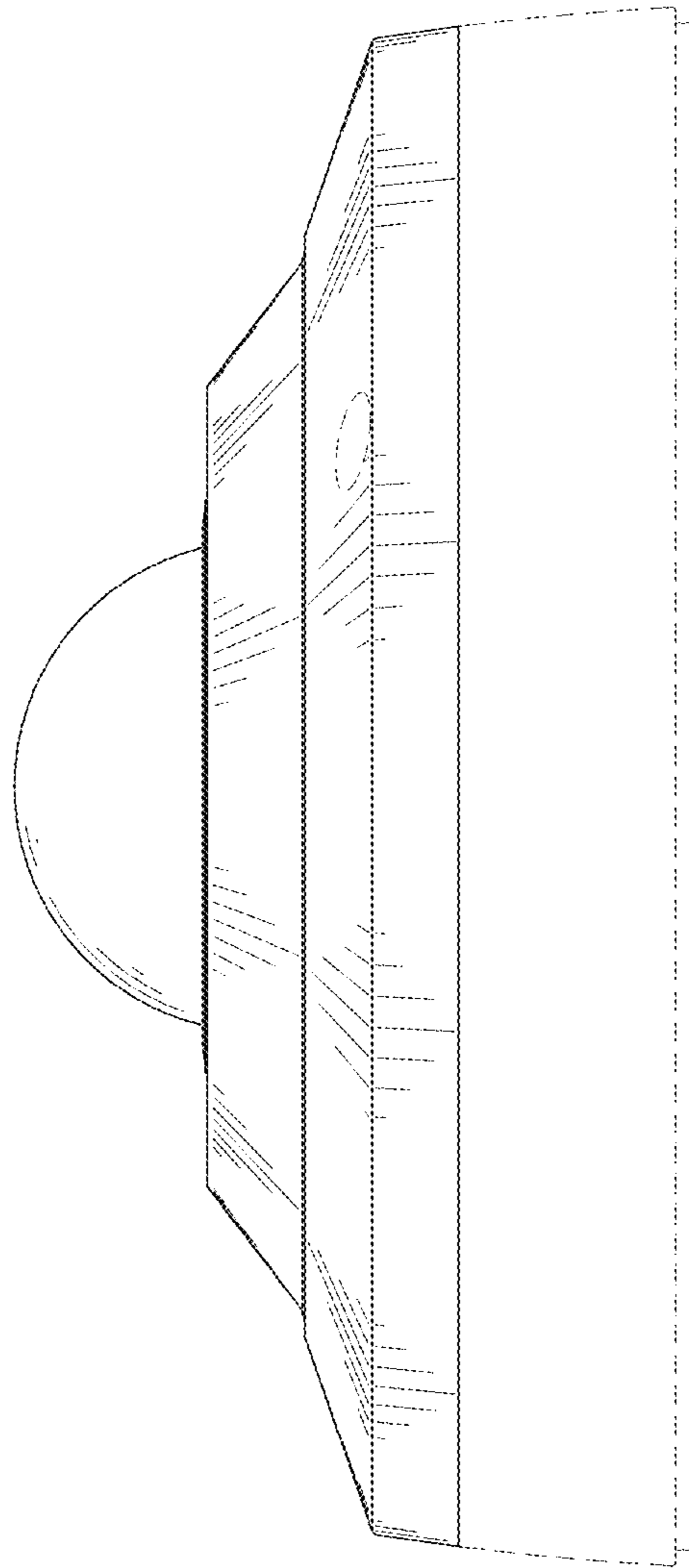


FIG. 6

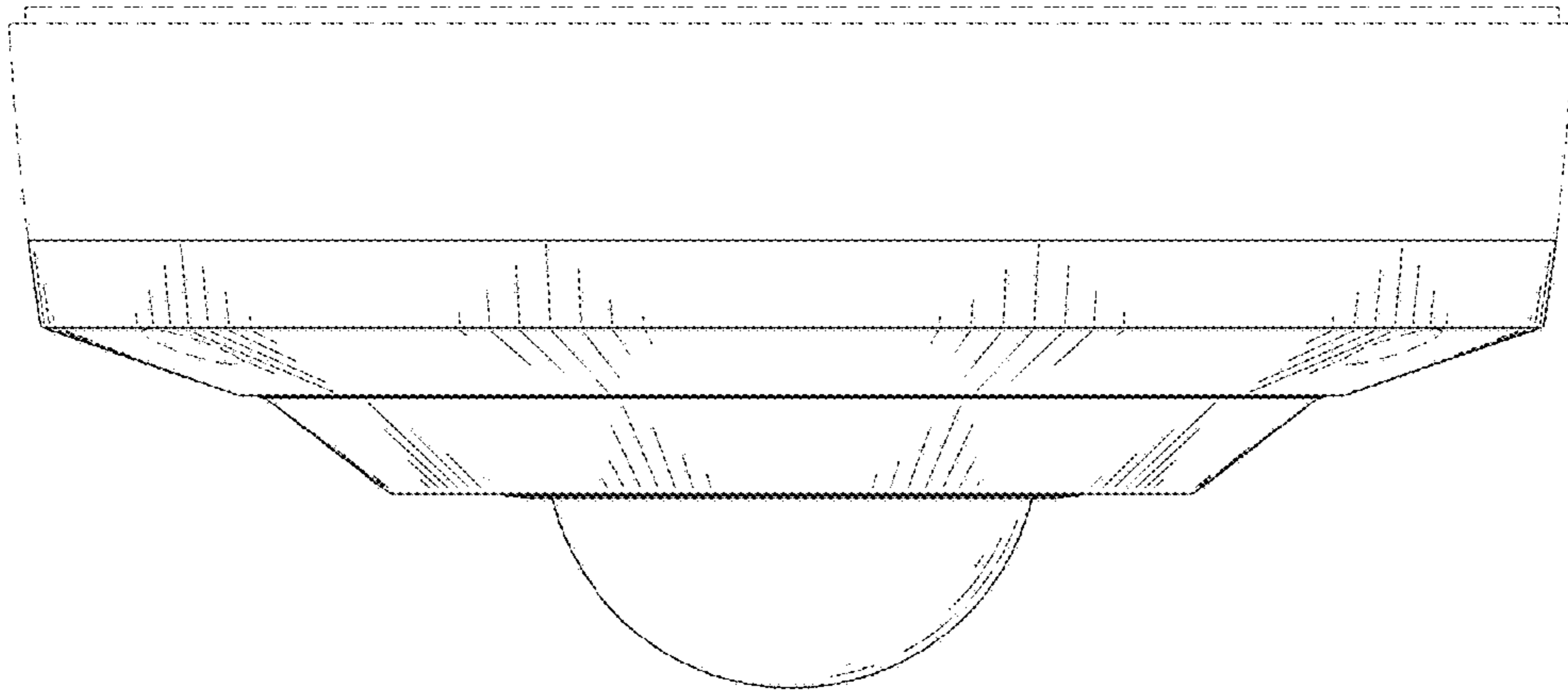


FIG. 7

