



US00D822087S

(12) **United States Design Patent**  
**Eirich**

(10) **Patent No.:** **US D822,087 S**  
(45) **Date of Patent:** **\*\* Jul. 3, 2018**

- (54) **NO-COAT HAND ROLLER**
- (71) Applicant: **William Shane Eirich, Jerome, ID (US)**
- (72) Inventor: **William Shane Eirich, Jerome, ID (US)**
- (\*\*) Term: **15 Years**
- (21) Appl. No.: **29/620,541**
- (22) Filed: **Feb. 10, 2017**
- (51) **LOC (11) Cl.** ..... **15-99**
- (52) **U.S. Cl.**  
USPC ..... **D15/199**
- (58) **Field of Classification Search**  
USPC ..... D15/135, 136, 137, 199  
CPC ..... B44C 7/08; E04F 21/00; E04F 21/165;  
G03D 15/02; Y10T 156/18  
See application file for complete search history.

5,670,182 A *	9/1997	Mower	.....	E04F 21/165 401/48
6,146,039 A *	11/2000	Pool	.....	B05C 17/005 401/171
7,337,648 B2 *	3/2008	Green	.....	B25B 27/10 156/579
8,001,695 B2 *	8/2011	Watters	.....	E04F 21/165 33/42
8,177,453 B2 *	5/2012	Cole	.....	E04F 21/00 403/122
D661,168 S *	6/2012	Furling	.....	D8/51
D665,642 S *	8/2012	Furling	.....	D8/51
8,523,467 B2 *	9/2013	Murray	.....	B05C 17/005 222/611.2
8,851,773 B2 *	10/2014	Gill	.....	E04F 21/165 15/235.4
2004/0129387 A1 *	7/2004	Ibrahim	.....	E04D 15/06 156/577
2010/0196078 A1 *	8/2010	Ovens	.....	E04F 21/08 401/48

\* cited by examiner

*Primary Examiner* — Patricia A Palasik

(56) **References Cited**

**U.S. PATENT DOCUMENTS**

1,461,815 A *	7/1923	Bird	.....	G03D 15/02 396/658
2,146,471 A *	2/1939	Hebert	.....	A47G 25/72 219/244
2,341,691 A *	2/1944	Ciceske	.....	E04G 21/20 222/485
2,824,442 A *	2/1958	Ames	.....	E04F 21/06 401/171
3,299,575 A *	1/1967	Shane	.....	E05D 15/0669 16/97
3,970,078 A *	7/1976	Rogers, Jr.	.....	A61H 15/0092 601/125
4,600,466 A *	7/1986	Herrmann	.....	B44C 1/14 156/391

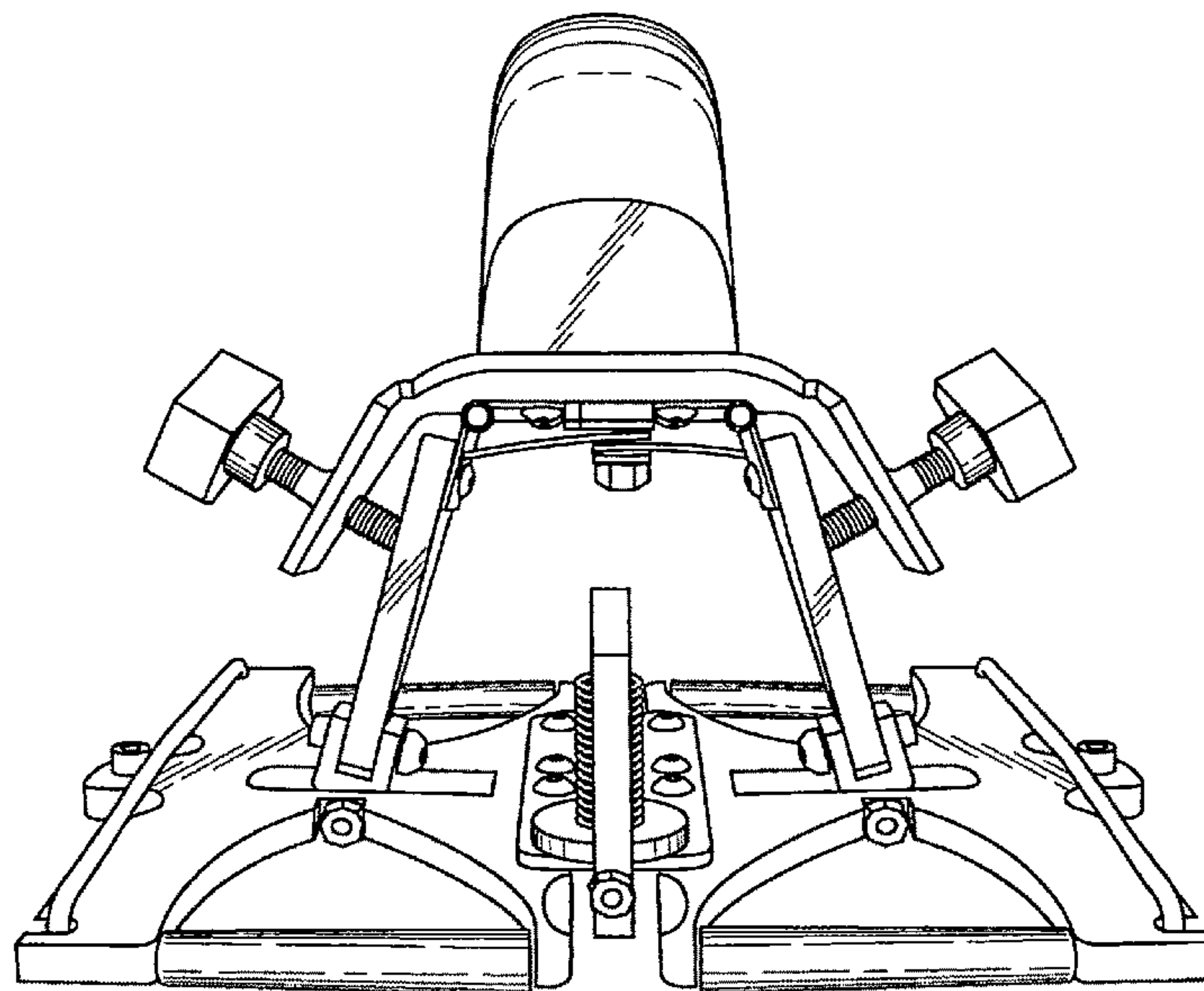
(57) **CLAIM**

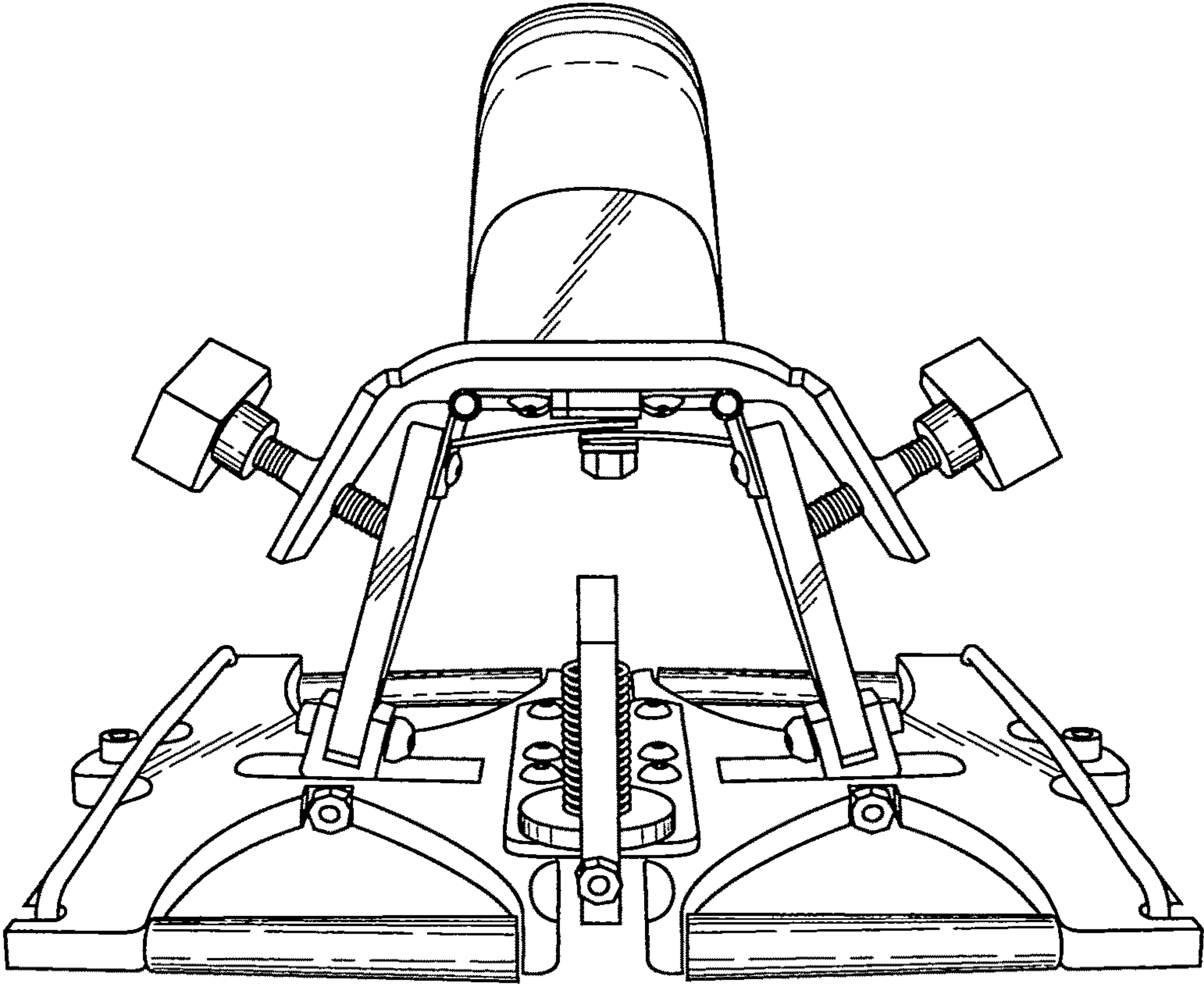
The ornamental design for a “no-coat hand roller”, as shown.

**DESCRIPTION**

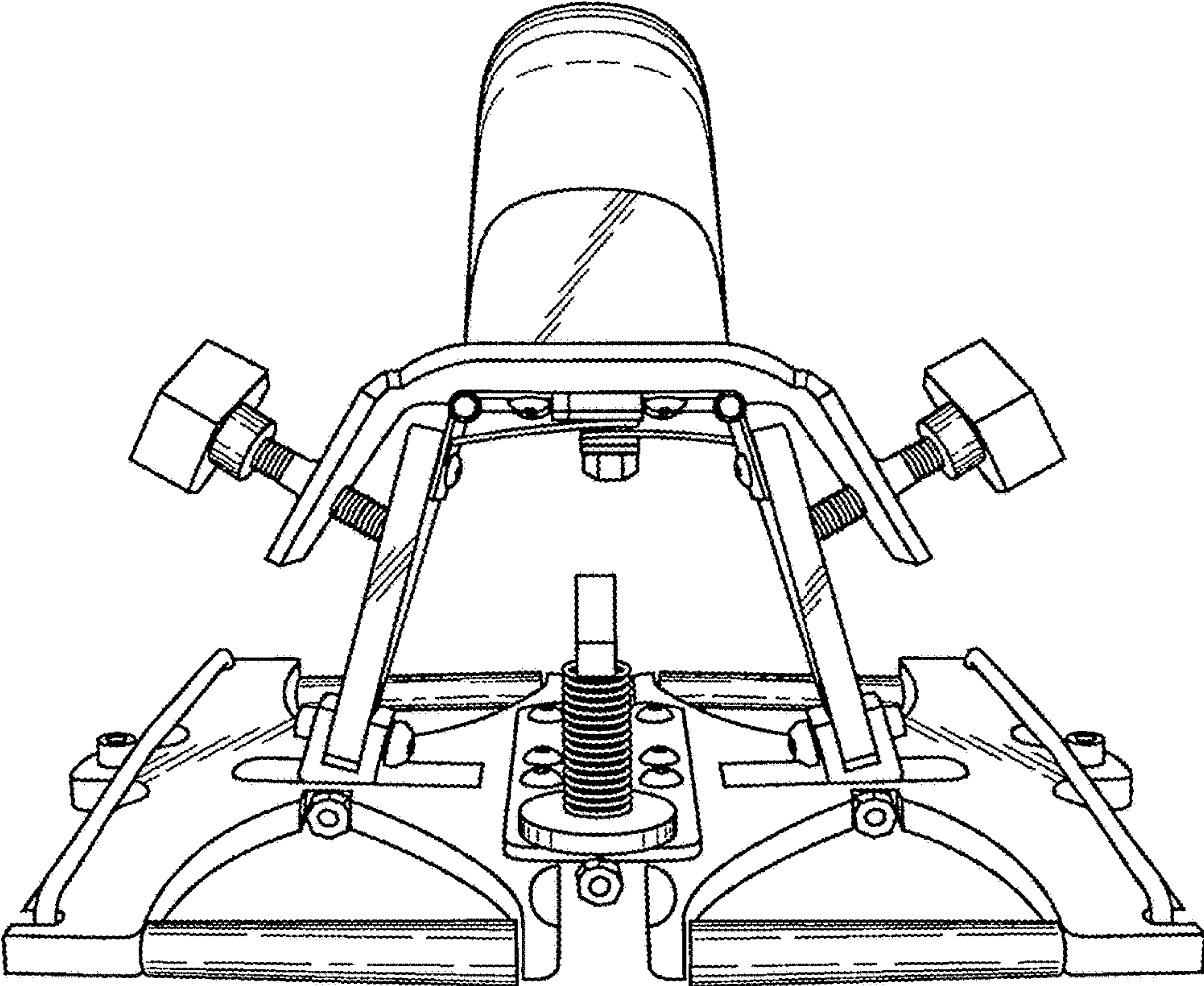
FIG. 1 is a front view of the no-coat hand roller.  
 FIG. 2 is a back view of the no-coat hand roller.  
 FIG. 3 is a right side elevational view of the no-coat hand roller.  
 FIG. 4 is a left side elevational view of the no-coat hand roller.  
 FIG. 5 is a top plan view of the no-coat hand roller; and,  
 FIG. 6 is a bottom plan view of the no-coat hand roller.

**1 Claim, 6 Drawing Sheets**

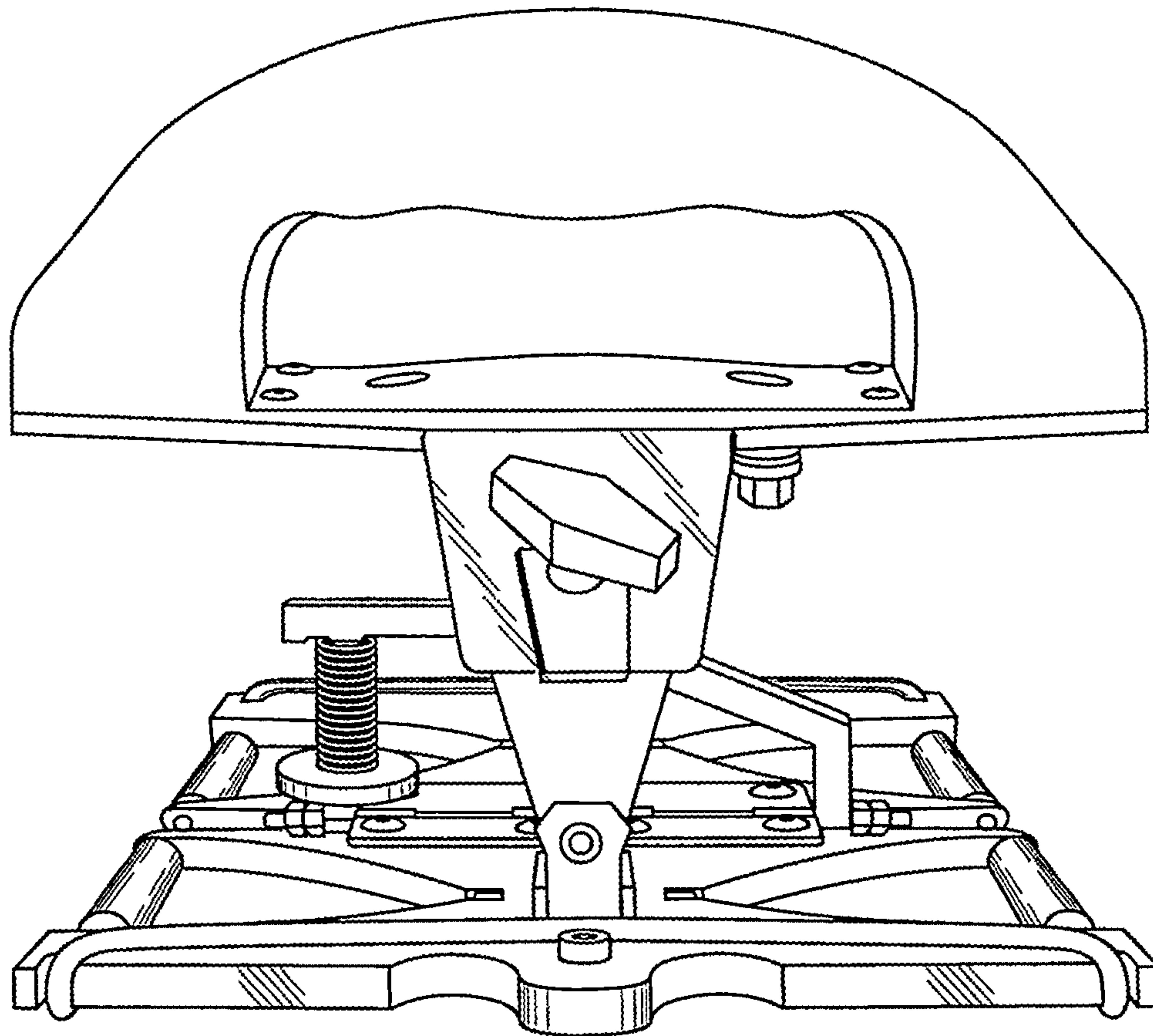




**Fig. 1**

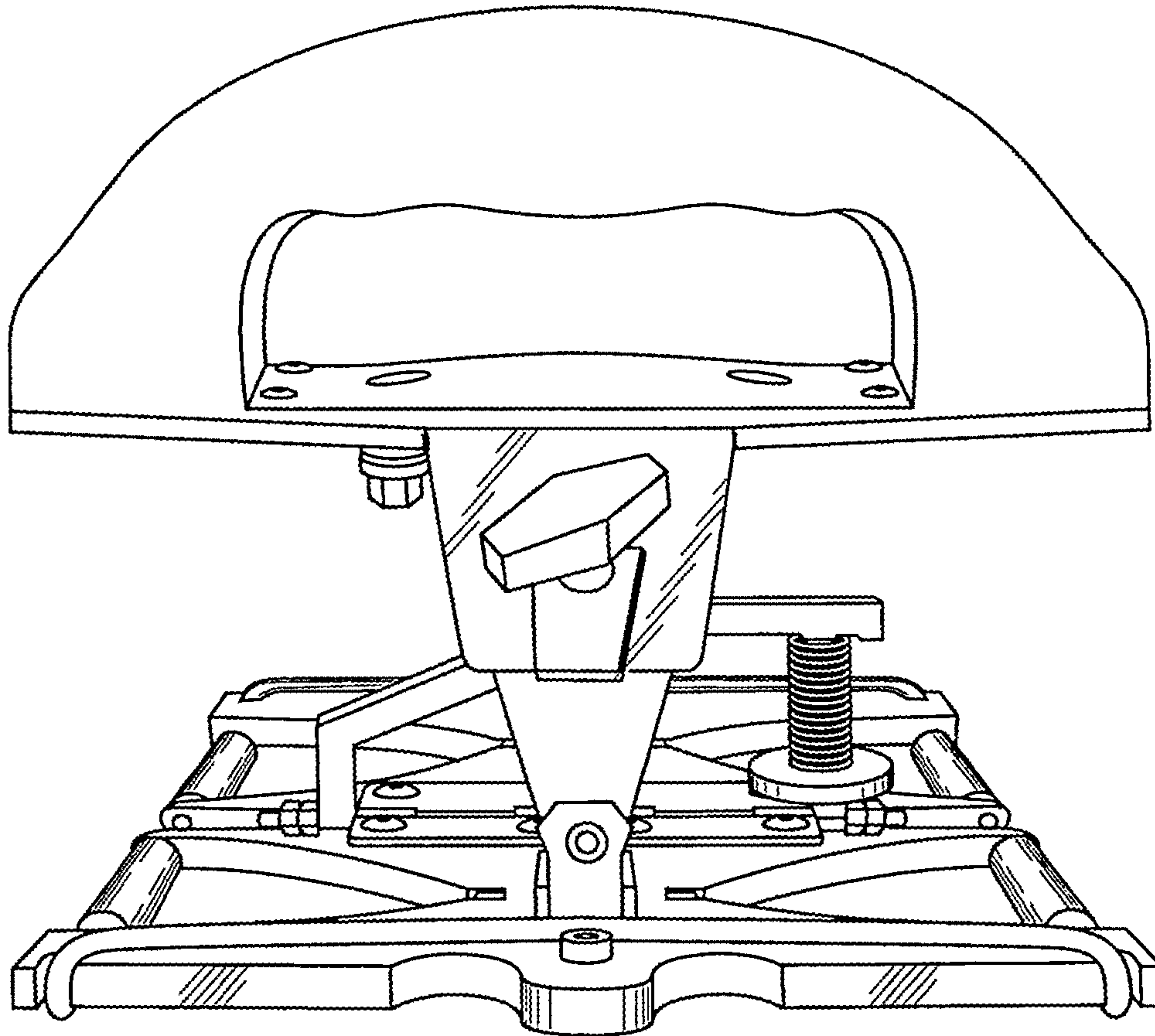


**Fig. 2**

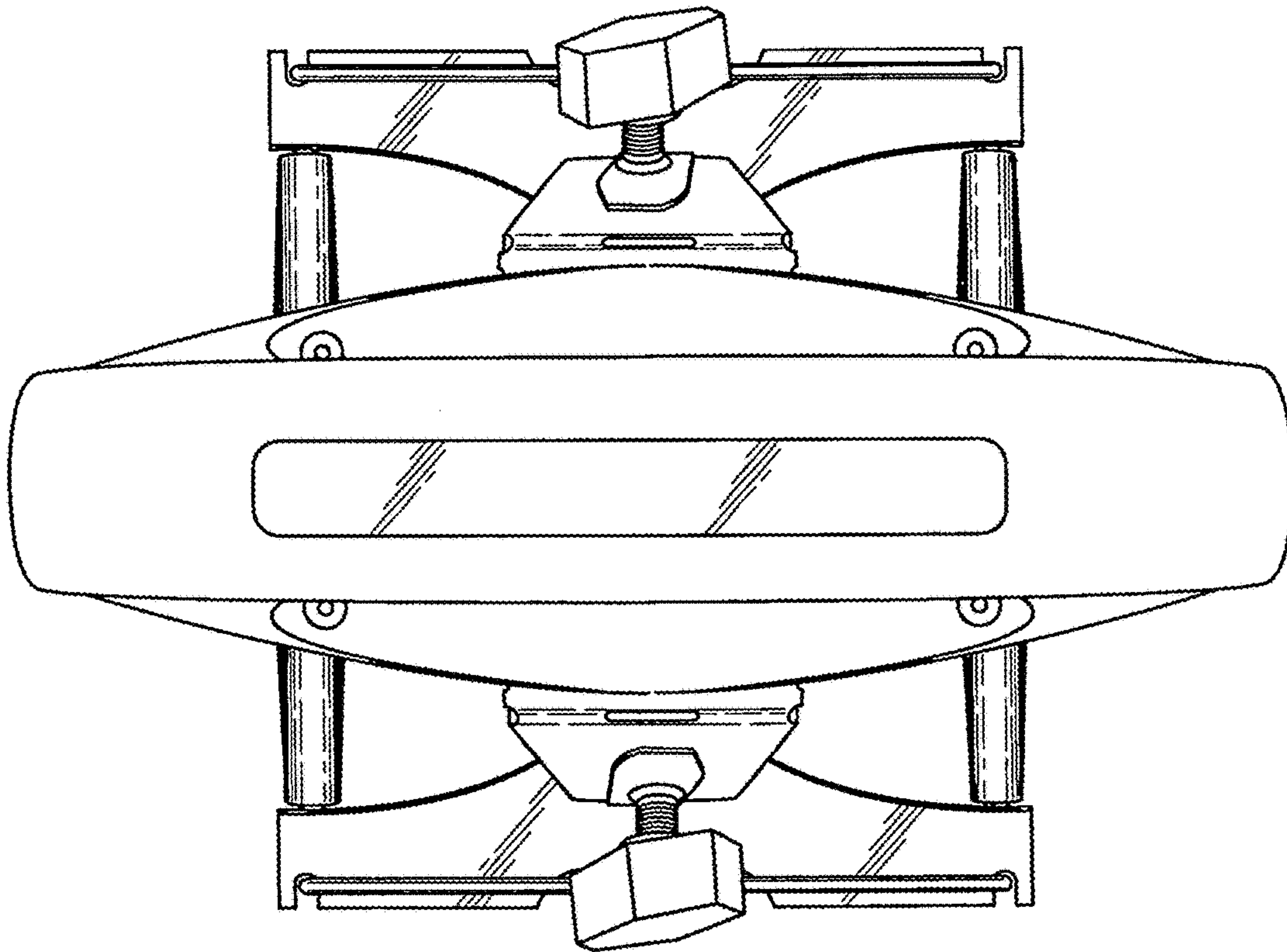


**Fig. 3**

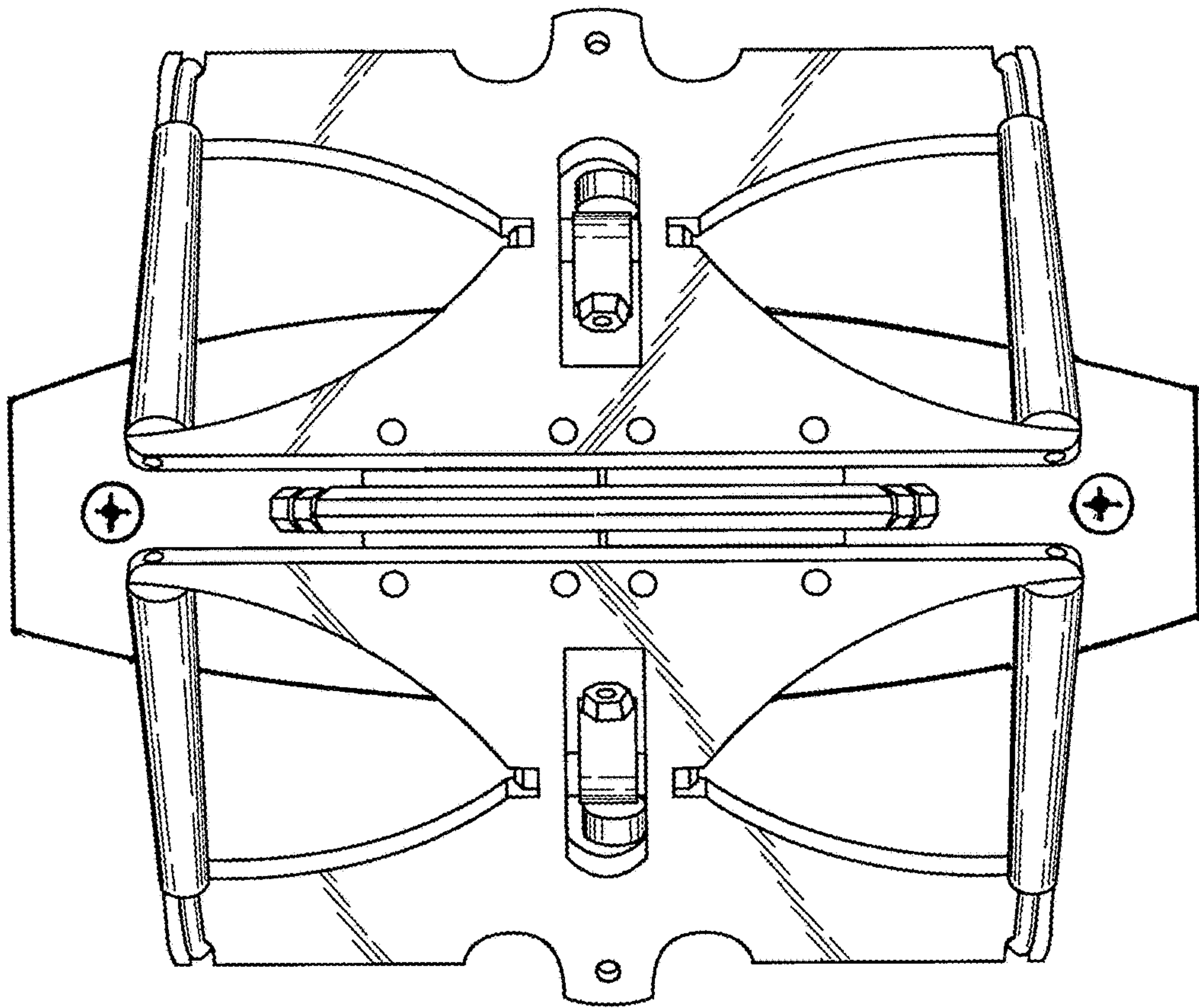




**Fig. 4**



**Fig. 5**



**Fig. 6**