



US00D822085S

(12) **United States Design Patent**  
**Liu**

(10) **Patent No.:** **US D822,085 S**  
(45) **Date of Patent:** **\*\* Jul. 3, 2018**

(54) **ELECTRIC DRIVE UNIT**

(71) Applicant: **Yang Liu**, Wuhan (CN)

(72) Inventor: **Yang Liu**, Wuhan (CN)

(\*\*) Term: **15 Years**

(21) Appl. No.: **29/578,205**

(22) Filed: **Sep. 20, 2016**

(30) **Foreign Application Priority Data**

Aug. 12, 2016 (CN) ..... 2016 3 0386043

(51) **LOC (11) Cl.** ..... **15-09**

(52) **U.S. Cl.**  
USPC ..... **D15/148**

(58) **Field of Classification Search**  
USPC ..... D13/101, 110, 112, 118, 184, 199;  
D15/148, 199  
CPC . B60K 6/26; B60K 6/40; B60K 6/405; B60K  
6/445; B60K 2001/003; B60L 3/0061;  
B60L 11/14; B60L 11/123; B60L  
2210/40; B60L 2240/36; B60L 2240/425;  
B60L 2240/486; H02K 5/20; H02K  
7/116; H02K 9/19; H02K 11/044; H02K  
11/046; Y10S 903/906; Y10S 903/951;  
Y10S 903/952; Y02T 10/641; Y02T  
10/642; Y02T 10/6217; Y02T 10/6239;  
Y02T 10/7077; Y02T 10/7241; Y02T  
90/16

See application file for complete search history.

(56) **References Cited**

**U.S. PATENT DOCUMENTS**

4,614,886 A \* 9/1986 Schneider ..... B60S 1/08  
310/239

5,382,857 A \* 1/1995 Schellhorn ..... H02K 5/225  
310/71  
D673,115 S \* 12/2012 Hoermann ..... D13/112  
D673,116 S \* 12/2012 Hoermann ..... D13/112  
2004/0124722 A1 \* 7/2004 Uchida ..... B60K 6/26  
310/54  
2011/0133609 A1 \* 6/2011 Klippert ..... H01R 39/39  
310/68 R  
2012/0313465 A1 \* 12/2012 Prix ..... H02K 5/20  
310/54  
2016/0136019 A1 \* 5/2016 Studebaker ..... A61G 5/047  
180/11

\* cited by examiner

*Primary Examiner* — Patricia A Palasik

(57) **CLAIM**

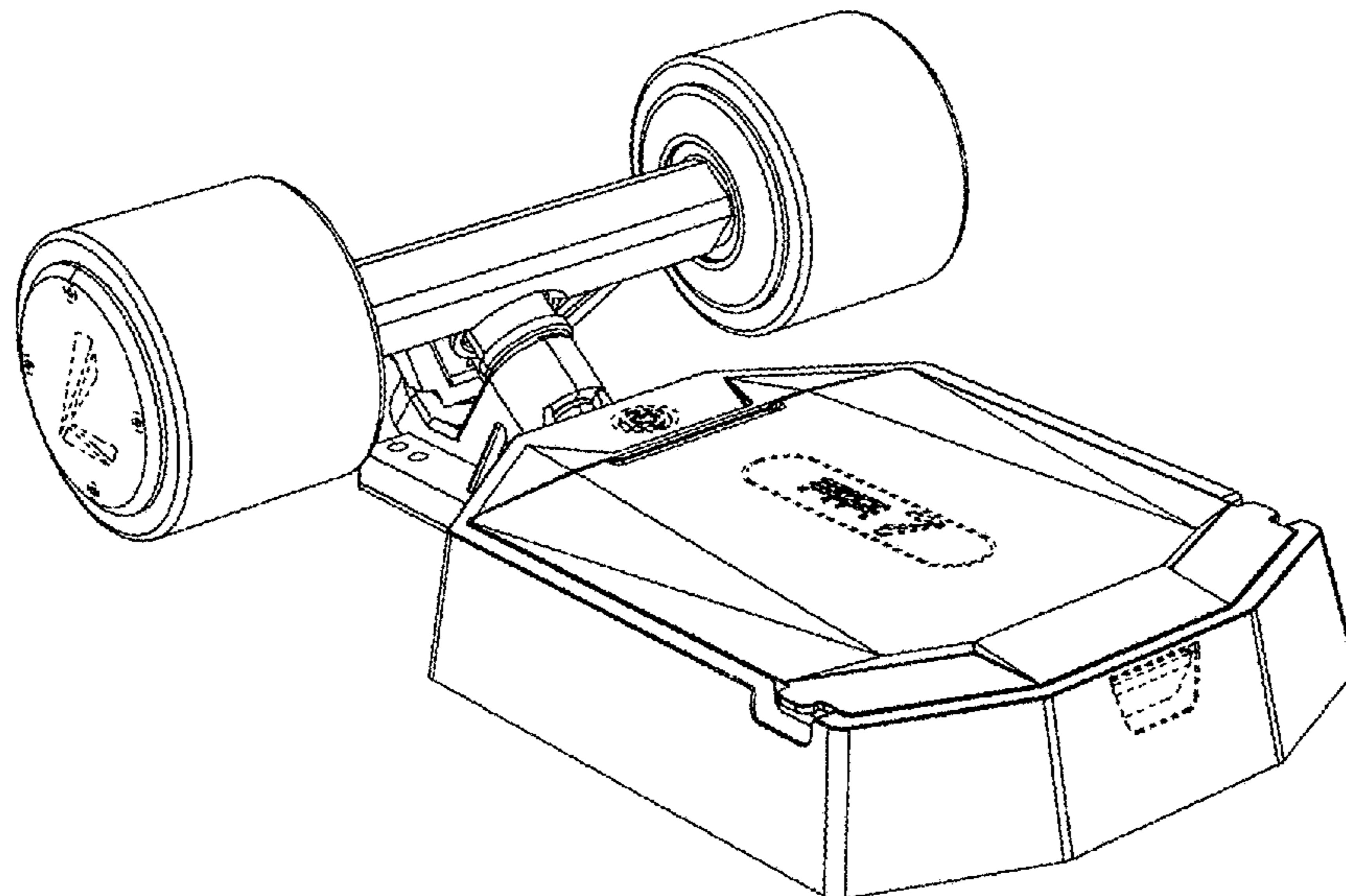
The ornamental design for an electric drive unit, as shown and described.

**DESCRIPTION**

FIG. 1 is a rear elevational view of an electric drive unit showing my new design;  
FIG. 2 is a front elevational view thereof;  
FIG. 3 is a left side view thereof;  
FIG. 4 is a right side view thereof;  
FIG. 5 is a top plan view thereof;  
FIG. 6 is a bottom plan view thereof; and,  
FIG. 7 is a perspective view thereof.

The broken lines in the drawings depict unclaimed environmental subject matter.

**1 Claim, 6 Drawing Sheets**



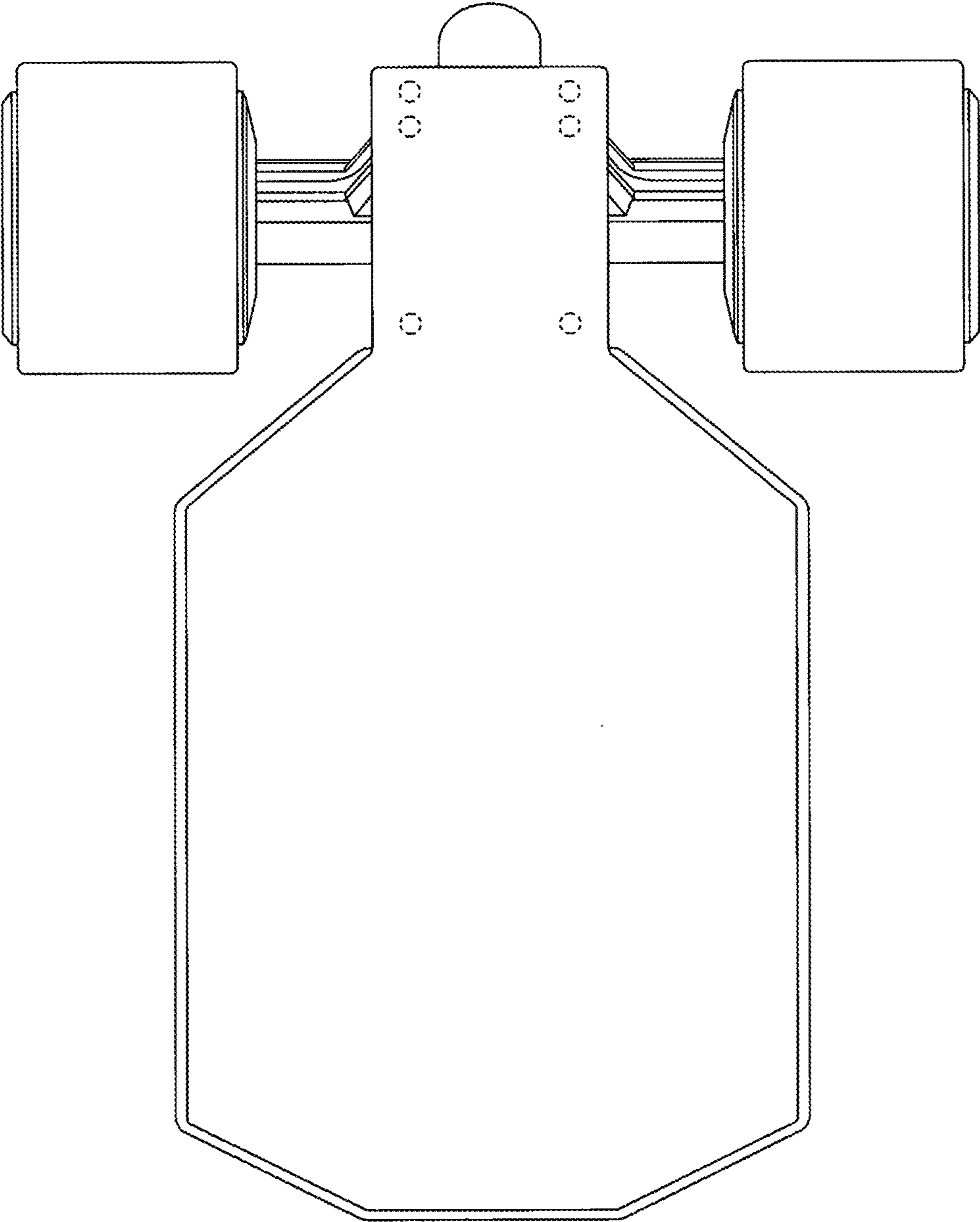


FIG. 1

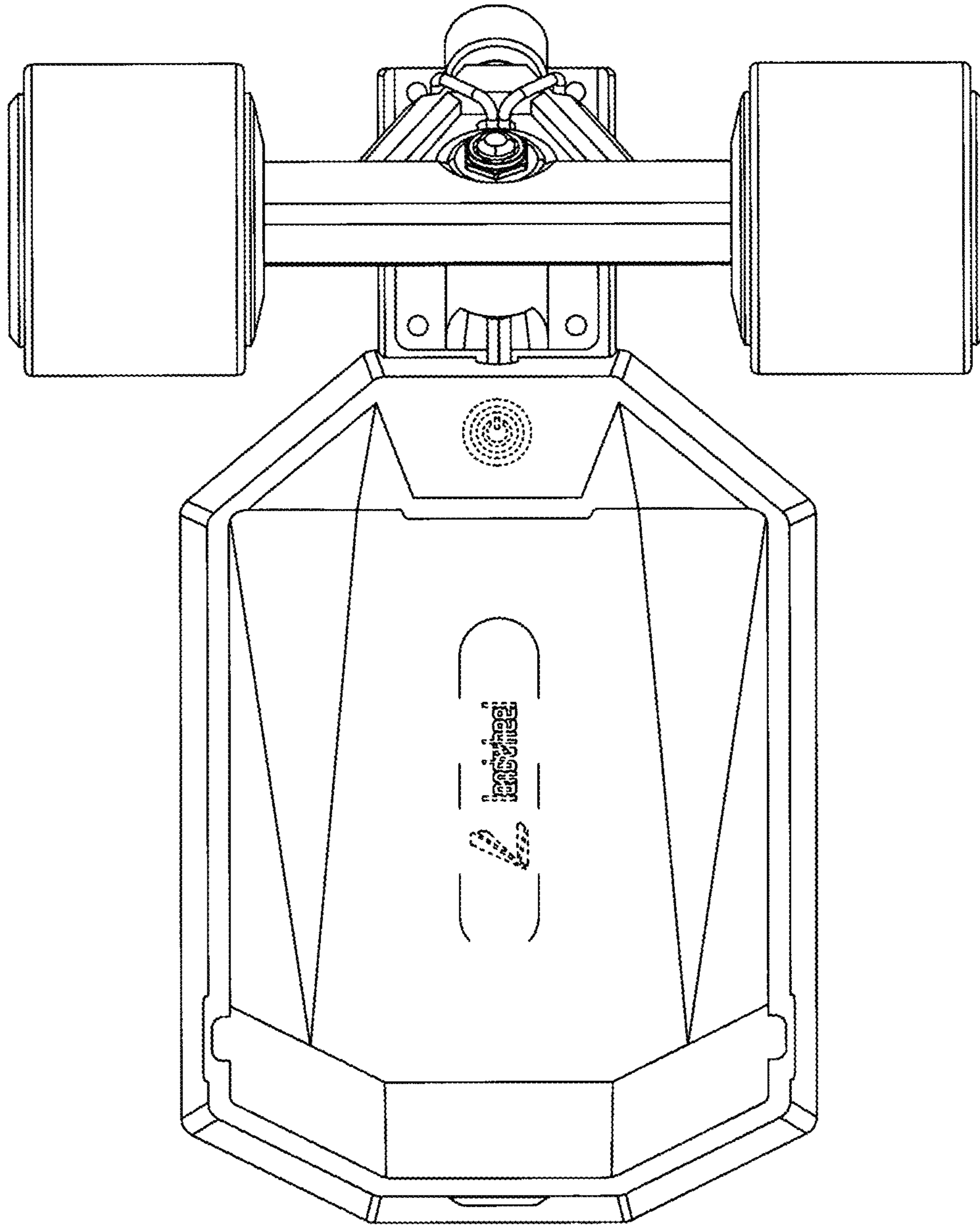


FIG. 2

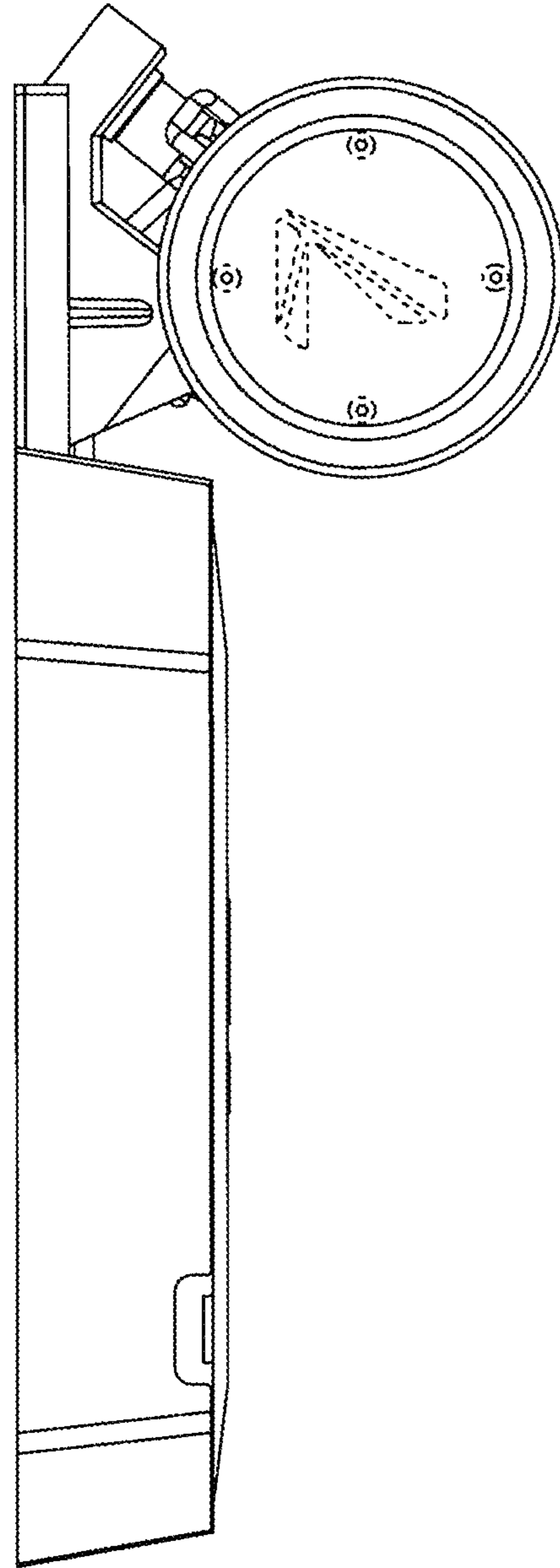


FIG. 3

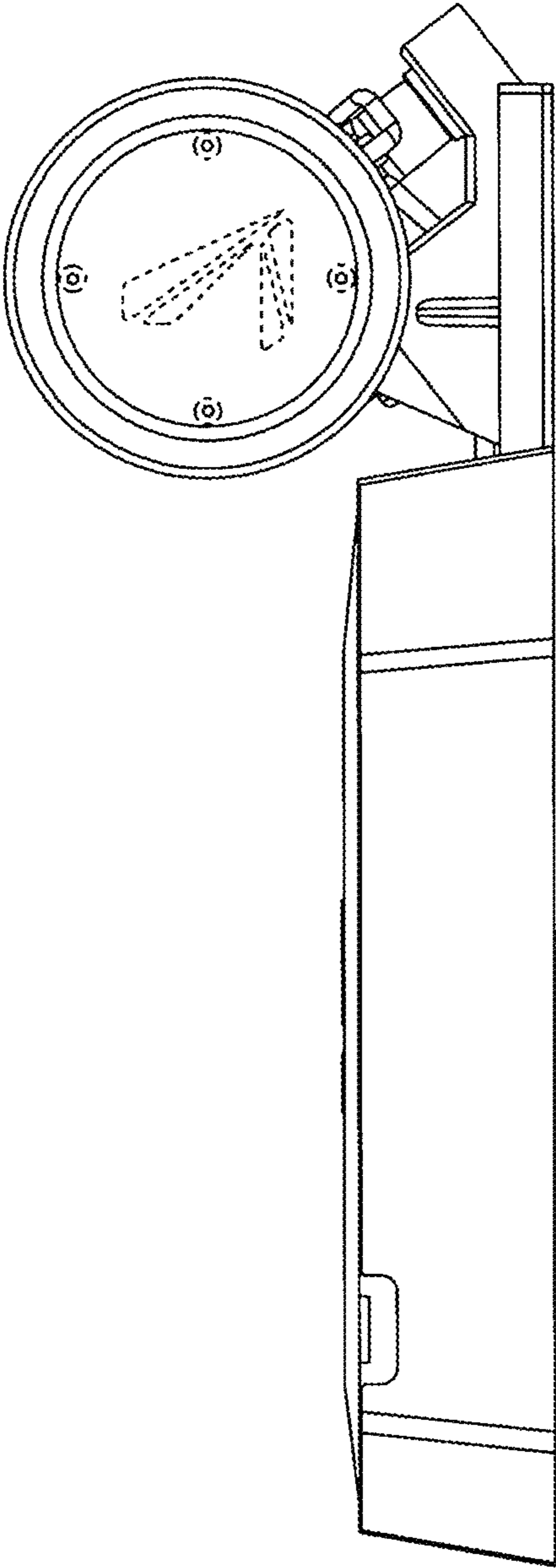


FIG. 4

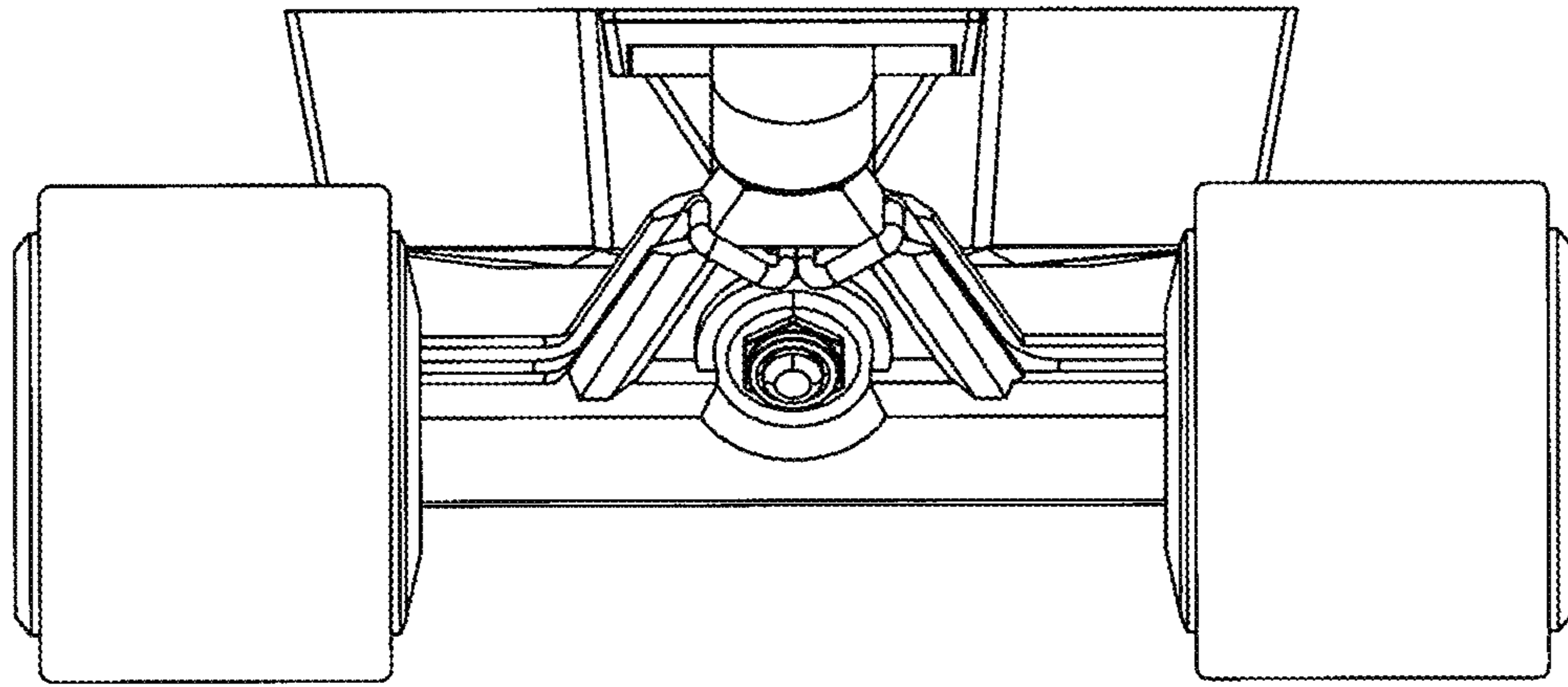


FIG. 5

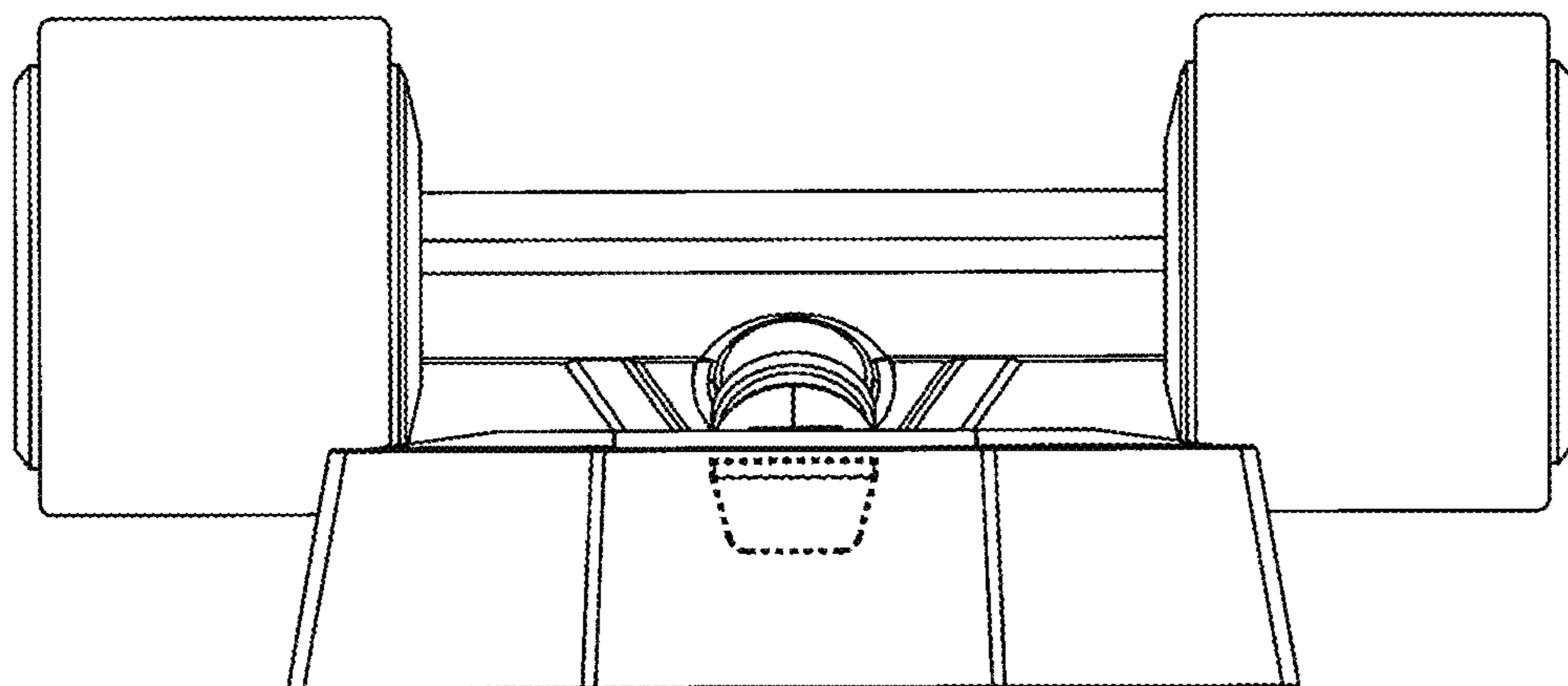


FIG. 6

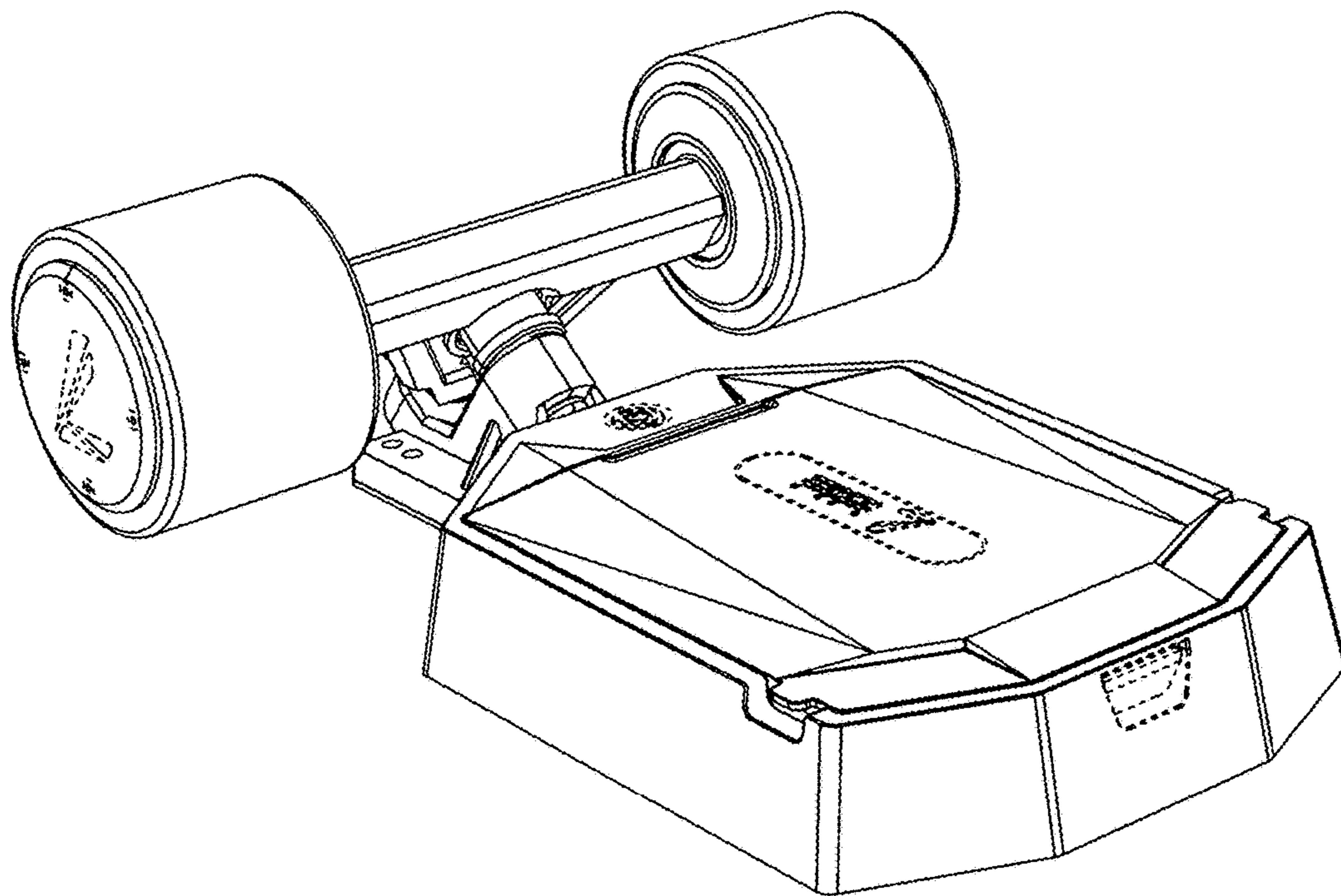


FIG. 7