



US00D822084S

(12) **United States Design Patent**
Hodgkiss

(10) **Patent No.:** **US D822,084 S**
(45) **Date of Patent:** **** Jul. 3, 2018**

(54) **MACHINE FOR SORTING OR CLASSIFYING PARTICULATE PRODUCT**

(71) Applicant: **BUHLER SORTEX LTD**, London (GB)

(72) Inventor: **Douglas Howard Hodgkiss**, Surrey (GB)

(73) Assignee: **BUHLER SORTEX LTD**, London (GB)

(**) Term: **14 Years**

(21) Appl. No.: **29/500,039**

(22) Filed: **Aug. 21, 2014**

(30) **Foreign Application Priority Data**

Feb. 21, 2014 (GB) 4034440

(51) **LOC (11) Cl.** **15-09**

(52) **U.S. Cl.**
USPC **D15/147; D15/122**

(58) **Field of Classification Search**
USPC 209/644, 589, 581, 577, 564, 563, 558,
209/549, 546; D15/122, 145-147, 199,
D15/131

CPC B07C 5/342; B07C 5/3425; B07C 5/366
See application file for complete search history.

(56) **References Cited**

U.S. PATENT DOCUMENTS

- 2,734,537 A * 2/1956 Geisler A22C 17/04
209/275
- 3,482,686 A * 12/1969 Wood B07C 5/342
209/587
- D259,791 S * 7/1981 Davis, Jr. D15/147
- D272,913 S * 3/1984 Boissicat D15/147
- 4,718,558 A * 1/1988 Castaneda B07C 5/3425
209/581

- D306,597 S * 3/1990 Vanden Bos D15/10
- 6,252,188 B1 * 6/2001 Zapata B07C 5/342
209/577
- D556,795 S * 12/2007 Bee D15/122
- D560,233 S * 1/2008 Bee D15/122
- D615,110 S * 5/2010 Flory D15/145
- D651,222 S 12/2011 Hodgkiss
- D681,063 S * 4/2013 Kanemoto D15/10
- 2002/0060174 A1 * 5/2002 Nakajima B07C 5/362
209/644
- 2012/0138514 A1 * 6/2012 Janssens G01N 21/21
209/577

OTHER PUBLICATIONS

Grains Color Sorting Machine, Anhui Jietai, <http://www.jtcolorsorter.com/grains-color-sorter-machine.html>.*

* cited by examiner

Primary Examiner — Susan Bennett Hattan

Assistant Examiner — Brett Miller

(74) *Attorney, Agent, or Firm* — Renner, Otto, Boisselle & Sklar, LLP

(57) **CLAIM**

The ornamental design for a machine for sorting or classifying particulate product, as shown and described.

DESCRIPTION

FIG. 1 is a perspective view of a machine for sorting or classifying particulate product showing my design.

FIG. 2 is a front view thereof.

FIG. 3 is a rear view thereof.

FIG. 4 is a left side view thereof.

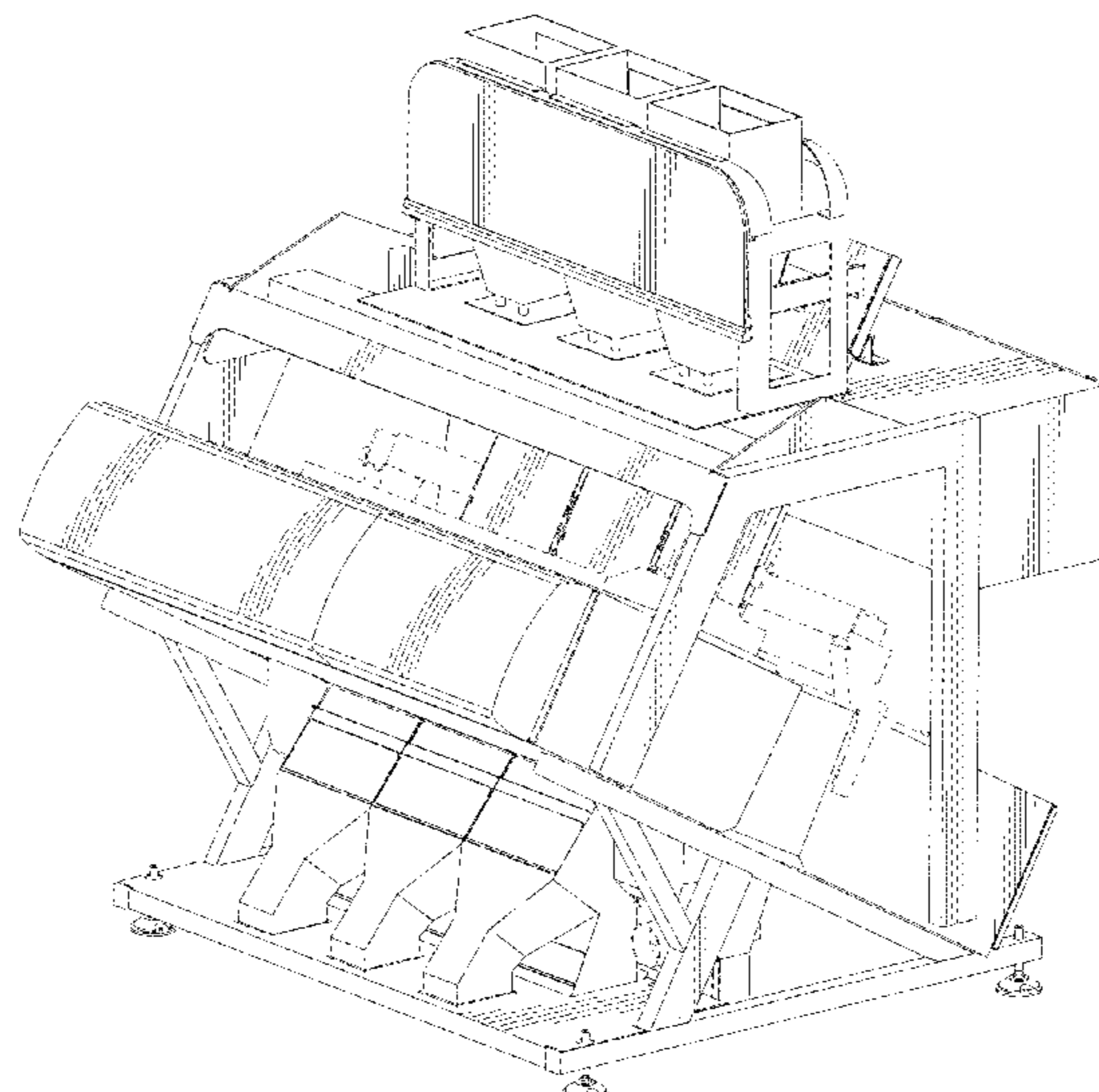
FIG. 5 is a right side view thereof.

FIG. 6 is a top view thereof; and,

FIG. 7 is a bottom view thereof.

The broken lines depict portions of the machine that form no part of the claimed design.

1 Claim, 7 Drawing Sheets



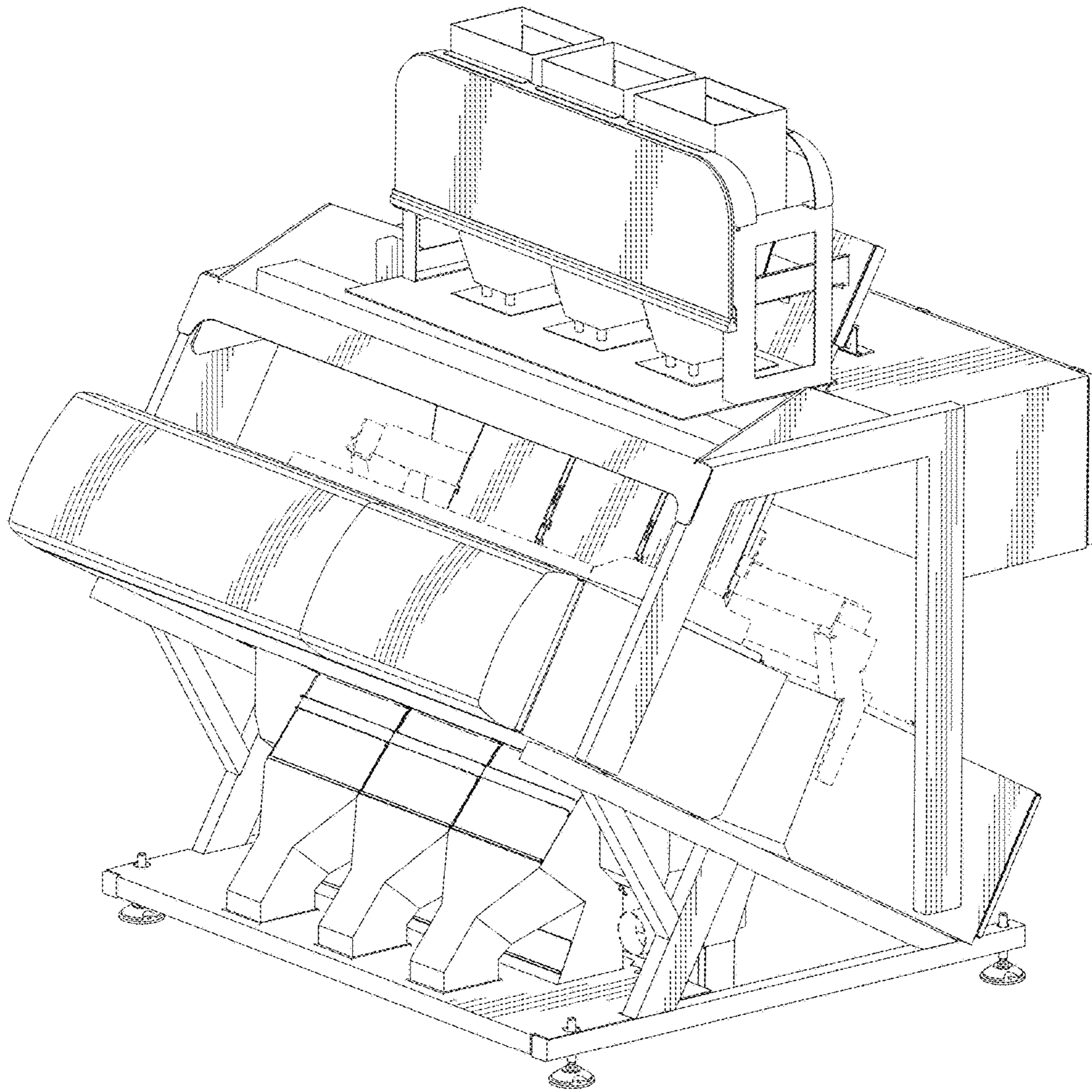


FIG. 1

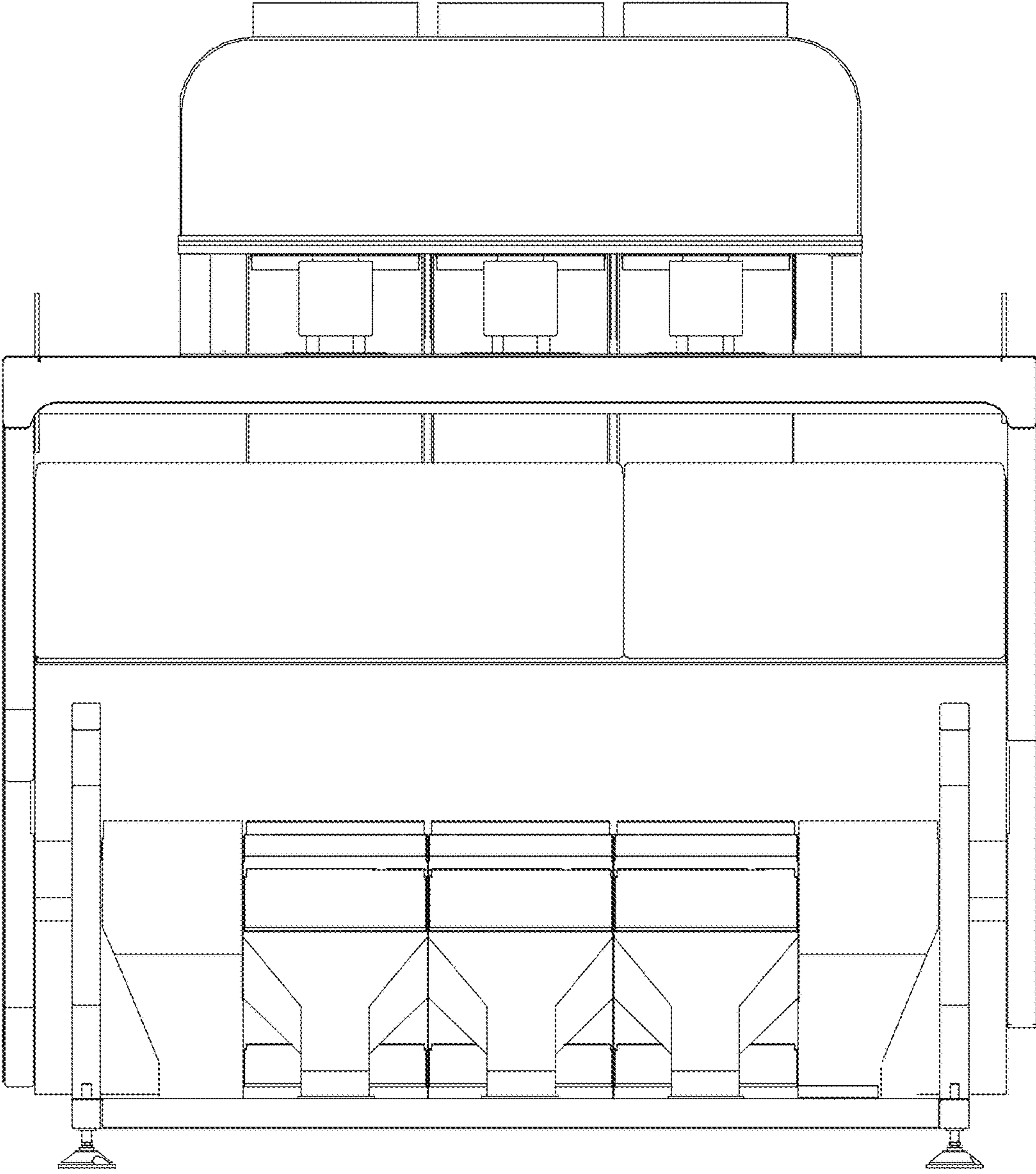


FIG. 2

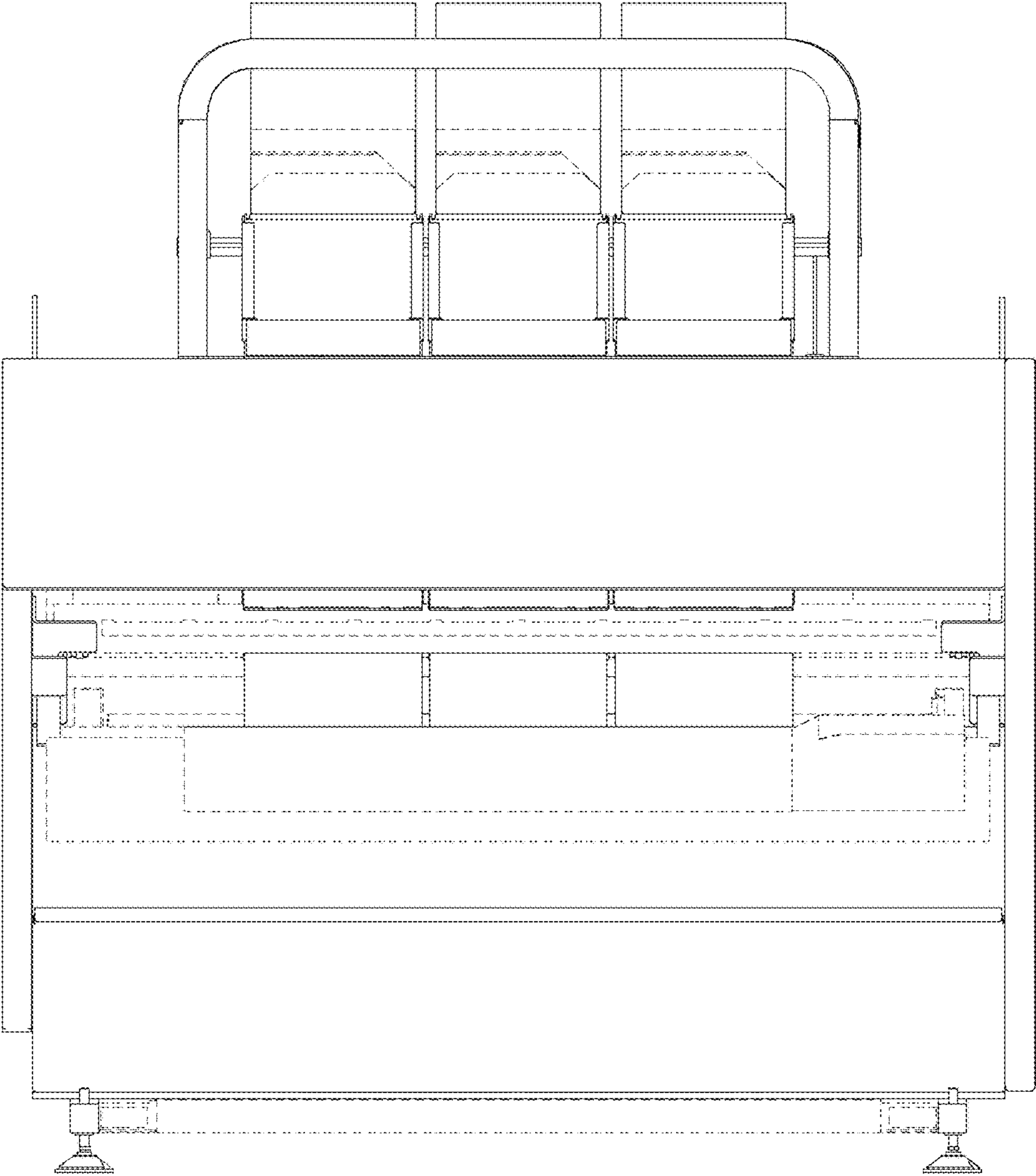


FIG. 3

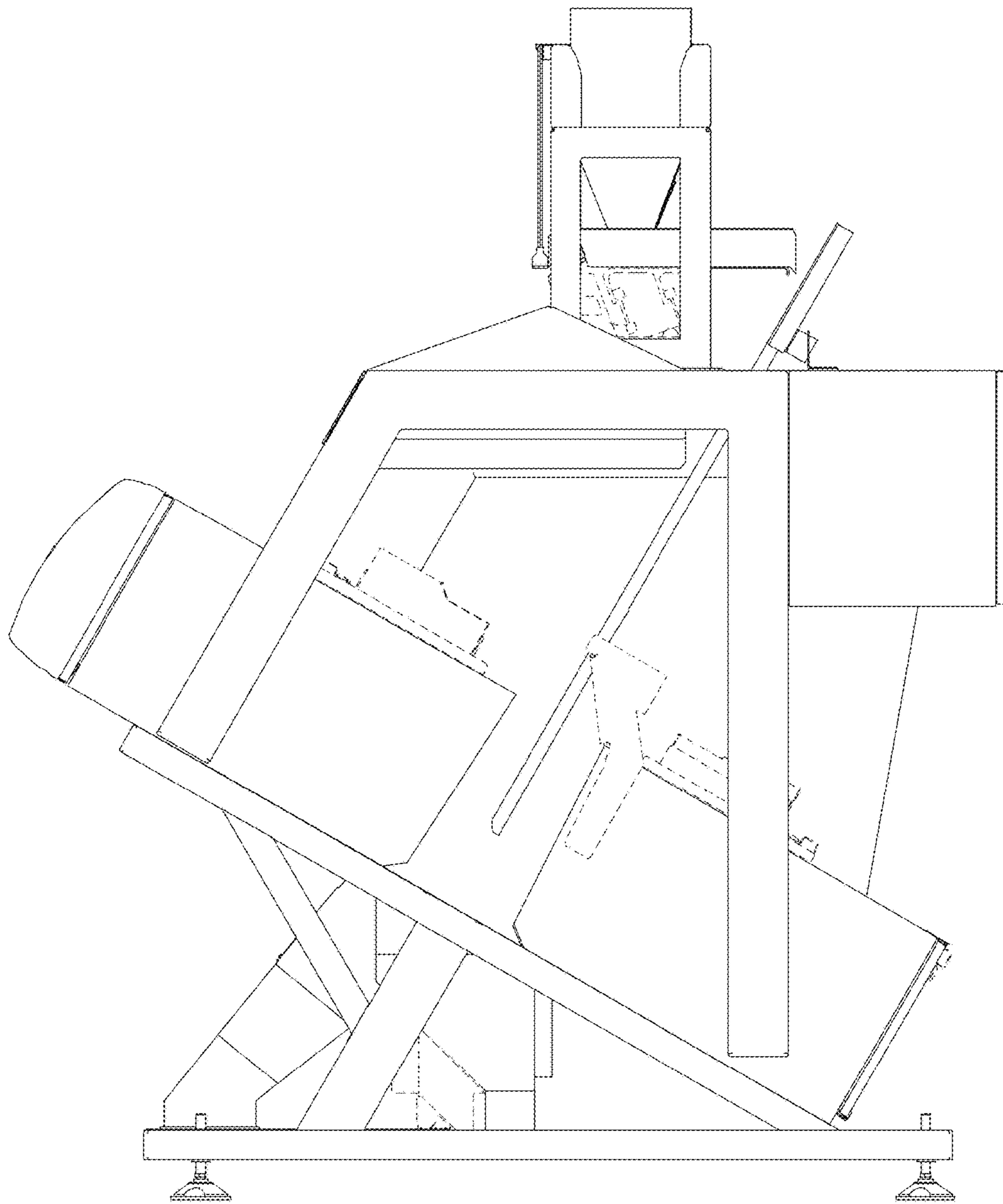


FIG. 4

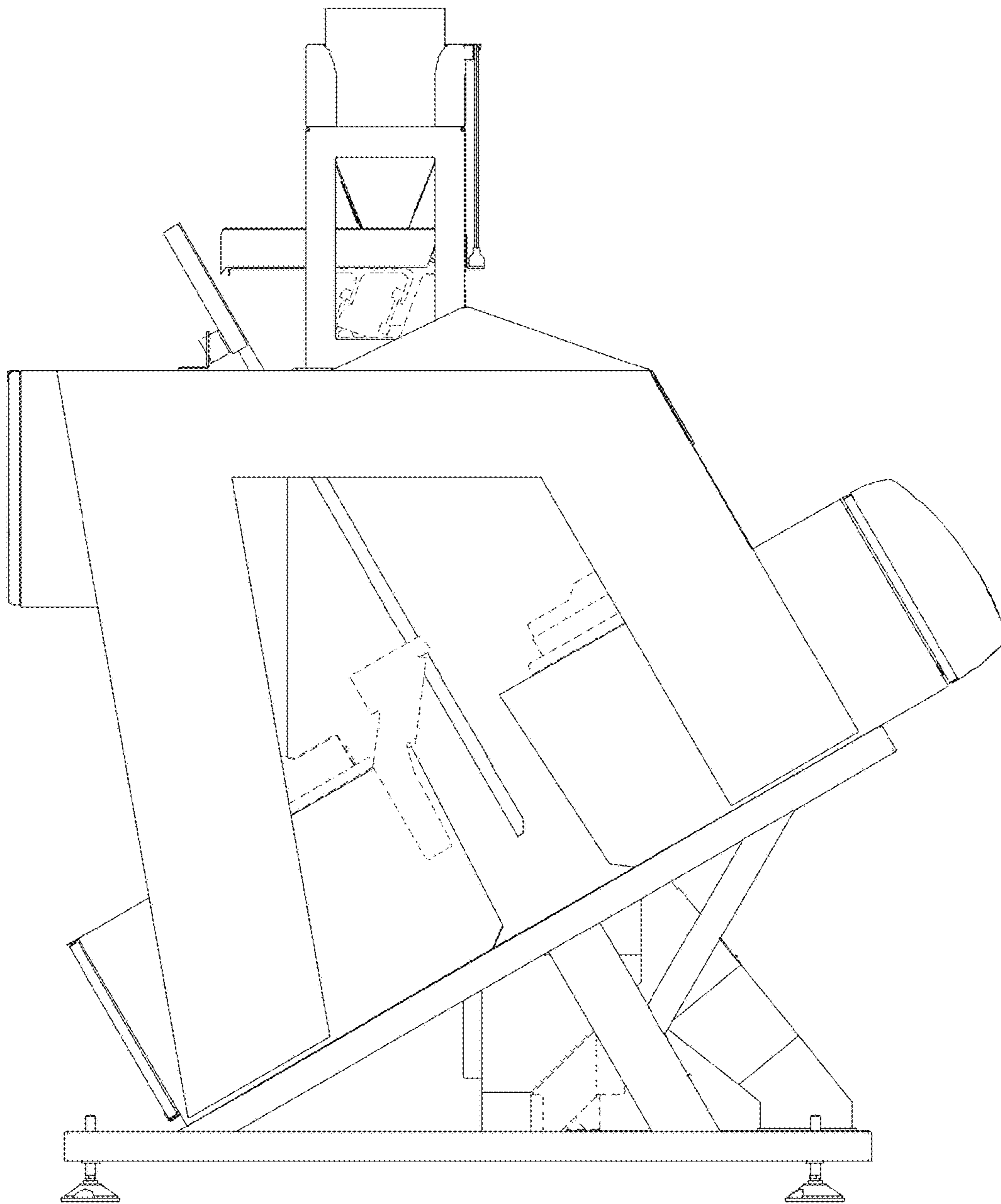


FIG. 5

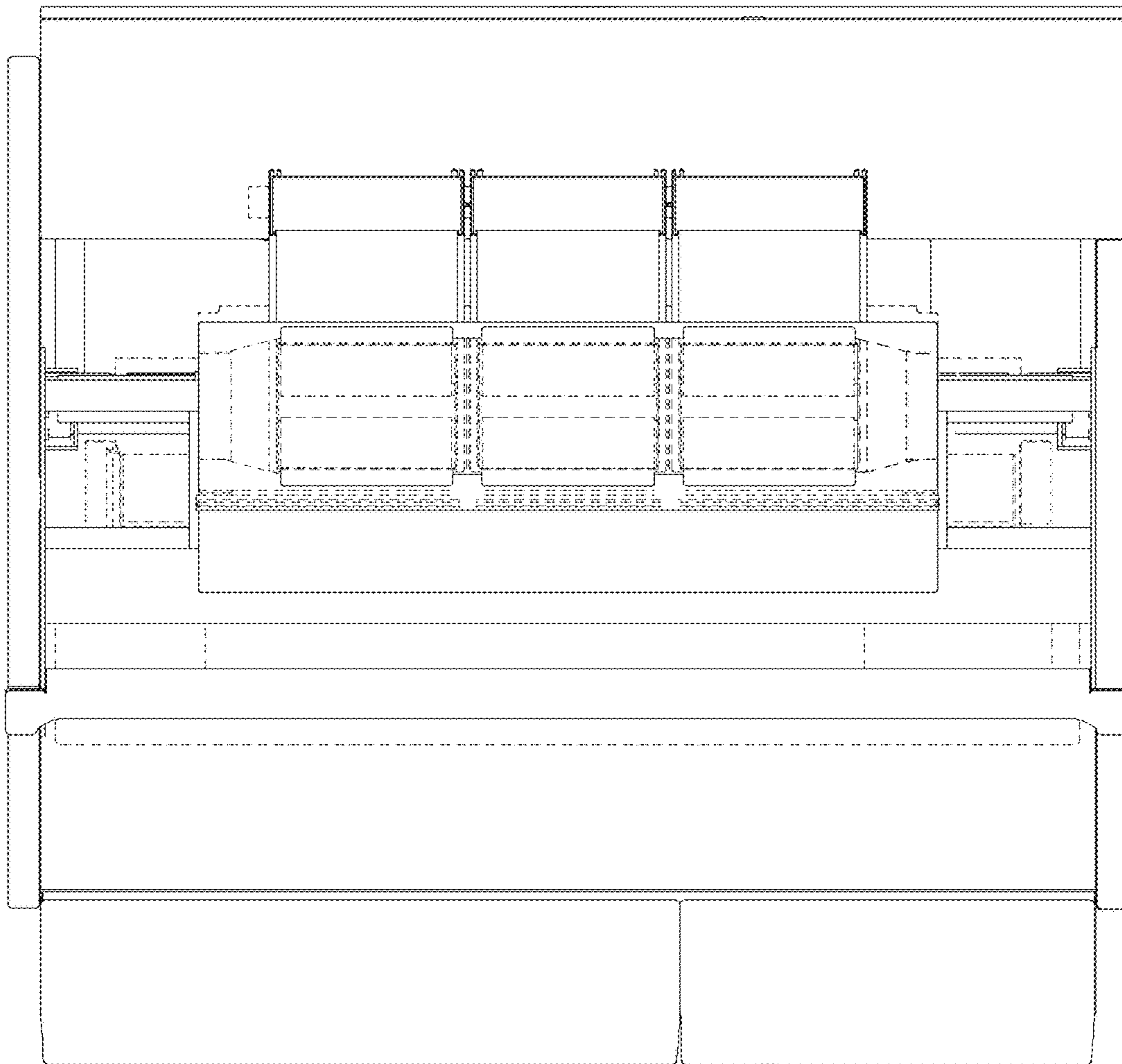


FIG. 6

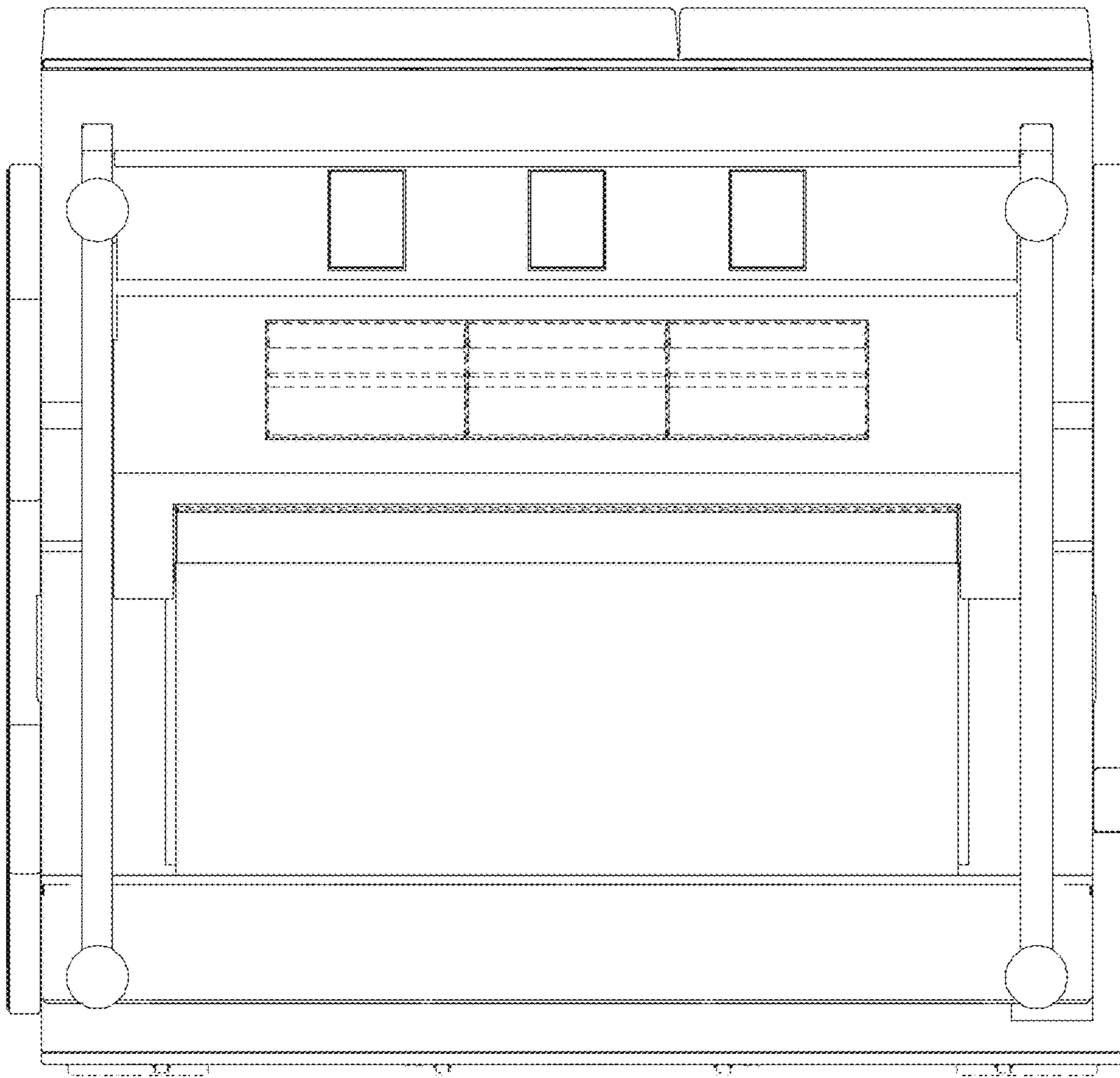


FIG. 7