

US00D822083S

(12) **United States Design Patent** (10) **Patent No.:** **US D822,083 S**
De Padova et al. (45) **Date of Patent:** **** Jul. 3, 2018**

(54) **TRAINING ROBOT CELL**
(71) Applicant: **COMAU S.P.A.**, Grugliasco (IT)
(72) Inventors: **Michele De Padova**, Grugliasco (IT);
Gianluca Gastaldi, Grugliasco (IT)
(73) Assignee: **Comau S.p.A.**, Grugliasco (Turin) (IT)
(**) Term: **15 Years**

D549,754 S * 8/2007 Timhagen D15/199
D602,057 S * 10/2009 Osicki D15/144
D768,746 S * 10/2016 Liu D15/199
2006/0259195 A1* 11/2006 Eliuk A61J 1/20
700/245
2007/0016116 A1* 1/2007 Reinkensmeyer . A63B 69/0064
601/5
2013/0119039 A1 5/2013 Osicki
2016/0288341 A1* 10/2016 Akaha B25J 9/0018
2017/0292101 A1* 10/2017 Yori C12M 1/10

(21) Appl. No.: **35/501,377**
(22) Filed: **Jun. 20, 2016**

FOREIGN PATENT DOCUMENTS

DE 3532305 A1 3/1987
DE 202010007645 U1 8/2010
DE 102012005735 A1 9/2013

(80) **Hague Agreement Data**
Int. Filing Date: **Jun. 20, 2016**
Int. Reg. No.: **DM/091894**
Int. Reg. Date: **Jun. 20, 2016**
Int. Reg. Pub. Date: **Aug. 5, 2016**

* cited by examiner

Primary Examiner — Richard E Chilcot
(74) *Attorney, Agent, or Firm* — Young Basile Hanlon & MacFarlane, P.C.

(51) **LOC (11) Cl.** **15-99**
(52) **U.S. Cl.**
USPC **D15/144**; D15/199
CPC **B23K 9/173** (2013.01)

(57) **CLAIM**

The ornamental design for training robot cell, as shown and described.

(58) **Field of Classification Search**
USPC D15/144, 144.1, 144.2, 199; 114/112;
219/56, 57, 125.1, 136, 158; 901/42;
312/249.1, 249.3, 249.7, 249.8, 352;
700/112, 245
CPC B23K 9/173; B23K 9/287; B23K 37/0235;
B23K 37/0443; B23K 37/047
See application file for complete search history.

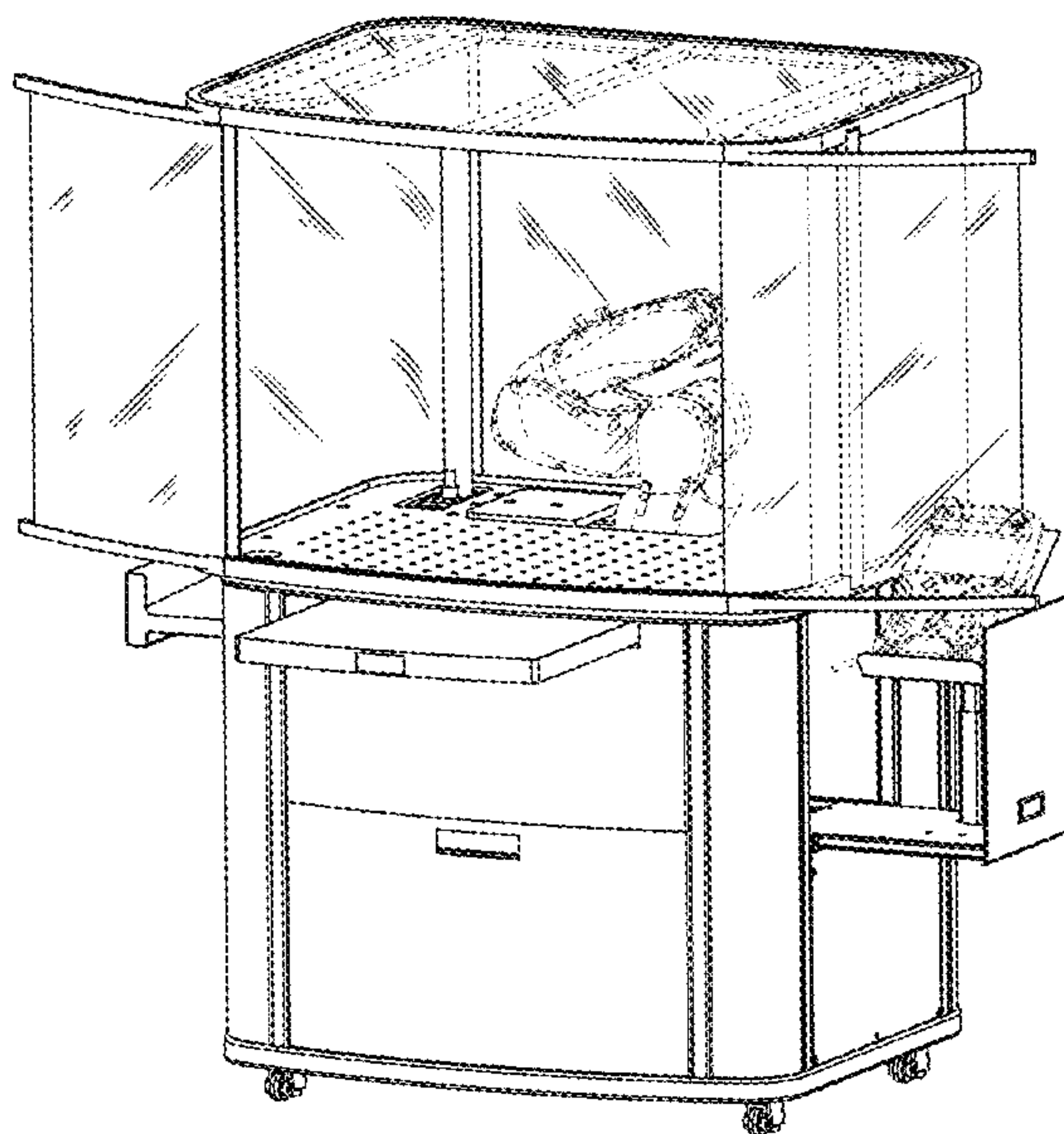
DESCRIPTION

FIG. 1.1 is a perspective view of a training robot cell;
FIG. 1.2 is a top view of FIG. 1.1;
FIG. 1.3 is a front view of FIG. 1.1;
FIG. 1.4 is a back view of FIG. 1.1;
FIG. 1.5 is a left side view of FIG. 1.1;
FIG. 1.6 is a bottom view FIG. 1.1; and
FIG. 1.7 is a right side view FIG. 1.1.
In the drawings, the ornamental design that is claimed is shown in solid lines. The broken lines form no part of the claimed design.

(56) **References Cited**
U.S. PATENT DOCUMENTS

5,129,611 A 7/1992 Grover et al.
5,172,328 A * 12/1992 Cahlander A47J 27/14
700/112

1 Claim, 7 Drawing Sheets



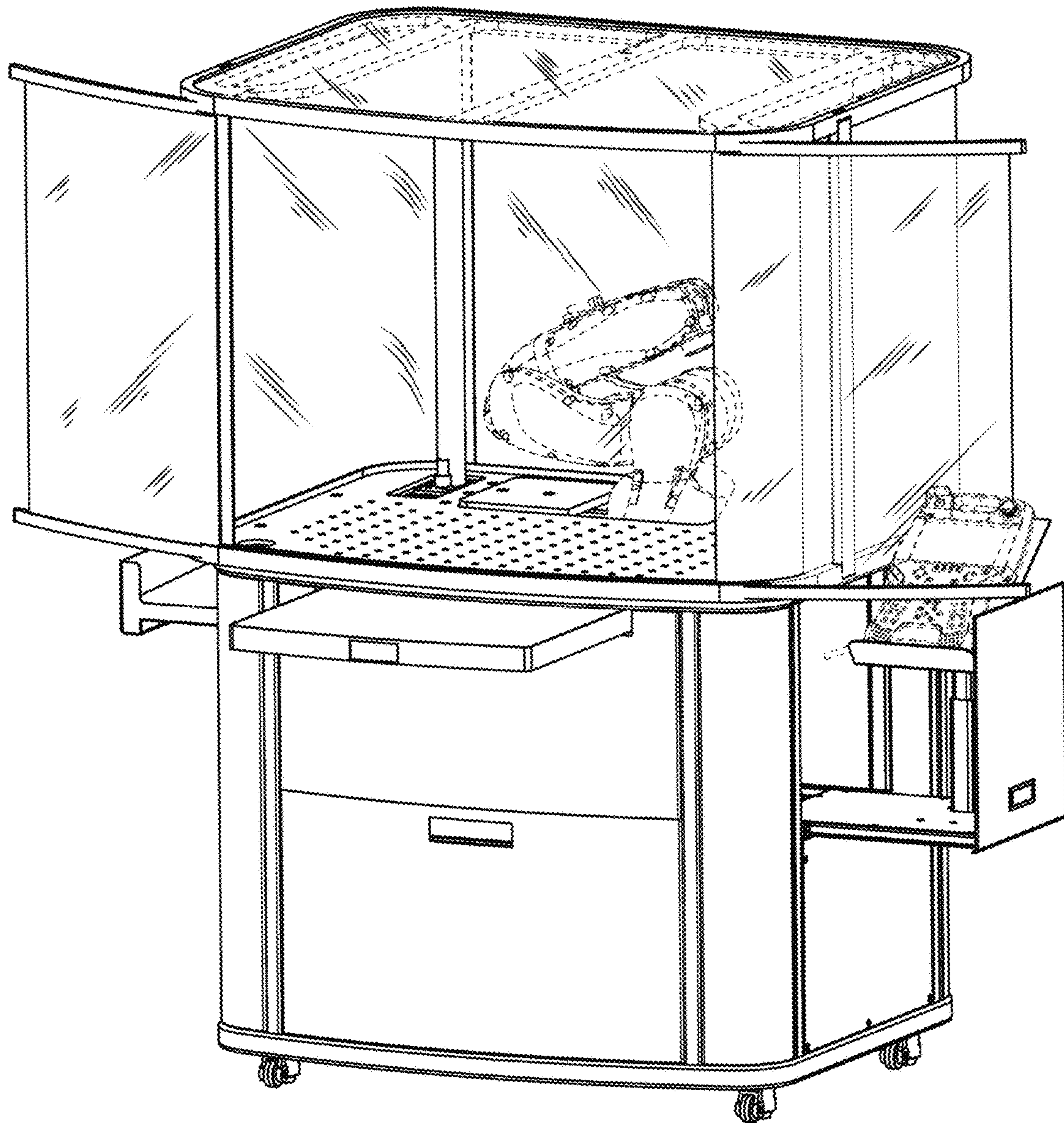


FIG. 1.1

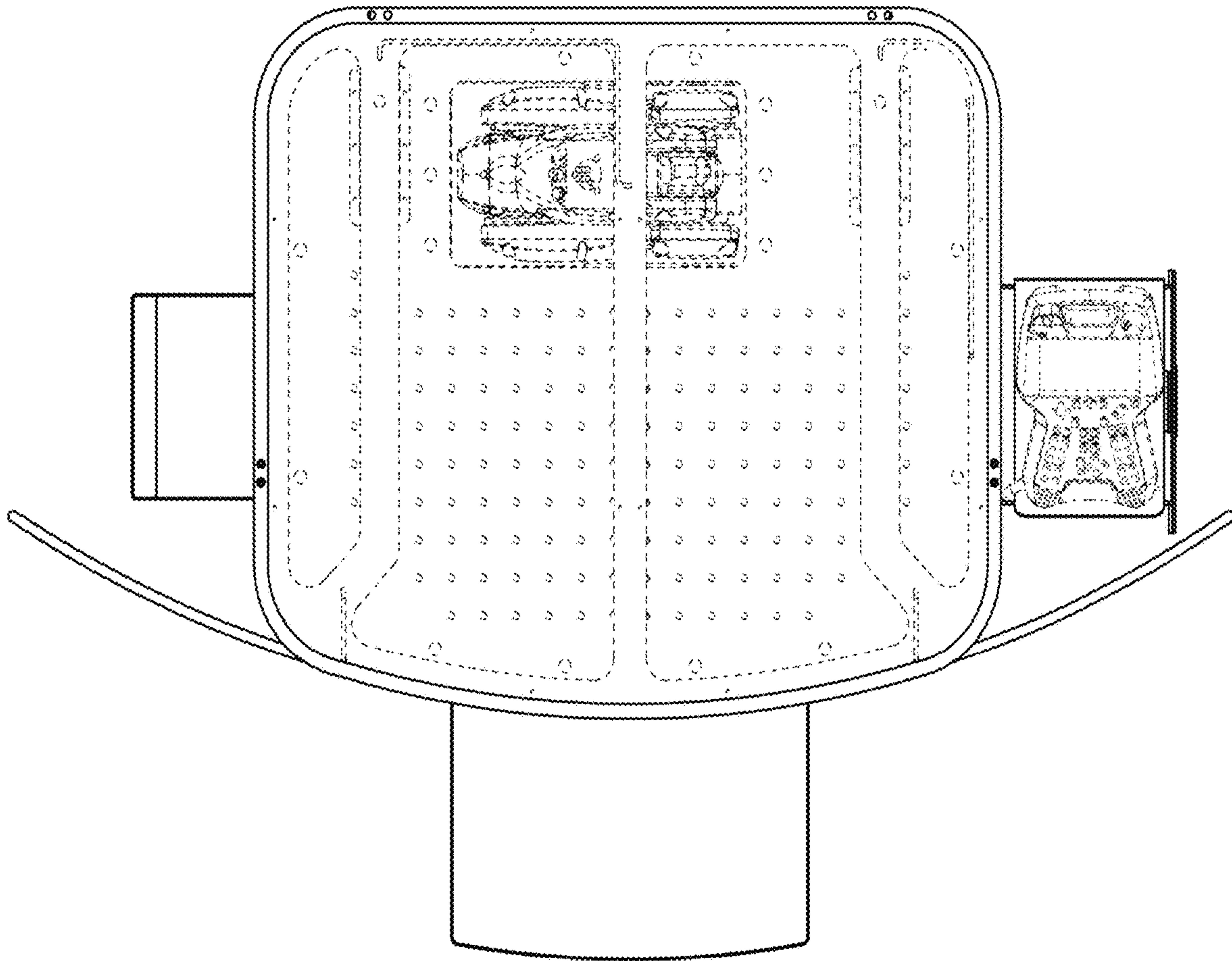


FIG. 1.2

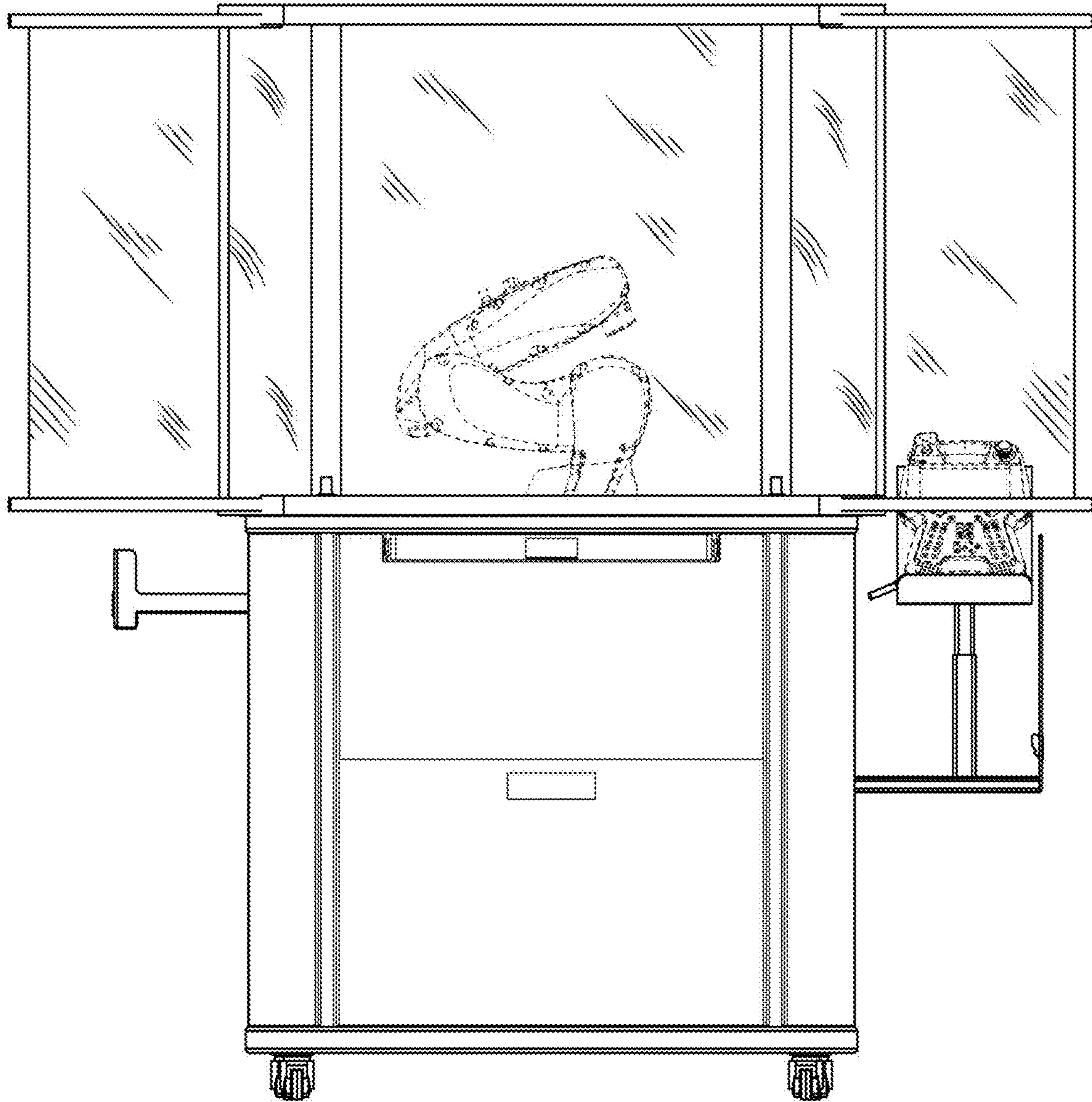


FIG. 1.3

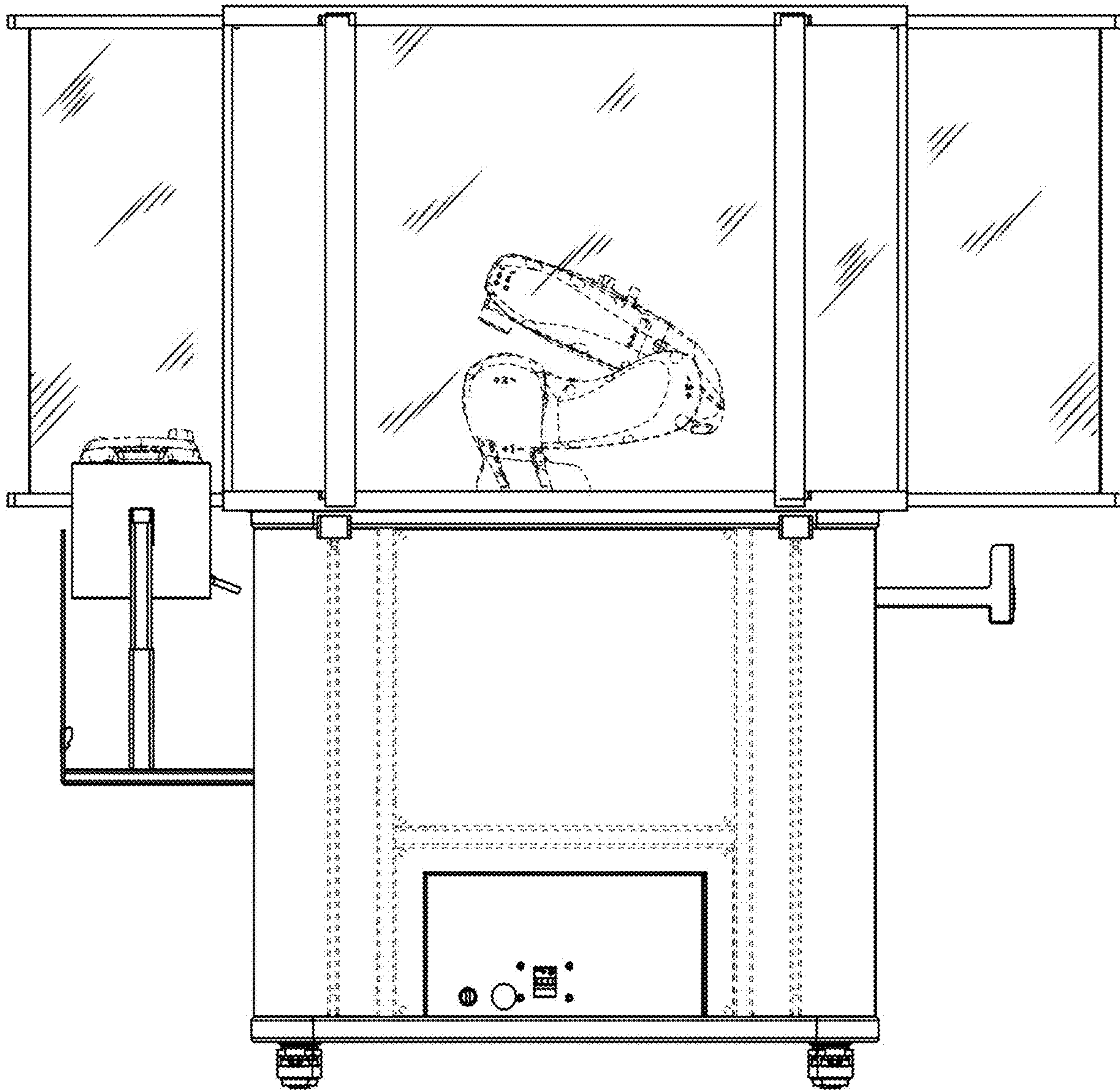


FIG. 1.4

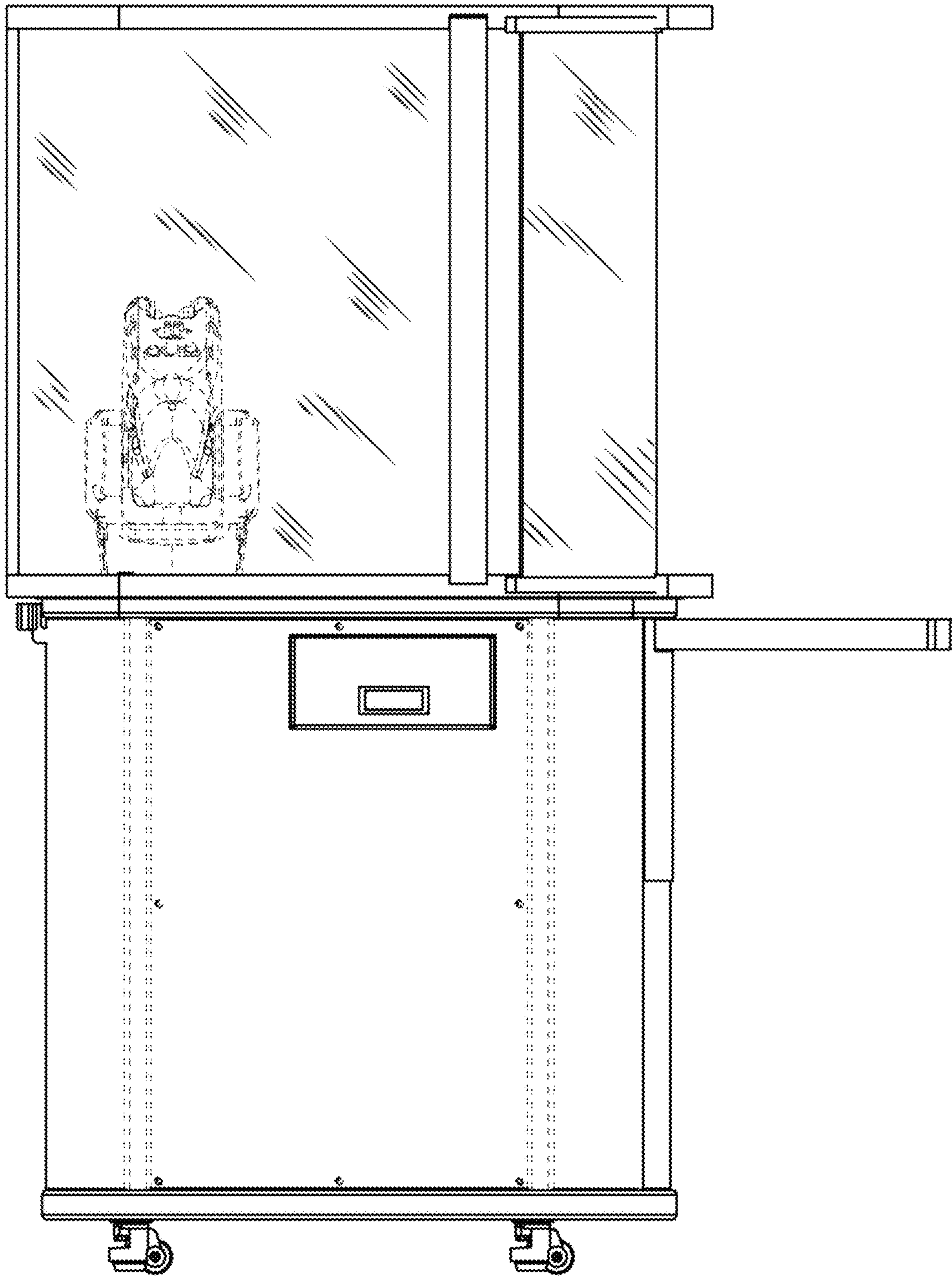


FIG. 1.5

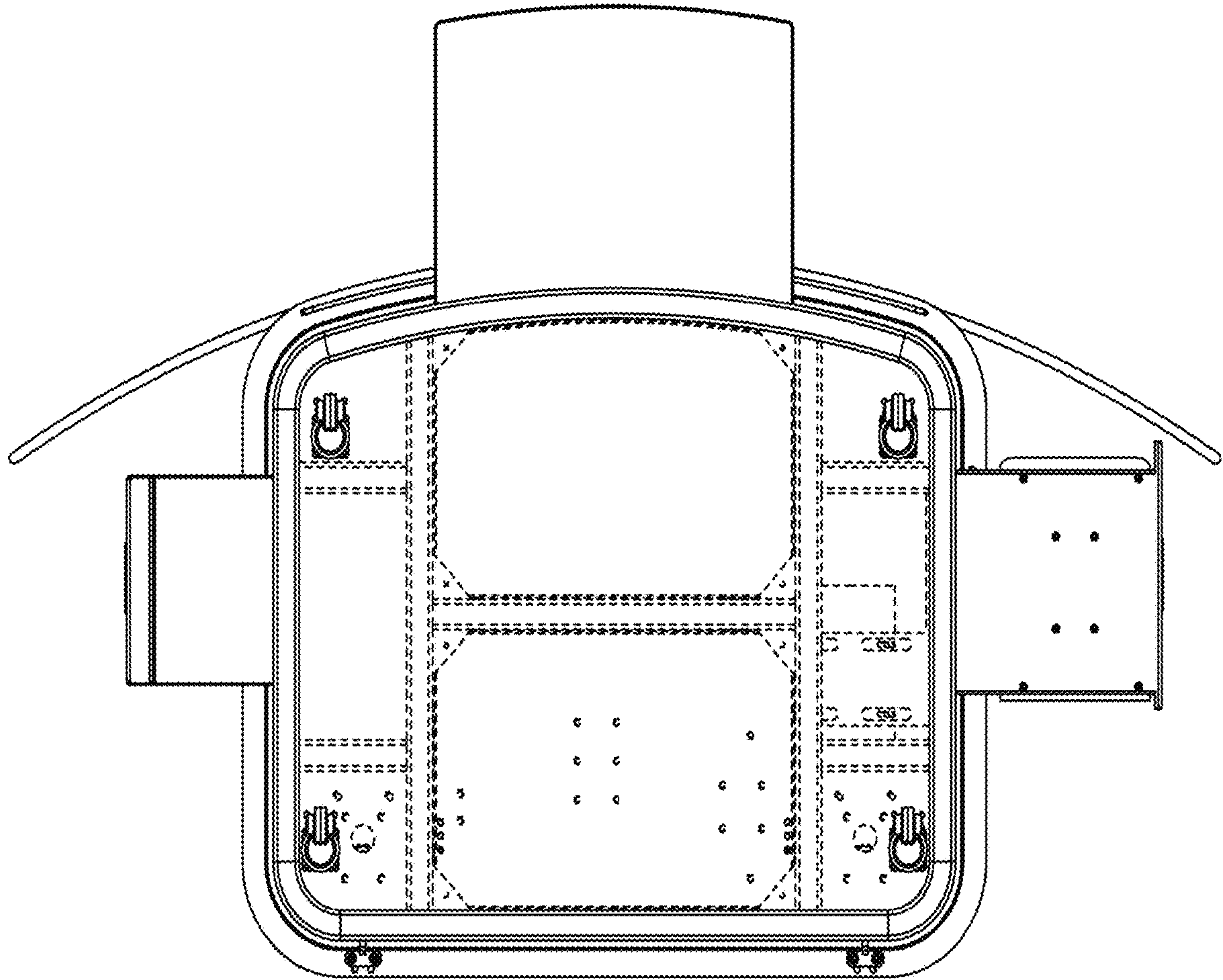


FIG. 1.6

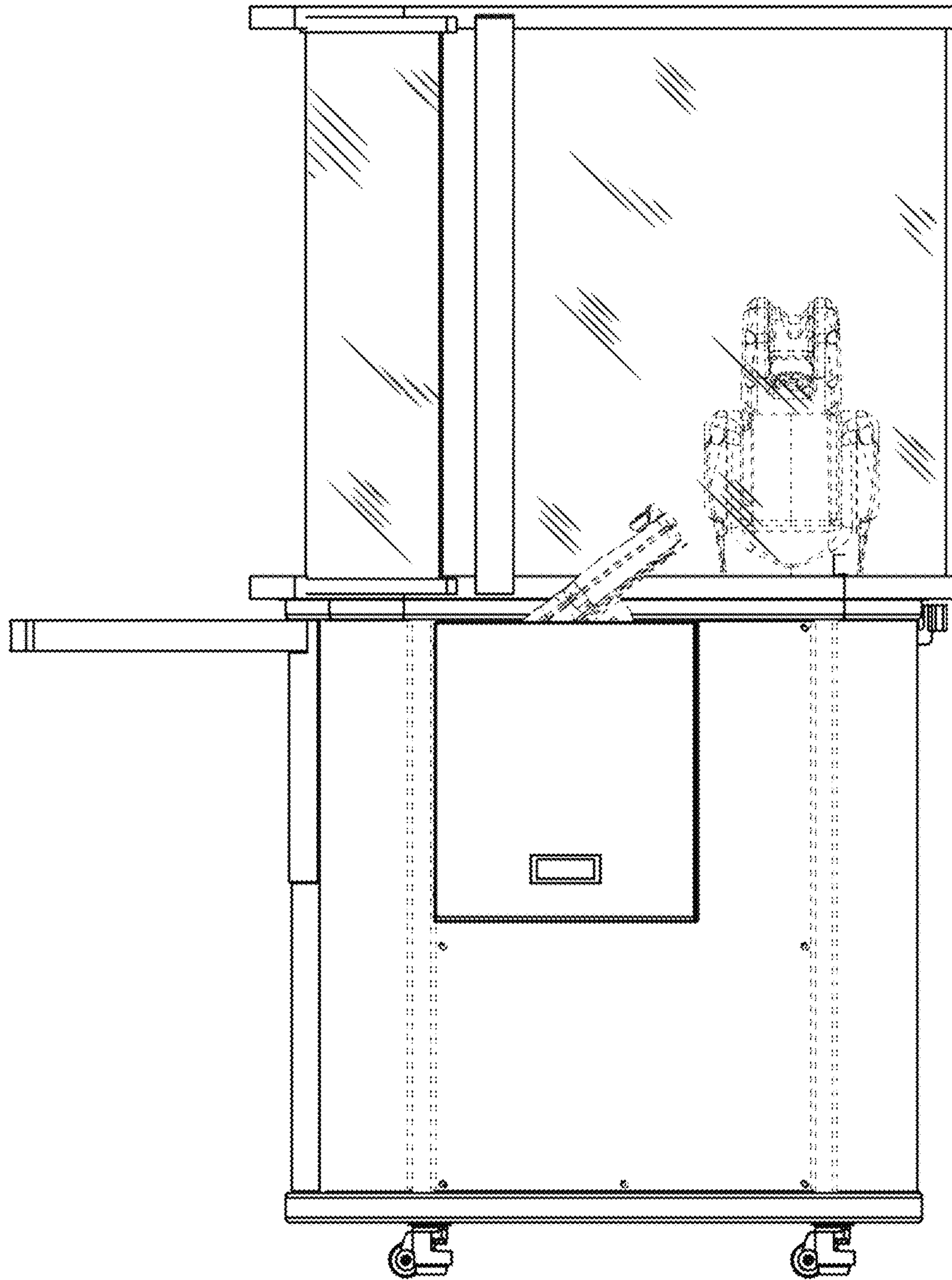


FIG. 1.7