



US00D822080S

(12) **United States Design Patent**
Oh et al.

(10) **Patent No.:** **US D822,080 S**
(45) **Date of Patent:** **** Jul. 3, 2018**

(54) **CUTTING INSERT**
(71) Applicant: **KORLOY INC.**, Seoul (KR)
(72) Inventors: **Min Seok Oh**, Cheongju-si (KR); **Ki Chan Nam**, Cheongju-si (KR); **Hyo San Kim**, Cheongju-si (KR); **Young Heum Kim**, Cheongju-si (KR)
(**) Term: **15 Years**
(21) Appl. No.: **35/502,901**
(22) Filed: **Mar. 15, 2017**
(80) **Hague Agreement Data**
Int. Filing Date: **Mar. 15, 2017**
Int. Reg. No.: **DM/095681**
Int. Reg. Date: **Mar. 15, 2017**
Int. Reg. Pub. Date: **Apr. 28, 2017**

(30) **Foreign Application Priority Data**
Dec. 13, 2016 (KR) 30-2016-0060252
(51) **LOC (11) Cl.** **19-09**
(52) **U.S. Cl.**
USPC **D15/139**
CPC **B23C 5/207 (2013.01)**
(58) **Field of Classification Search**
USPC D15/122-143; 407/42, 113-117
CPC B23C 5/207; B23C 5/109
See application file for complete search history.

(56) **References Cited**
U.S. PATENT DOCUMENTS
D304,949 S * 12/1989 Niebauer 407/114
D305,239 S * 12/1989 Niebauer 407/114
5,145,295 A * 9/1992 Satran B23C 5/2213
407/113

5,207,538 A * 5/1993 Satran B23C 5/2213
407/113
D342,269 S * 12/1993 Arai D15/139
D344,276 S * 2/1994 Markusson D15/139
D345,984 S * 4/1994 Ishikawa D15/139
D345,985 S * 4/1994 Ishikawa D15/139
D355,661 S * 2/1995 Hessman D15/139
D357,692 S * 4/1995 Ishikawa D15/139
D376,158 S * 12/1996 Hessman D15/139
D381,026 S * 7/1997 Hessman D15/139
D409,633 S * 5/1999 Bernadic D15/139
D422,608 S * 4/2000 Malaker D15/139
D425,086 S * 5/2000 Bernadic D15/139
D488,175 S * 4/2004 Kasperik D15/139
7,168,512 B2 * 1/2007 Schuffenhauer B23C 5/207
175/426
D585,467 S * 1/2009 Takanashi D15/139
D589,542 S * 3/2009 Takanashi D15/139
2015/0202697 A1 * 7/2015 Shiota B23C 5/109
407/42
2015/0246398 A1 * 9/2015 Kawasaki B23B 51/048
408/231

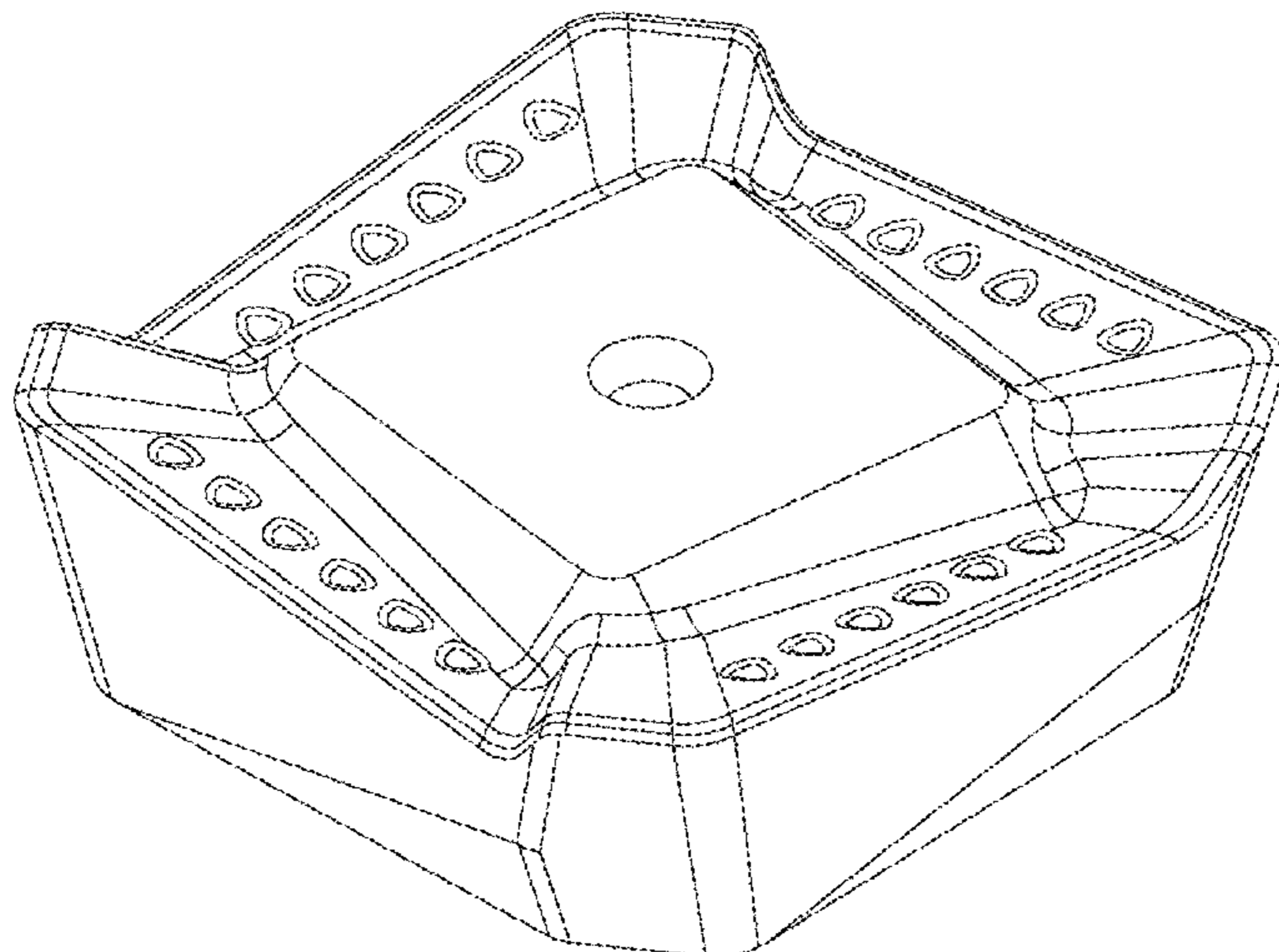
* cited by examiner

Primary Examiner — Richard E Chilcot

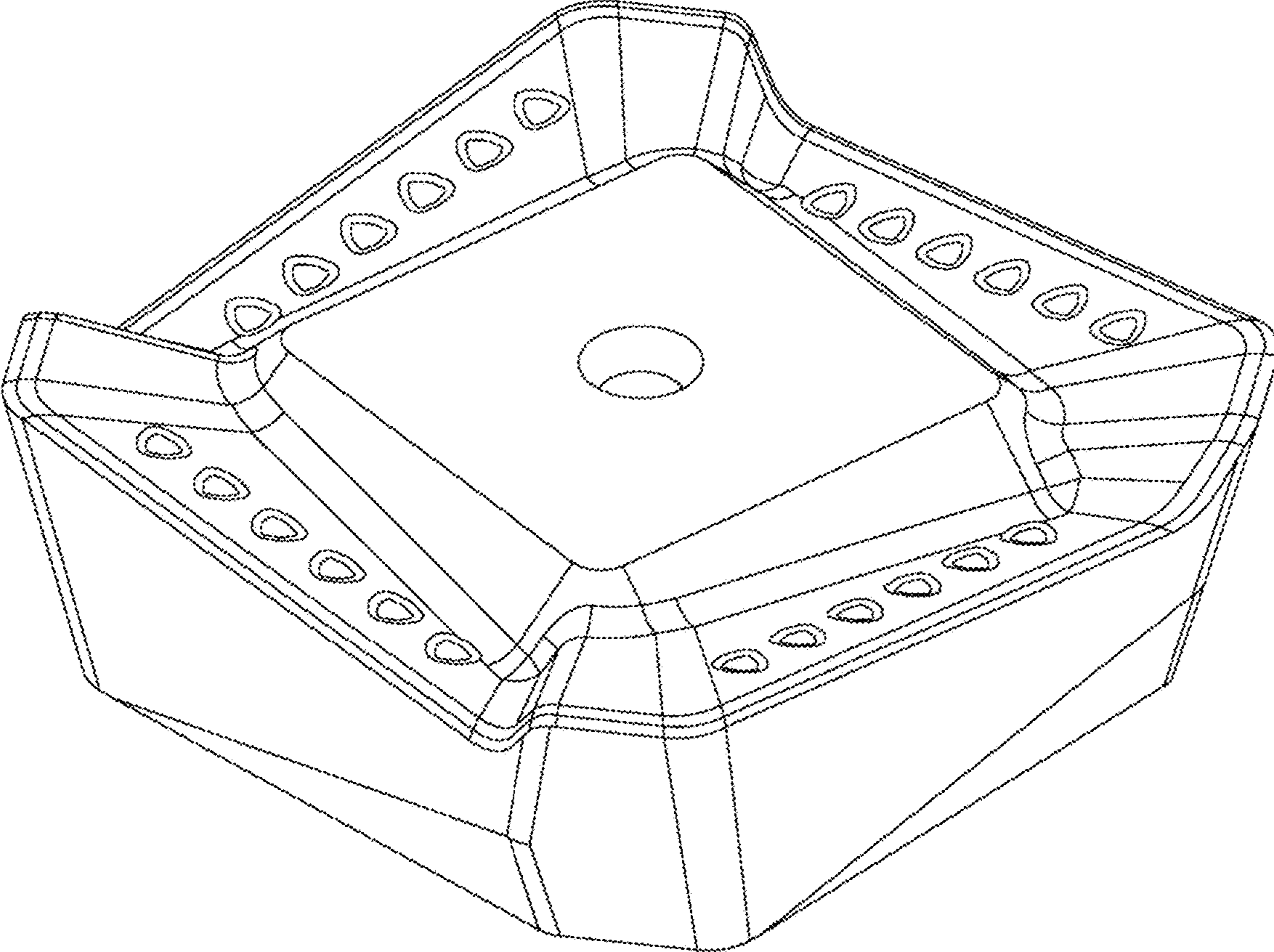
(57) **CLAIM**
The ornamental design for a cutting insert, as shown and described.

DESCRIPTION
1. Cutting insert
1.1 : Perspective
1.2 : Front
1.3 : Back
1.4 : Top
1.5 : Bottom
1.6 : Left
1.7 : Right
The article is made of cemented carbide; the claimed design relates to a cutting insert which is mounted in the cutting holder for processing the metallic workpiece.

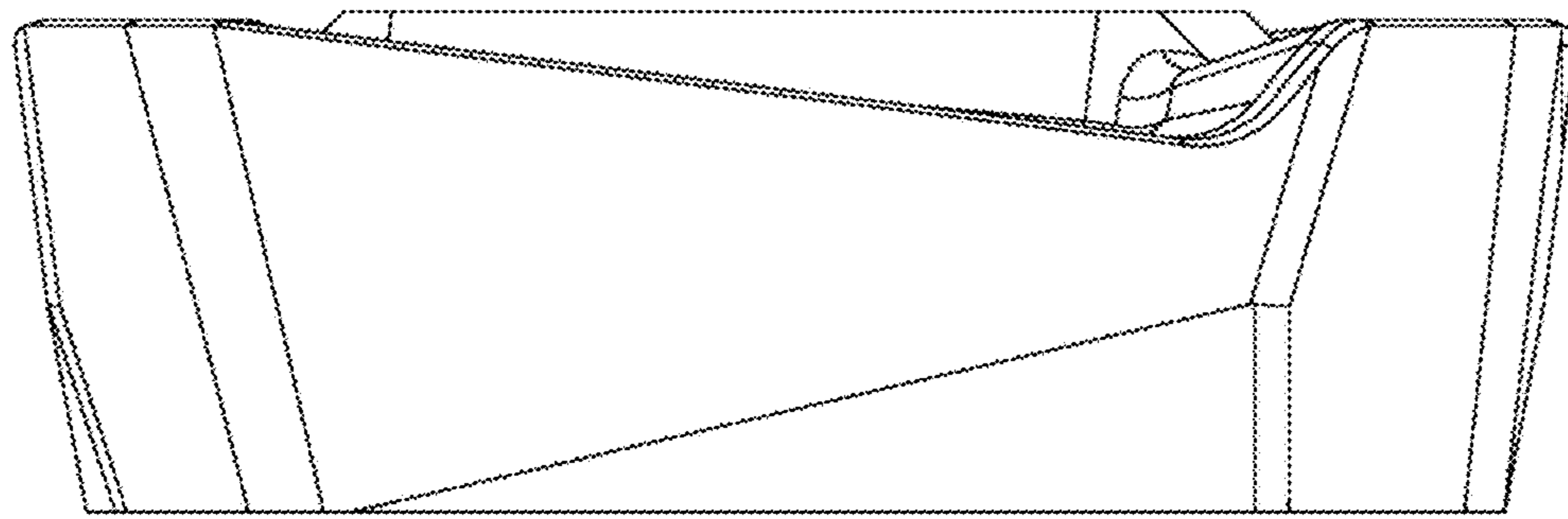
1 Claim, 7 Drawing Sheets



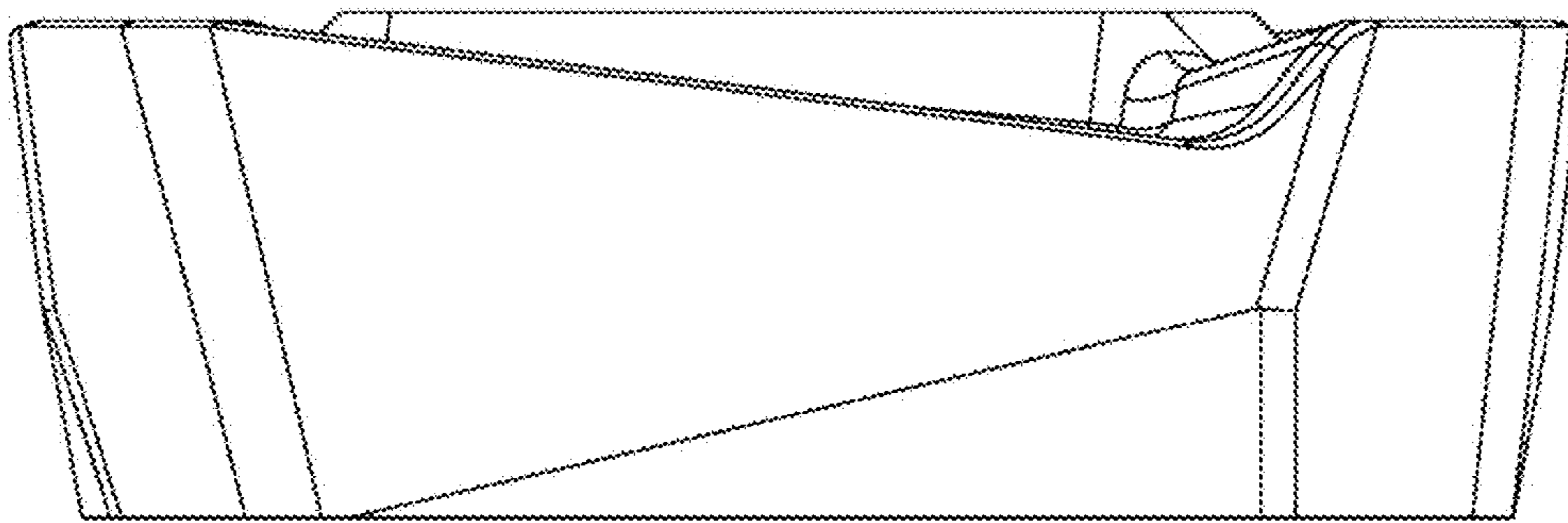
1.1



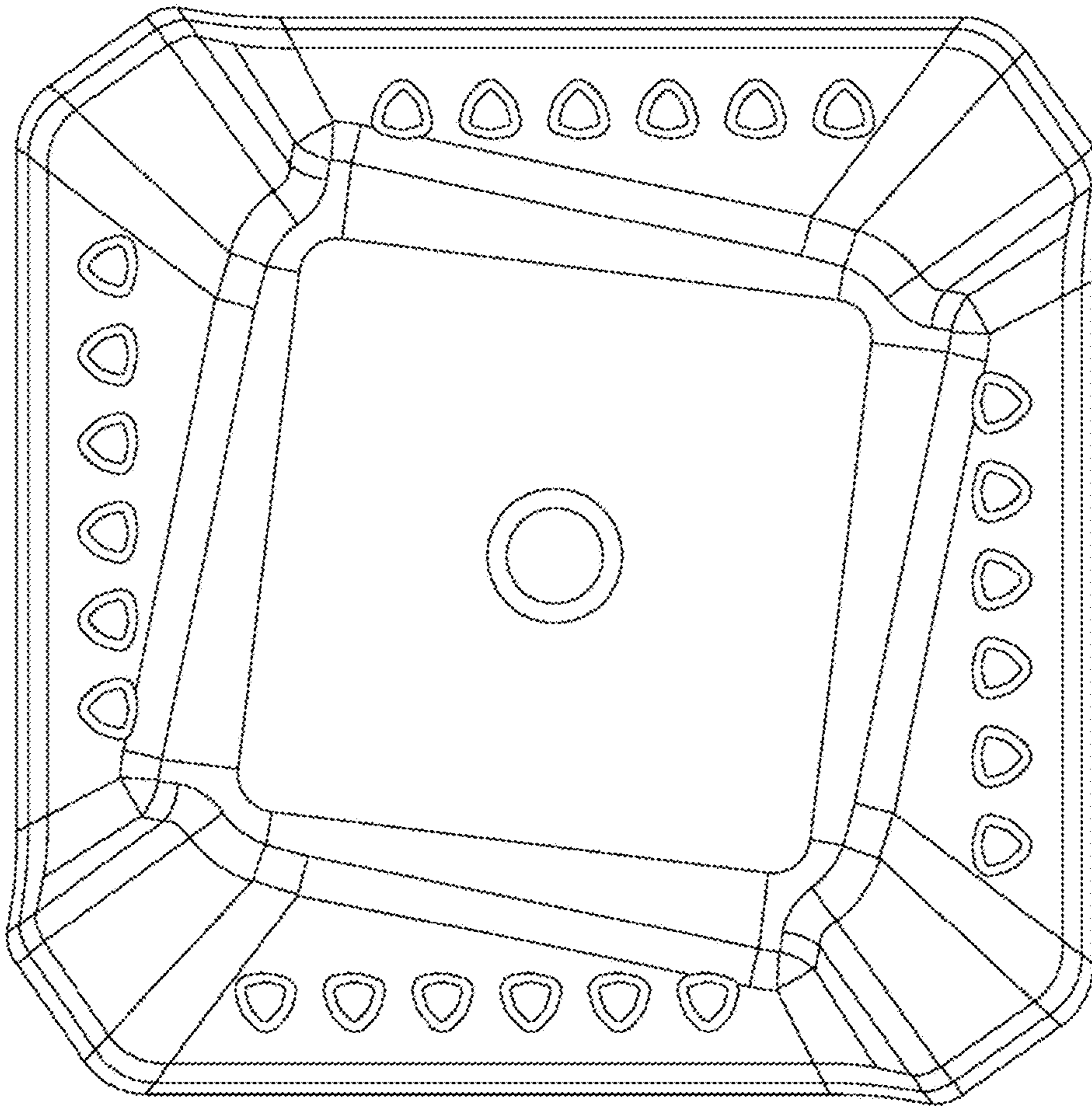
1.2



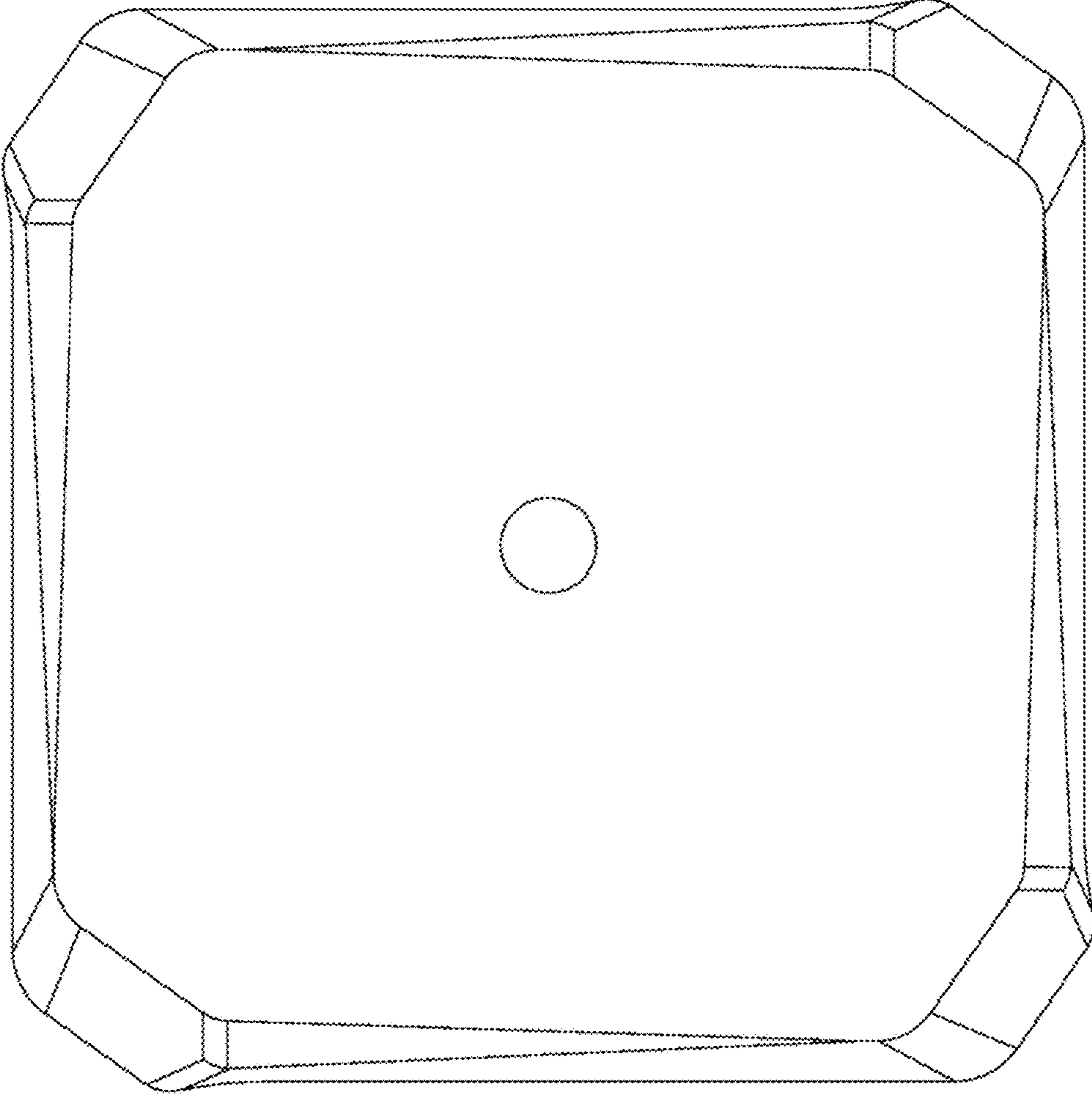
1.3



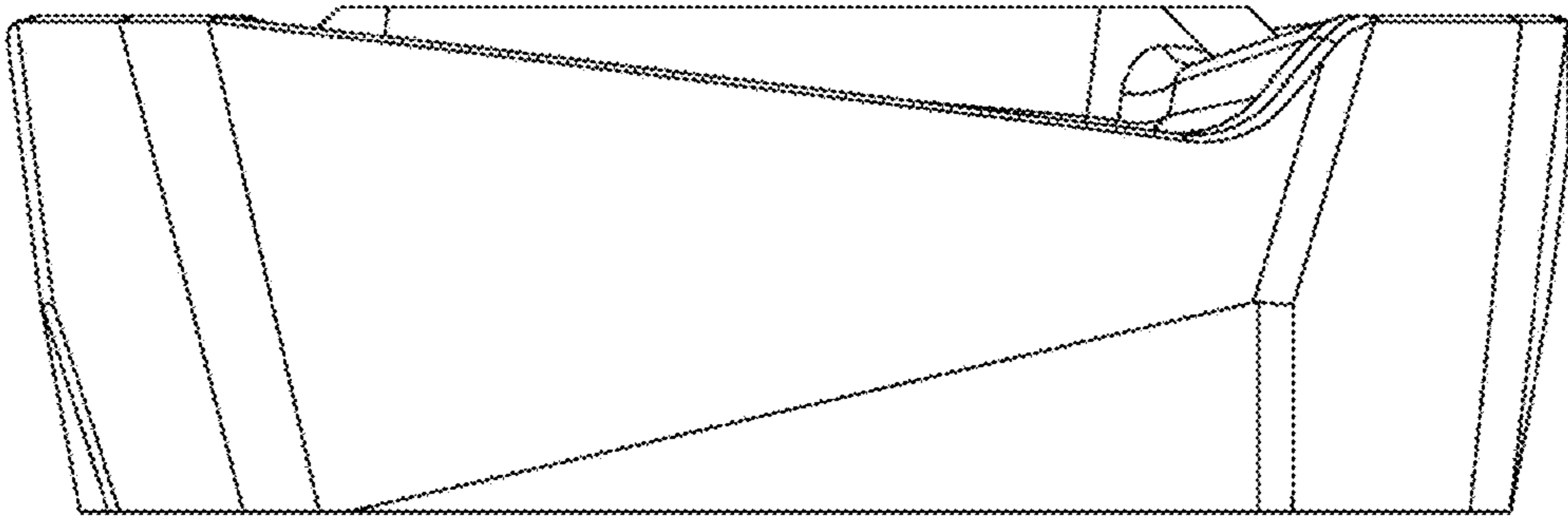
1.4



1.5



1.6



1.7

