



US00D822079S

(12) **United States Design Patent**
Lee et al.

(10) **Patent No.: US D822,079 S**
(45) **Date of Patent: ** Jul. 3, 2018**

(54) **CUTTING INSERT**
(71) Applicant: **KORLOY INC.**, Seoul (KR)
(72) Inventors: **Nam Seon Lee**, Cheongju-si (KR); **Hyo San Kim**, Cheongju-si (KR); **Ki Chan Nam**, Cheongju-si (KR); **Young Heum Kim**, Cheongju-si (KR)
(**) Term: **15 Years**
(21) Appl. No.: **35/502,866**
(22) Filed: **Mar. 15, 2017**
(80) **Hague Agreement Data**
Int. Filing Date: **Mar. 15, 2017**
Int. Reg. No.: **DM/095683**
Int. Reg. Date: **Mar. 15, 2017**
Int. Reg. Pub. Date: **Apr. 28, 2017**

(30) **Foreign Application Priority Data**
Dec. 2, 2016 (KR) 30-2016-0058298
(51) **LOC (11) Cl.** **15-09**
(52) **U.S. Cl.**
USPC **D15/139**
CPC **B23C 5/207 (2013.01)**
(58) **Field of Classification Search**
USPC D15/122-143; 407/42, 113-117
CPC B23C 5/207; B23C 5/109
See application file for complete search history.

(56) **References Cited**
U.S. PATENT DOCUMENTS
D363,727 S * 10/1995 DeRoche D15/139
D416,917 S * 11/1999 Xie D15/139

D442,193 S * 5/2001 Isaksson D15/139
D477,004 S * 7/2003 Arvidsson D15/139
D523,039 S * 6/2006 Niebauer D15/139
D638,452 S * 5/2011 Morrison D15/139
D640,717 S * 6/2011 Morrison D15/139
D658,218 S * 4/2012 Morrison D15/139
D673,194 S * 12/2012 Kovac D15/139
D709,110 S * 7/2014 Morrison D15/139
D710,409 S * 8/2014 Morrison D15/139
D710,917 S * 8/2014 Jung D15/139
2005/0244233 A1 * 11/2005 Jonsson B23B 27/1618
407/116
2009/0290946 A1 * 11/2009 Zastrozynski B23B 27/141
407/114
2010/0034602 A1 * 2/2010 Sung B23B 27/141
407/113
2010/0239379 A1 * 9/2010 Choi B23C 5/06
407/114
2011/0116878 A1 * 5/2011 Ebert B23C 5/207
407/103

* cited by examiner

Primary Examiner — Richard E Chilcot

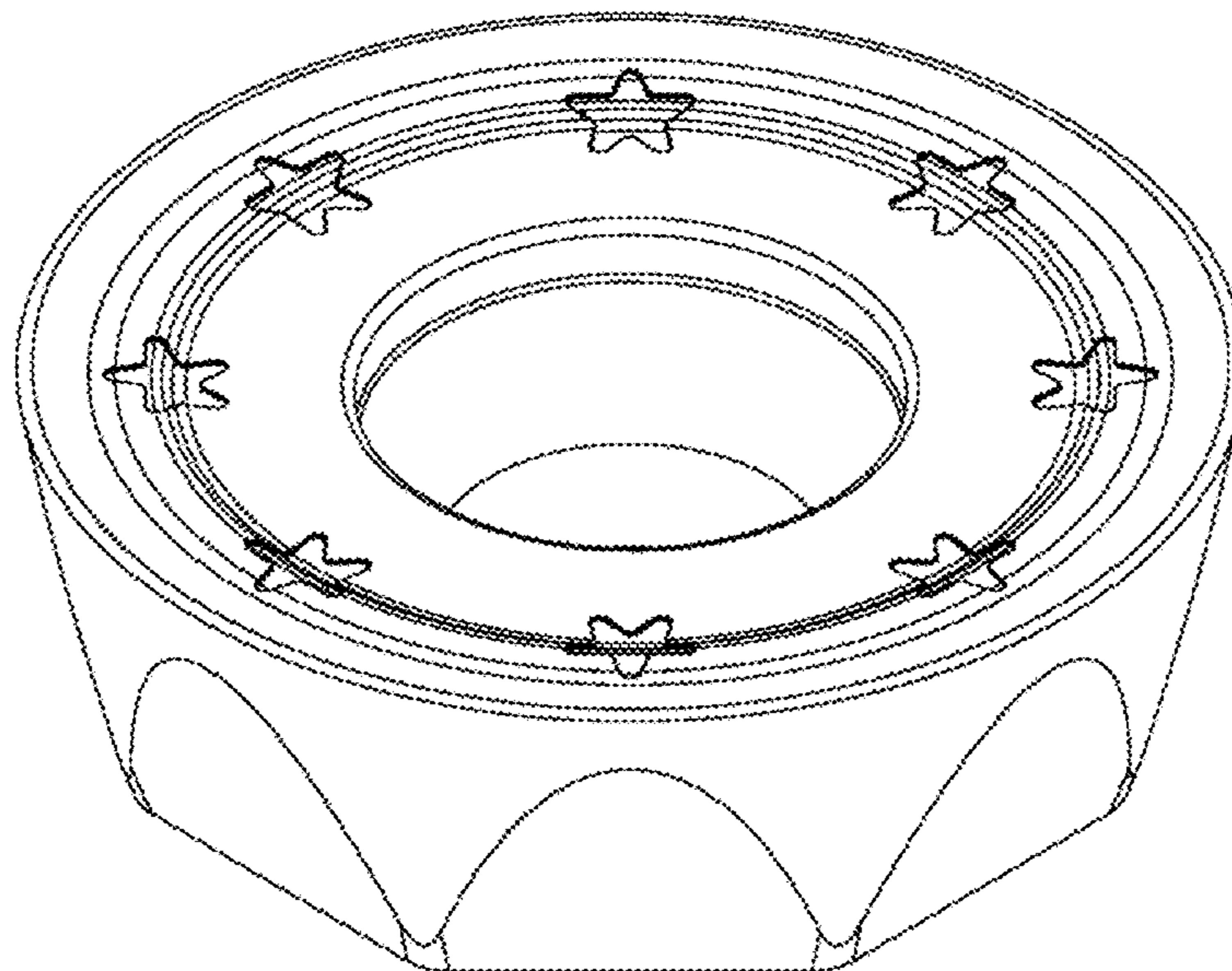
(57) **CLAIM**

The ornamental design for a cutting insert, as shown and described.

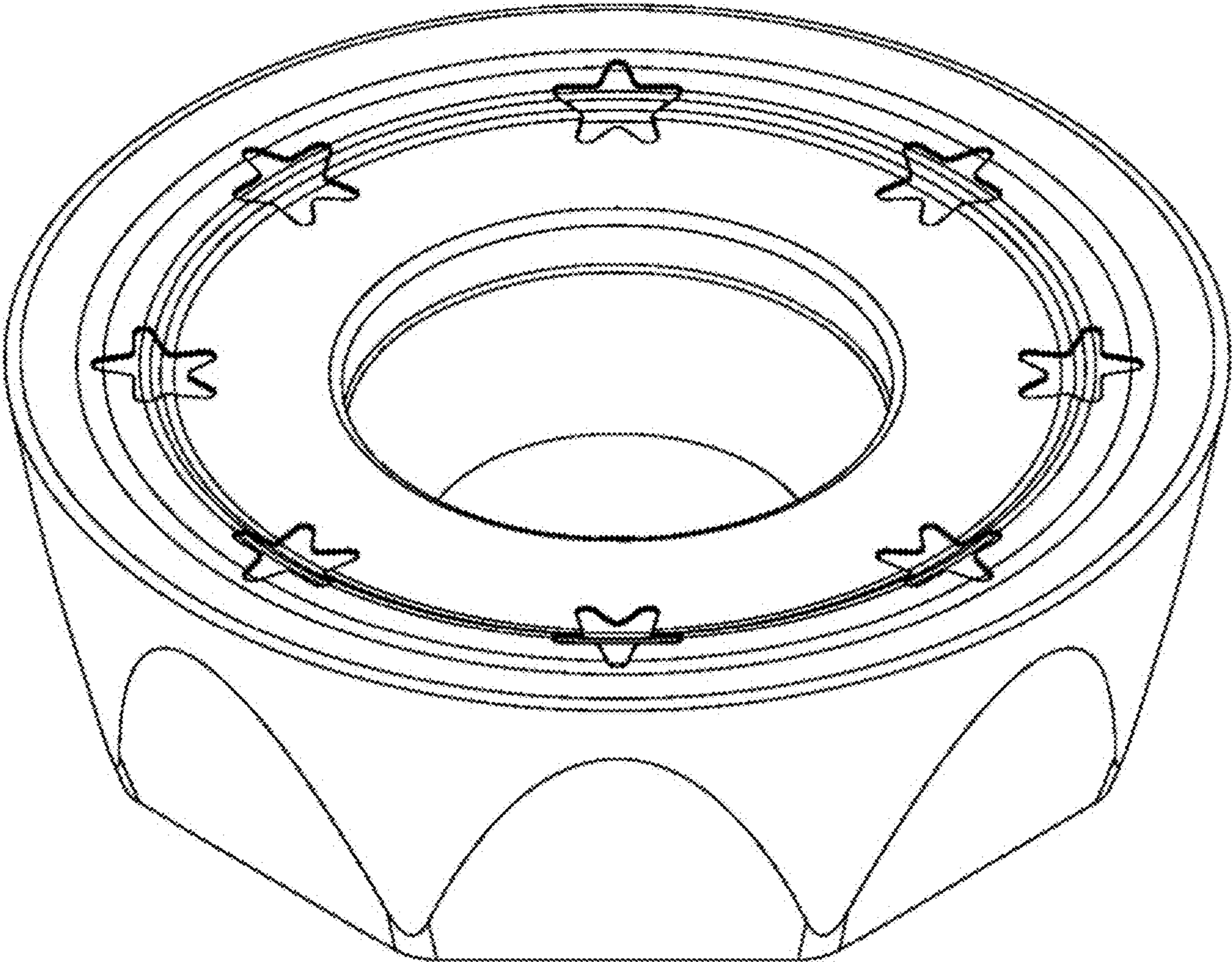
DESCRIPTION

- 1. Cutting insert
- 1.1 : Perspective
- 1.2 : Front
- 1.3 : Back
- 1.4 : Top
- 1.5 : Bottom
- 1.6 : Left
- 1.7 : Right

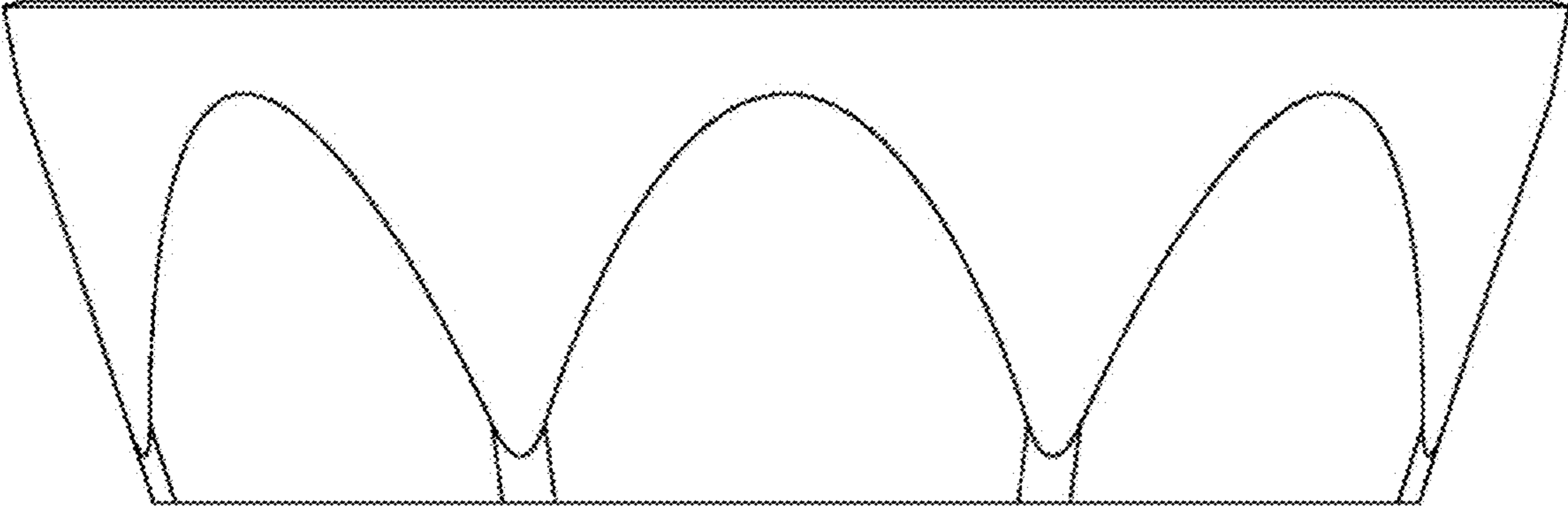
1 Claim, 7 Drawing Sheets



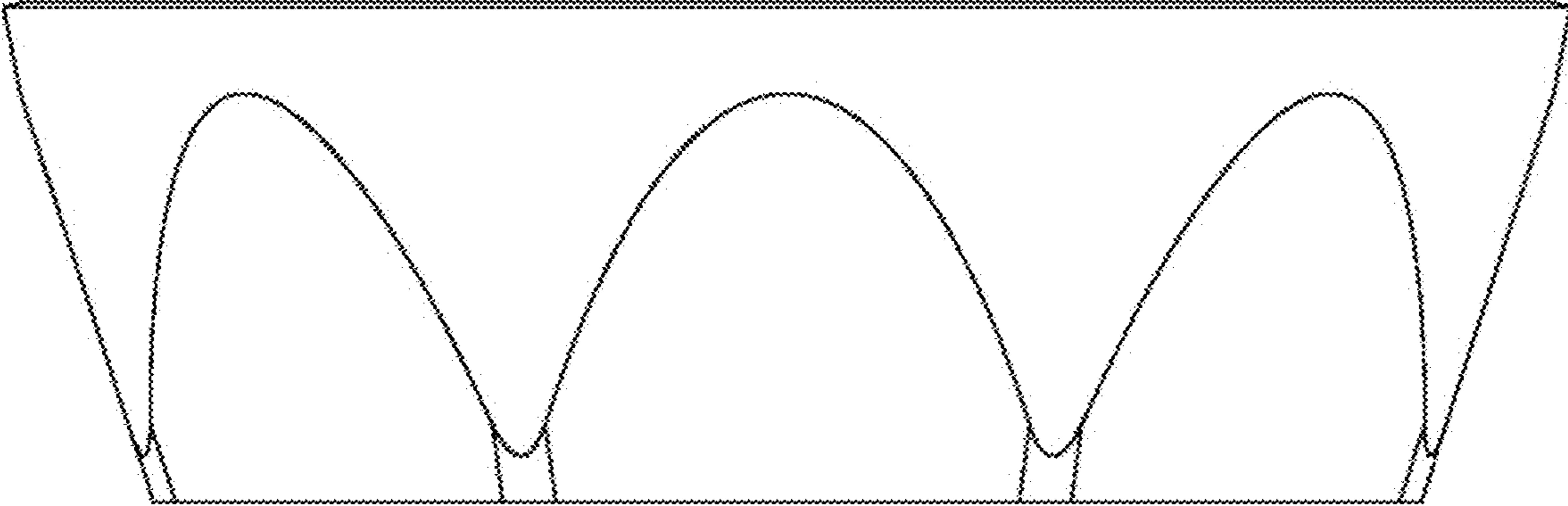
1.1



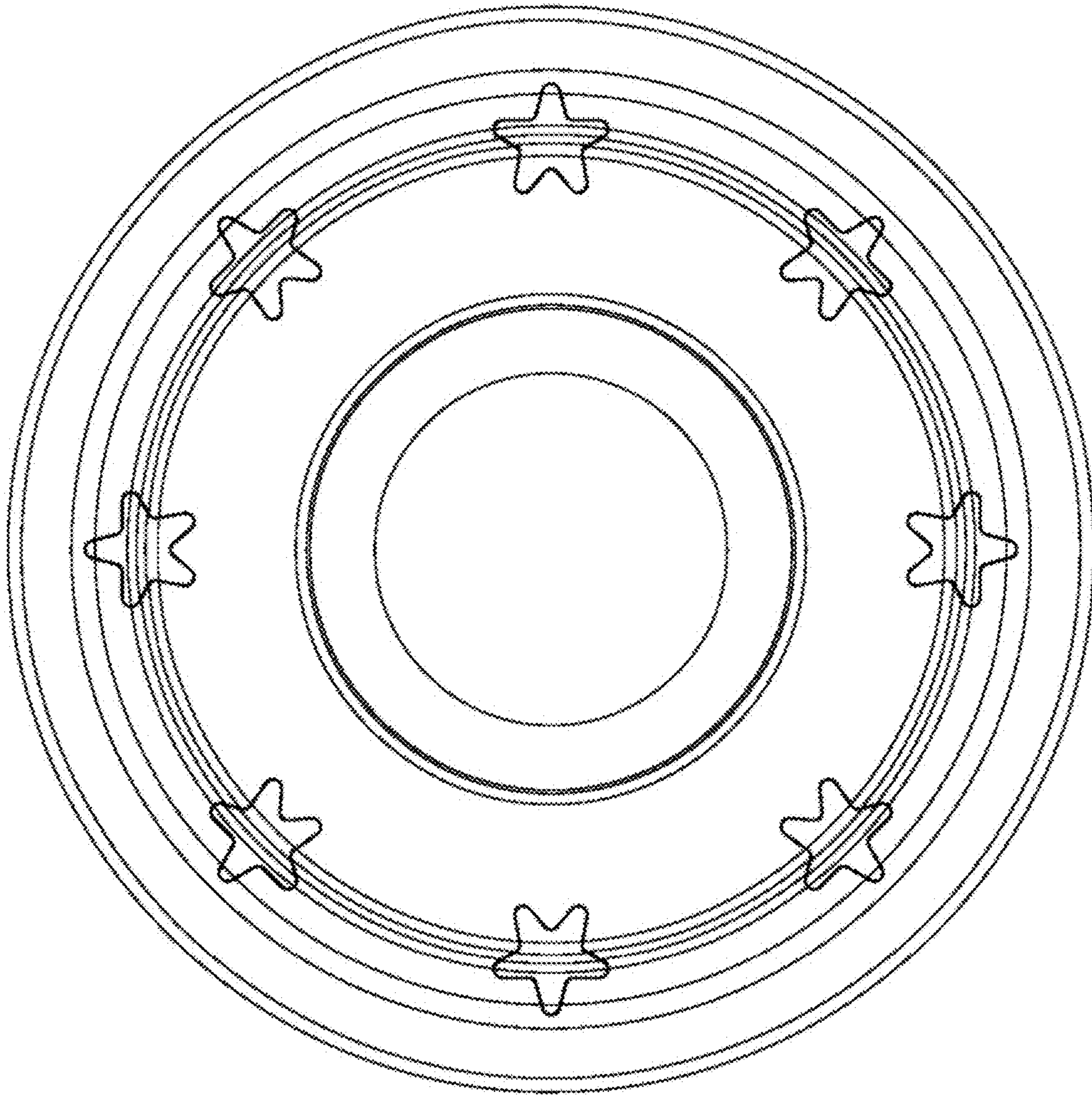
1.2



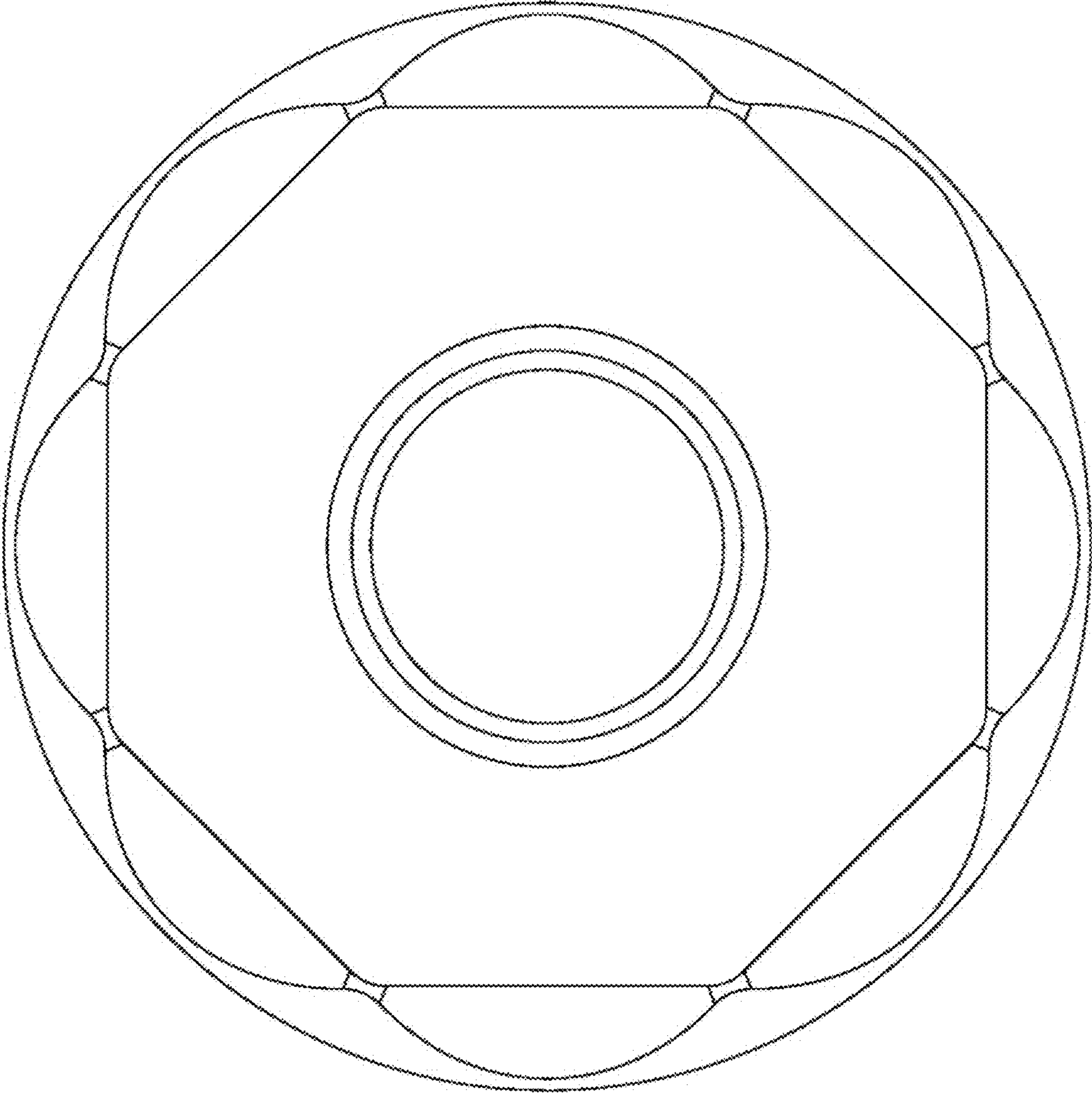
1.3



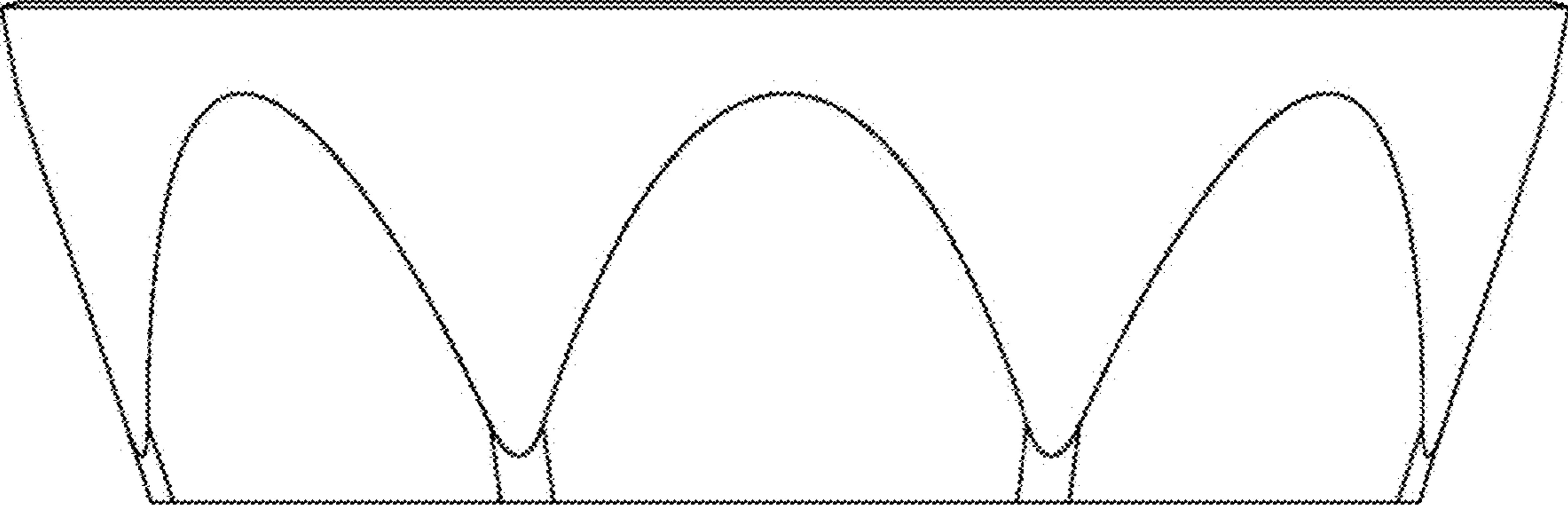
1.4



1.5



1.6



1.7

