



US00D822077S

(12) **United States Design Patent**
Takahashi

(10) **Patent No.:** **US D822,077 S**
(45) **Date of Patent:** **** Jul. 3, 2018**

(54) **CUTTING INSERT**

B23C 5/2427; B23C 2200/0422; B23C
2200/08; B23C 2200/086; B23C
2200/123

(71) Applicant: **Mitsubishi Hitachi Tool Engineering,
Ltd., Tokyo (JP)**

See application file for complete search history.

(72) Inventor: **Hayato Takahashi, Chiba (JP)**

(56) **References Cited**

(73) Assignee: **Mitsubishi Hitachi Tool Engineering,
Ltd., Tokyo (JP)**

U.S. PATENT DOCUMENTS

(**) Term: **15 Years**

D344,276 S *	2/1994	Markusson	D15/139
D487,759 S *	3/2004	Kasperik	D15/139
D488,175 S *	4/2004	Kasperik	D15/139
D710,917 S *	8/2014	Jung	D15/139
D714,849 S *	10/2014	Choi	D15/139
D744,557 S *	12/2015	Koike	D15/139
D771,726 S *	11/2016	Nam	D15/139
D805,564 S *	12/2017	Lee	D15/139

(21) Appl. No.: **29/604,510**

(22) Filed: **May 18, 2017**

* cited by examiner

(51) **LOC (11) Cl.** **15-03**

(52) **U.S. Cl.**

USPC **D15/139**

(58) **Field of Classification Search**

USPC D15/124-144; D8/70, 90, 98, 120
CPC B23C 2200/0411; B23C 2200/0416; B23C
2200/0433; B23C 2200/164; B23C
2200/361; B23C 2210/0457; B23C 5/006;
B23C 2200/168; B23C 2210/163; B23C
2226/125; B23C 5/10; B23C 2200/081;
B23C 2200/087; B23C 2200/161; B23C
2200/206; B23C 2210/02; B23C 2210/03;
B23C 2210/166; B23C 2210/50; B23C
2226/315; B23C 5/2208; B23C 5/2472;
B23C 2200/0477; B23C 2200/0483;
B23C 2200/083; B23C 2200/121; B23C
2200/362; B23C 2210/0428; B23C
2210/0435; B23C 2210/16; B23C
2220/36; B23C 2220/44; B23C 2240/08;
B23C 2250/12; B23C 2270/06; B23C
5/2204; B23C 5/2213; B23C 5/2247;

Primary Examiner — Ian Simmons

Assistant Examiner — Khawaja Anwar

(74) *Attorney, Agent, or Firm* — Banner & Witcoff, Ltd.

(57) **CLAIM**

The ornamental design for a cutting insert, as shown and described.

DESCRIPTION

FIG. 1 is a front perspective view of a cutting insert.
FIG. 2 is a rear perspective view thereof.
FIG. 3 is a front elevation view thereof.
FIG. 4 is a rear elevation view thereof.
FIG. 5 is a top plan view thereof.
FIG. 6 is a bottom plan view thereof.
FIG. 7 is a right side elevation view thereof; and,
FIG. 8 is a left side elevation view thereof.
The broken lines shown in the drawings illustrate portions of the cutting insert that form no part of the claimed design.

1 Claim, 8 Drawing Sheets

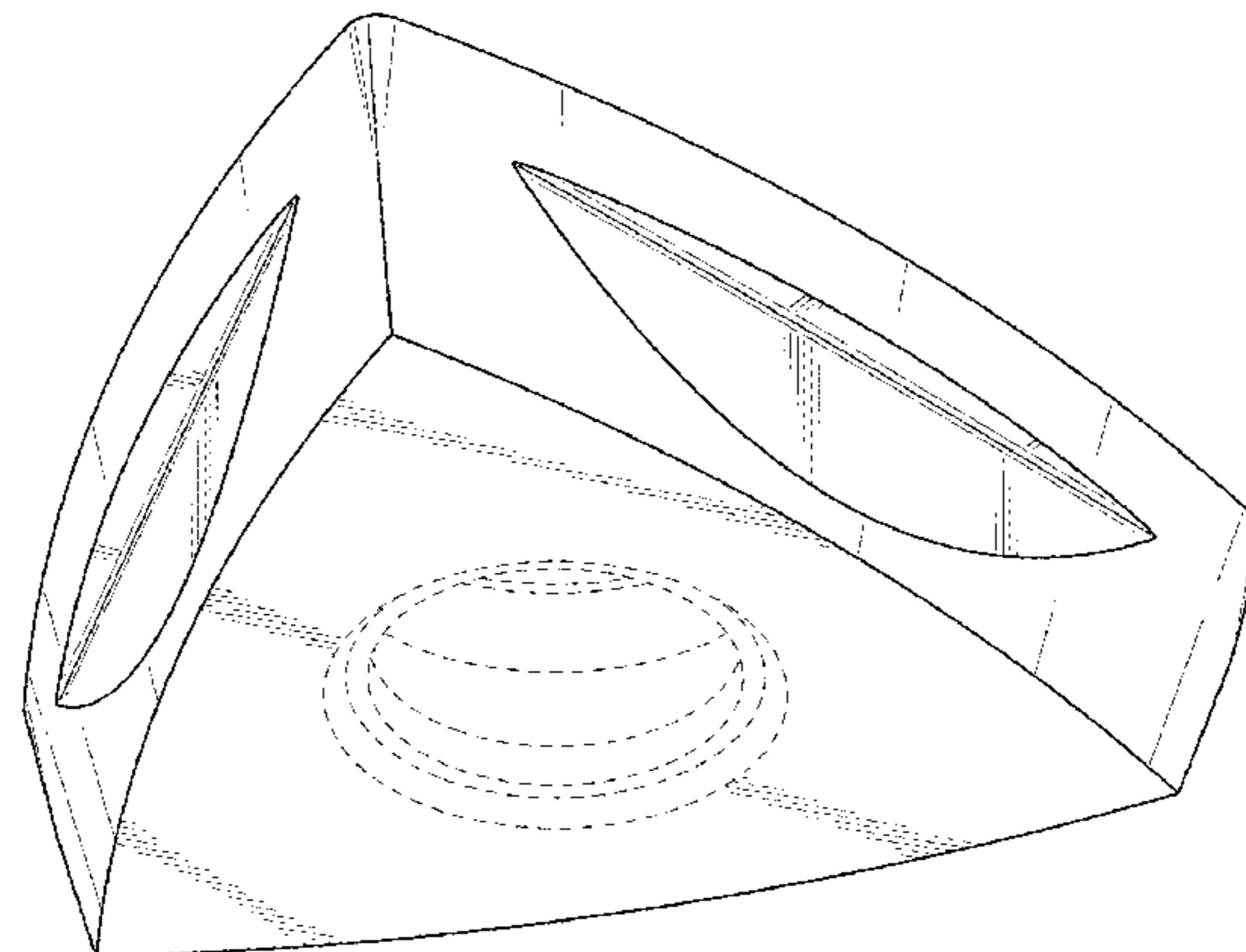
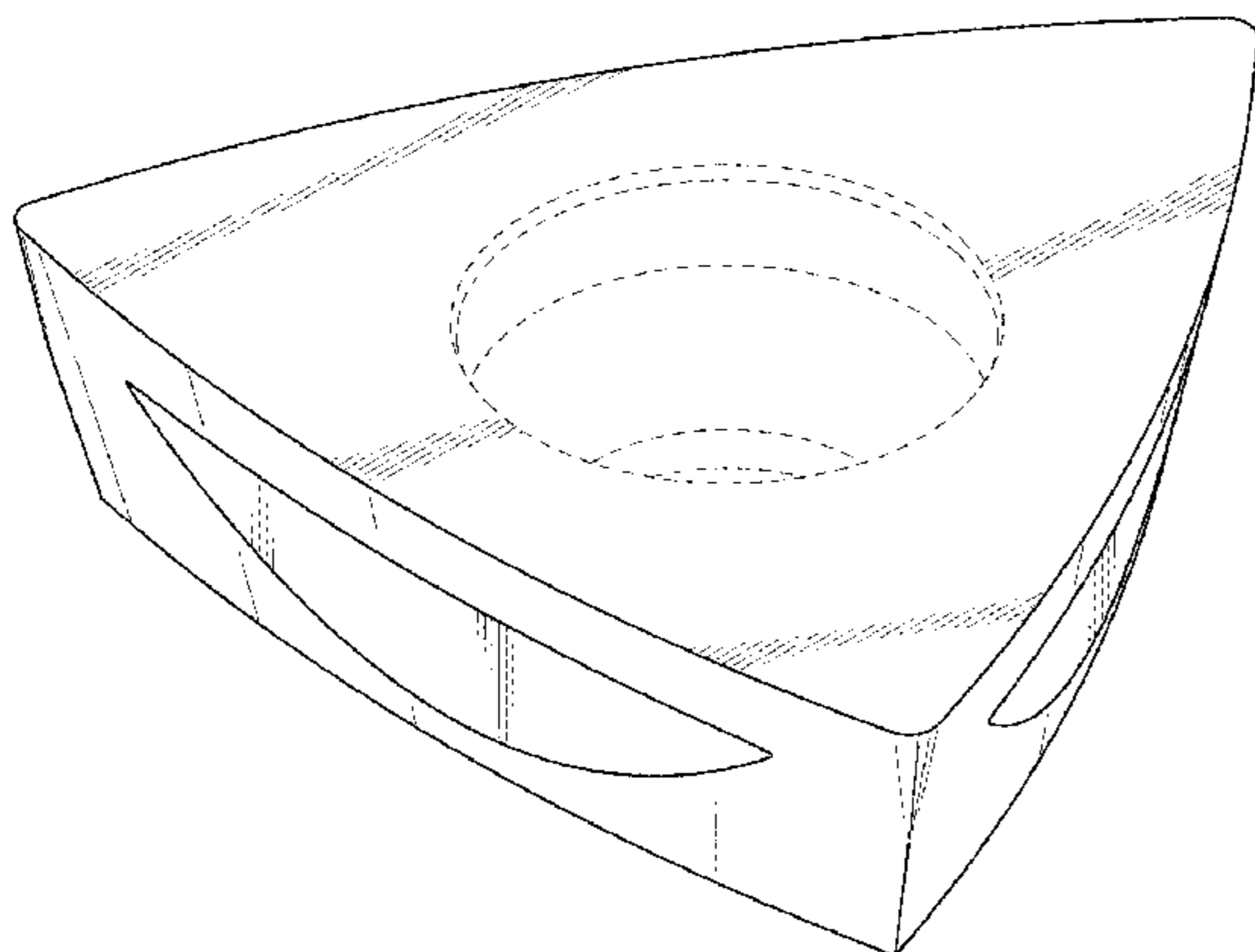


FIG. 1

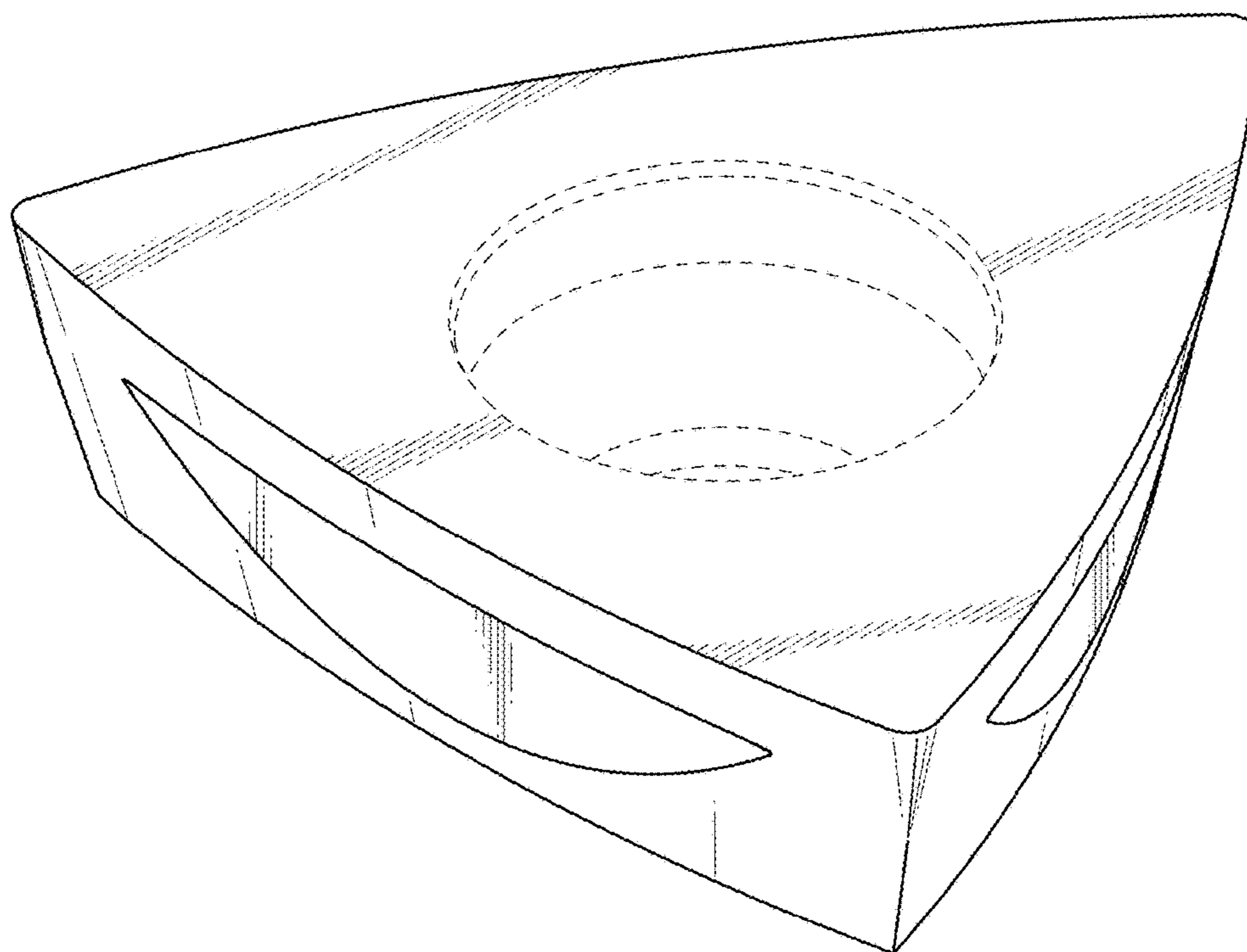


FIG. 2

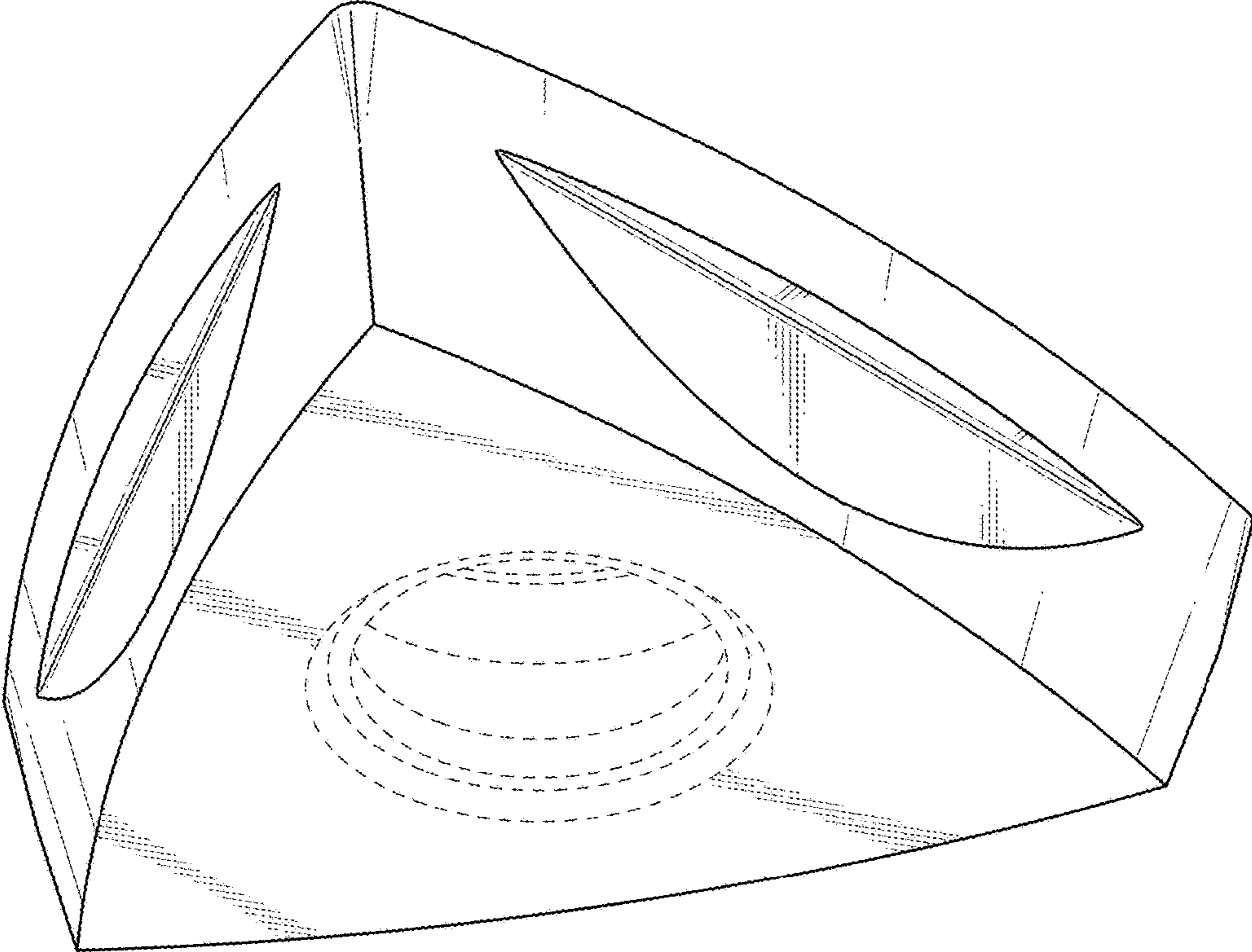


FIG. 3

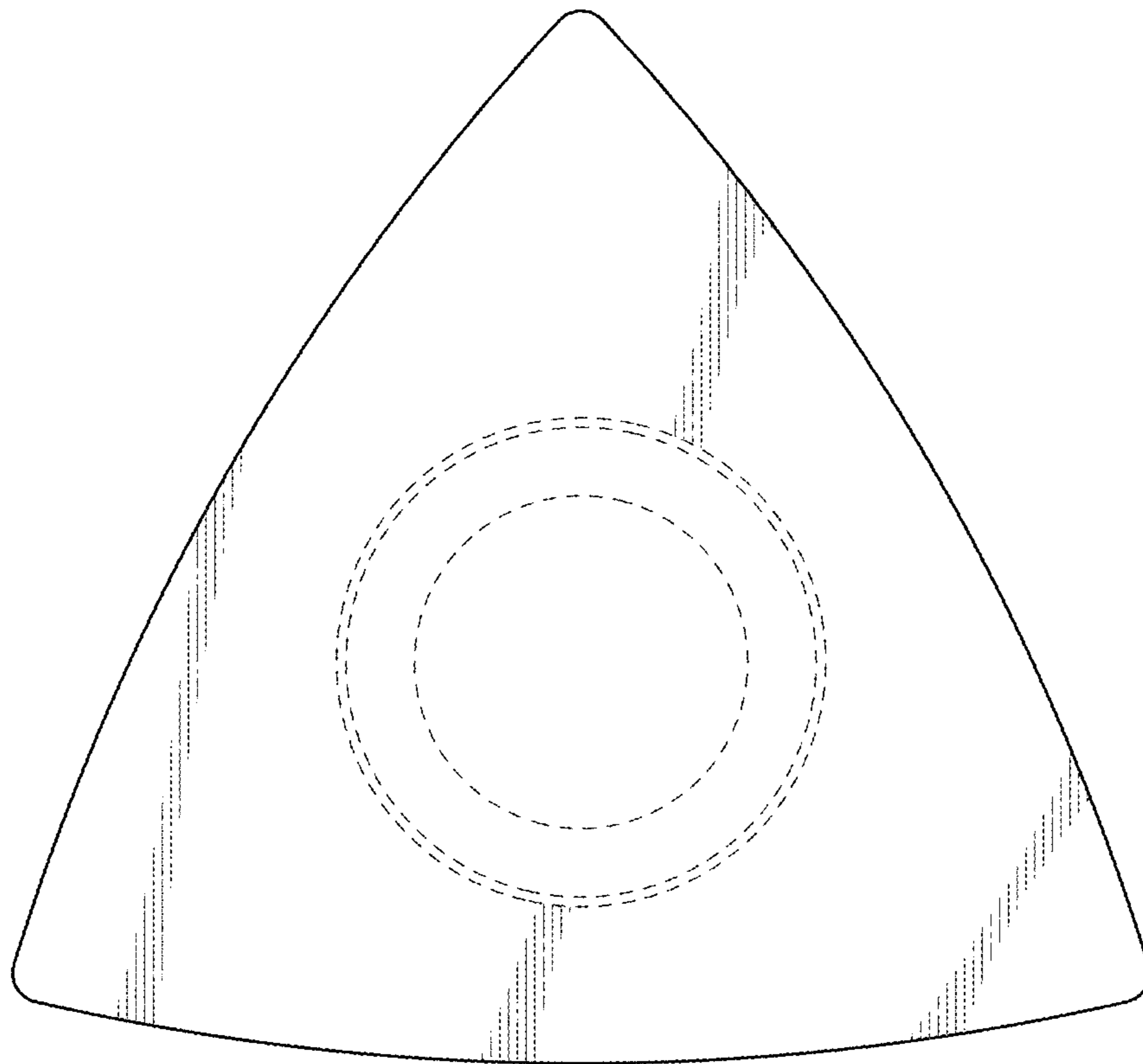


FIG. 4

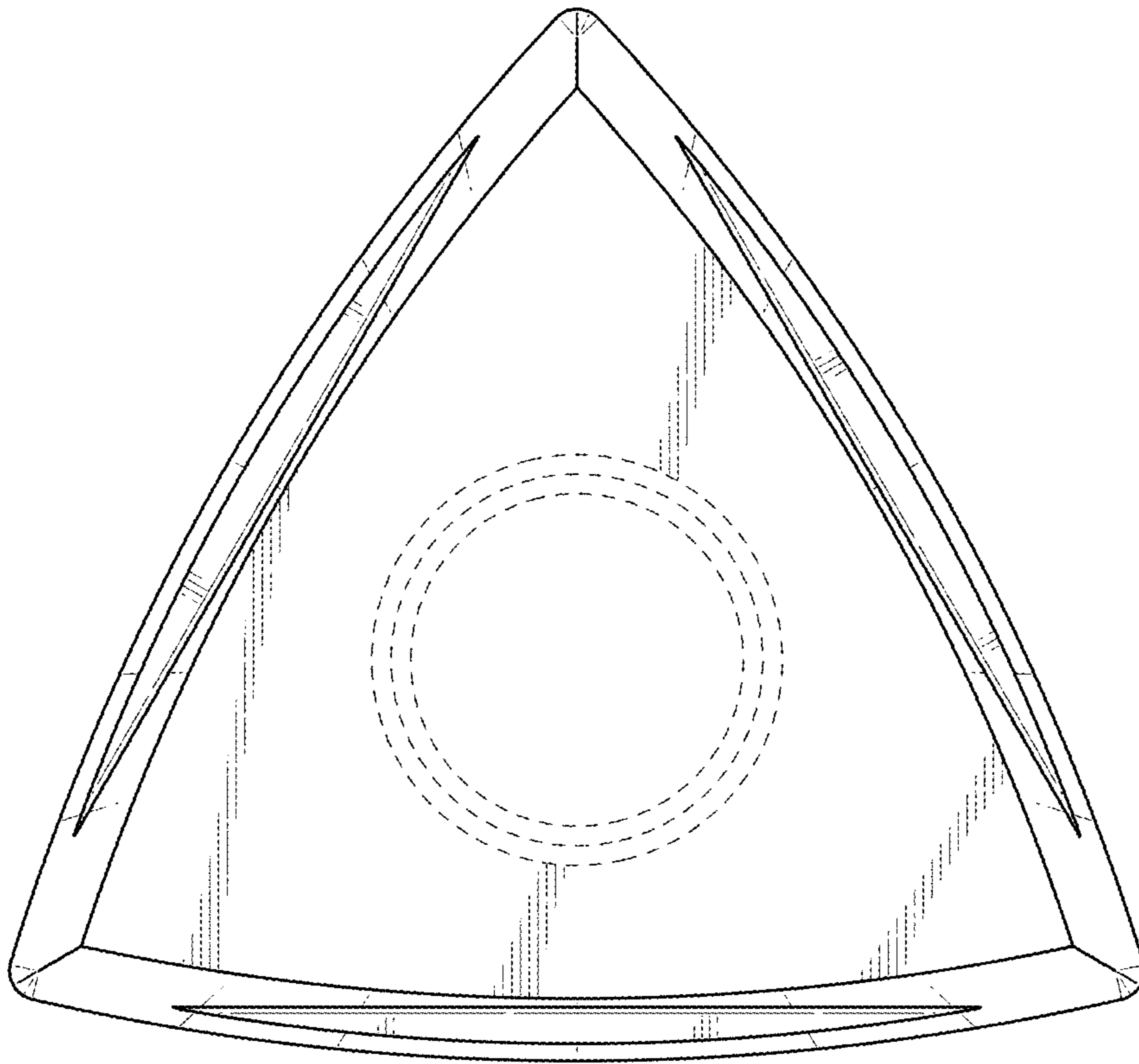


FIG. 5

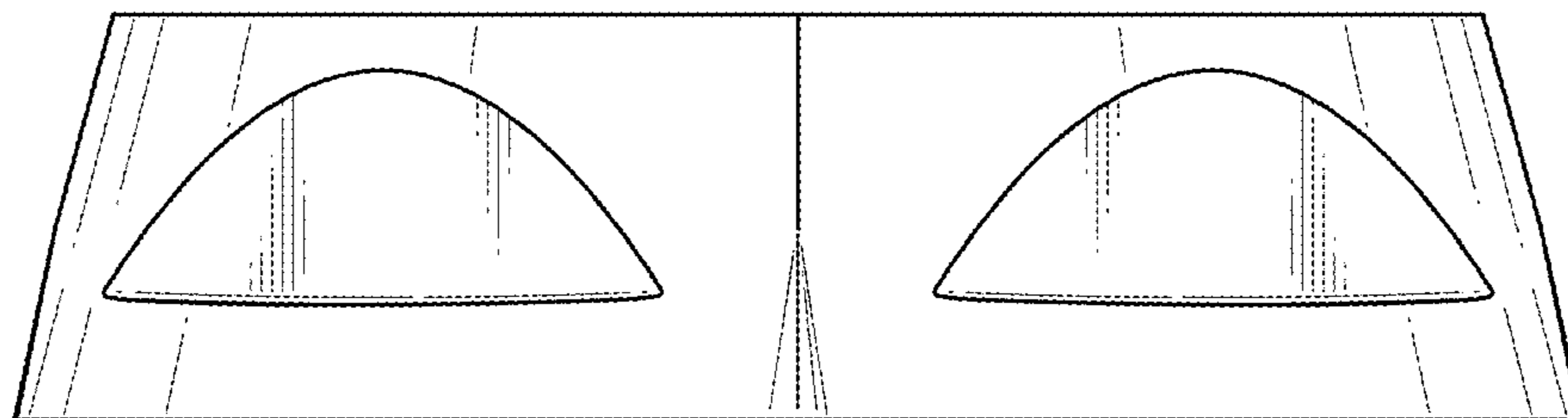


FIG. 6

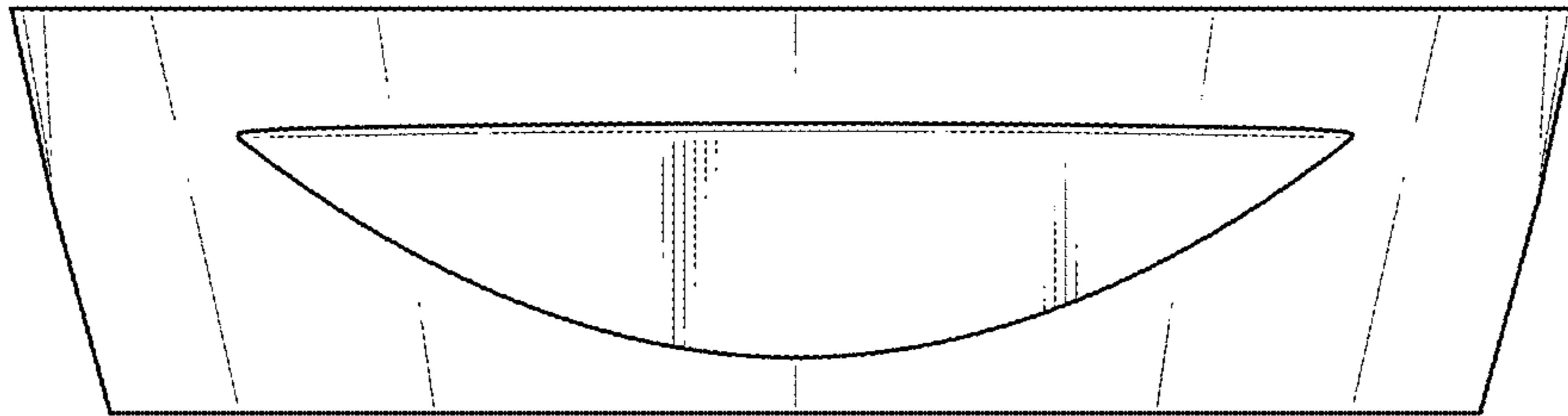


FIG. 7

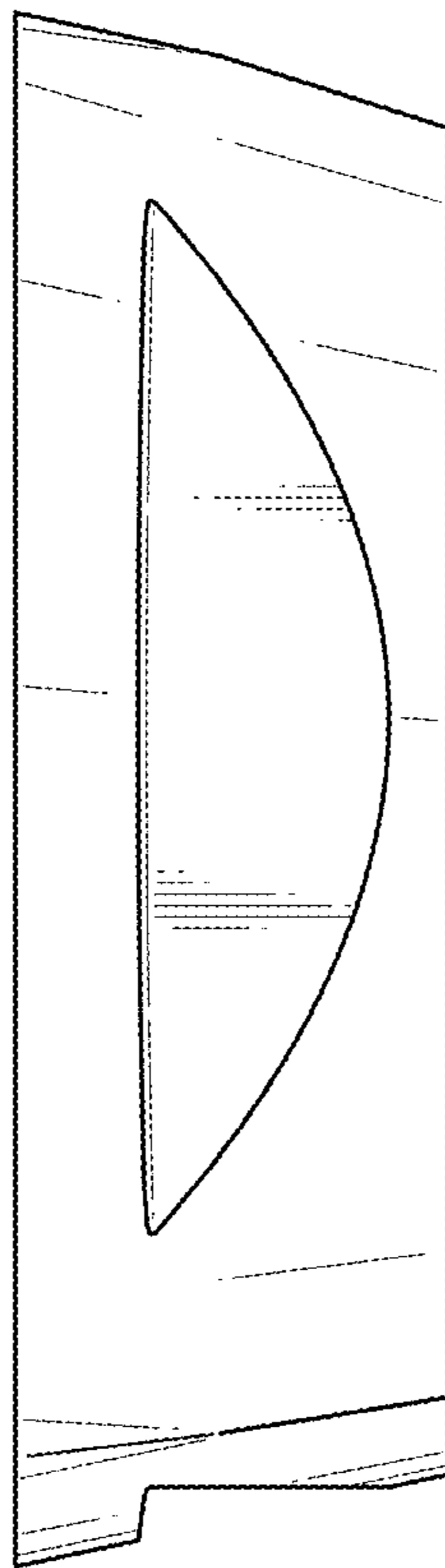
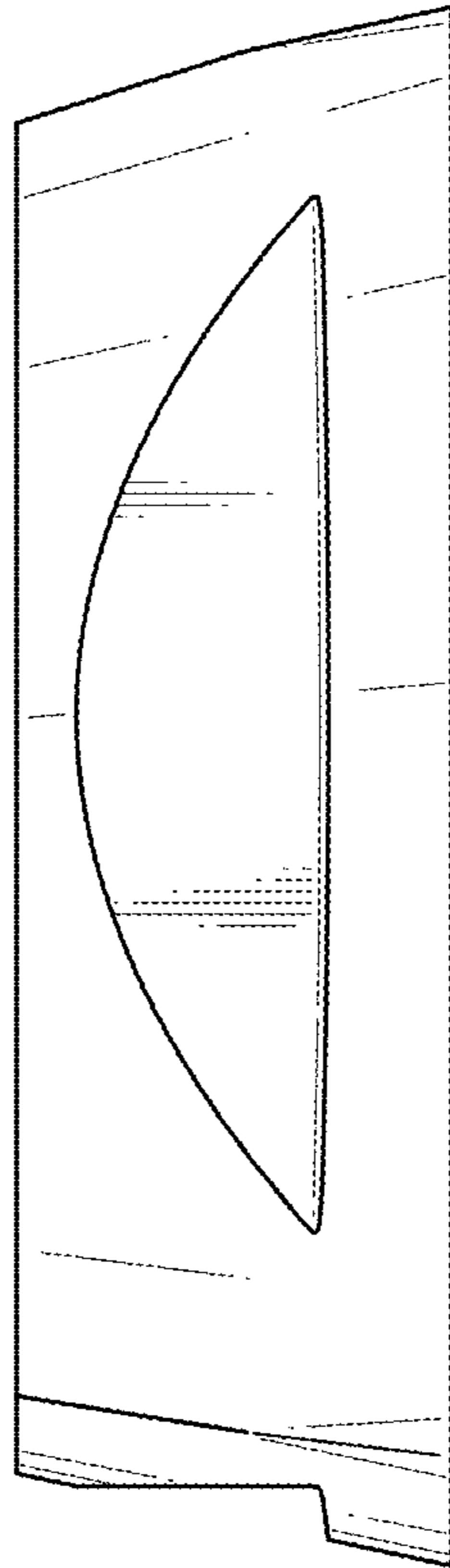


FIG. 8



UNITED STATES PATENT AND TRADEMARK OFFICE
CERTIFICATE OF CORRECTION

PATENT NO. : D822,077 S
APPLICATION NO. : 29/604510
DATED : July 3, 2018
INVENTOR(S) : Hayato Takahashi

Page 1 of 1

It is certified that error appears in the above-identified patent and that said Letters Patent is hereby corrected as shown below:

On the Title Page

Under references cited, please add the Foreign Priority information as follows:

--Japan 2016-025664 November 26, 2016--

Signed and Sealed this
Twenty-seventh Day of December, 2022



Katherine Kelly Vidal
Director of the United States Patent and Trademark Office

UNITED STATES PATENT AND TRADEMARK OFFICE
CERTIFICATE OF CORRECTION

PATENT NO. : D822,077 S
APPLICATION NO. : 29/604510
DATED : July 3, 2018
INVENTOR(S) : Hayato Takahashi

Page 1 of 1

It is certified that error appears in the above-identified patent and that said Letters Patent is hereby corrected as shown below:

On the Title Page

Under references cited, please correct the Foreign Priority information as follows:

Delete "**Japan 2016-025664 November 26, 2016**" and insert --**Japan 2016-025664 November 25, 2016--**

Signed and Sealed this
Seventeenth Day of October, 2023



Katherine Kelly Vidal
Director of the United States Patent and Trademark Office