



US00D822076S

(12) **United States Design Patent**
Nakata et al.

(10) **Patent No.:** **US D822,076 S**
(45) **Date of Patent:** **** Jul. 3, 2018**

(54) **DRILL**
(71) Applicant: **SUMITOMO ELECTRIC HARDMETAL CORP.**, Itami-shi (JP)
(72) Inventors: **Shinya Nakata**, Mie-gun (JP); **Yuki Tsutsumi**, Mie-gun (JP)
(73) Assignee: **SUMITOMO ELECTRIC HARDMETAL CORP.**, Itami-shi (JP)
(**) Term: **15 Years**
(21) Appl. No.: **29/604,017**
(22) Filed: **May 15, 2017**
(30) **Foreign Application Priority Data**

Nov. 17, 2016 (JP) 2016-025006
(51) **LOC (11) Cl.** **15-09**
(52) **U.S. Cl.**
USPC **D15/139**
(58) **Field of Classification Search**
USPC D8/70; D15/131, 138, 139
CPC ... B23B 31/005; B23B 51/02; B23B 2226/75;
B23B 2231/0212; B23B 2251/248; B23B
2260/072; B23C 5/10; B23D 77/00;
B23G 5/064; Y10T 407/19; Y10T
408/907
See application file for complete search history.

(56) **References Cited**
U.S. PATENT DOCUMENTS
5,622,462 A * 4/1997 Gakhar B23B 51/02
408/230
2008/0056836 A1* 3/2008 Shiao B23B 31/005
408/191
2010/0054881 A1* 3/2010 Thomas B23B 51/02
408/1 BD

2012/0201619 A1* 8/2012 Olsson B23B 51/02
408/230
2012/0256144 A1* 10/2012 Pierce B23B 51/00
254/134.3 R
2012/0275875 A1* 11/2012 Gischus B23B 31/005
408/226
2014/0183827 A1* 7/2014 Keightley B23B 31/005
279/30
2014/0193220 A1* 7/2014 Tamura B23B 51/02
408/230
2014/0219737 A1* 8/2014 Takai B23B 51/02
408/229
2014/0294529 A1* 10/2014 Takai B23B 51/02
408/229
2015/0071718 A1* 3/2015 Kauper B23B 51/02
407/54

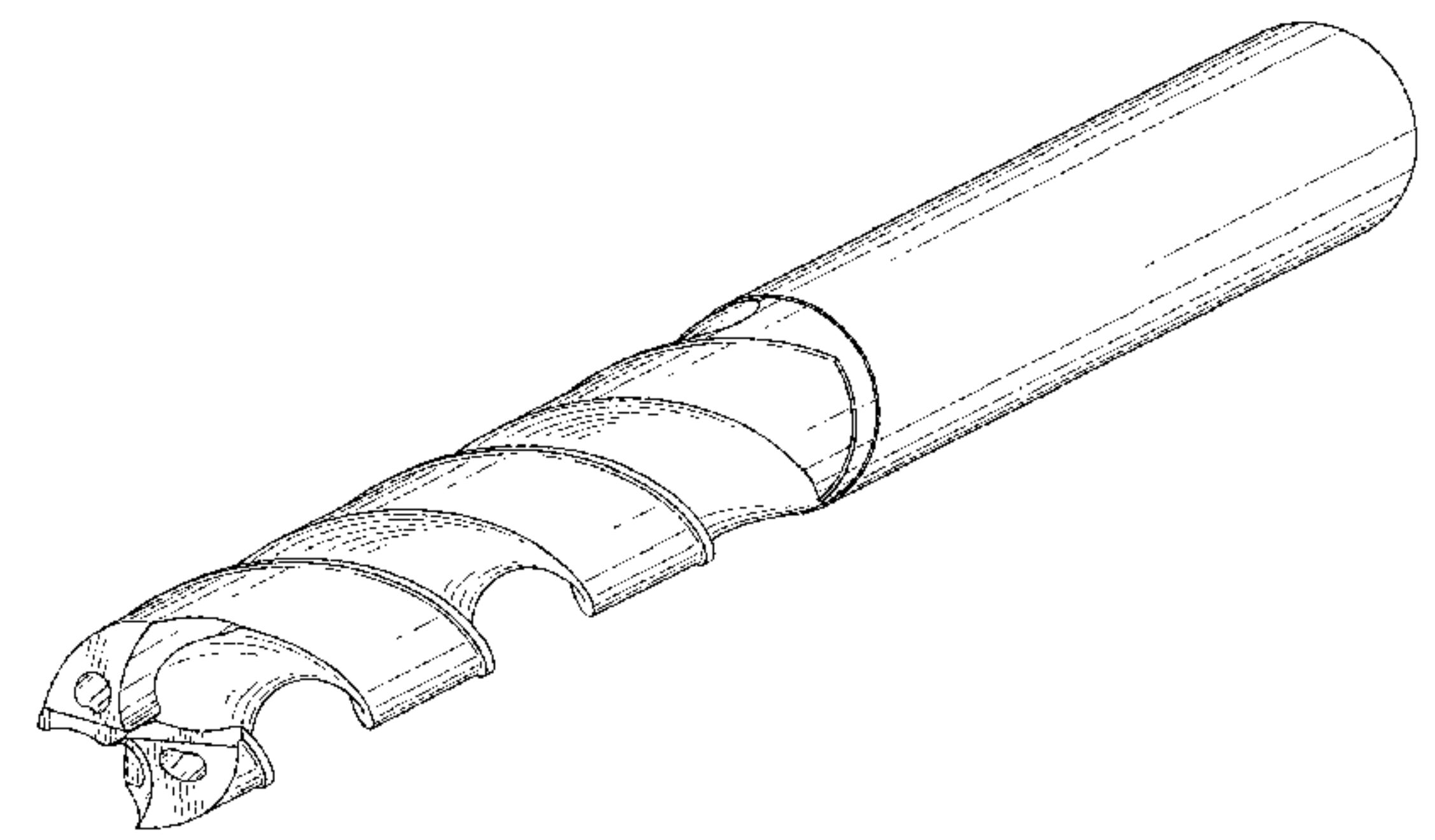
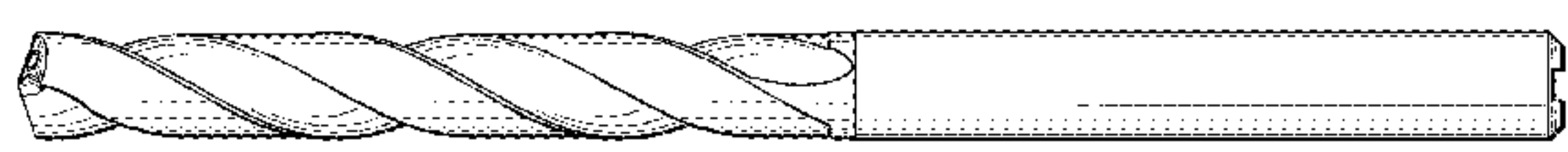
(Continued)

Primary Examiner — Patricia A Palasik
(74) *Attorney, Agent, or Firm* — Venable LLP; Michael A. Sartori; Miguel A. Lopez

(57) **CLAIM**
The ornamental design for a drill, as shown and described.

DESCRIPTION
FIG. 1 is a front view of a drill showing our new design; FIG. 2 is a rear view thereof; FIG. 3 is a top view thereof; FIG. 4 is a bottom view thereof; FIG. 5 is a right side view thereof; FIG. 6 is a left side view thereof; FIG. 7 is an enlarged right side view thereof; FIG. 8 is an enlarged left side view thereof; FIG. 9 is a cross sectional view taken along line 9-9 of FIG. 5; FIG. 10 is a cross sectional view taken along line 10-10 of FIG. 6; FIG. 11 is a first enlarged perspective view thereof; FIG. 12 is a second enlarged perspective view thereof; and, FIG. 13 is a third enlarged perspective view thereof.

1 Claim, 5 Drawing Sheets



(56)

References Cited

U.S. PATENT DOCUMENTS

2015/0283624 A1* 10/2015 Jindai B23B 51/02
408/230
2015/0283625 A1* 10/2015 Sato B23B 51/02
408/230
2015/0321267 A1* 11/2015 Takai B23B 51/06
408/59
2016/0052069 A1* 2/2016 Kauper B23B 51/02
408/144
2016/0151842 A1* 6/2016 Bjork B23B 51/06
408/59
2016/0167139 A1* 6/2016 Ogawa C23C 30/005
408/1 R
2016/0228130 A1* 8/2016 Koljaka A61B 17/1615
2016/0228954 A1* 8/2016 Lemmer B23B 51/009
2017/0028480 A1* 2/2017 Schwagerl B23B 51/02
2017/0056981 A1* 3/2017 Higashiwaki B23B 35/00
2017/0100784 A1* 4/2017 Frota de Souza
Filho B23B 51/06
2017/0165797 A1* 6/2017 Nii B23P 15/32
2017/0203374 A1* 7/2017 Tempelmeier B23B 51/02
2017/0274460 A1* 9/2017 Jindai B23B 51/02

* cited by examiner

FIG.1

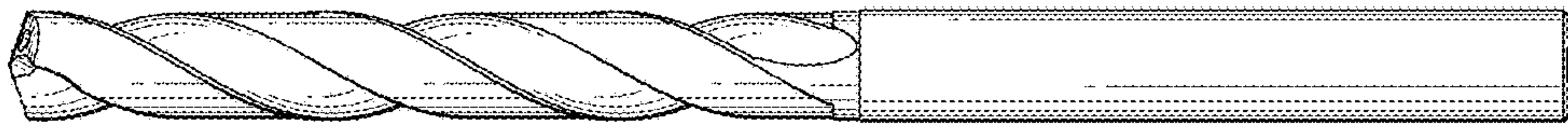


FIG.2

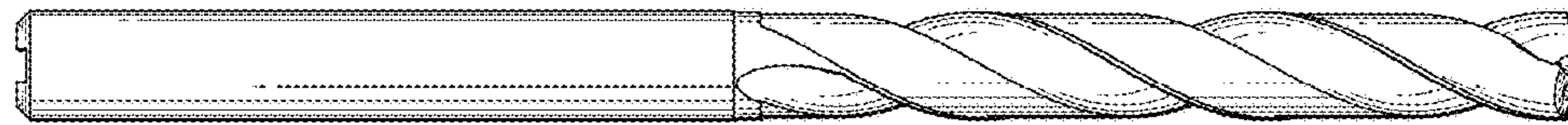


FIG.3

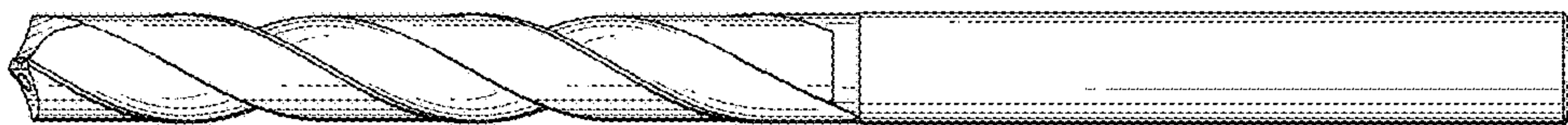


FIG.4

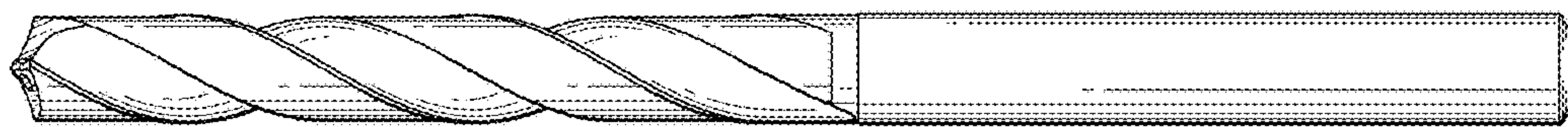


FIG.5

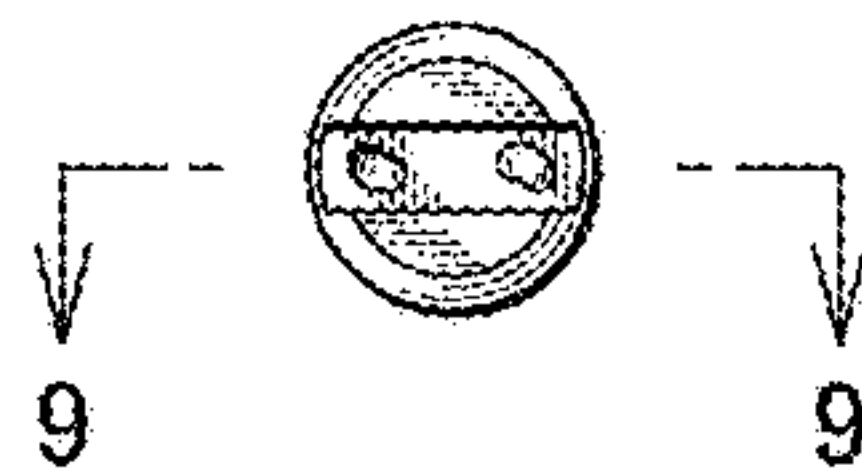


FIG.6

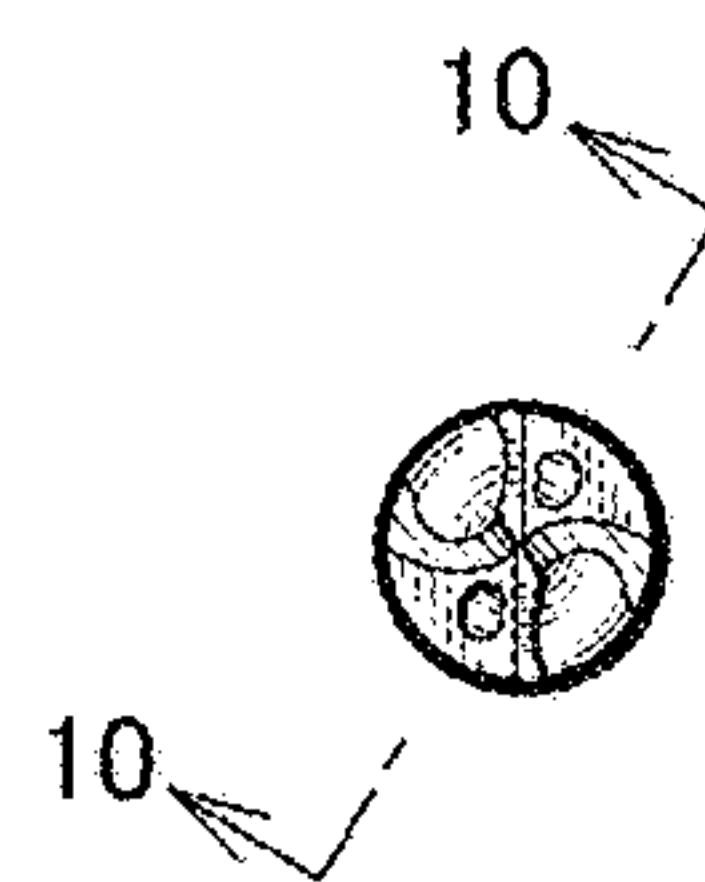


FIG.7

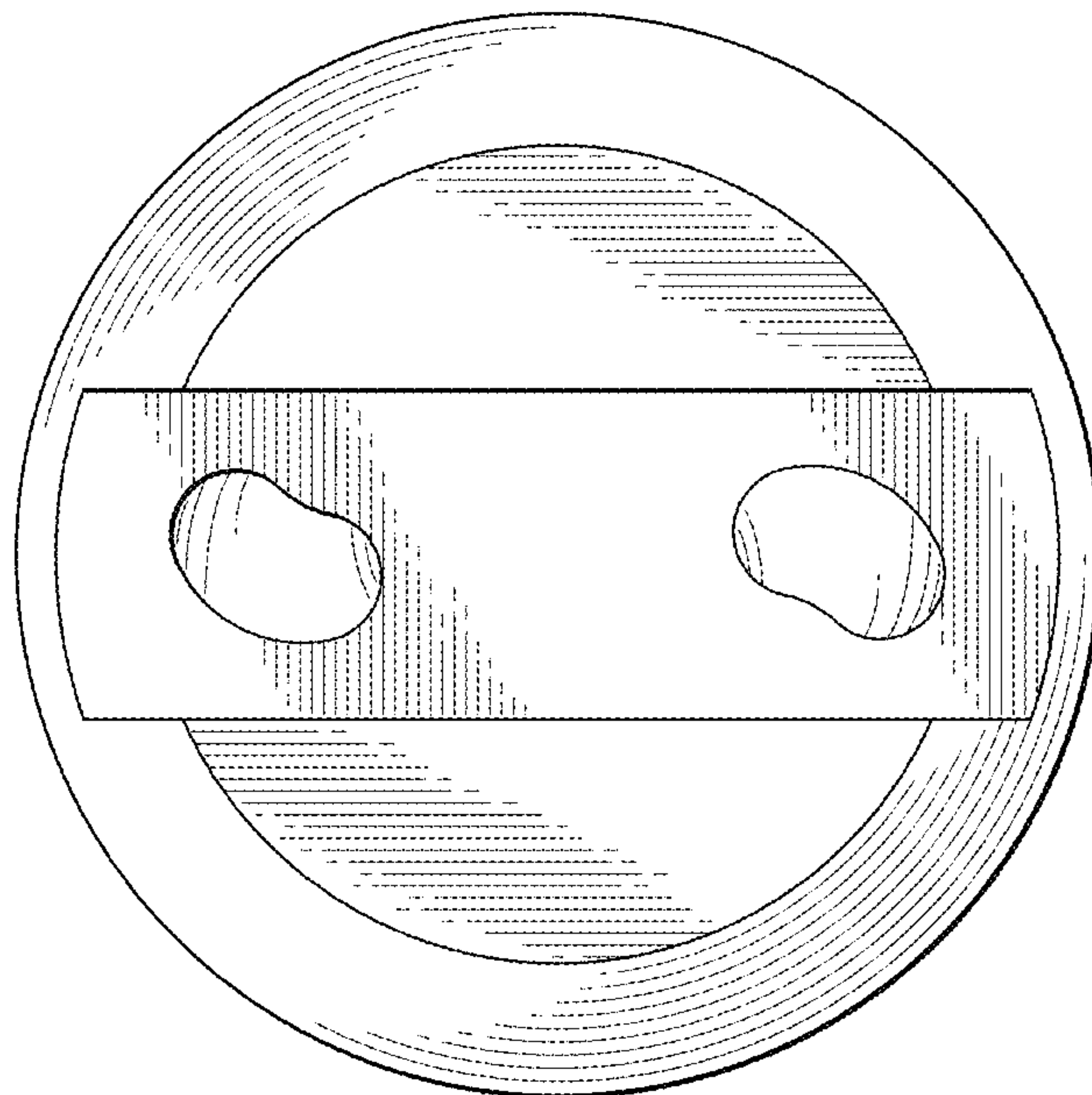


FIG.8

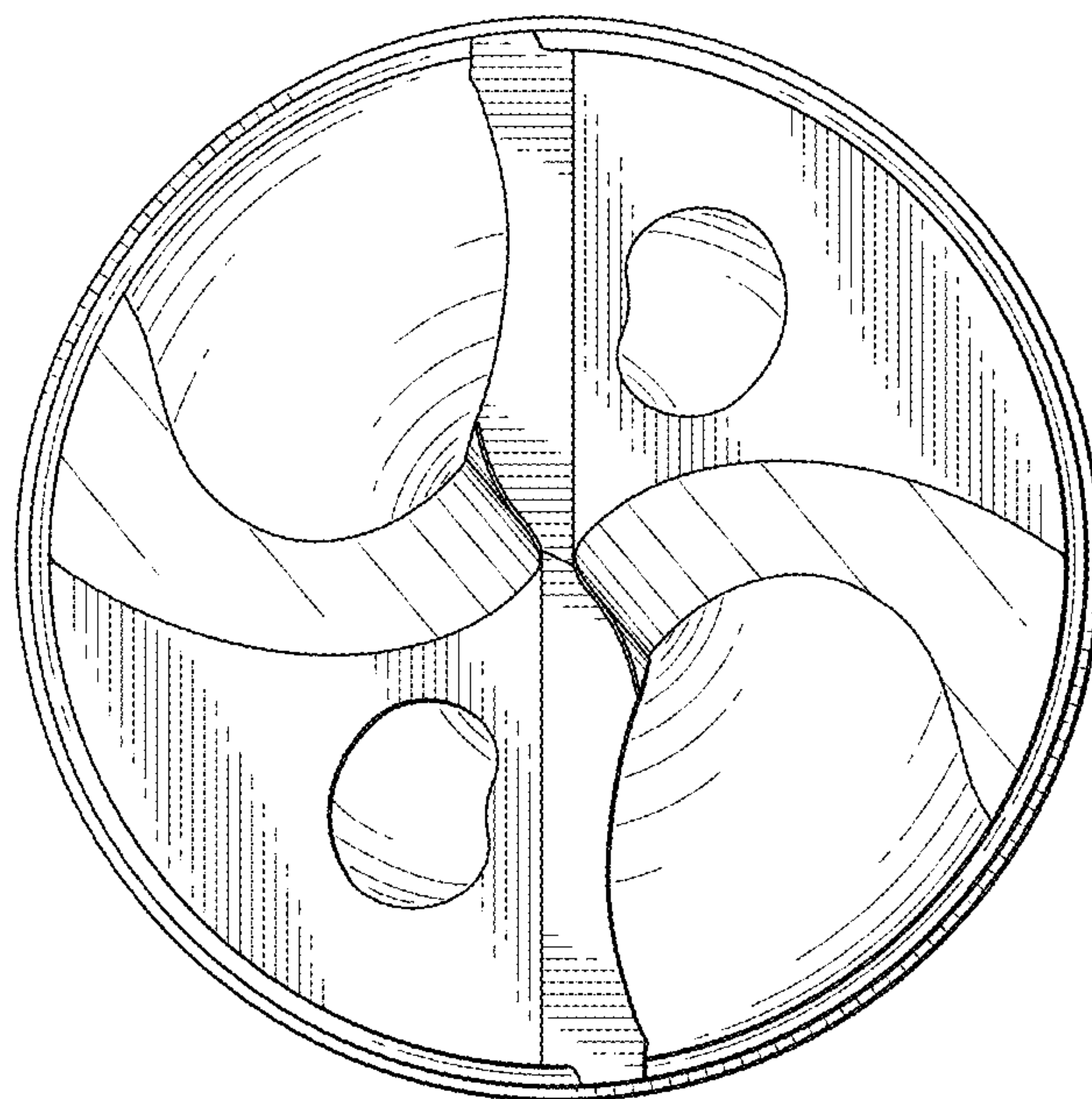


FIG.9

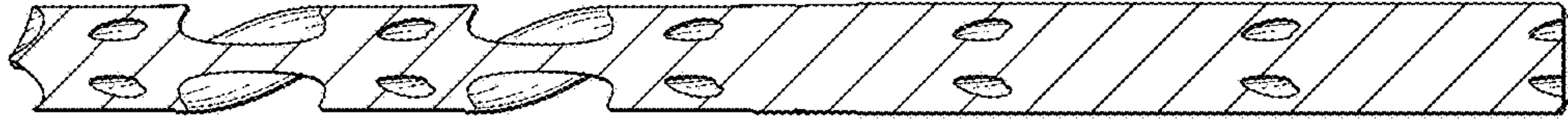


FIG.10



FIG.11

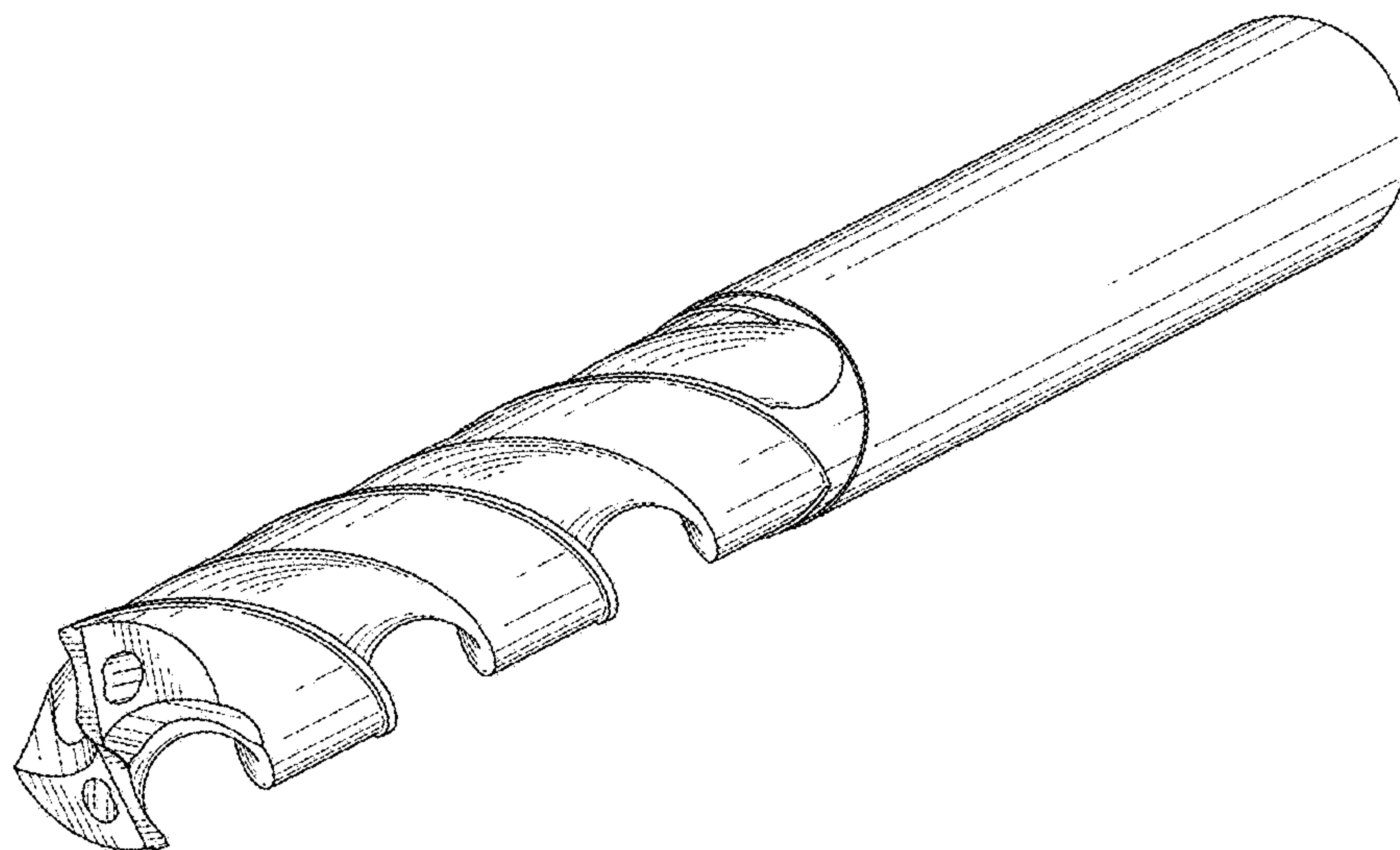


FIG.12

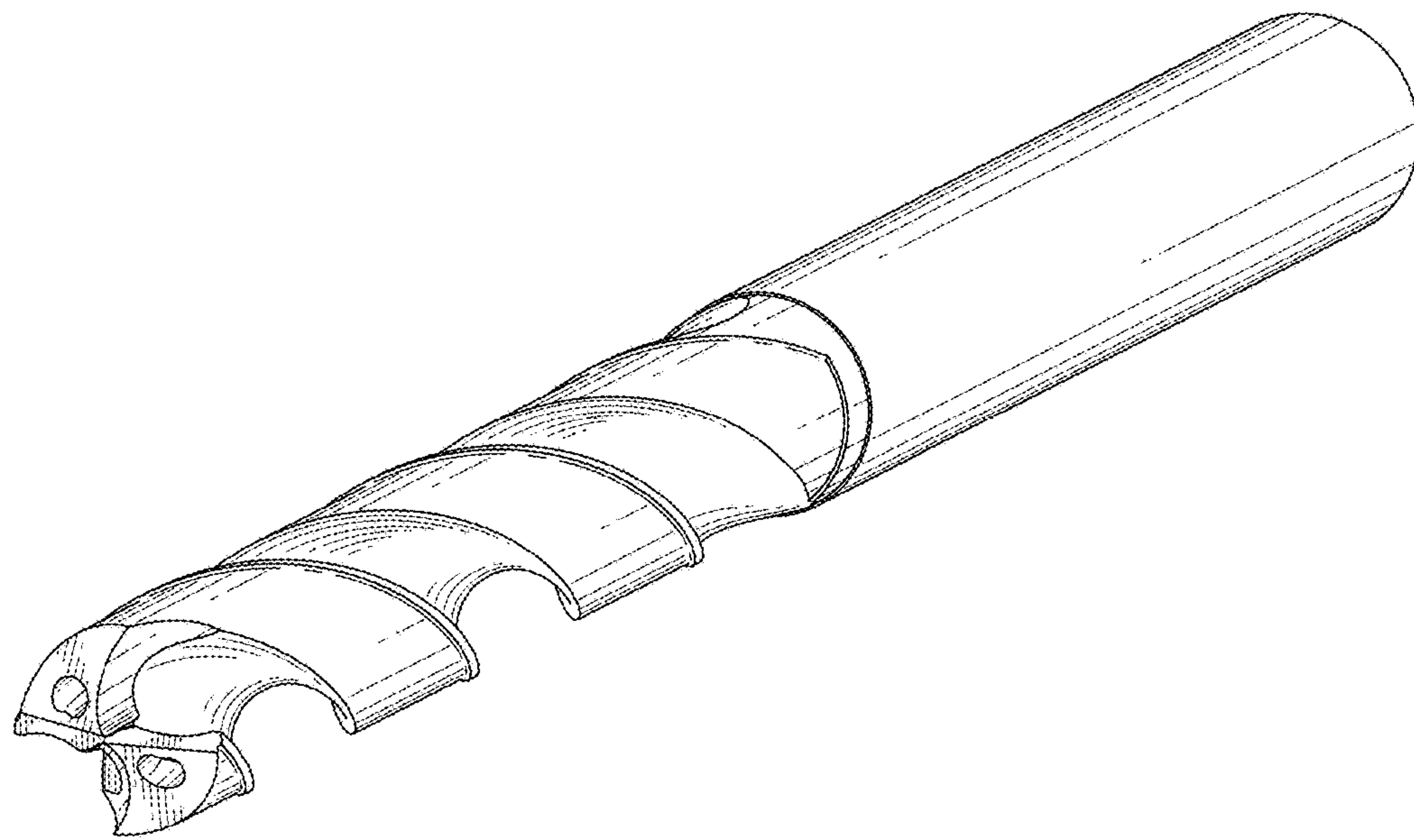


FIG.13

