



US00D822073S

(12) **United States Design Patent** (10) **Patent No.:** **US D822,073 S**
Lee et al. (45) **Date of Patent:** **** Jul. 3, 2018**

(54) **REFRIGERATOR**

2700/12; F25D 2700/121; F25D 2700/14;
F25D 29/00

(71) Applicant: **Samsung Electronics Co., Ltd.**,
Suwon-si (KR)

See application file for complete search history.

(72) Inventors: **Seon-Ju Lee**, Seoul (KR); **Dajeong Kim**, Seoul (KR); **Choongeun Lee**, Seoul (KR); **Yeonjin Jo**, Suwon-si (KR)

(56) **References Cited**

U.S. PATENT DOCUMENTS

D430,174	S	*	8/2000	Negrao	D15/89
D698,832	S	*	2/2014	Lee	D15/89
D705,826	S	*	5/2014	Yang	D15/91
D713,864	S	*	9/2014	Kim	D15/89
D786,947	S	*	5/2017	Kim	D15/86
D803,279	S	*	11/2017	Cho	D15/89

(73) Assignee: **Samsung Electronics Co., Ltd.**,
Suwon-si (KR)

FOREIGN PATENT DOCUMENTS

CN	201130358188	1/2012
CN	201330366016	12/2013
CN	201530484605	5/2016
EM	001599119-0001	8/2009

(**) Term: **15 Years**

* cited by examiner

(21) Appl. No.: **29/593,809**

Primary Examiner — Ian Simmons
Assistant Examiner — Khawaja Anwar
(74) *Attorney, Agent, or Firm* — NSIP Law

(22) Filed: **Feb. 13, 2017**

(30) **Foreign Application Priority Data**

Aug. 26, 2016 (KR) 30-2016-0041867

(51) **LOC (11) Cl.** **15-07**

(52) **U.S. Cl.**
USPC **D15/89**

(58) **Field of Classification Search**
USPC D15/79-91

CPC .. F25D 11/00; F25D 17/065; F25D 2325/022;
F25D 23/069; F25D 25/025; F25D 11/02;
F25D 17/062; F25D 21/12; F25D 21/125;
F25D 21/14; F25D 2317/061; F25D
2317/067; F25D 2323/021; F25D
2323/024; F25D 23/028; F25D 23/04;
F25D 23/066; F25D 23/085; F25D
23/087; F25D 23/126; F25D 2400/02;
F25D 2400/06; F25D 2400/361; F25D
2400/40; F25D 25/005; F25D 25/02;
F25D 2600/02; F25D 2700/02; F25D

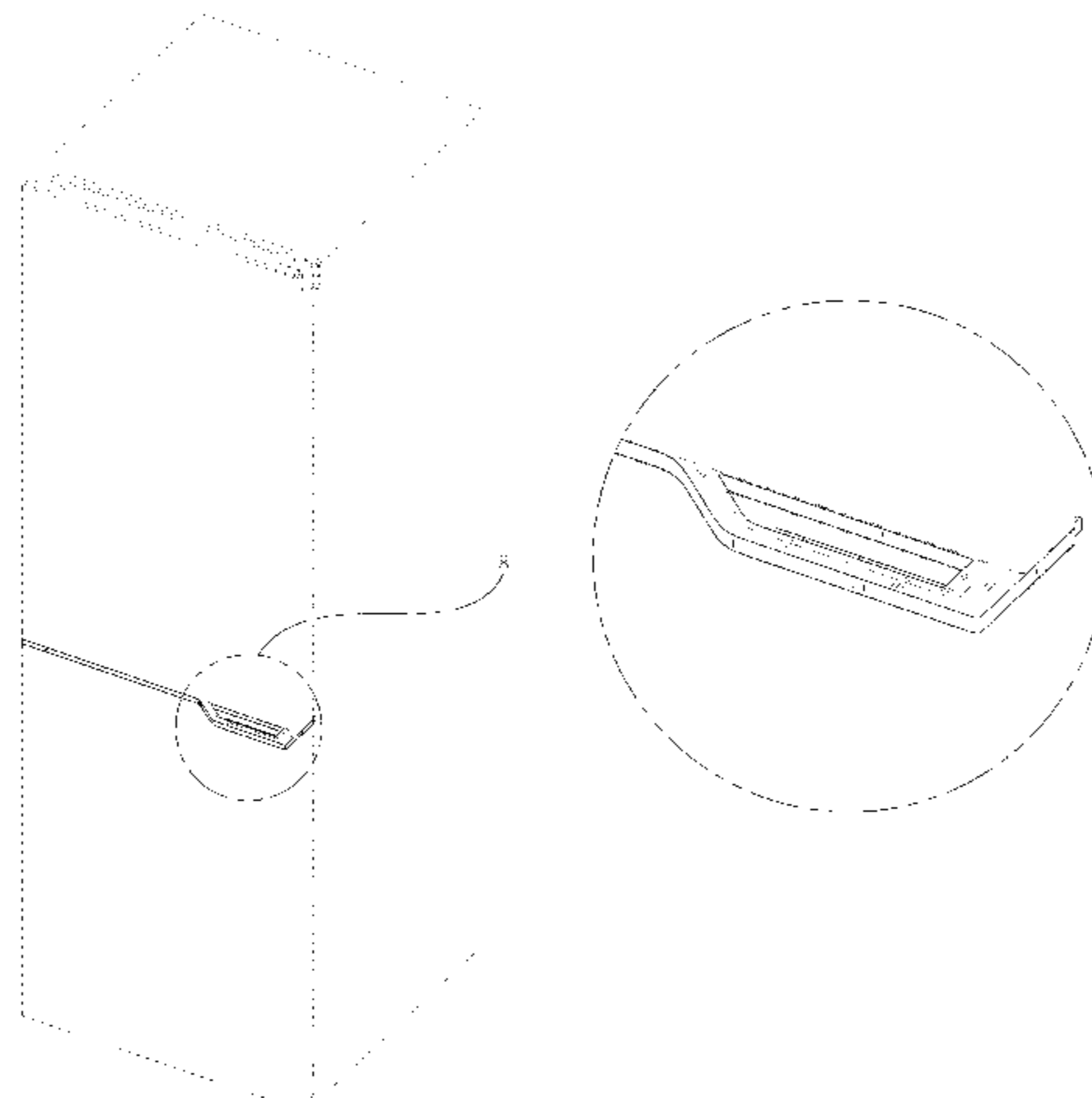
(57) **CLAIM**

We claim the ornamental design for a refrigerator, as shown and described.

DESCRIPTION

FIG. 1 is a front perspective view of a refrigerator showing our new design;
FIG. 2 is a front view thereof;
FIG. 3 is a rear view thereof;
FIG. 4 is a left-side view thereof;
FIG. 5 is a right-side view thereof;
FIG. 6 is a top view thereof;
FIG. 7 is a bottom view thereof; and,
FIG. 8 is an enlarged view of the encircled portion 8 of FIG. 1.
The broken lines in the figures depict environmental subject matter and form no part of the claimed design.

(Continued)



The dot-dash broken lines encircling portions of the claimed design that are illustrated in enlargements form no part of the claimed design.

1 Claim, 8 Drawing Sheets

FIG. 1

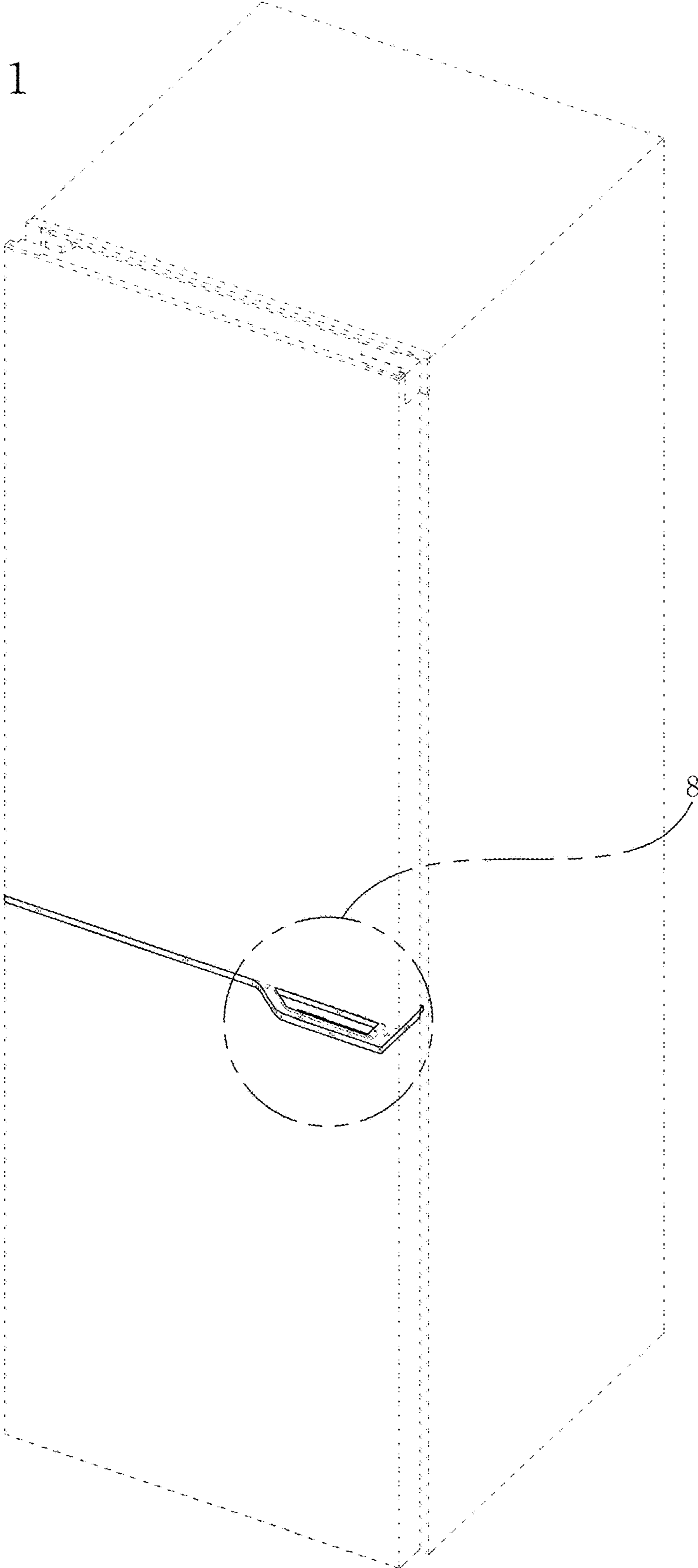


FIG. 2

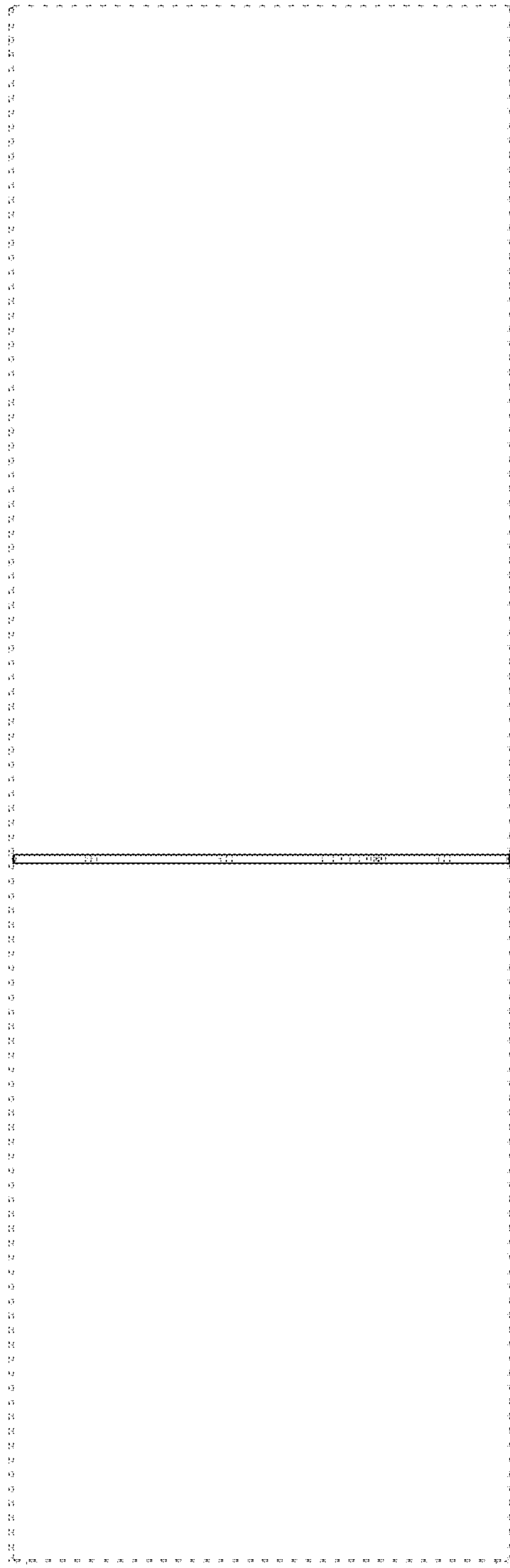


FIG. 3

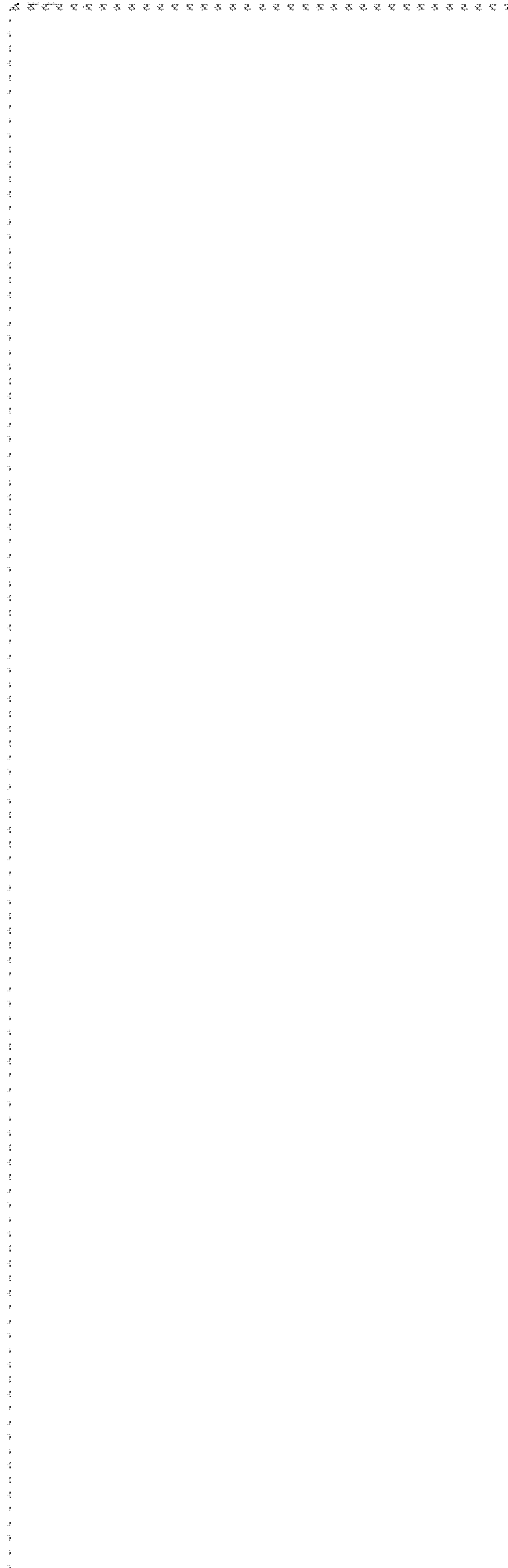


FIG. 4

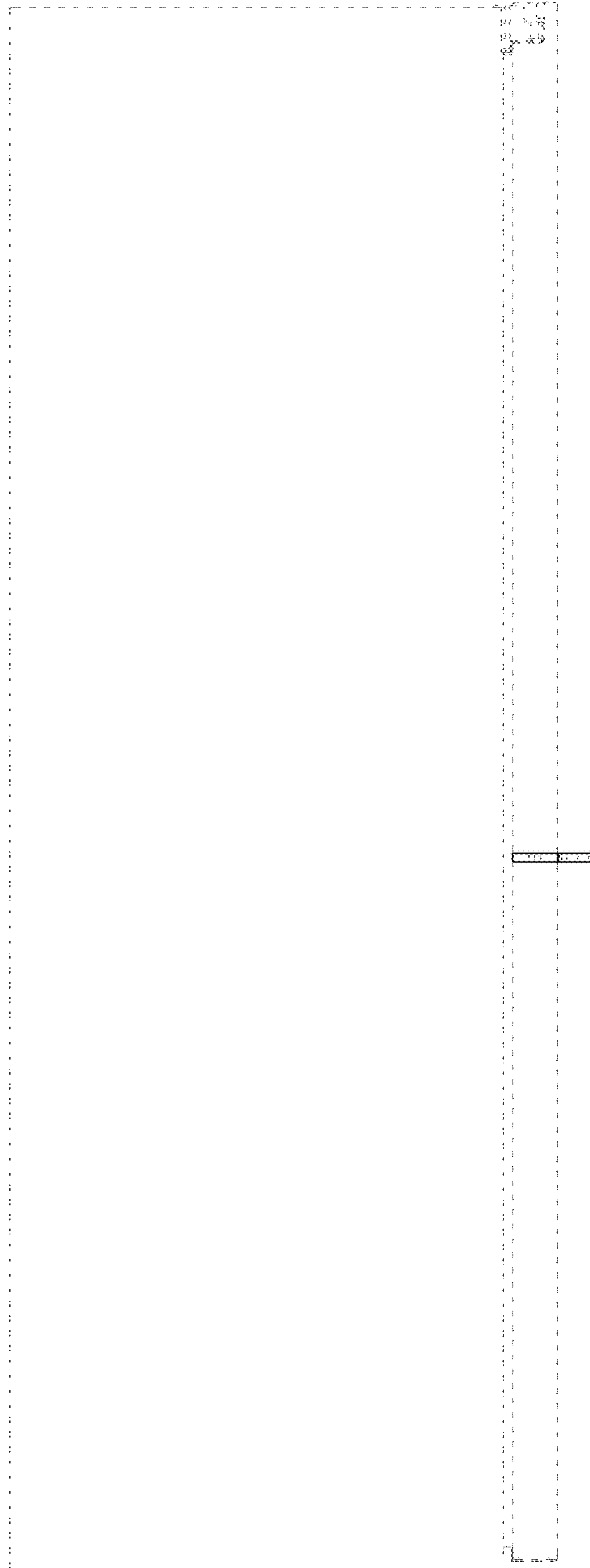


FIG. 5

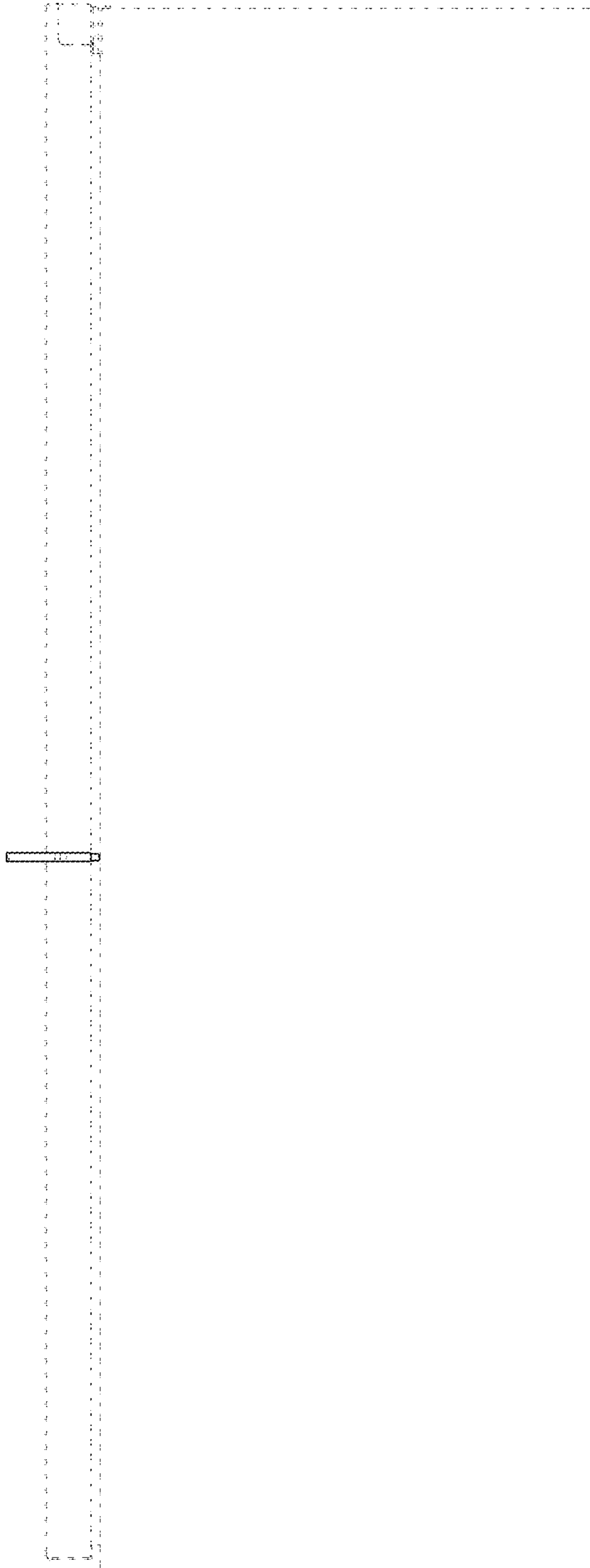


FIG. 6

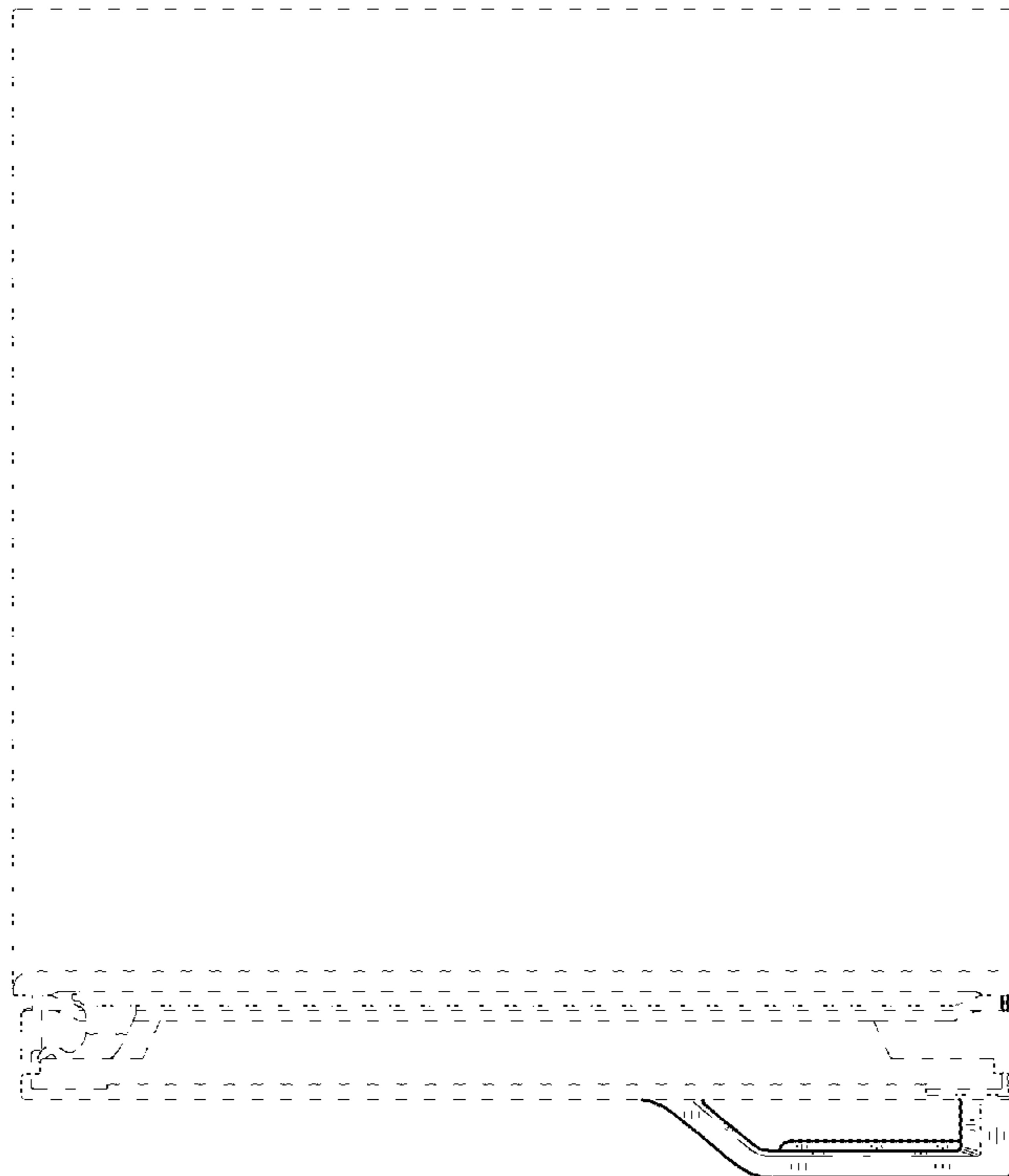


FIG. 7



FIG. 8

