



US00D822071S

(12) **United States Design Patent** (10) **Patent No.:** **US D822,071 S**
Jacobsthal et al. (45) **Date of Patent:** **** Jul. 3, 2018**

(54) **EQUIPMENT CONSOLE** D427,613 S * 7/2000 Altmann D15/28
D459,734 S * 7/2002 Hohnl D15/28
(71) Applicant: **CNH Industrial America LLC**, New 6,499,550 B2 * 12/2002 Matsuda B60K 37/00
Holland, PA (US) 180/90
D471,564 S * 3/2003 Hohnl D15/28
(72) Inventors: **Eric M. Jacobsthal**, Elmhurst, IL (US); D549,739 S * 8/2007 Stephens D15/28
Douglas Montgomery, Downers Grove, D584,321 S * 1/2009 Matsumoto D15/17
IL (US); **Russell Meyer**, Crystal Lake, D594,885 S * 6/2009 Kuwae D15/17
IL (US); **Dwayne Jackson**, Auburn D652,063 S * 1/2012 Takeuchi D15/28
Hills, MI (US) D652,433 S * 1/2012 Takeuchi D15/28
D685,006 S * 6/2013 Hagura D15/17
8,474,562 B2 * 7/2013 Elhardt B60K 37/00
180/89.12
(73) Assignee: **CNH Industrial America LLC**, New D692,466 S * 10/2013 Takagi D15/17
Holland, PA (US) D707,722 S * 6/2014 Higashikawa D15/15
D718,343 S * 11/2014 Carter D15/28
(**) Term: **15 Years** (Continued)

(21) Appl. No.: **29/581,488**
(22) Filed: **Oct. 19, 2016**
(51) **LOC (11) Cl.** **15-03**
(52) **U.S. Cl.**
USPC **D15/28; D15/17**
(58) **Field of Classification Search**
USPC D15/17, 28, 14, 15, 22-26, 31, 33;
D12/192; 180/69.24, 69.2, 69.21, 90,
180/89.12, 900; 296/70, 30, 72, 191,
296/192, 193.03
CPC B62D 49/00; B60K 37/00; B60K 37/02;
B60K 37/04; B60K 2350/928; B60Y
2200/22
See application file for complete search history.

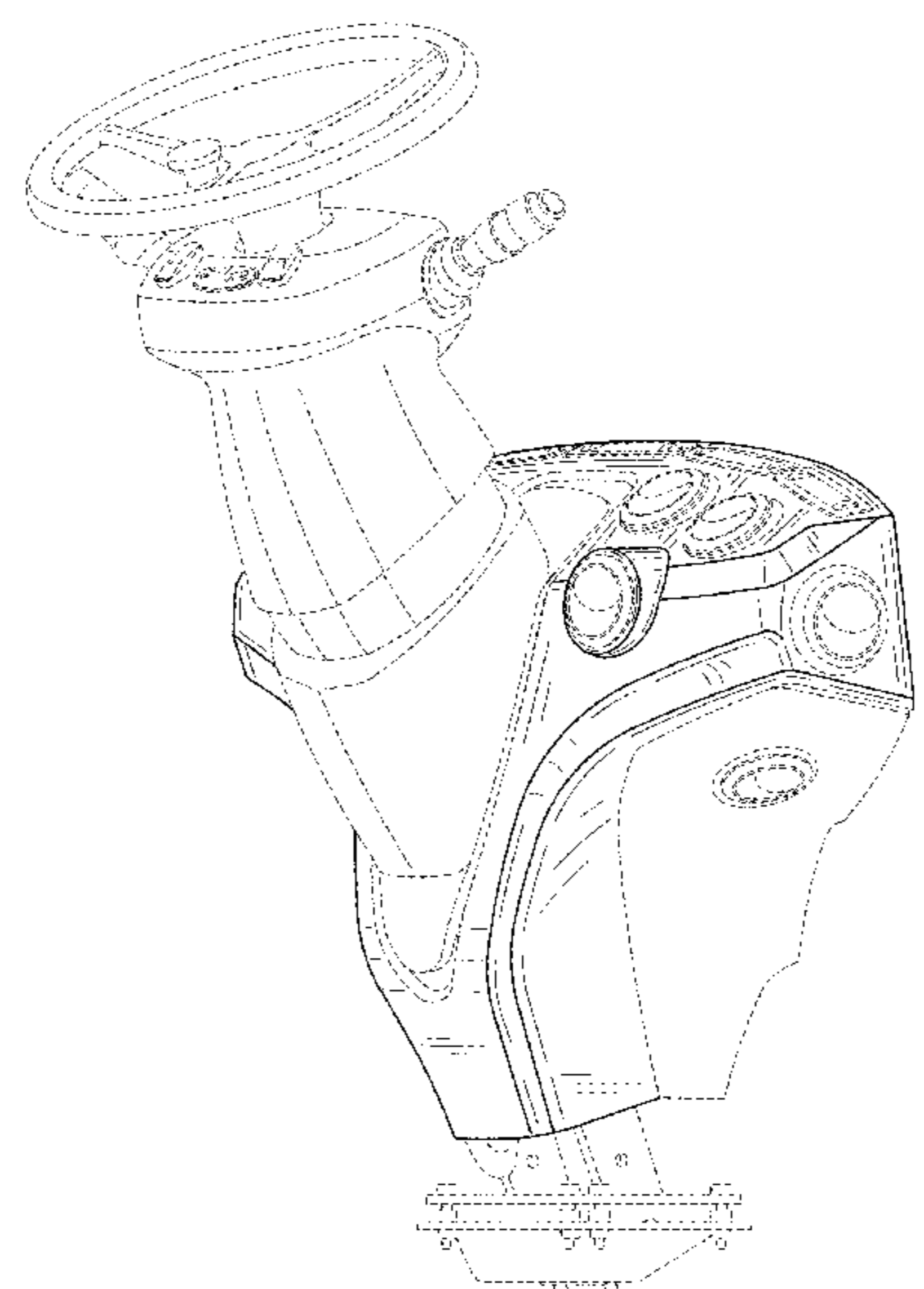
(56) **References Cited**
U.S. PATENT DOCUMENTS
4,126,202 A * 11/1978 Hern B60K 35/00
180/89.12
D256,018 S * 7/1980 Stone D12/192
4,447,860 A * 5/1984 Stone B60K 37/00
180/90
D326,662 S * 6/1992 Holm D15/17
D365,574 S * 12/1995 Westimayer D15/17

Primary Examiner — Mark Goodwin
(74) *Attorney, Agent, or Firm* — Patrick Sheldrake

(57) **CLAIM**
We claim the ornamental design for the equipment console,
as shown and described.

DESCRIPTION
FIG. 1 is a first front perspective view of an equipment console showing an embodiment of our new design;
FIG. 2 is a first rear perspective view thereof;
FIG. 3 is a second rear perspective view thereof;
FIG. 4 is a second front perspective view thereof;
FIG. 5 is a front view thereof;
FIG. 6 is a rear view thereof;
FIG. 7 is a side view thereof;
FIG. 8 is an opposite side view thereof;
FIG. 9 is a top view thereof; and,
FIG. 10 is a bottom view thereof.
Only the shapes and portions bounded by solid lines form the claimed design. The elements depicted in dashed lines are shown for illustrative purpose of environment and form no part of the ornamental design.

1 Claim, 10 Drawing Sheets



(56)

References Cited

U.S. PATENT DOCUMENTS

D754,211 S *	4/2016	Moore	D15/28
2002/0043414 A1 *	4/2002	Matsuda	B60K 37/00
				180/90
2009/0236876 A1 *	9/2009	Sawai	B62D 25/10
				296/193.11
2013/0062904 A1 *	3/2013	Elhardt	B60K 37/00
				296/70

* cited by examiner

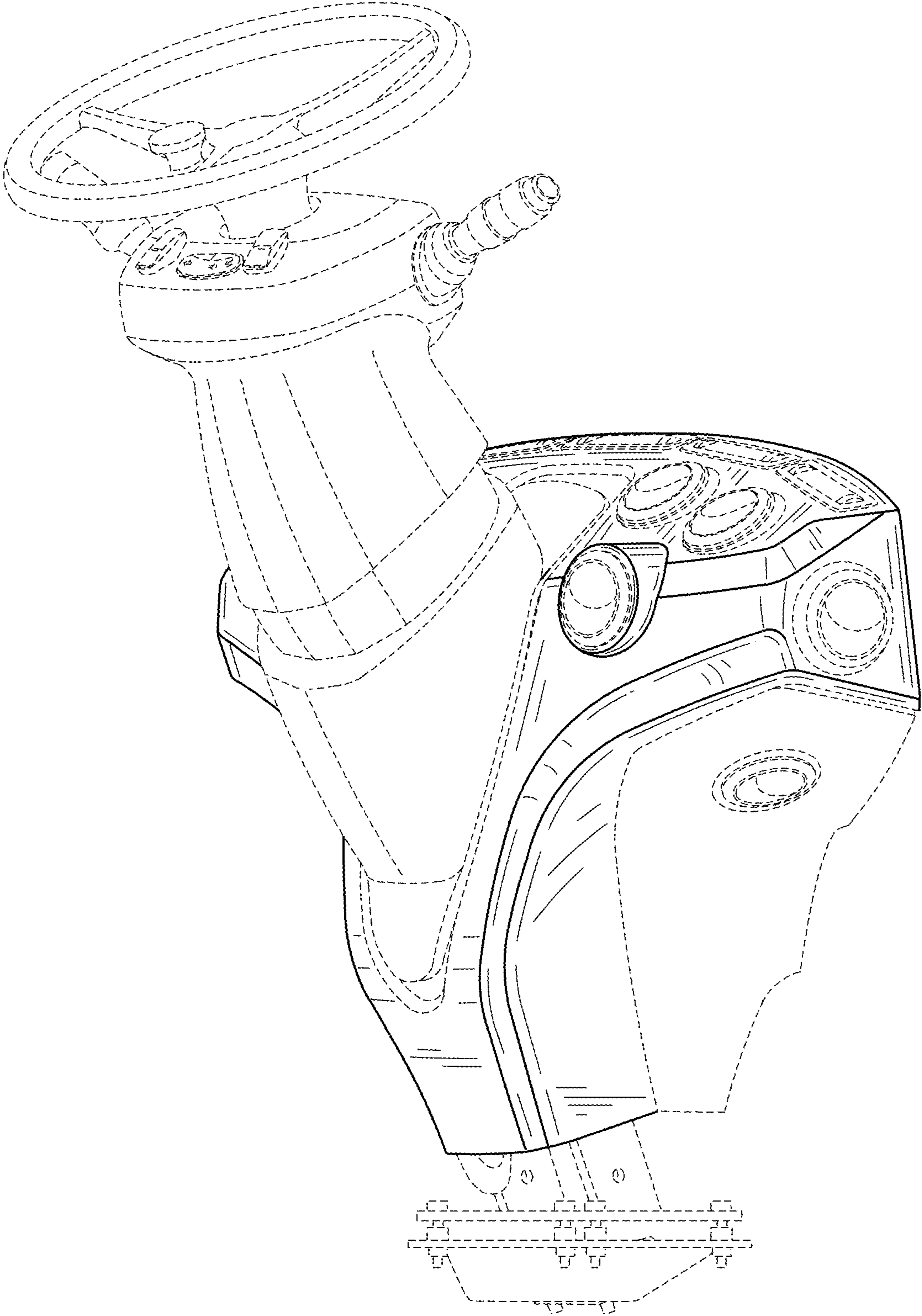


FIG. 1

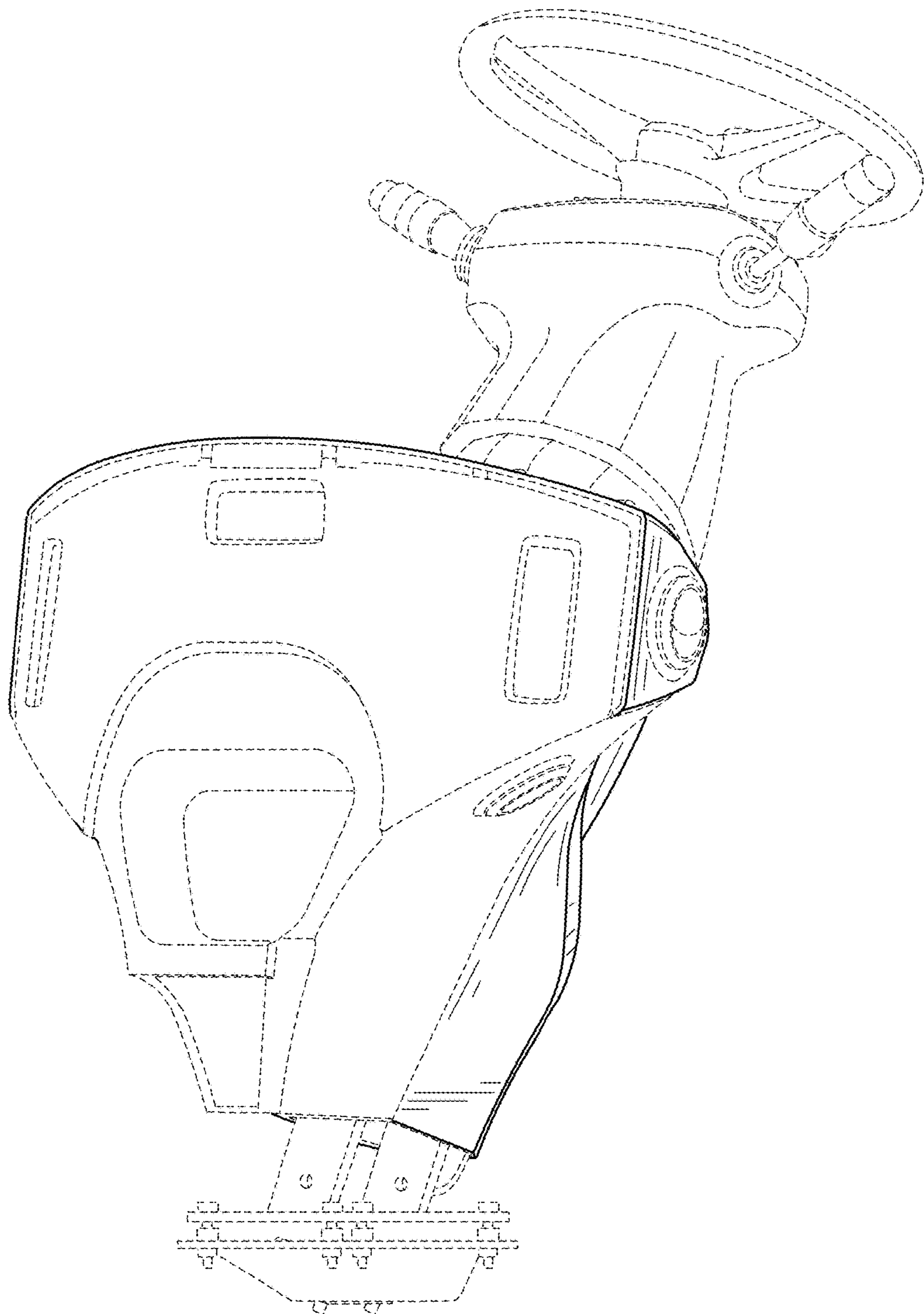


FIG. 2

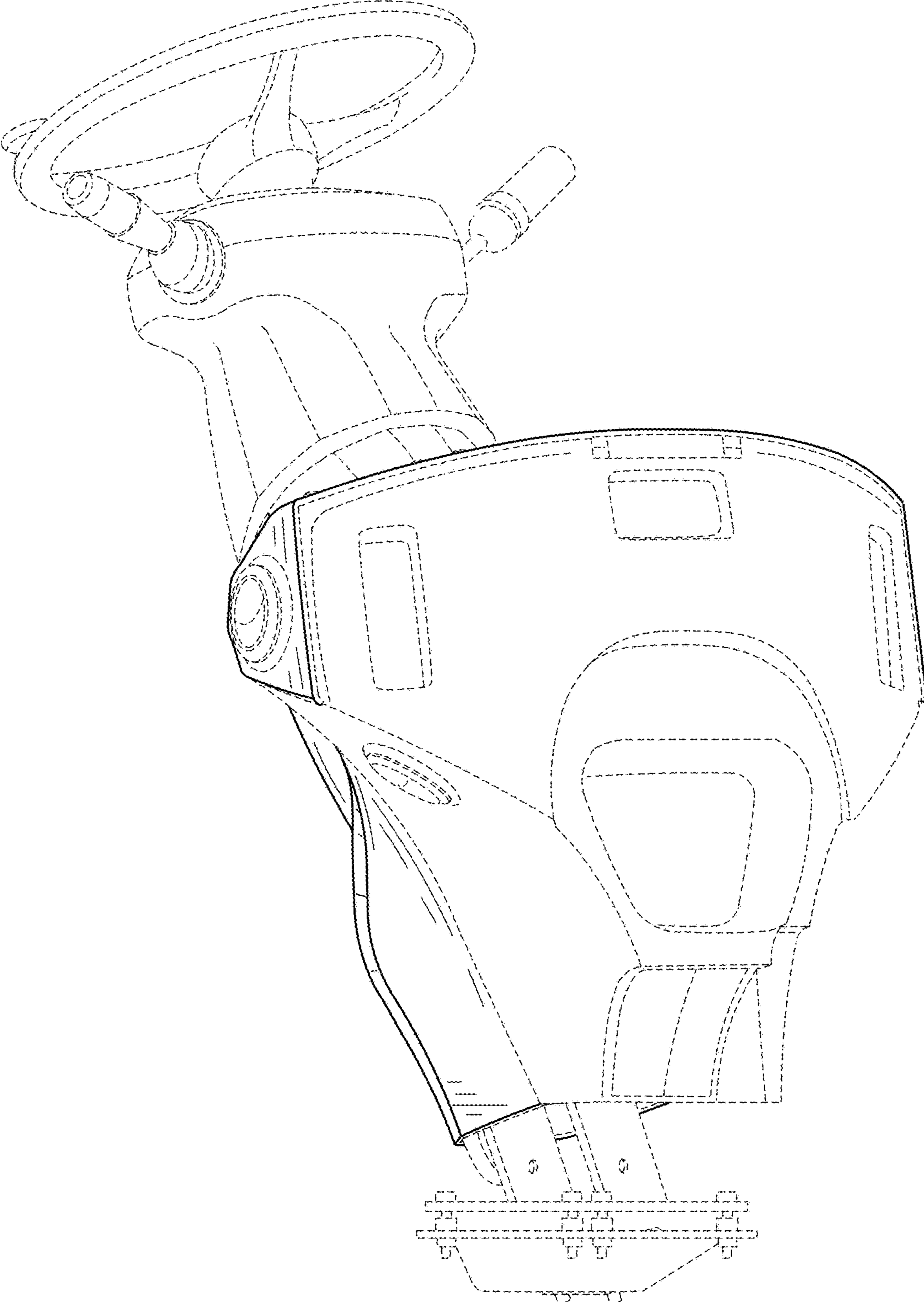


FIG. 3

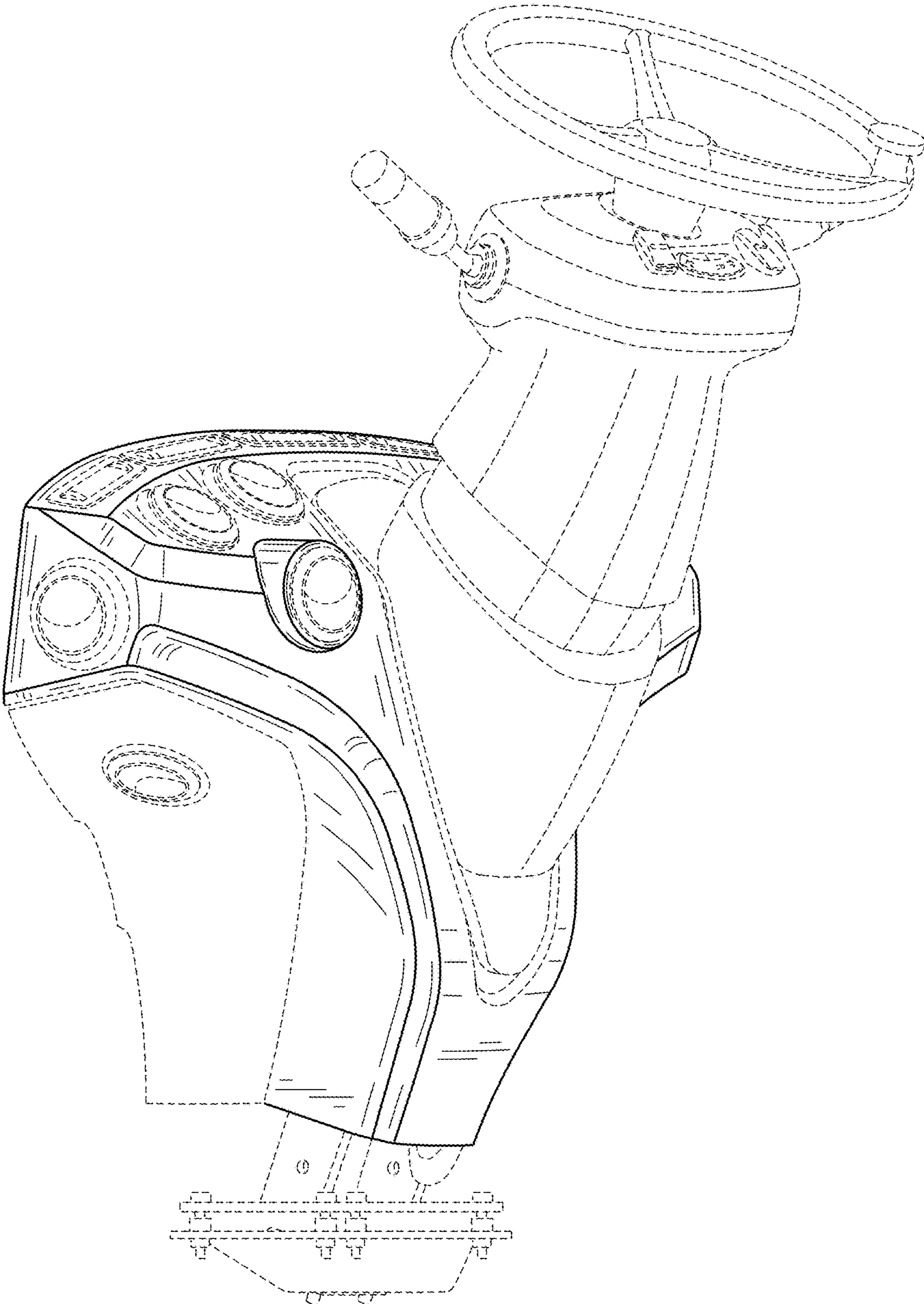


FIG. 4

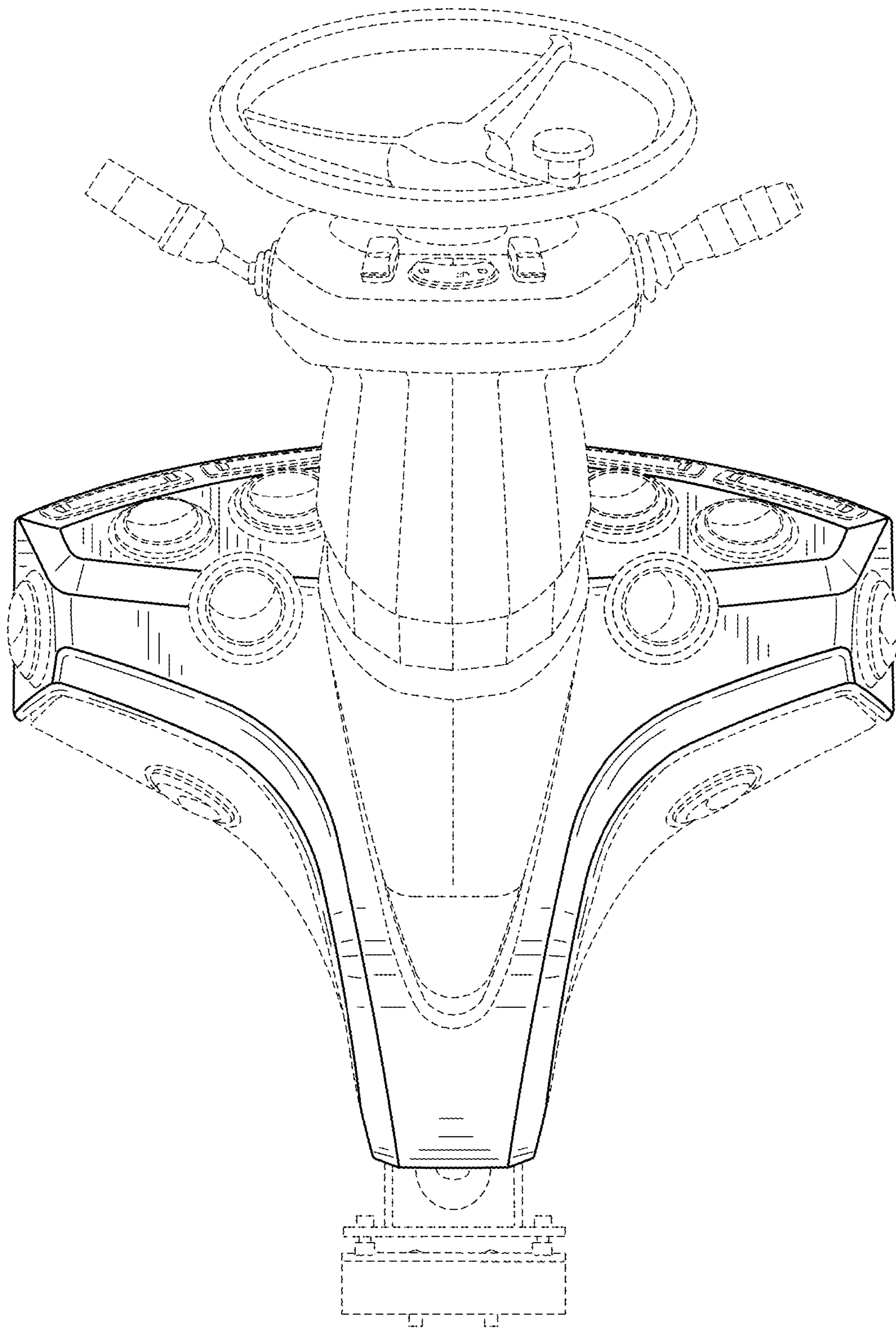


FIG. 5

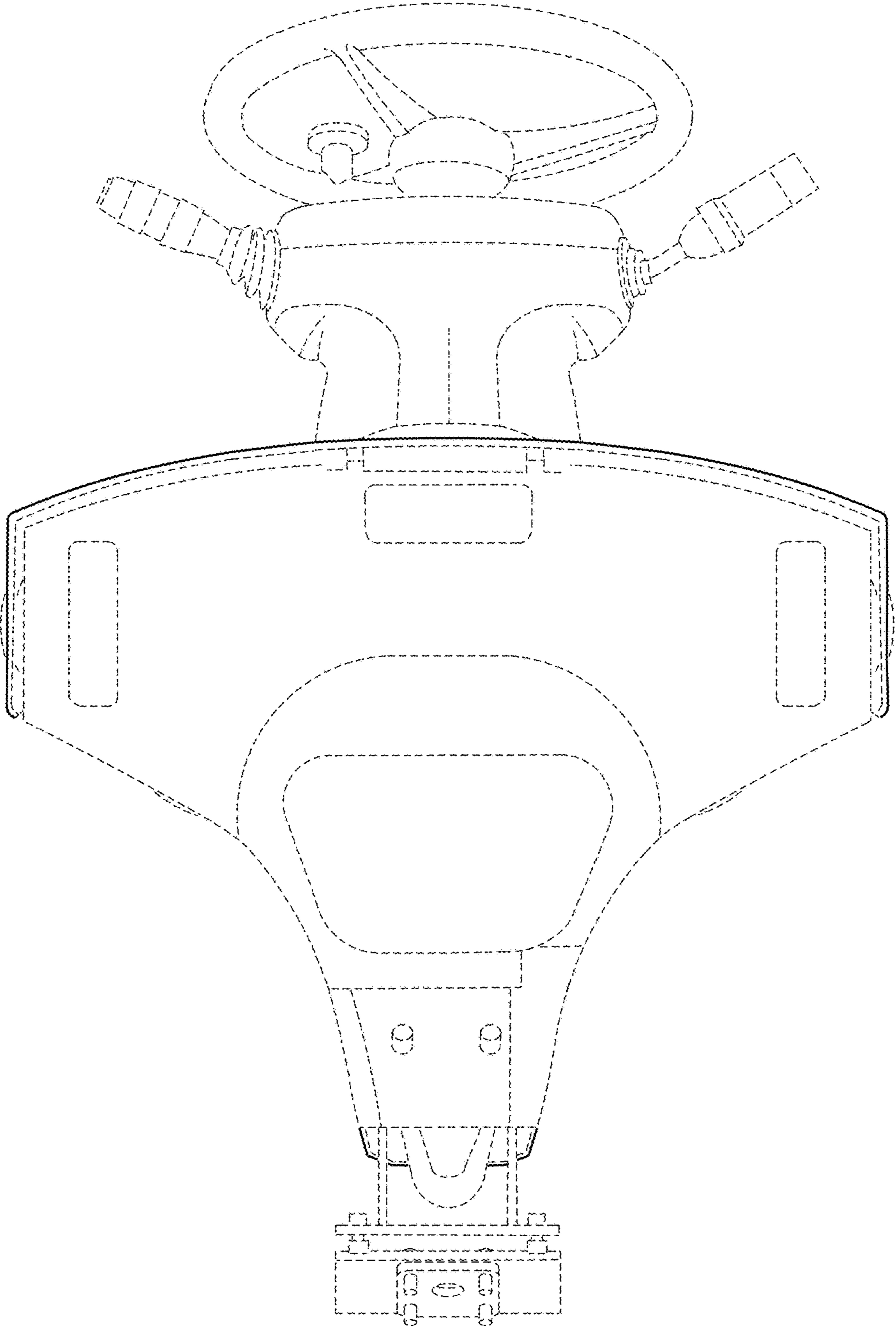


FIG. 6

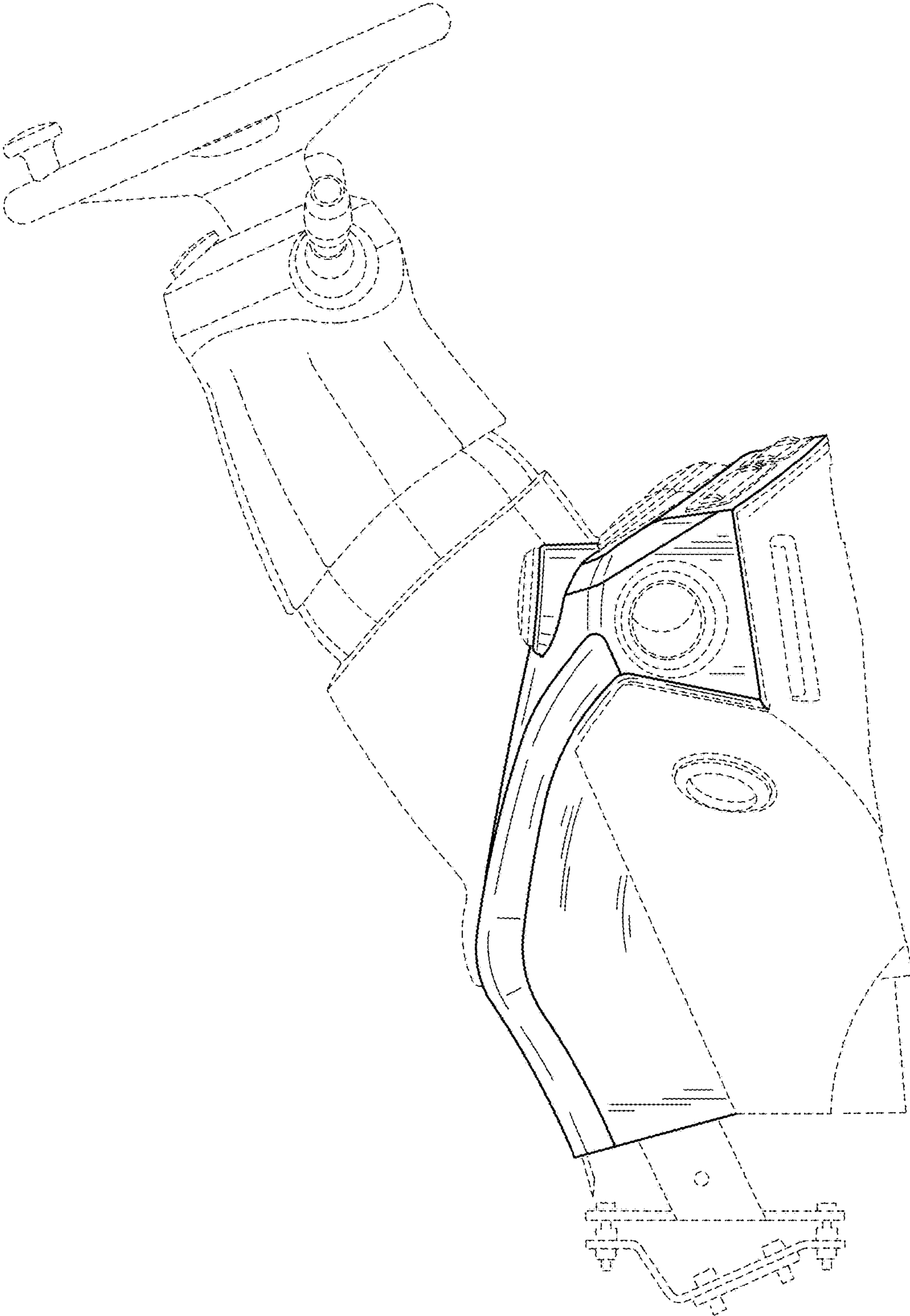


FIG. 7

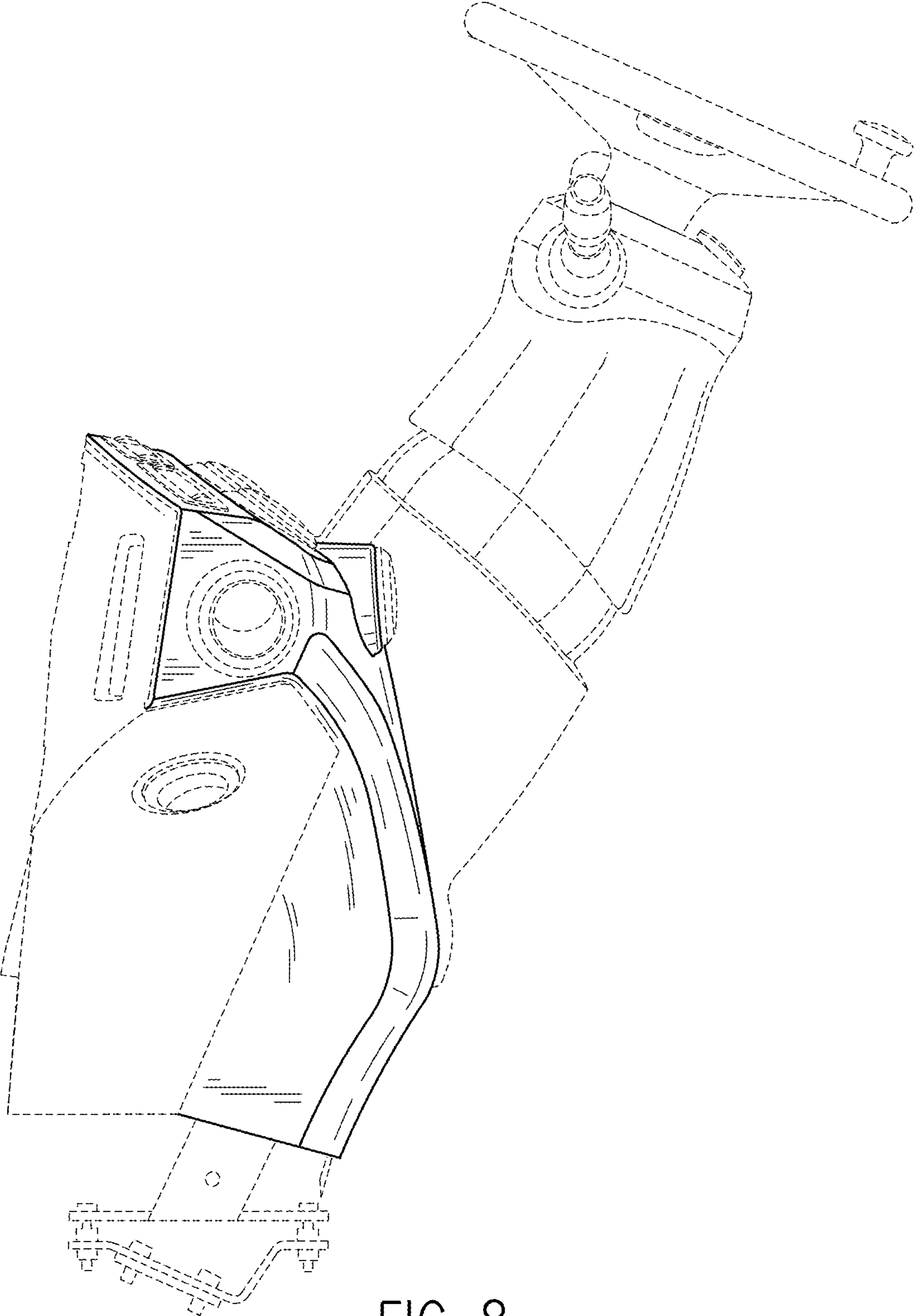


FIG. 8

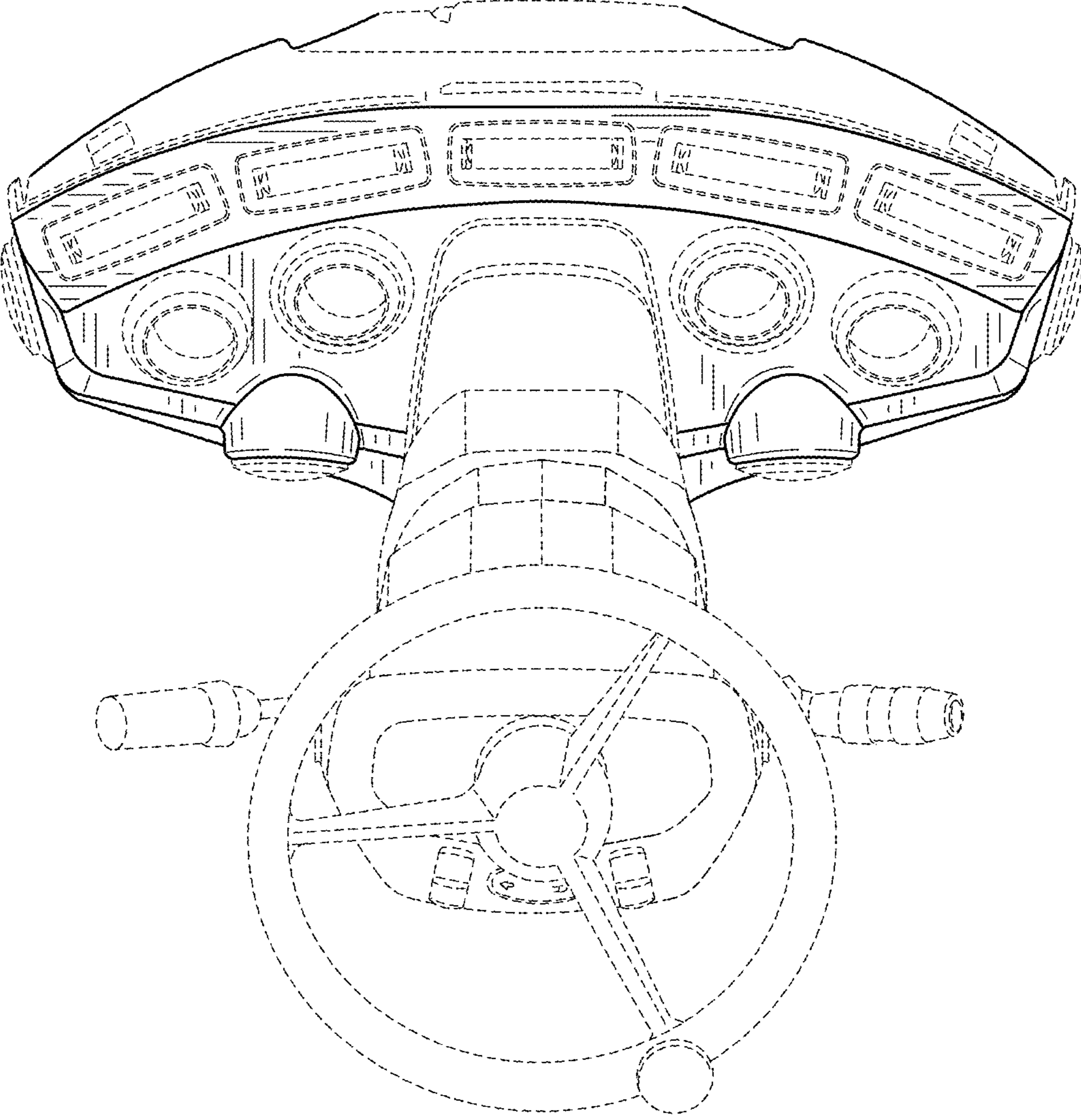


FIG. 9

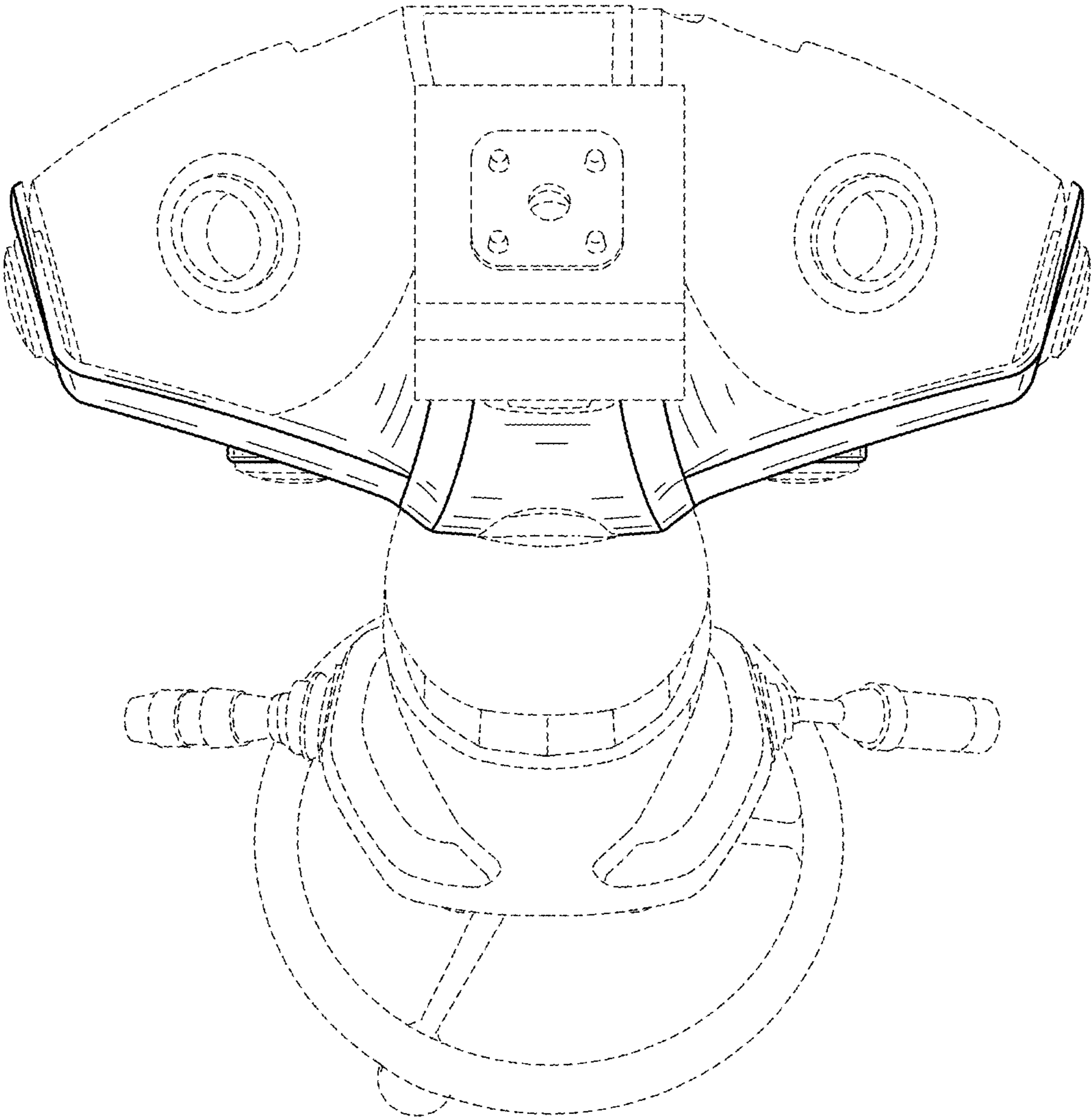


FIG. 10