



US00D822070S

(12) **United States Design Patent**  
**Jackson et al.**

(10) **Patent No.:** **US D822,070 S**  
(45) **Date of Patent:** **\*\* Jul. 3, 2018**

(54) **FRONT FENDERS OF AN AGRICULTURAL WORK VEHICLE**

(71) Applicant: **CNH Industrial America LLC**, New Holland, PA (US)

(72) Inventors: **Dwayne St. George Jackson**, Plainfield, IL (US); **Frank Zsigmond Asztalos**, Orchard Lake, MI (US)

(73) Assignee: **CNH Industrial America LLC**, New Holland, PA (US)

(\*\*) Term: **15 Years**

(21) Appl. No.: **29/567,582**

(22) Filed: **Jun. 10, 2016**

(51) **LOC (11) Cl.** ..... **15-03**

(52) **U.S. Cl.**  
USPC ..... **D15/28**

(58) **Field of Classification Search**  
USPC ..... D15/10, 22, 26, 28, 30, 31; 180/89.11, 180/89.12, 89.13, 89.19, 90; 296/190.01, 296/190.08, 210, 190, 202  
CPC . B66C 13/54; E02F 9/16; E02F 9/163; B62D 33/0617; B60J 7/00; B60J 1/004  
See application file for complete search history.

(56) **References Cited**

U.S. PATENT DOCUMENTS

7,222,884 B2 *	5/2007	Callan	.....	B62D 25/182
				280/154
D544,888 S *	6/2007	Mursch	.....	D15/28
D568,341 S *	5/2008	Vaughn	.....	D15/11
D591,774 S *	5/2009	Kokitkar	.....	D15/28
D591,775 S *	5/2009	Kokitkar	.....	D15/28
D604,750 S *	11/2009	Smith	.....	D15/28
D623,103 S *	9/2010	Braga	.....	D12/181
D704,751 S *	5/2014	Furuki	.....	D15/28

D721,106 S *	1/2015	Okuyama	.....	D15/23
D753,192 S *	4/2016	Jackson	.....	D15/28
D754,212 S *	4/2016	Jackson	.....	D15/28
D774,104 S *	12/2016	Underhill	.....	D15/28
D781,353 S *	3/2017	Underhill	.....	D15/28
D794,088 S *	8/2017	Underhill	.....	D15/28

OTHER PUBLICATIONS

- U.S. Appl. No. 29/567,579, filed Jun. 10, 2016, Dwayne St. George Jackson.
- U.S. Appl. No. 29/567,581, filed Jun. 10, 2016, Dwayne St. George Jackson.
- U.S. Appl. No. 29/567,593, filed Jun. 10, 2016, Dwayne St. George Jackson.
- U.S. Appl. No. 29/567,603, filed Jun. 10, 2016, Dwayne St. George Jackson.

(Continued)

*Primary Examiner* — Mark Goodwin  
(74) *Attorney, Agent, or Firm* — Rebecca L. Henkel;  
Rickard K. DeMille

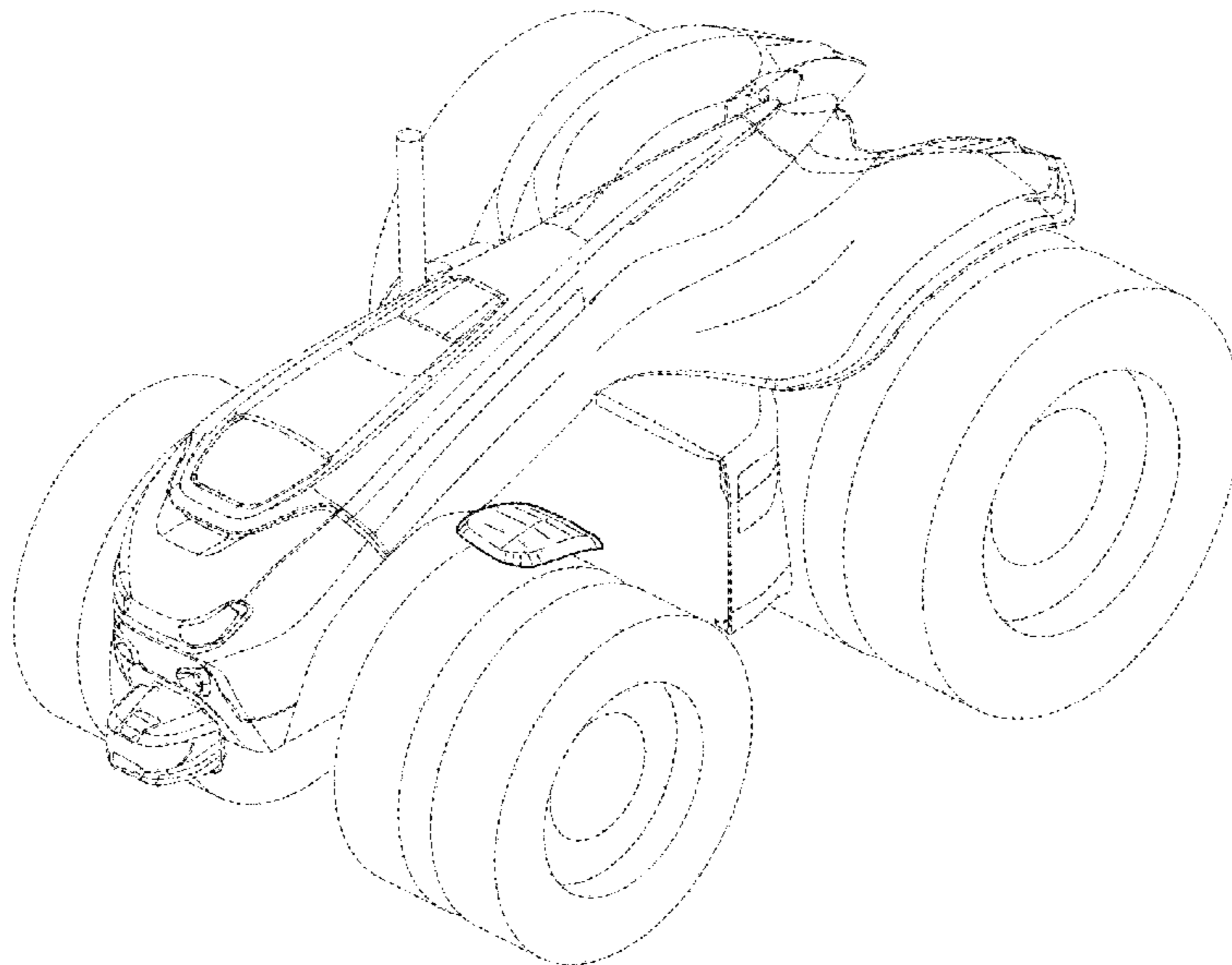
(57) **CLAIM**

The ornamental design for front fenders of an agricultural work vehicle, substantially as shown and described.

**DESCRIPTION**

FIG. 1 is a front perspective view of front fenders of an agricultural work vehicle;  
FIG. 2 is a back perspective view of the front fenders;  
FIG. 3 is a top view of the front fenders;  
FIG. 4 is a right side view of the front fenders;  
FIG. 5 is a left side view of the front fenders;  
FIG. 6 is a front view of the front fenders; and,  
FIG. 7 is a back view of the front fenders.  
Phantom lines, where utilized, are for illustrative purposes only and form no part of the claimed design.

**1 Claim, 7 Drawing Sheets**



(56)

**References Cited**

OTHER PUBLICATIONS

U.S. Appl. No. 29/567,605, filed Jun. 10, 2016, Dwayne St. George Jackson.

U.S. Appl. No. 29/567,607, filed Jun. 10, 2016, Dwayne St. George Jackson.

U.S. Appl. No. 29/567,615, filed Jun. 10, 2016, Dwayne St. George Jackson.

U.S. Appl. No. 29/567,621, filed Jun. 10, 2016, Dwayne St. George Jackson.

U.S. Appl. No. 29/567,622, filed Jun. 10, 2016, Dwayne St. George Jackson.

U.S. Appl. No. 29/567,653, filed Jun. 10, 2016, Frank Zsigmond Asztalos.

\* cited by examiner

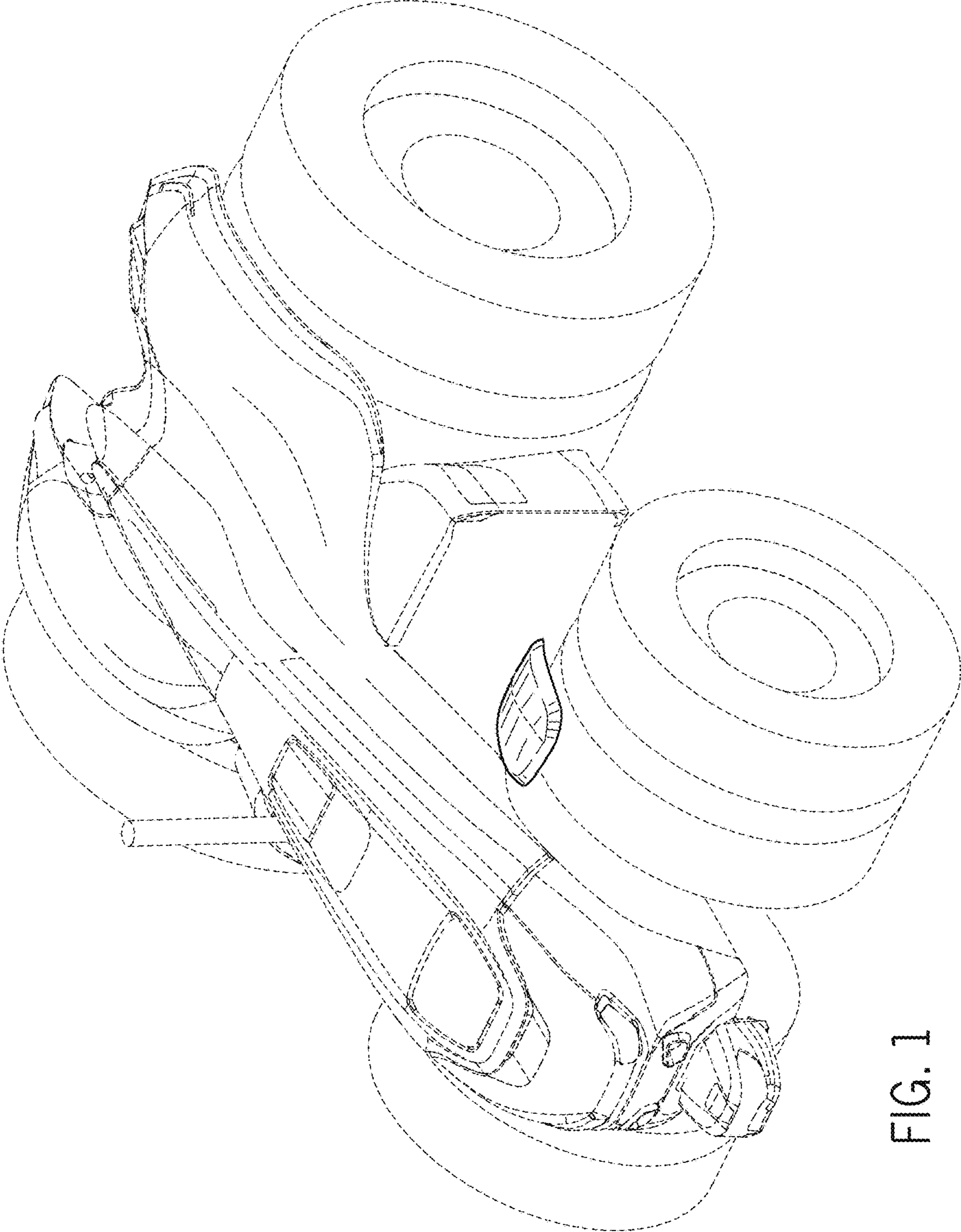


FIG. 1

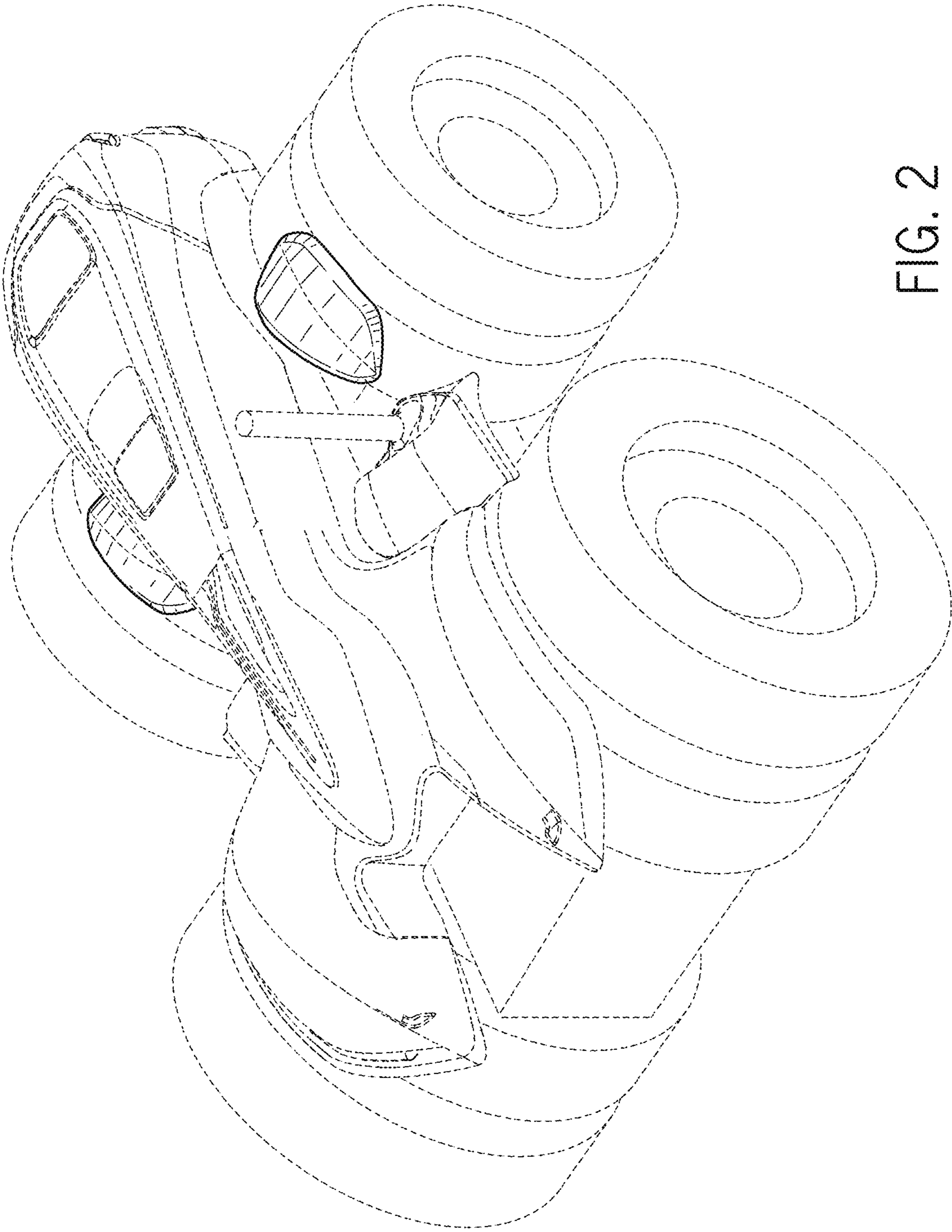


FIG. 2



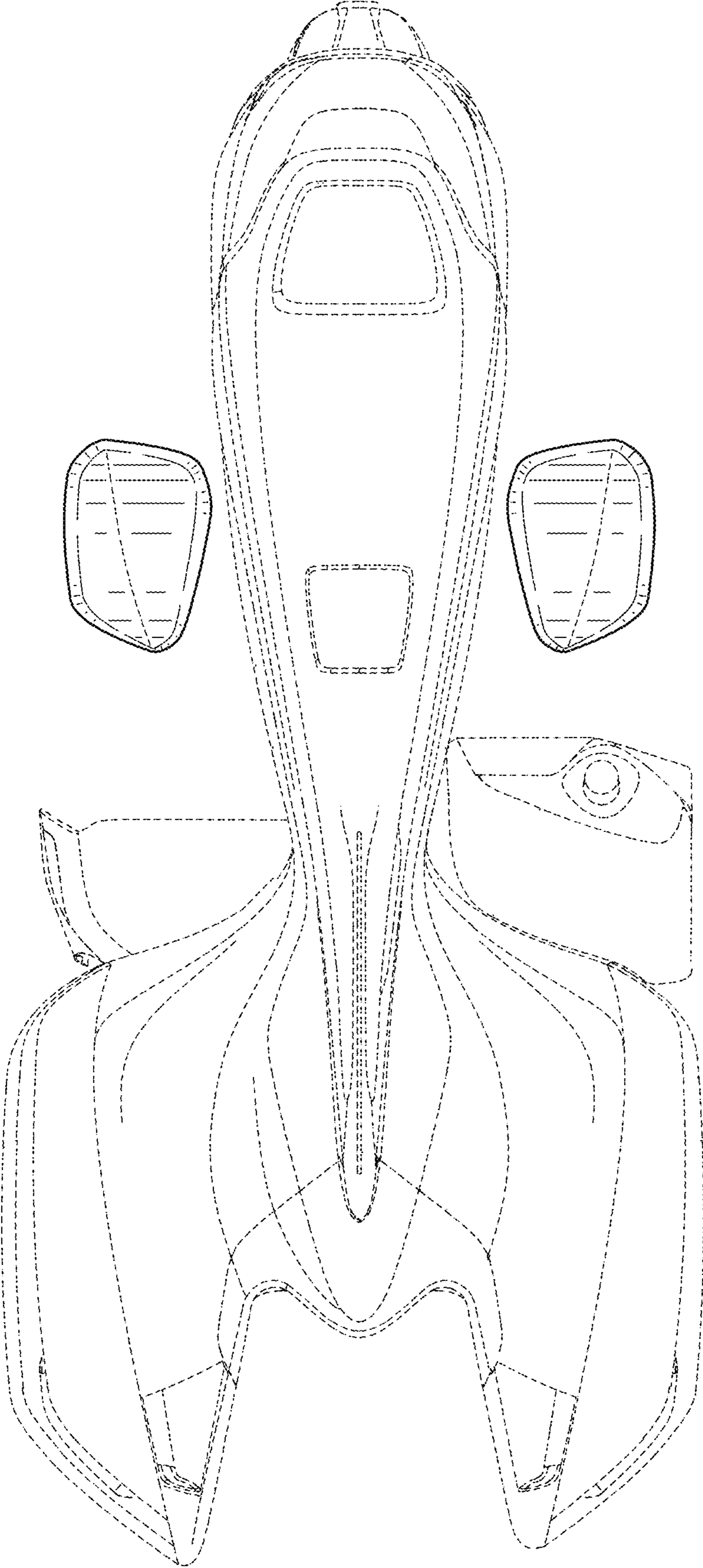


FIG. 3

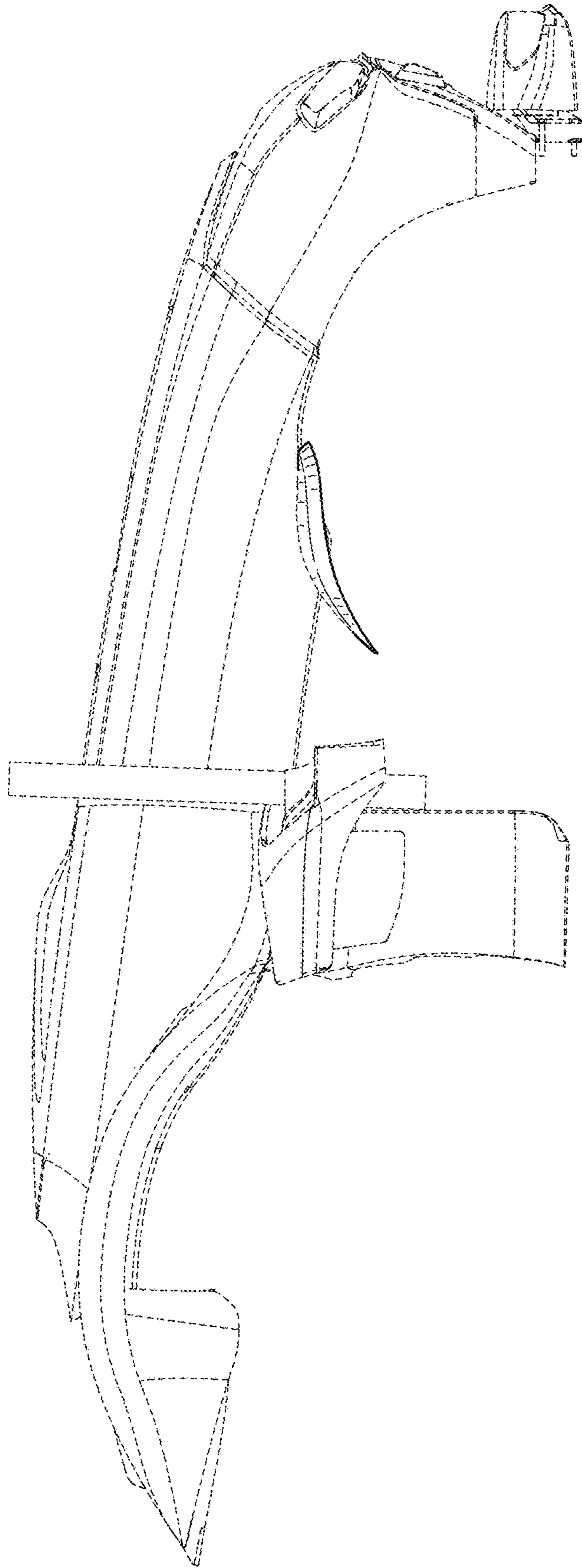


FIG. 4

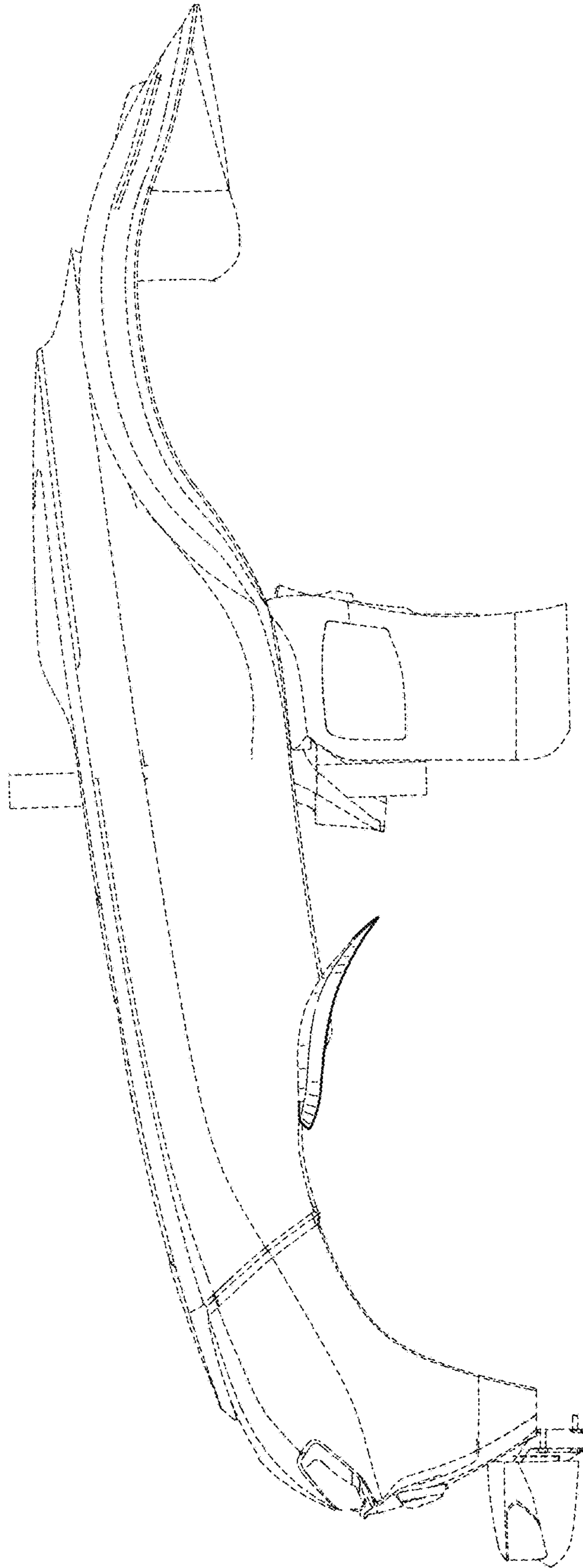


FIG. 5

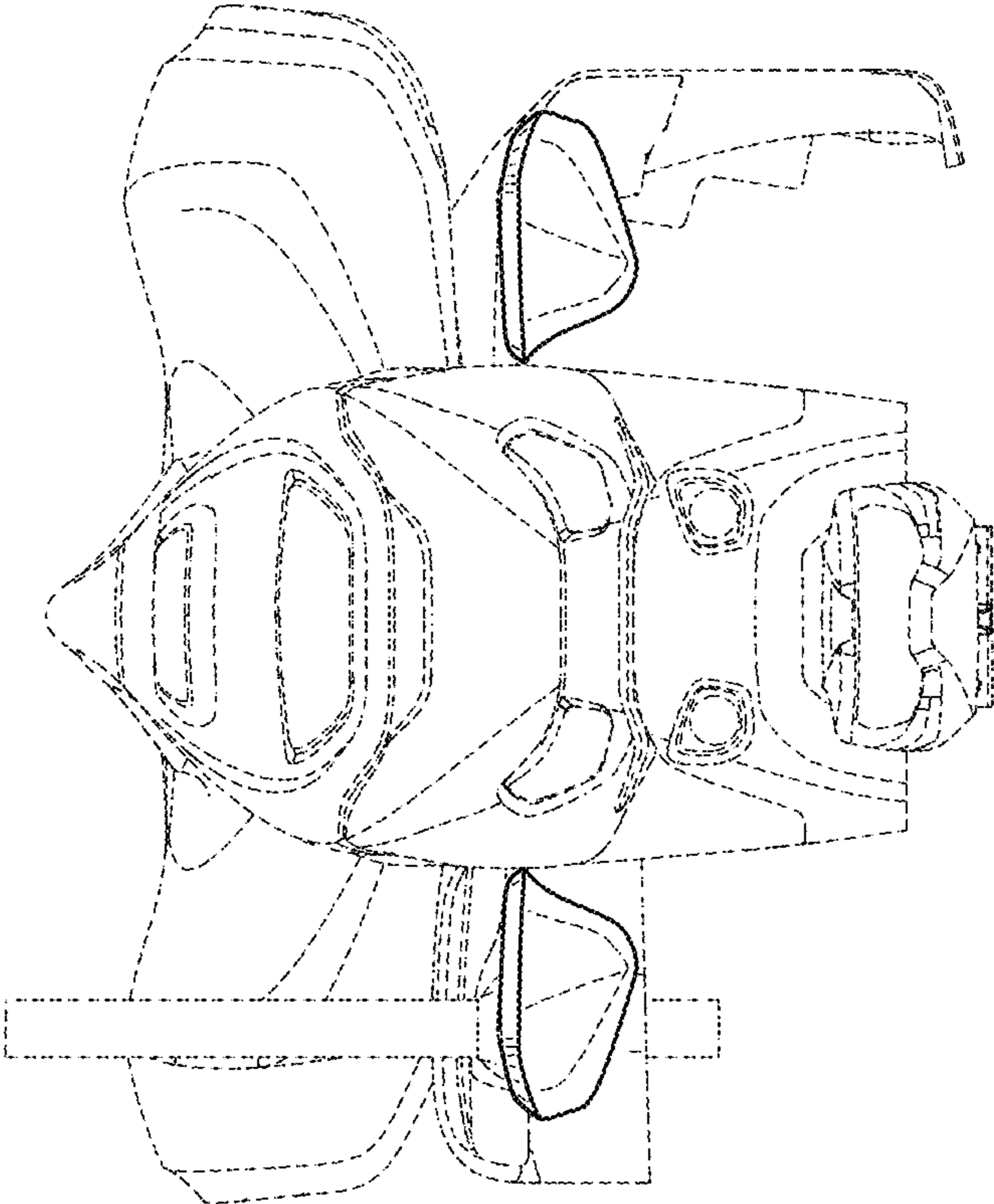


FIG. 6



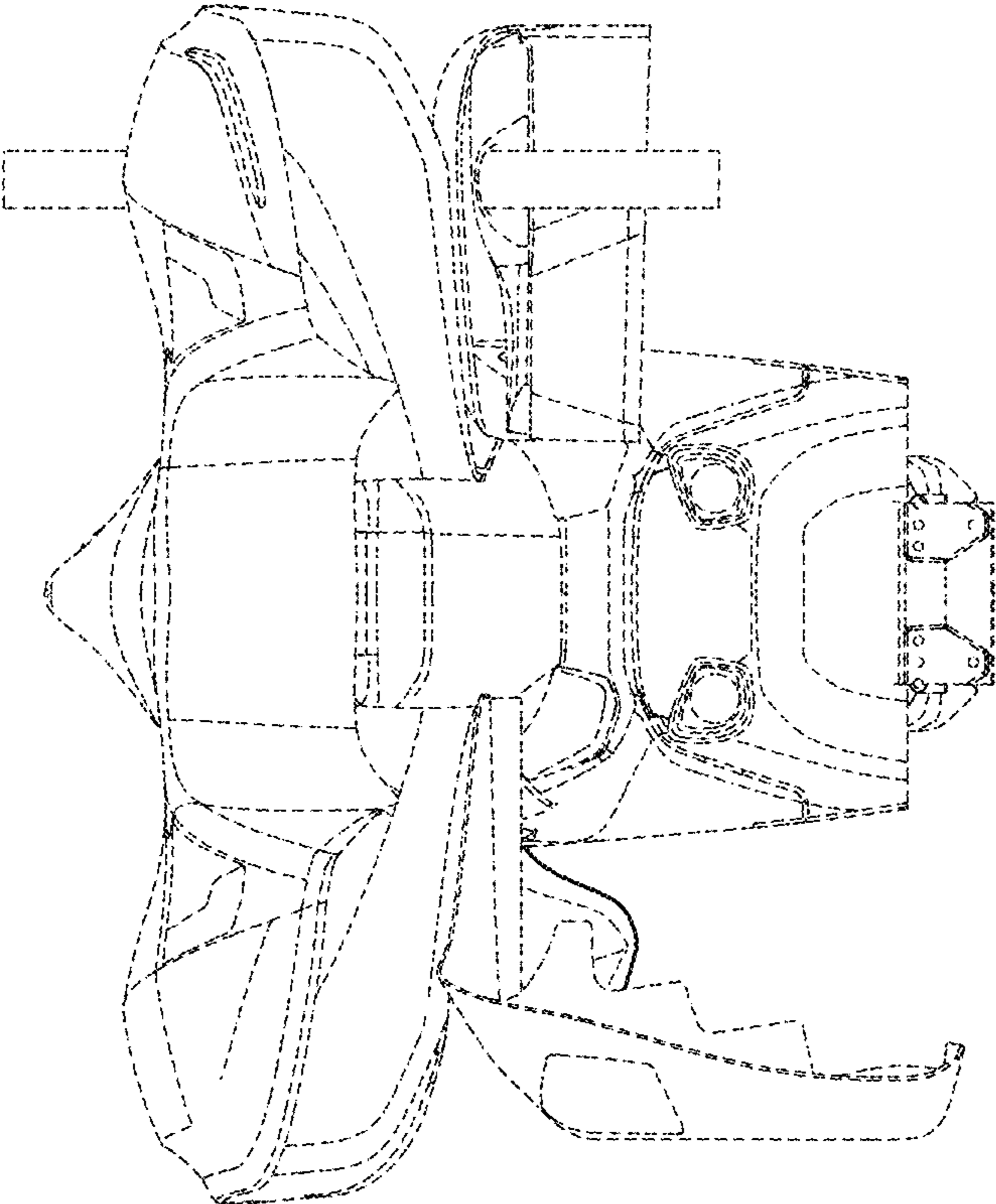


FIG. 7