



US00D822066S

(12) **United States Design Patent**
Nakaura et al.

(10) **Patent No.:** **US D822,066 S**
(45) **Date of Patent:** **** Jul. 3, 2018**

(54) **OUTBOARD MOTOR FOR A VESSEL**

(71) Applicant: **Honda Motor Co., Ltd.**, Tokyo (JP)

(72) Inventors: **So Nakaura**, Wako (JP); **Koji Terada**,
Wako (JP); **Kazuo Miyamoto**, Wako
(JP)

(73) Assignee: **HONDA MOTOR CO., LTD.**, Tokyo
(JP)

(**) Term: **15 Years**

(21) Appl. No.: **29/611,597**

(22) Filed: **Jul. 24, 2017**

(30) **Foreign Application Priority Data**

Feb. 3, 2017 (JP) 2017-001929

(51) **LOC (11) Cl.** **15-01**

(52) **U.S. Cl.**
USPC **D15/4**

(58) **Field of Classification Search**
USPC D15/4, 5
CPC .. B63H 20/32; B63H 2020/323; B63H 23/30;
B63H 23/08; B63H 23/22; B63H 5/14;
B63H 5/15; B63H 21/165; B63H 21/17;
B63H 21/38; B63H 5/125; B63B 35/68
See application file for complete search history.

(56) **References Cited**

U.S. PATENT DOCUMENTS

6,579,135 B2 * 6/2003 Nemoto B63H 20/08
440/76
D489,380 S * 5/2004 Ohsumi D15/4
7,001,231 B1 * 2/2006 Halley B63H 20/245
440/88 G
D531,639 S * 11/2006 Okamoto D15/4
D536,704 S * 2/2007 Iekura D15/4

D537,838 S * 3/2007 Iekura D15/4
D589,981 S * 4/2009 Iekura D15/4
D623,661 S * 9/2010 Yamagishi D15/4
D629,015 S * 12/2010 Iekura D15/4
D635,586 S * 4/2011 Okamoto D15/4
D643,440 S * 8/2011 Dannenberg D15/4
D663,321 S * 7/2012 Okamoto D15/3
D663,745 S * 7/2012 Isono D15/4
8,651,906 B1 * 2/2014 Morton B63H 20/32
440/77
8,818,587 B1 * 8/2014 Arbuckle B63H 25/02
440/53
D727,969 S * 4/2015 Okamoto D15/4
9,376,194 B1 * 6/2016 Jensen B63H 20/245
2005/0272322 A1 * 12/2005 Mizuguchi B63H 20/10
440/61 R

* cited by examiner

Primary Examiner — T. Chase Nelson

Assistant Examiner — Ania Aman

(74) *Attorney, Agent, or Firm* — Westerman, Hattori,
Daniels & Adrian, LLP

(57) **CLAIM**

The ornamental design for an outboard motor for a vessel,
as shown and described.

DESCRIPTION

FIG. 1 is a first perspective view of an outboard motor for
a vessel.

FIG. 2 is a second perspective view thereof.

FIG. 3 is a front elevation view thereof.

FIG. 4 is a rear elevation view thereof.

FIG. 5 is a top plan view thereof.

FIG. 6 is a right side elevation view thereof; and,

FIG. 7 is a left side elevation view thereof.

The broken lines in the drawings illustrate portions of the
outboard motor for a vessel that form no part of the claimed
design.

1 Claim, 7 Drawing Sheets

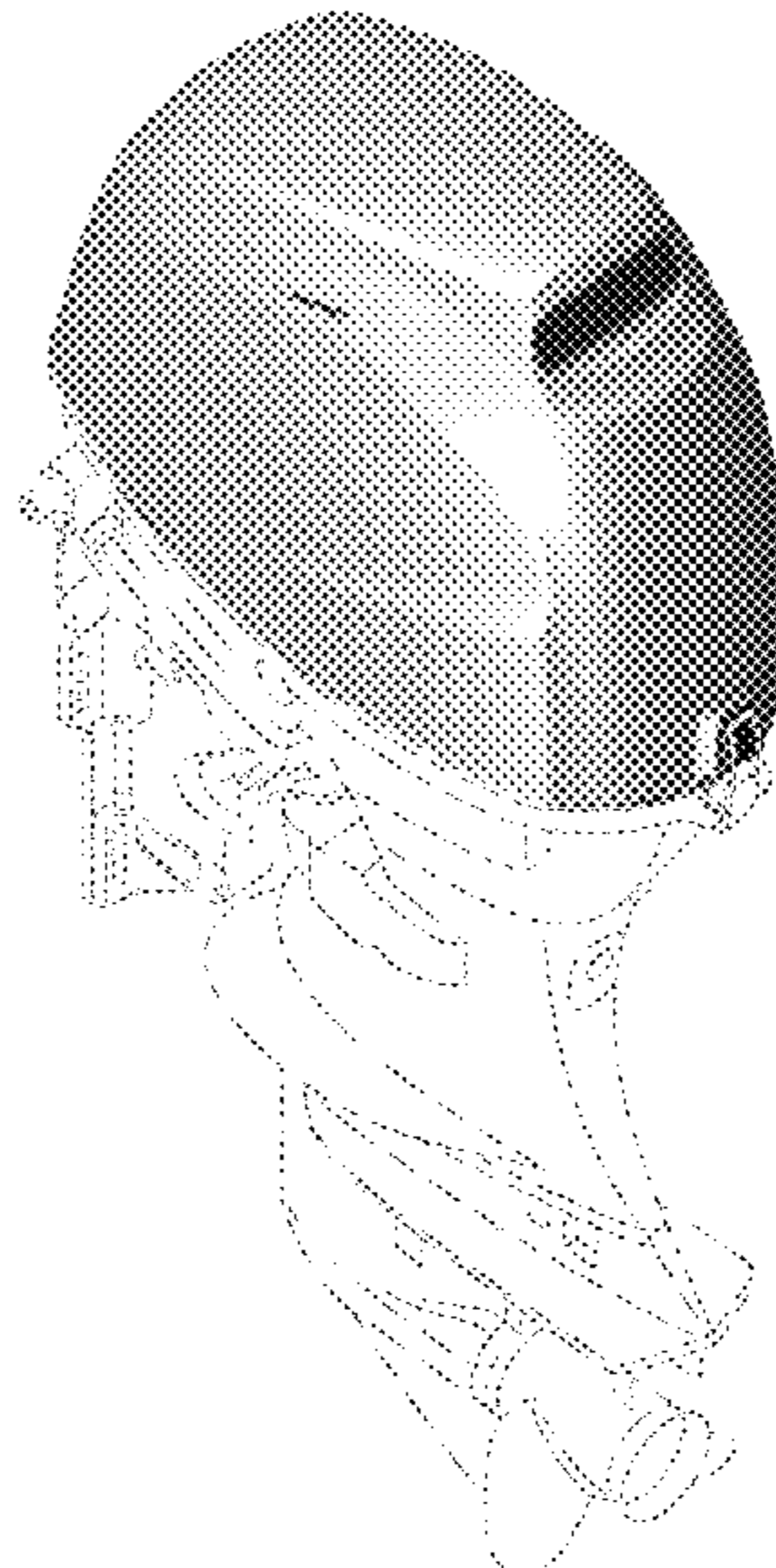


Fig. 1

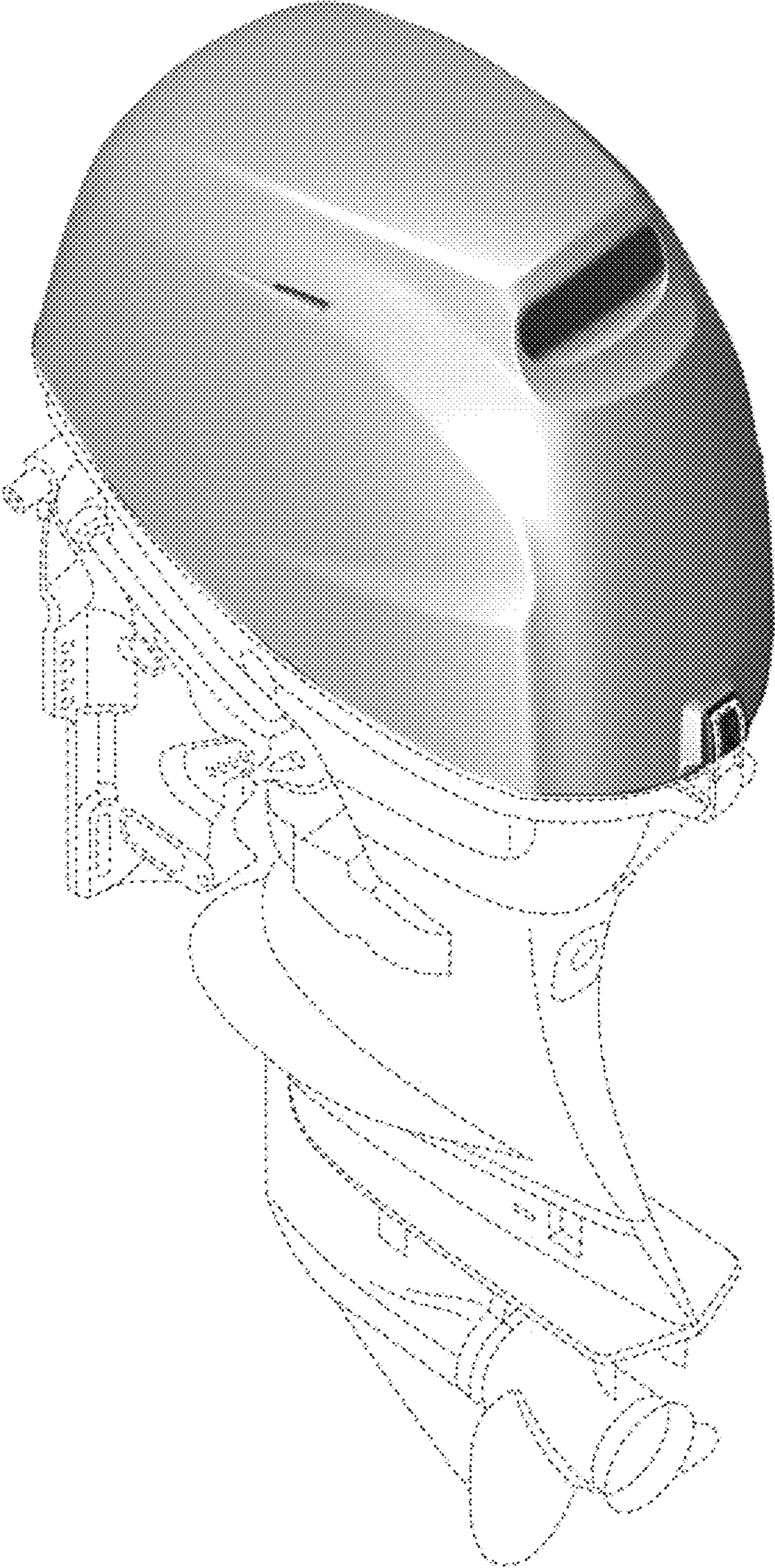


Fig. 2

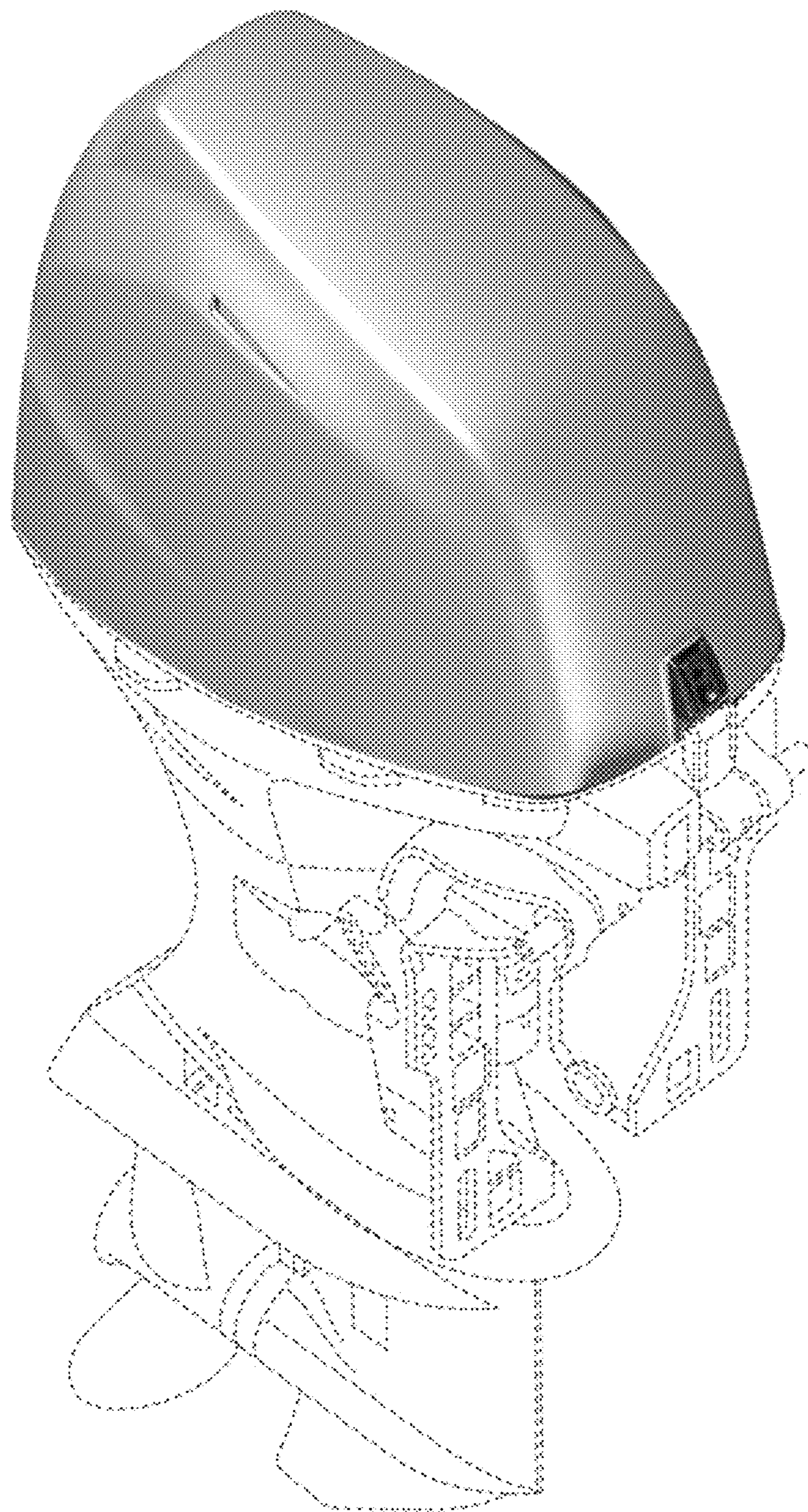


Fig. 3

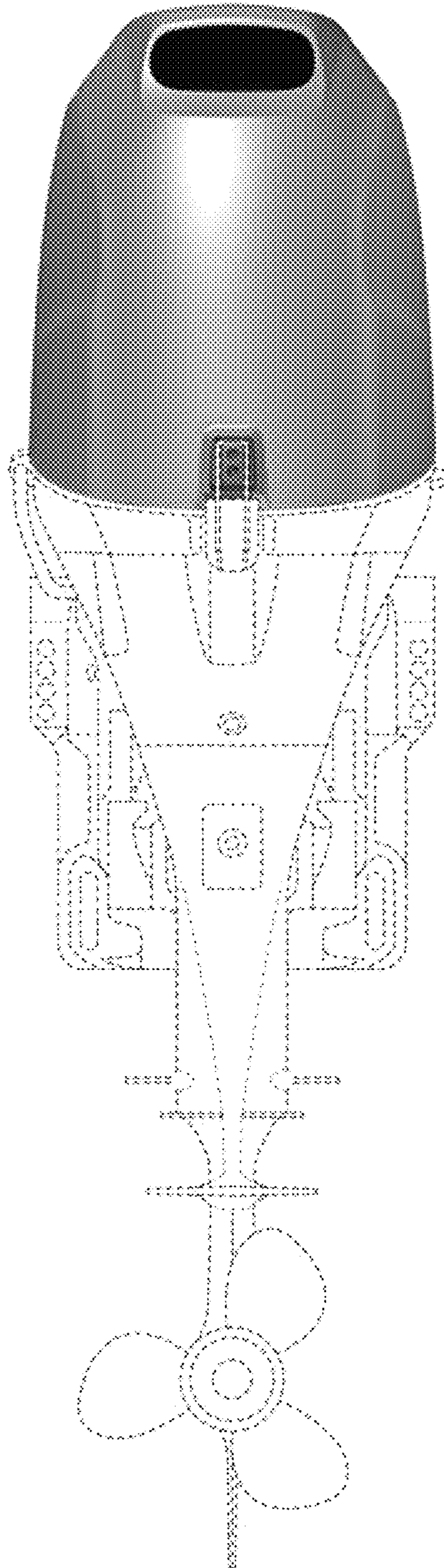


Fig. 4

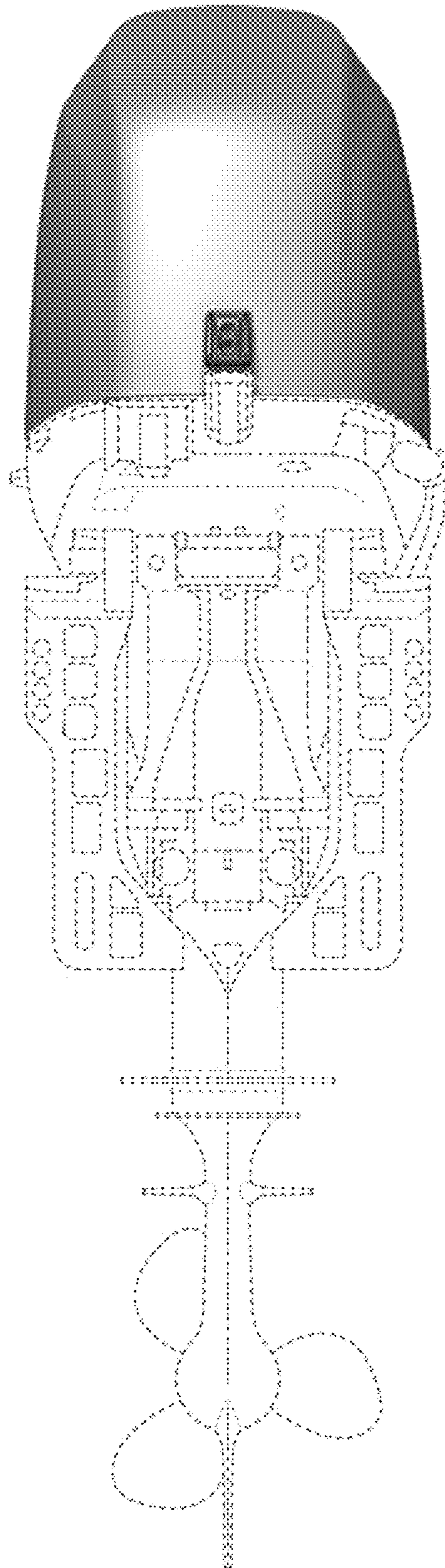


Fig. 5

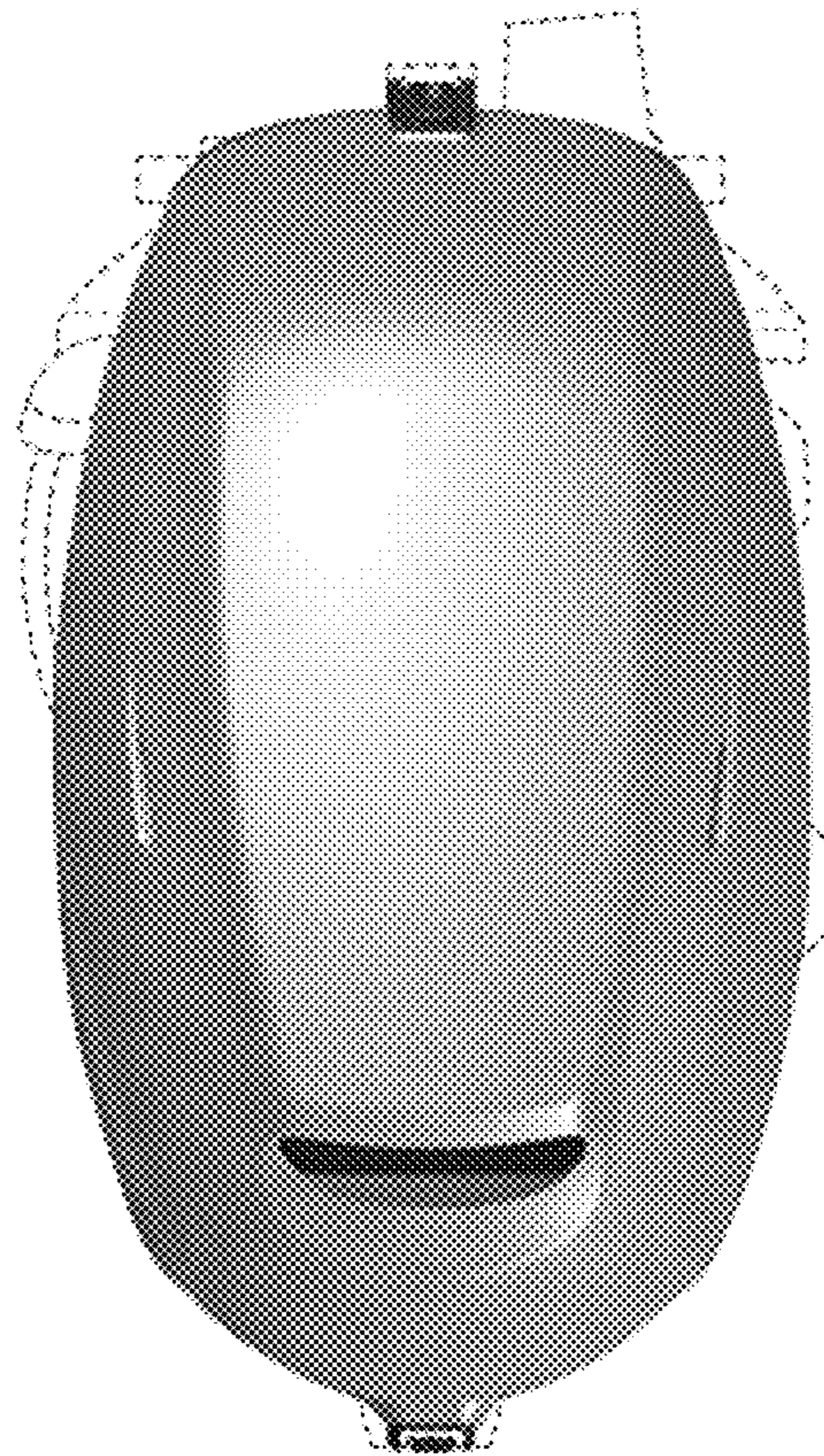


Fig. 6

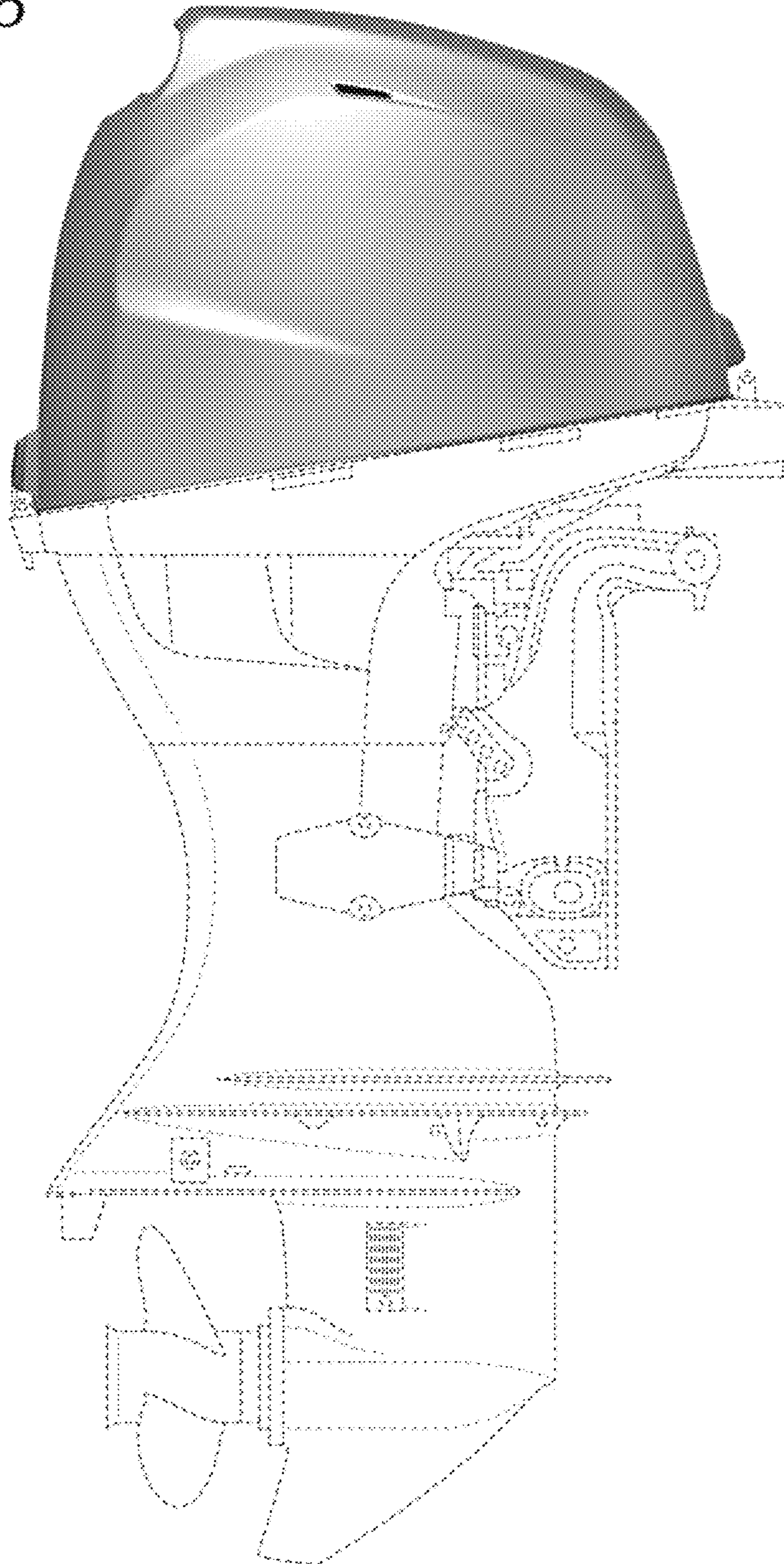


Fig. 7

