



US00D822065S

(12) **United States Design Patent**
Kang

(10) **Patent No.:** **US D822,065 S**
(45) **Date of Patent:** **** Jul. 3, 2018**

(54) **MOBILE COMPUTER**

(71) Applicant: **Toshiba Client Solutions CO., LTD.**,
Tokyo (JP)

(72) Inventor: **Chingting Kang**, Tokyo (JP)

(73) Assignee: **TOSHIBA CLIENT SOLUTIONS**
CO., LTD., Tokyo (JP)

(**) Term: **15 Years**

(21) Appl. No.: **29/604,783**

(22) Filed: **May 19, 2017**

(30) **Foreign Application Priority Data**

Nov. 24, 2016 (JP) 2016-025461

(51) **LOC (11) Cl.** **14-03**

(52) **U.S. Cl.**
USPC **D14/496**; D14/203.3; D14/203.7

(58) **Field of Classification Search**
USPC D21/324-333; D14/341-346, 356, 432,
D14/496, 207.3, 203.7, 507, 399-401;
273/148 B; 463/1, 29-47; 345/156-161,
345/168, 169, 172; 341/22, 23
CPC A63F 9/00; A63F 9/24; A63F 13/00; G06F
17/00; G06F 19/00; G07F 17/32; H01H
9/20

See application file for complete search history.

(56) **References Cited**

U.S. PATENT DOCUMENTS

- 5,859,594 A * 1/1999 King G08B 5/225
340/7.43
- 6,593,914 B1 * 7/2003 Nuovo G06F 1/1626
341/22
- 6,769,603 B2 * 8/2004 Nagai G11B 20/10527
235/375

- 6,977,675 B2 * 12/2005 Kotzin G06F 1/1626
345/156
- D532,425 S * 11/2006 Kim D14/203.7
- D538,297 S * 3/2007 Ching D14/203.3
- 7,203,529 B2 * 4/2007 Kim H04N 1/2112
348/E7.079
- 7,281,214 B2 * 10/2007 Fadell G06F 3/0219
345/172
- D584,316 S 1/2009 Sheng et al.
- 7,647,129 B1 * 1/2010 Griffin, Jr. H04B 1/3822
700/94
- D610,568 S * 2/2010 Yu D14/203.1
- D626,936 S * 11/2010 Yeo D14/203.3

(Continued)

FOREIGN PATENT DOCUMENTS

- JP D1120873 9/2001
- JP D1221654 11/2004

Primary Examiner — Prabhakar G Deshmukh
(74) *Attorney, Agent, or Firm* — Banner & Witcoff, Ltd.

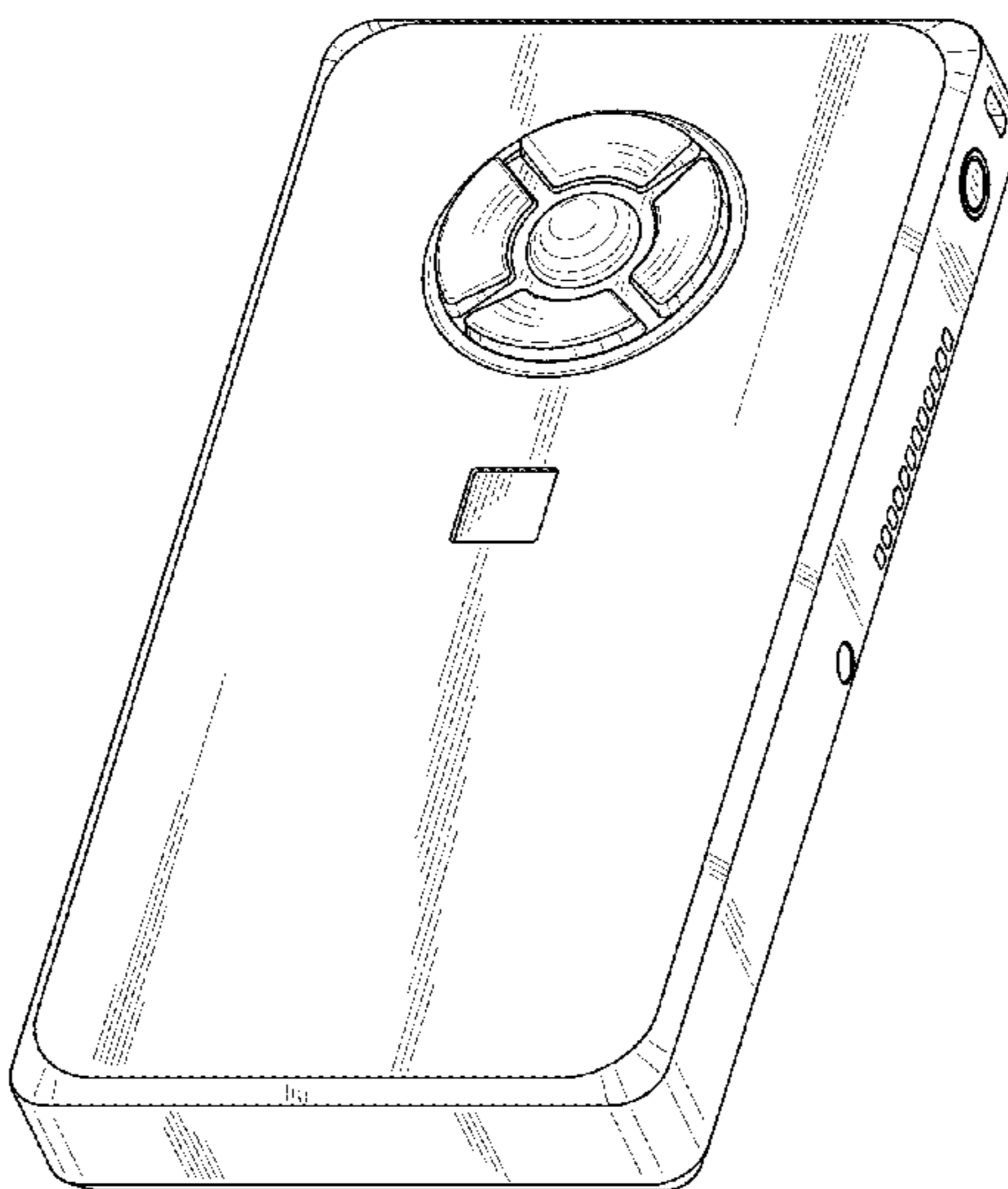
(57) **CLAIM**

The ornamental design for a mobile computer, as shown and described.

DESCRIPTION

FIG. 1 is a front, bottom and right side perspective view of a mobile computer, showing my new design;
FIG. 2 is a rear, top and left side perspective view thereof;
FIG. 3 is a front view thereof;
FIG. 4 is a rear view thereof;
FIG. 5 is a right side view thereof;
FIG. 6 is a left side view thereof;
FIG. 7 is a top view thereof;
FIG. 8 is a bottom view thereof; and,
FIG. 9 is a sectional view taken along line 9-9 of FIG. 3.
The broken lines in FIG. 9 showing the remainder thereof is for environmental purposes only and form no part of the claimed design.

1 Claim, 7 Drawing Sheets



(56)

References Cited

U.S. PATENT DOCUMENTS

7,856,255 B2 * 12/2010 Tsuchiya G06F 1/1616
200/11 TW
D643,401 S * 8/2011 Chen D14/203.3

* cited by examiner

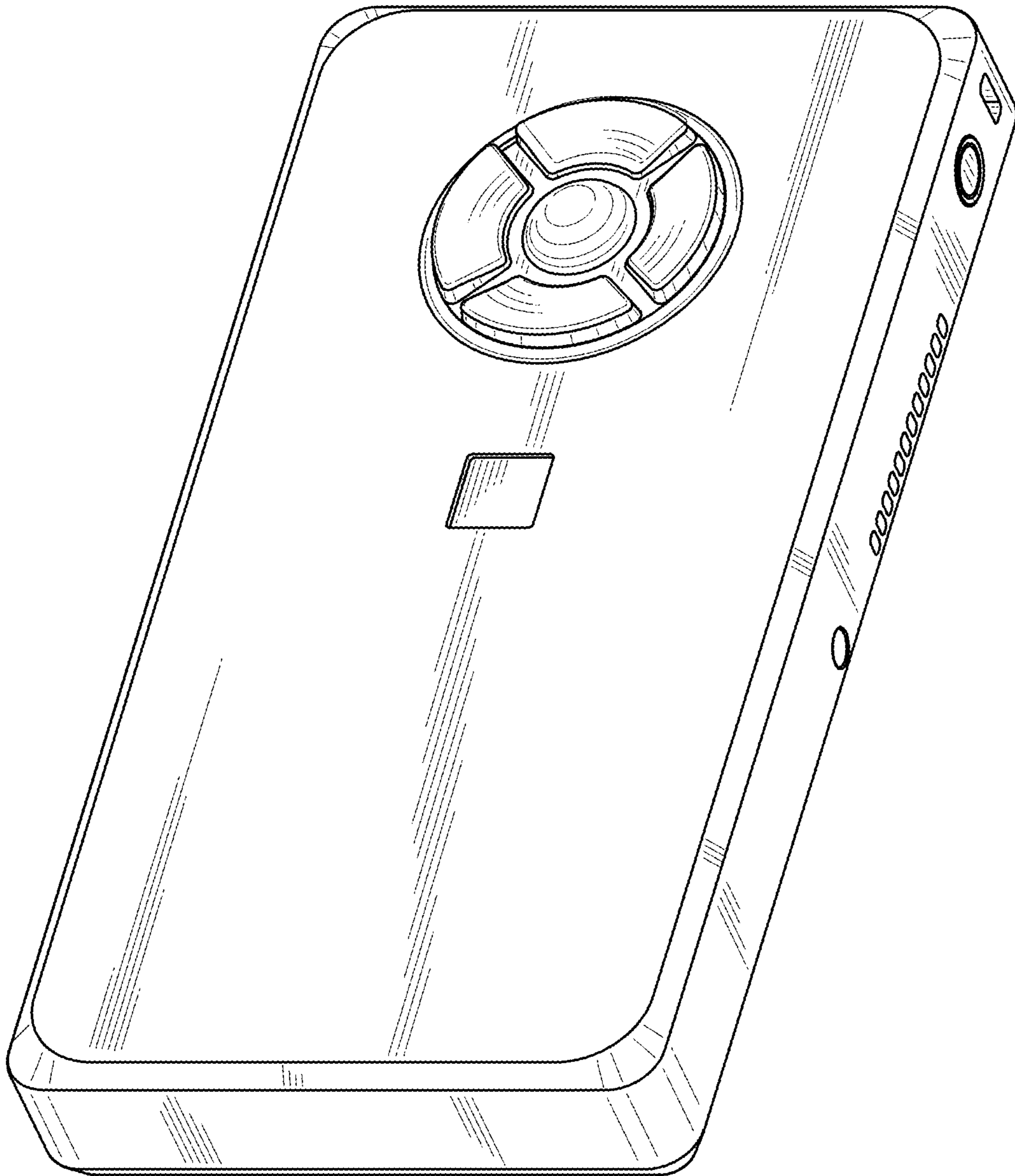


Fig. 1

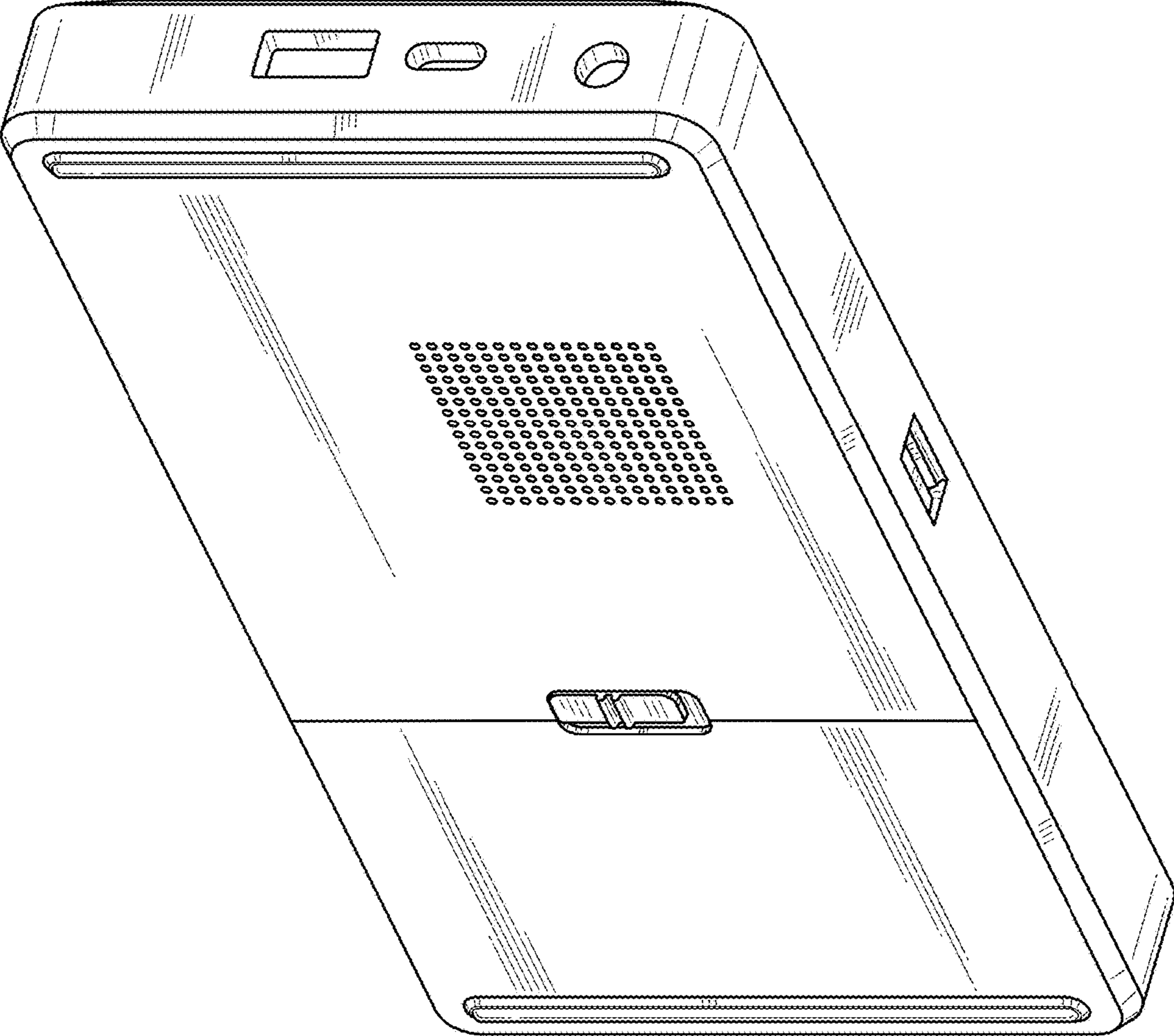


Fig. 2

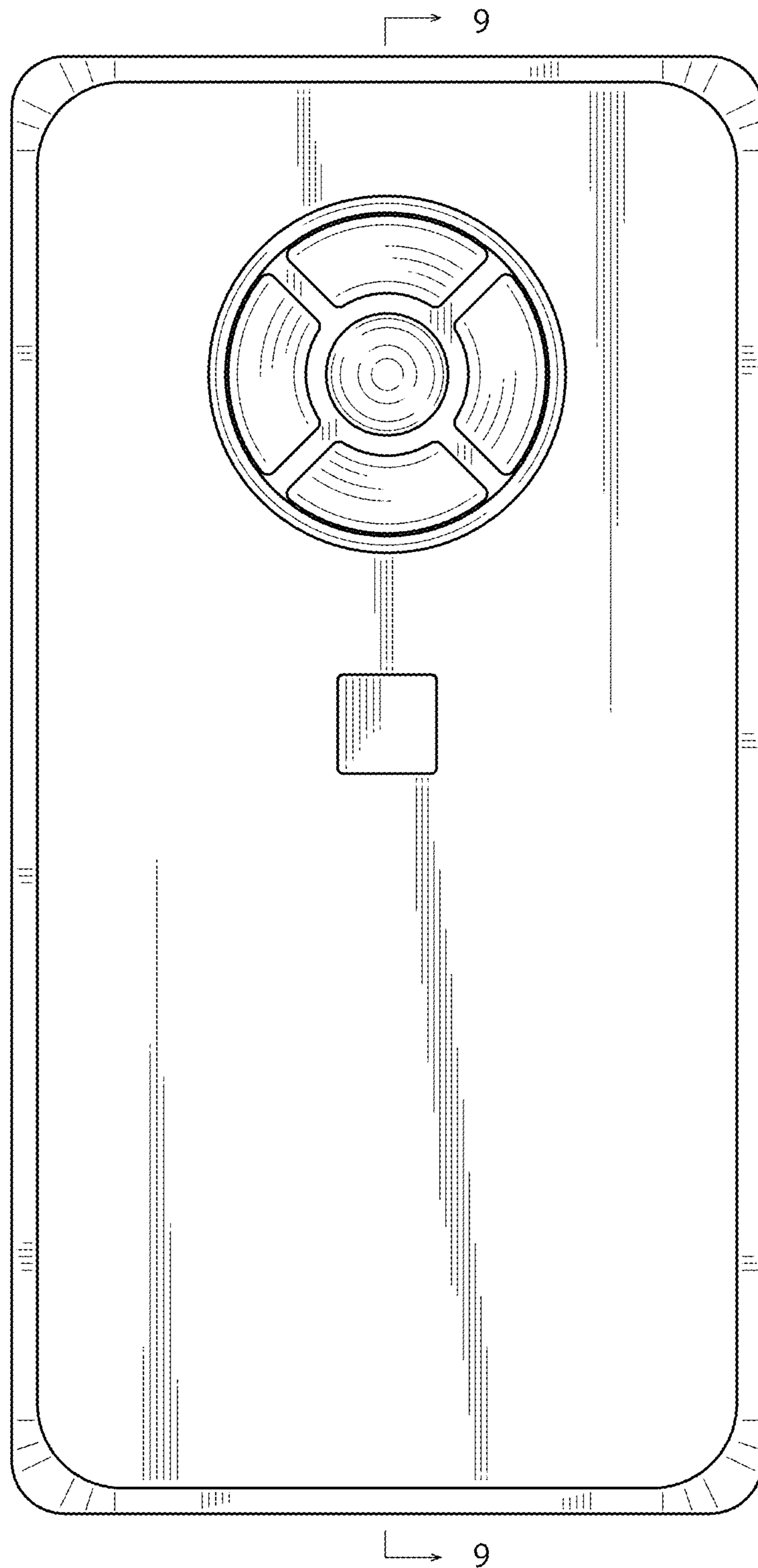


Fig. 3

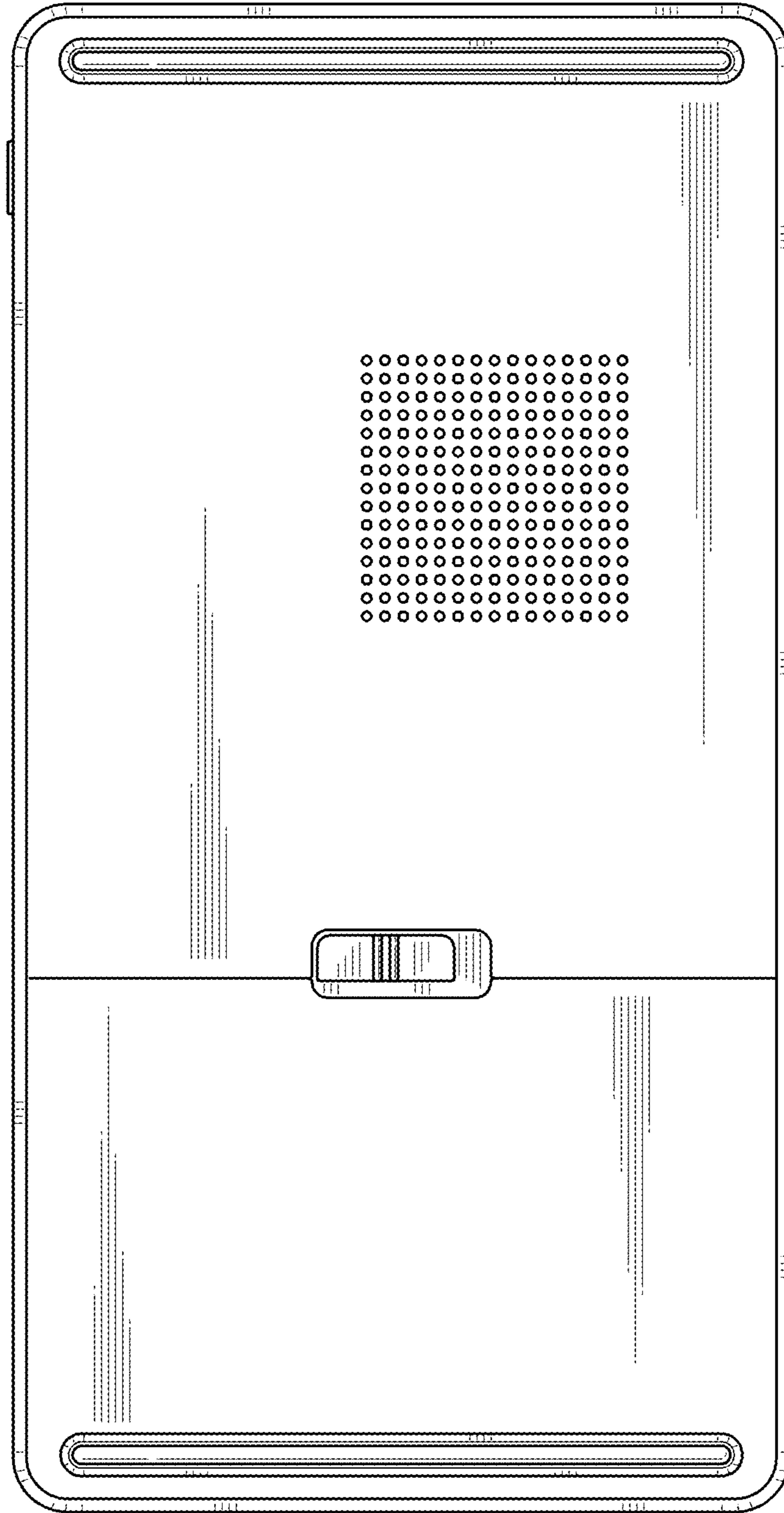


Fig. 4

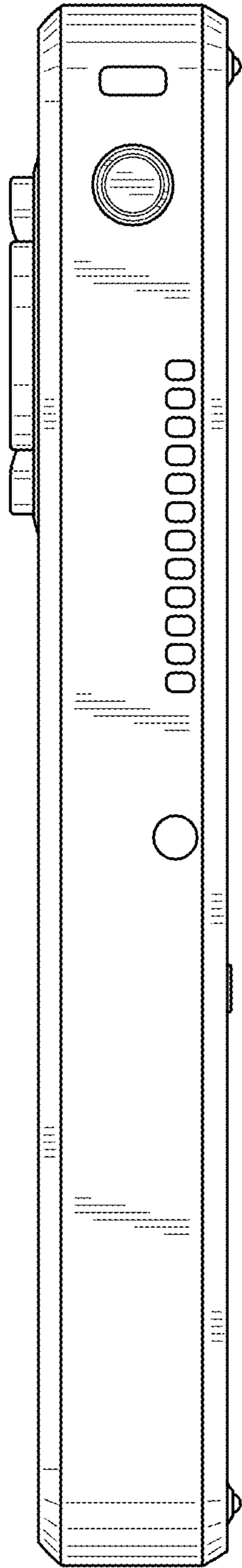


Fig. 5

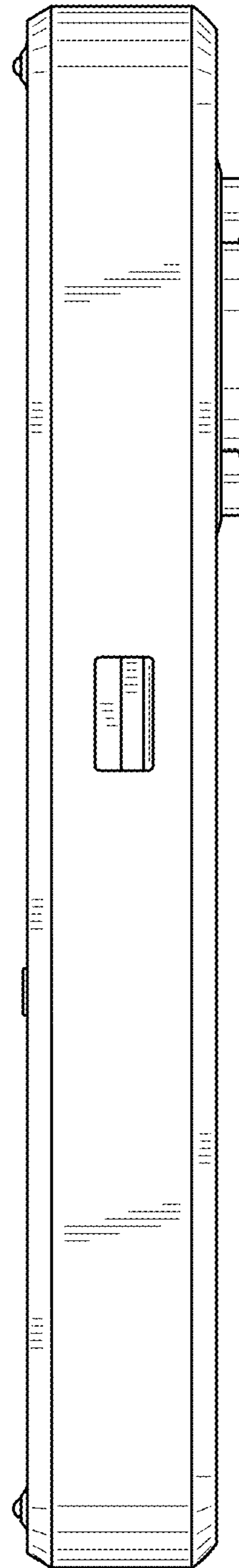


Fig. 6

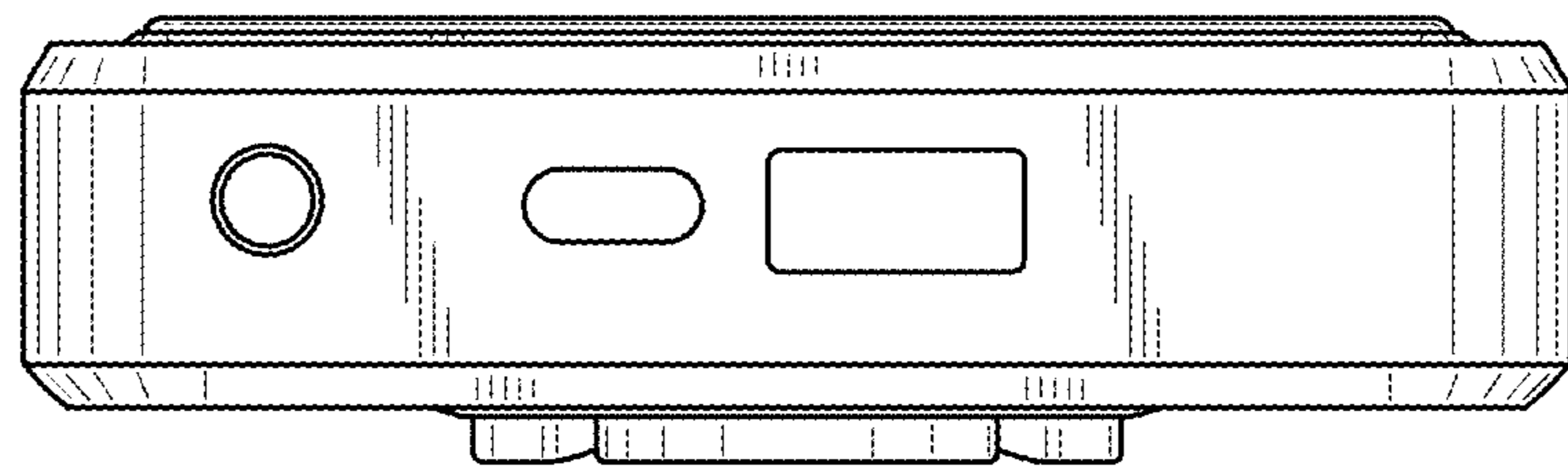


Fig. 7

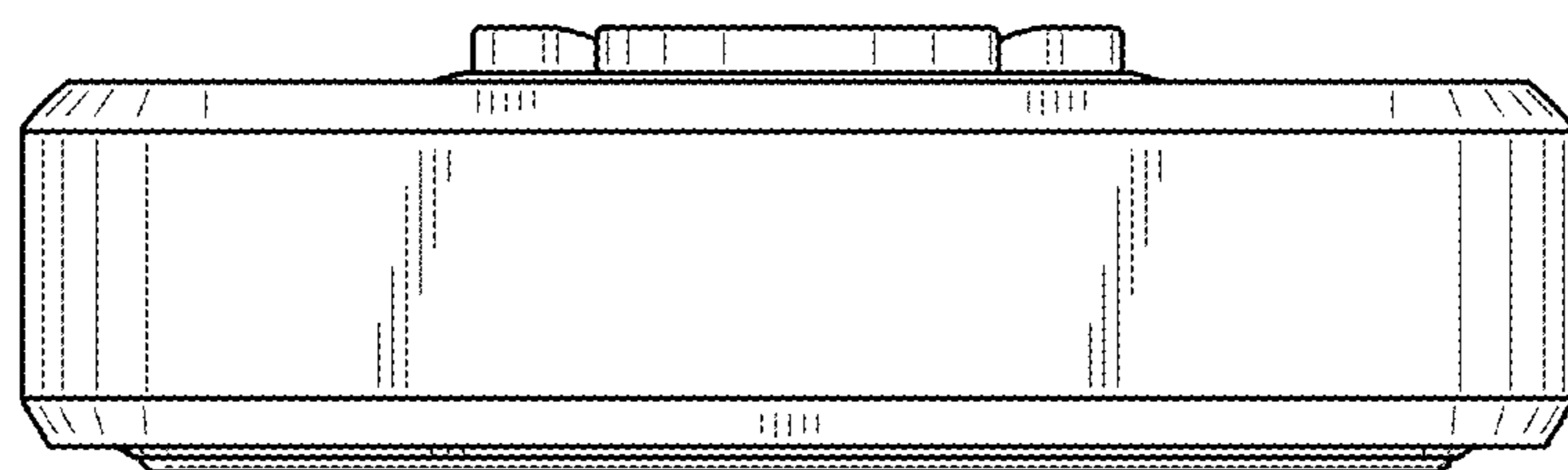


Fig. 8

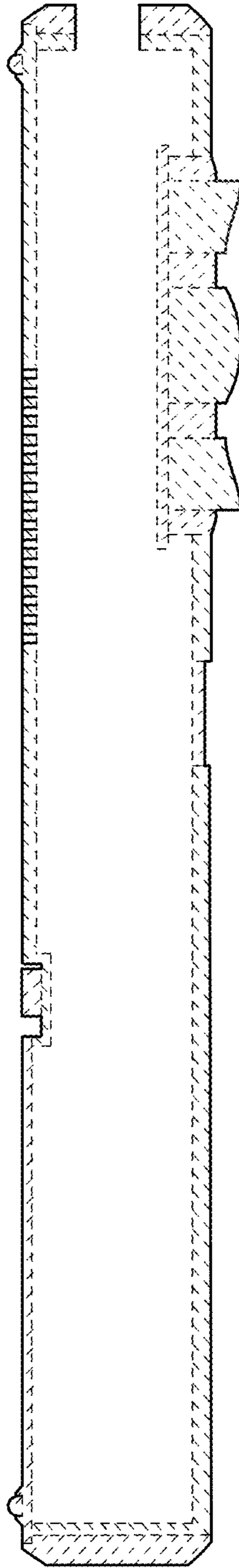


Fig. 9