



US00D822060S

(12) **United States Design Patent** (10) **Patent No.:** **US D822,060 S**
Taylor et al. (45) **Date of Patent:** **** Jul. 3, 2018**

- (54) **AVIONICS DISPLAY WITH ICON**
- (71) Applicant: **Rockwell Collins, Inc.**, Cedar Rapids, IA (US)
- (72) Inventors: **Max G. Taylor**, Hiawatha, IA (US); **Shawn M. Spencer**, Cedar Rapids, IA (US); **Jennifer A. Myren**, Marion, IA (US); **Matthew Jacob Cunnien**, Marion, IA (US); **Michael Armstrong**, Central City, IA (US); **Peter J. Flugstad**, Marion, IA (US); **Roy Allen Rhodes**, Marion, IA (US); **Ryan J. Olson**, Marion, IA (US); **Scott E. Schultz**, Cedar Rapids, IA (US)
- (73) Assignee: **Rockwell Collins, Inc.**, Cedar Rapids, IA (US)

- D432,100 S * 10/2000 Zink D14/490
- D448,422 S * 9/2001 Fredriksson D20/22
- D459,362 S * 6/2002 Platz D14/489
- D466,904 S * 12/2002 McIntosh D14/485

(Continued)

OTHER PUBLICATIONS

Symbol Sourcebook, by Dreyfuss, Van Nostrand Reinhold Company, Inc., New York, NY © 1972, p. 26-27.*

(Continued)

Primary Examiner — Cathron C Brooks
Assistant Examiner — Ian F Whitmore
(74) *Attorney, Agent, or Firm* — Angel N. Gerdzhikov; Donna P. Suchy; Daniel M. Barbieri

(**) Term: **14 Years**
(21) Appl. No.: **29/501,517**

(57) **CLAIM**

The ornamental design for an avionics display with icon, as shown and described.

- (22) Filed: **Sep. 4, 2014**
- (51) **LOC (11) Cl.** **14-04**
- (52) **U.S. Cl.**
USPC **D14/492**
- (58) **Field of Classification Search**
USPC D14/485-495; D18/32; D20/11, 22, 27, D20/28, 39, 40
CPC G06F 3/048-3/04897; G06F 17/50; G06F 3/033; G06F 17/30061; A63F 2300/66; A63F 2300/8082; H04L 29/08684; G01C 21/36
See application file for complete search history.

DESCRIPTION

A portion of the disclosure of this patent document contains material to which a claim for copyright is made. The copyright owner has no objection to the facsimile reproduction by anyone of the patent document or the patent disclosure, as it appears in the Patent and Trademark Office patent file or records, but reserves all other copyright rights whatsoever.

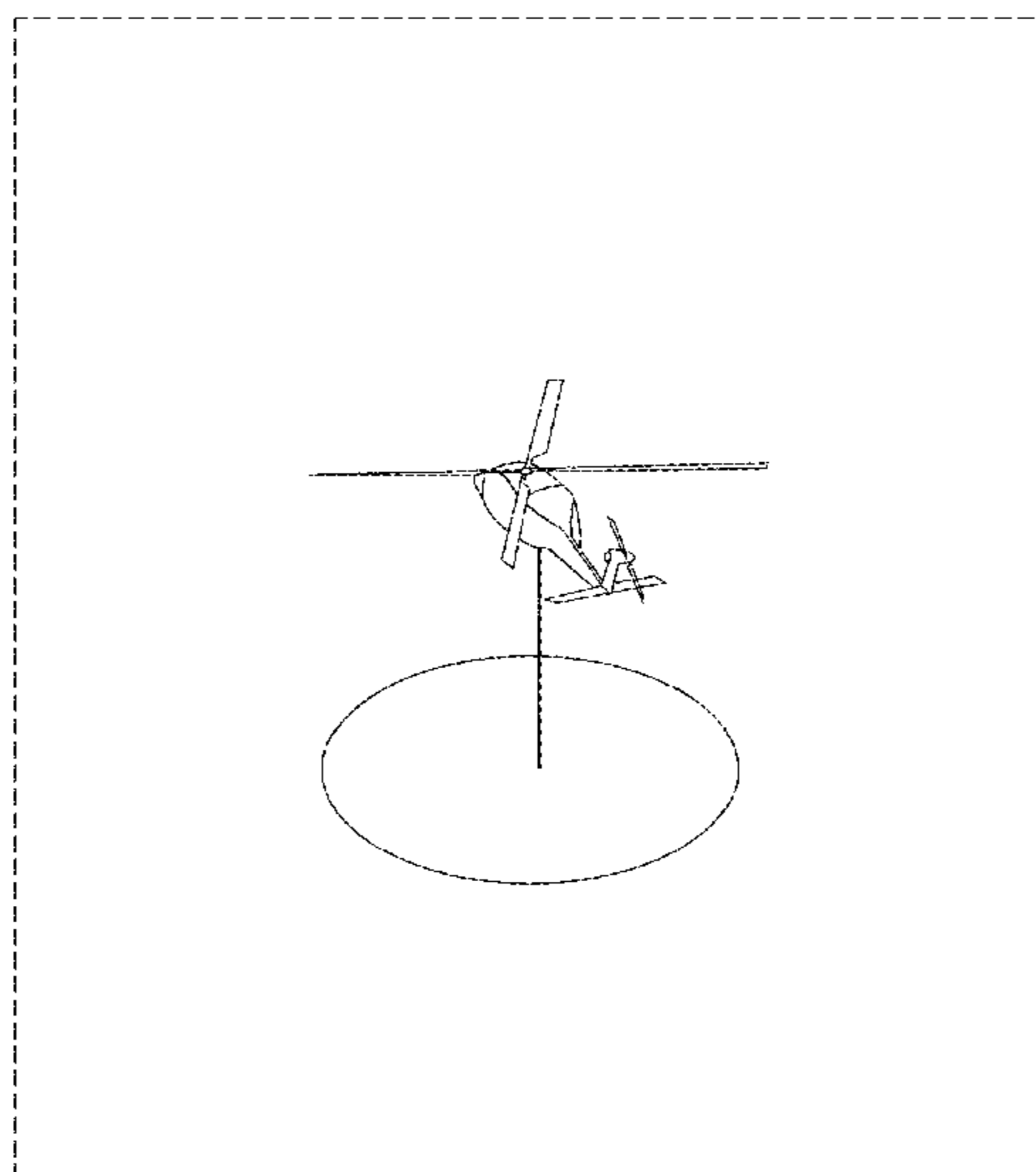
FIG. 1 is a front view of a portion of an avionics display with icon showing a first embodiment of the claimed design; and, FIG. 2 is a front view of a portion of an avionics display with icon showing a second embodiment of the claimed design. The outermost broken line rectangle illustrates a portion of an avionics display and forms no part of the claimed design. The remaining broken lines illustrate portions of the graphical user interface and form no part of the claimed design.

(56) **References Cited**

U.S. PATENT DOCUMENTS

- D29,479 S * 10/1898 Barth D18/32
- 5,415,549 A * 5/1995 Logg A63F 13/005
- 345/589

1 Claim, 2 Drawing Sheets



(56)

References Cited

U.S. PATENT DOCUMENTS

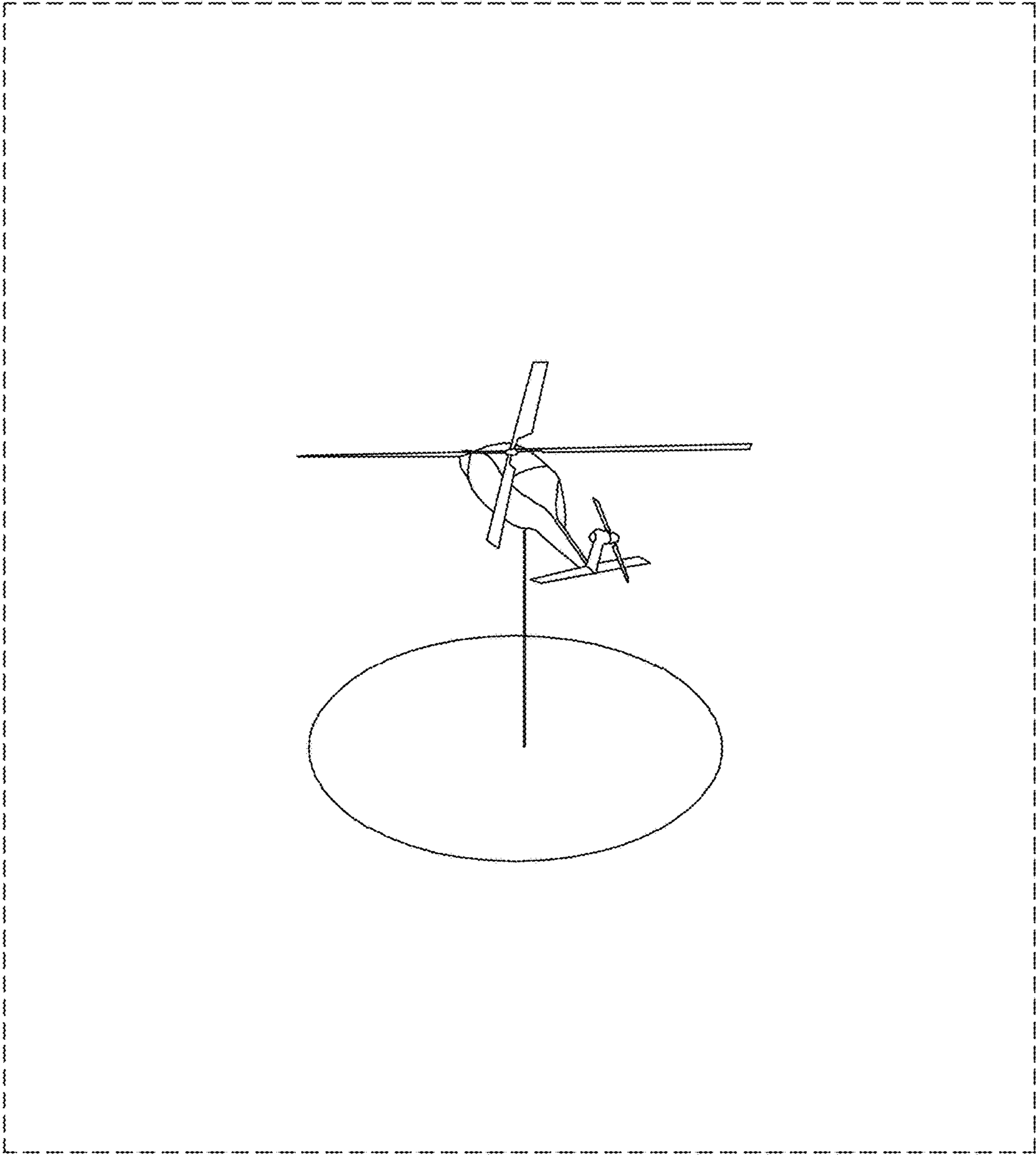
6,657,627 B1 * 12/2003 Wada G06T 7/60
345/473
D568,336 S * 5/2008 Miglietta D14/492
D580,947 S * 11/2008 Onai D14/486
D598,029 S * 8/2009 Lara D14/492
D601,571 S * 10/2009 Vu D14/485
D625,318 S * 10/2010 Jasinski D14/485
D644,241 S * 8/2011 Lemay D14/489
D647,128 S * 10/2011 Lewis D18/32
D664,150 S * 7/2012 Boyer D14/485
8,803,727 B2 * 8/2014 Muensterer G01S 17/93
342/120
D726,758 S * 4/2015 Bourret D14/486
D758,395 S * 6/2016 Gutierrez D14/486
D758,434 S * 6/2016 Lee D14/489
D760,234 S * 6/2016 Aoshima G06F 3/04817
D14/485
D761,834 S * 7/2016 Debitsch D14/486
D763,301 S * 8/2016 Murillo D14/488
D766,321 S * 9/2016 Han D14/489
D768,184 S * 10/2016 Mariet D14/486
D770,522 S * 11/2016 Crone D14/489
D778,949 S * 2/2017 Han D14/489
D782,515 S * 3/2017 Dzijind D14/486
D783,676 S * 4/2017 Kim D14/489
D784,399 S * 4/2017 Herrera D14/487
D792,894 S * 7/2017 Dzijind D14/486
2004/0056859 A1 * 3/2004 Ohba G06T 15/02
345/426
2004/0183697 A1 * 9/2004 Rogers G01C 23/00
340/971
2007/0182590 A1 * 8/2007 Younkin G01C 23/00
340/973
2007/0222665 A1 * 9/2007 Koeneman G01S 13/9303
342/29
2008/0111814 A1 * 5/2008 Sengamedu G06T 7/0051
345/419
2008/0180406 A1 * 7/2008 Han G06F 3/04883
345/173
2010/0001998 A1 * 1/2010 Mandella G01B 11/002
345/419
2010/0090968 A1 * 4/2010 Lee H04N 21/42224
345/173

2010/0194746 A1 * 8/2010 Barbina G06F 3/04815
345/419
2010/0204953 A1 * 8/2010 Onishi G06F 3/0304
702/150
2012/0151394 A1 * 6/2012 Locke G06F 3/04817
715/765
2013/0325316 A1 * 12/2013 Vos G01C 17/34
701/408
2014/0024365 A1 * 1/2014 Mitchell H04B 7/18506
455/431
2014/0081484 A1 * 3/2014 Covington G01C 23/00
701/16
2014/0324253 A1 * 10/2014 Duggan G05D 1/0061
701/3
2015/0015481 A1 * 1/2015 Li G06F 3/017
345/156
2015/0177957 A1 * 6/2015 Bae G06F 3/04842
715/835

OTHER PUBLICATIONS

Azimuth, maryrosaries.com [online], published Oct. 27, 2010, [retrieved Oct. 17, 2017], retrieved from the Internet <URL: http://www.maryrosaries.com/collaboration/index.php?title=File:Azimuth_003.svg.png>.*
Geocentric Coordinates, by Mercator, wikipedia.org [online], published Dec. 18, 2011, [retrieved Oct. 17, 2017], retrieved from the Internet <URL: https://en.wikipedia.org/wiki/File:Geocentric_coordinates.svg>.*
Understanding Gyroscopes, by Van Belle, readingfeynman.org [online], published Jun. 9, 2014, [retrieved Oct. 16, 2017], retrieved from the Internet <URL: <https://readingfeynman.org/tag/rotational-motion/>>.*
Adaptive Control System for Autonomous Helicopter Slung Load Operations, by Bisgaard et al., sciencedirect.com [online], published on 2010-07-00, [retrieved on Feb. 7, 2018], retrieved from the Internet <URL: <https://www.sciencedirect.com/science/article/pii/S09670666110000341>> (Year: 2010).*
3D Helicopter Parking Simulator Games, 148apps.com [online], published on May 11, 2014, [retrieved on Feb. 7, 2018], retrieved from the Internet <URL: <http://www.148apps.com/app/859930514/>> (Year: 2014).*

* cited by examiner



© Rockwell Collins, Inc.

FIG. 1

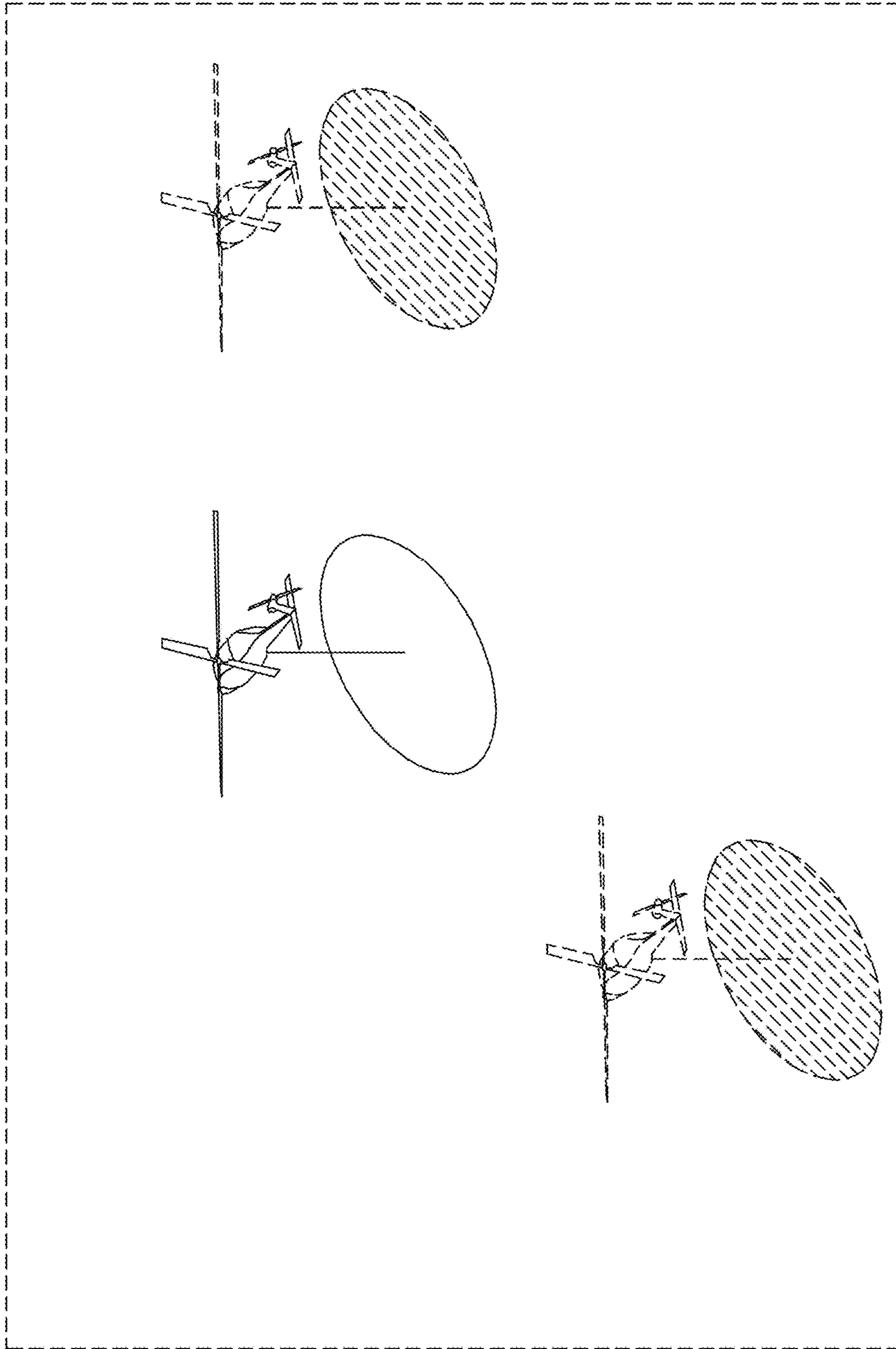


FIG. 2

©Rockwell Collins, Inc.