



US00D822046S

(12) **United States Design Patent**
Gill et al.

(10) **Patent No.:** **US D822,046 S**

(45) **Date of Patent:** **** Jul. 3, 2018**

(54) **DISPLAY SCREEN WITH GRAPHICAL USER INTERFACE**

(71) Applicant: **inMusic Brands, Inc.**, Cumberland, RI (US)

(72) Inventors: **David Gill**, Lincoln, RI (US); **Walter Skorupski**, Cranston, RI (US); **John E. O'Donnell**, Ft. Lauderdale, FL (US)

(73) Assignee: **inMusic Brands, Inc.**, Cumberland, RI (US)

(**) Term: **15 Years**

(21) Appl. No.: **29/591,339**

(22) Filed: **Jan. 19, 2017**

(51) **LOC (11) Cl.** **14-04**

(52) **U.S. Cl.**
USPC **D14/486**

(58) **Field of Classification Search**
USPC D14/485-495
CPC G06F 3/048; G06F 3/0481; G06F 3/04812; G06F 3/04815; G06F 3/04817; G06F 3/0482; G06F 3/0483; G06F 3/0484
See application file for complete search history.

D762,682 S * 8/2016 Vinna D14/486
D764,491 S * 8/2016 Green D14/485
D766,289 S * 9/2016 Bauer D14/486
D775,195 S * 12/2016 Caldwell D14/486
D787,536 S * 5/2017 Pantelis D14/486
D796,520 S * 9/2017 Klar D14/485
2014/0160078 A1 * 6/2014 Seo G06F 3/017 345/175

OTHER PUBLICATIONS

Preliminary Rejection in Japanese Application No. 2017-015428, dated Feb. 13, 2018, citing <https://www.amazon.com/Alesis-Strike-Pro-Kit-Eleven-Piece/dp/B01DVQF6EY>, 10 pgs.
Preliminary Rejection in Japanese Application No. 2017-015429, dated Feb. 13, 2018, citing <https://www.amazon.com/Alesis-Strike-Pro-Kit-Eleven-Piece/dp/B01DVQ16EY>, 10 pgs.
Preliminary Rejection in Japanese Application No. 2017-015432, dated Feb. 13, 2018, citing <https://www.amazon.com/Alesis-Strike-Pro-Kit-Eleven-Piece/dp/B01DVQF6EY>, 10 pgs.

(Continued)

Primary Examiner — Melanie H Tung

Assistant Examiner — Bao-Yen T Nguyen

(74) *Attorney, Agent, or Firm* — Finnegan, Henderson, Farabow, Garrett & Dunner, LLP

(57) **CLAIM**

The ornamental design for a display screen with graphical user interface, as shown and described.

DESCRIPTION

The FIGURE is a front view of a display screen with graphical user interface showing our new design.

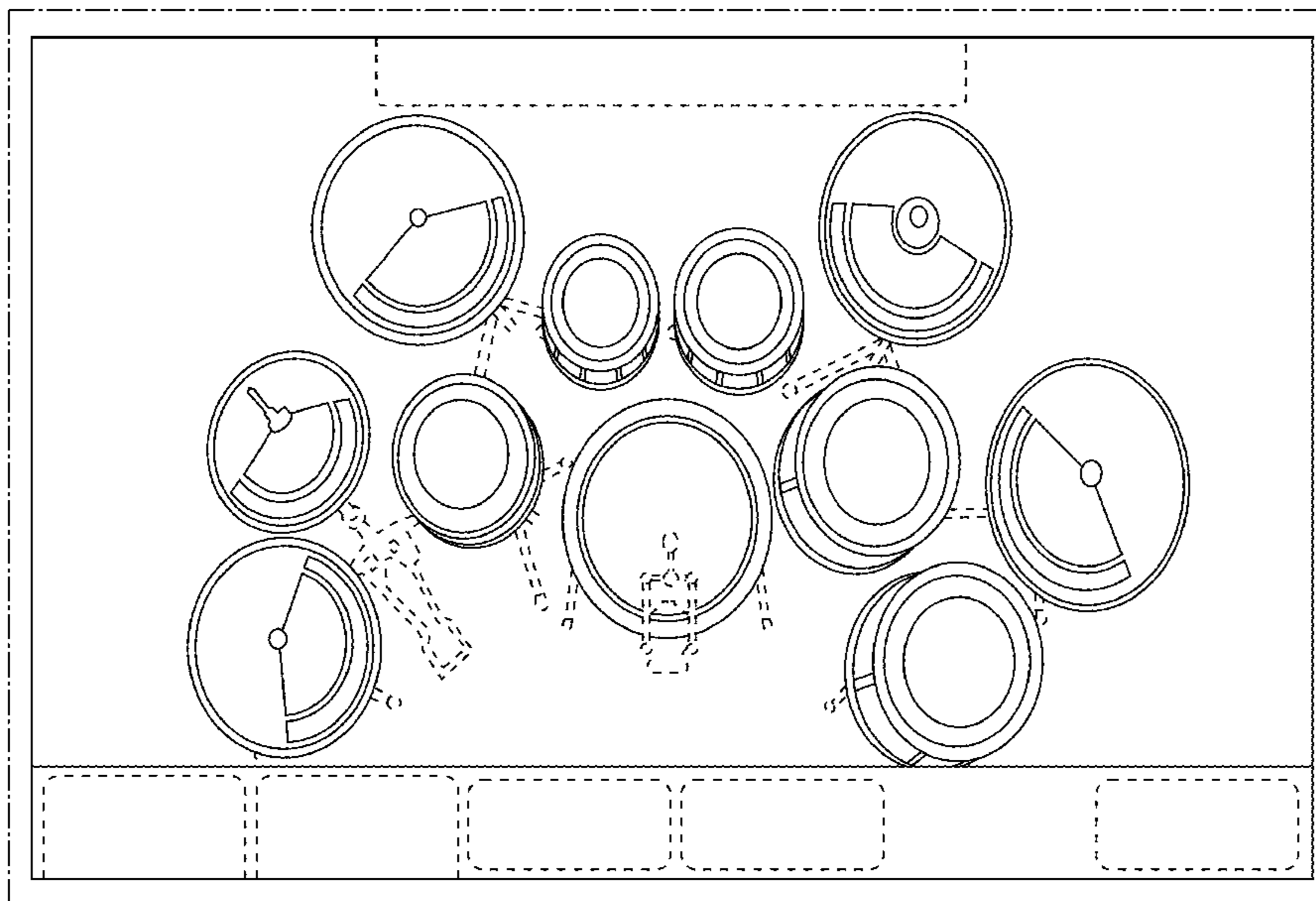
The broken lines of uneven length show the display screen and form no part of the claimed design. The broken lines of even length illustrate portions of the display screen with graphical user interface that form no part of the claimed design.

1 Claim, 1 Drawing Sheet

(56) **References Cited**

U.S. PATENT DOCUMENTS

D737,319 S * 8/2015 Cavander D14/489
D746,295 S * 12/2015 Arai D14/485
D746,828 S * 1/2016 Arai D14/485
D746,859 S * 1/2016 Sabia D14/488
D750,101 S * 2/2016 Bates D14/485
D751,108 S * 3/2016 Caldwell G06T 11/206 D14/486
D754,686 S * 4/2016 Mandeville D14/485



(56)

References Cited

OTHER PUBLICATIONS

Preliminary Rejection in Japanese Application No. 2017-015427, dated Feb. 13, 2018, citing <https://www.amazon.com/Alesis-Strike-Pro-Kit-Eleven-Piece/dp/B01DVQF6EY>, 10 pgs.

Preliminary Rejection in Japanese Application No. 2017-015425, dated Feb. 13, 2018, citing <https://www.amazon.com/Alesis-Strike-Pro-Kit-Eleven-Piece/dp/B01DVQF6EY>, 10 pgs.

Preliminary Rejection in Japanese Application No. 2017-015426, dated Feb. 13, 2018, citing <https://www.amazon.com/Alesis-Strike-Pro-Kit-Eleven-Piece/dp/B01DVQF6EY>, 10 pgs.

Alesis Strike Pro Kit | Eleven-Piece Professional Electronic Drum Kit With Mesh Heads. Available at <https://www.amazon.com/Alesis-Strike-Pro-Kit-Eleven-Piece/dp/B01DVQF6EY>, printed Feb. 7, 2018, 7 pgs.

* cited by examiner

