



US00D822033S

(12) **United States Design Patent**
Rosenberg et al.

(10) **Patent No.:** **US D822,033 S**
(45) **Date of Patent:** **** Jul. 3, 2018**

(54) **TOUCH SENSOR AUDIO-VIDEO KEYBOARD**

(71) Applicant: **Sensel, Inc.**, Mountain View, CA (US)

(72) Inventors: **Ilya Daniel Rosenberg**, Mountain View, CA (US); **Stephanie Wanti Lim**, Los Altos Hills, CA (US); **Reuben Eric Martinez**, Gilroy, CA (US); **Brogan Carl Miller**, Davis, CA (US); **Tomer Moscovich**, San Francisco, CA (US)

(73) Assignee: **Sensel, Inc.**, Mountain View, CA (US)

(**) Term: **15 Years**

(21) Appl. No.: **29/602,187**

(22) Filed: **Apr. 28, 2017**

(51) **LOC (11) Cl.** **14-02**

(52) **U.S. Cl.**
USPC **D14/455**

(58) **Field of Classification Search**
USPC D14/391-399, 318, 388, 389, 390, 455,
D14/456; D16/237; 235/145 R
See application file for complete search history.

(56) **References Cited**

U.S. PATENT DOCUMENTS

D366,261 S *	1/1996	Splane, Jr.	D14/217
D411,530 S *	6/1999	Carter	D14/217
D421,038 S *	2/2000	Hisatsune	D13/168
D421,975 S *	3/2000	Steel	D14/217
D441,760 S *	5/2001	Hibino	D14/415
D449,292 S *	10/2001	Miyazaki	D14/217

(Continued)

Primary Examiner — Lakiya G Rogers

Assistant Examiner — Harold E Blackwell, II

(74) *Attorney, Agent, or Firm* — James R. Gourley;
Carstens & Cahoon, LLP

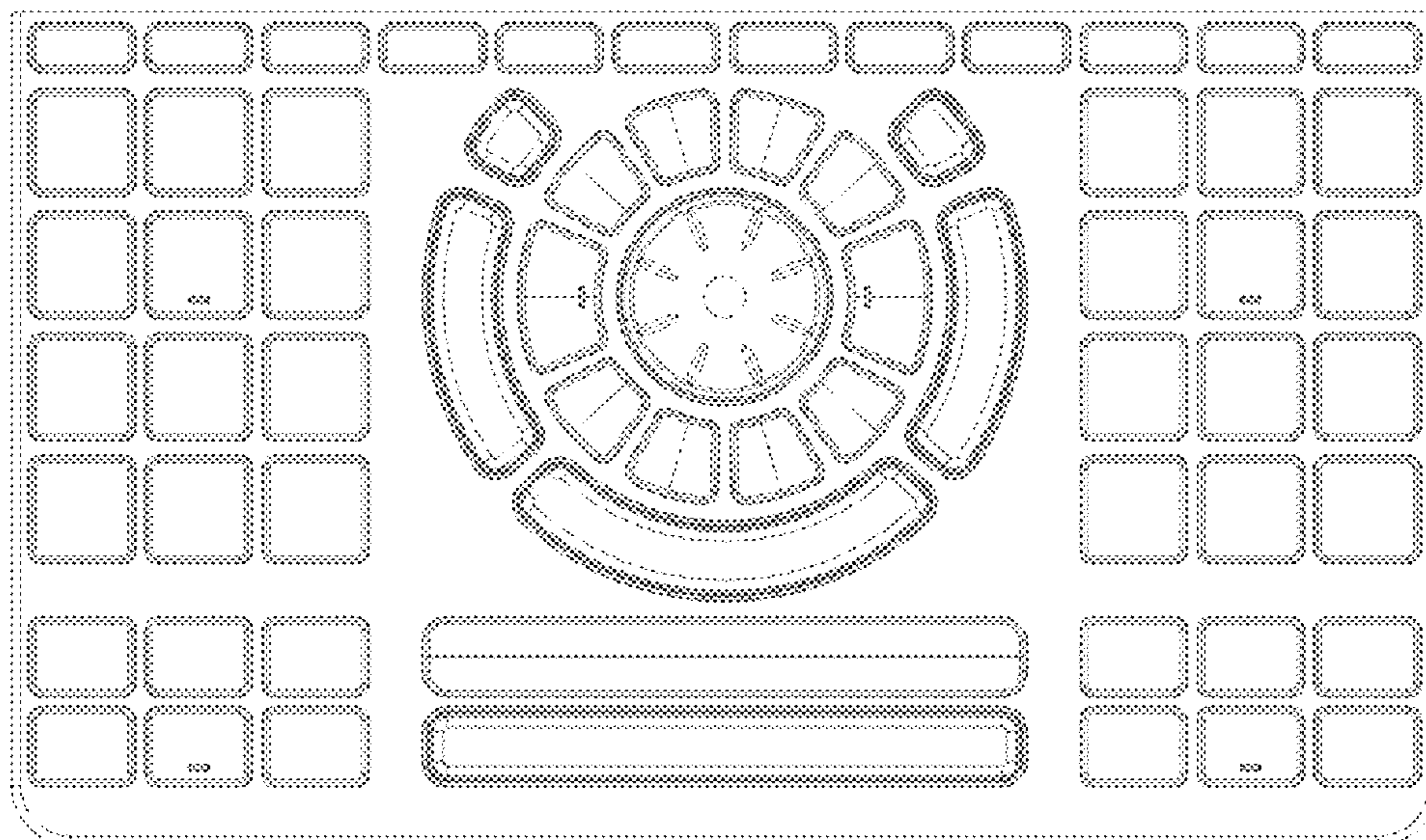
(57) **CLAIM**

The ornamental design for a touch sensor audio-video keyboard, as shown.

DESCRIPTION

FIG. 1 is a front view of a touch sensor audio-video keyboard showing my new design;
FIG. 2 is a rear view thereof;
FIG. 3 is a right view thereof;
FIG. 4 is a left view thereof;
FIG. 5 is a top view thereof;
FIG. 6 is a bottom view thereof;
FIG. 7 is a top front perspective view thereof;
FIG. 8 is a top rear perspective view thereof;
FIG. 9 is a top right front perspective view thereof;
FIG. 10 is a top right rear perspective view thereof;
FIG. 11 is a top left rear perspective view thereof;
FIG. 12 is a top left front perspective view thereof;
FIG. 13 is a bottom right front perspective view thereof;
FIG. 14 is a bottom right rear perspective view thereof;
FIG. 15 is a bottom left rear perspective view thereof;
FIG. 16 is a bottom left front perspective view thereof;
FIG. 17 is a top right front shallow perspective view thereof;
FIG. 18 is a top right side shallow perspective view thereof;
FIG. 19 is a top right rear shallow perspective view thereof;
FIG. 20 is a top rear side shallow perspective view thereof;
FIG. 21 is a top left rear shallow perspective view thereof;
FIG. 22 is a top left side shallow perspective view thereof;
FIG. 23 is a top left front shallow perspective view thereof;
and,
FIG. 24 is a top front side shallow perspective view thereof.

1 Claim, 24 Drawing Sheets



(56)

References Cited

U.S. PATENT DOCUMENTS

D463,401 S	*	9/2002	Miyazaki	D14/217
D486,496 S	*	2/2004	Cookson	D14/217
D518,082 S	*	3/2006	Muto	D13/168
D594,867 S	*	6/2009	Dallmeier	D14/398
D671,917 S	*	12/2012	Gibbens, Jr.	D14/218

* cited by examiner

FIG. 1

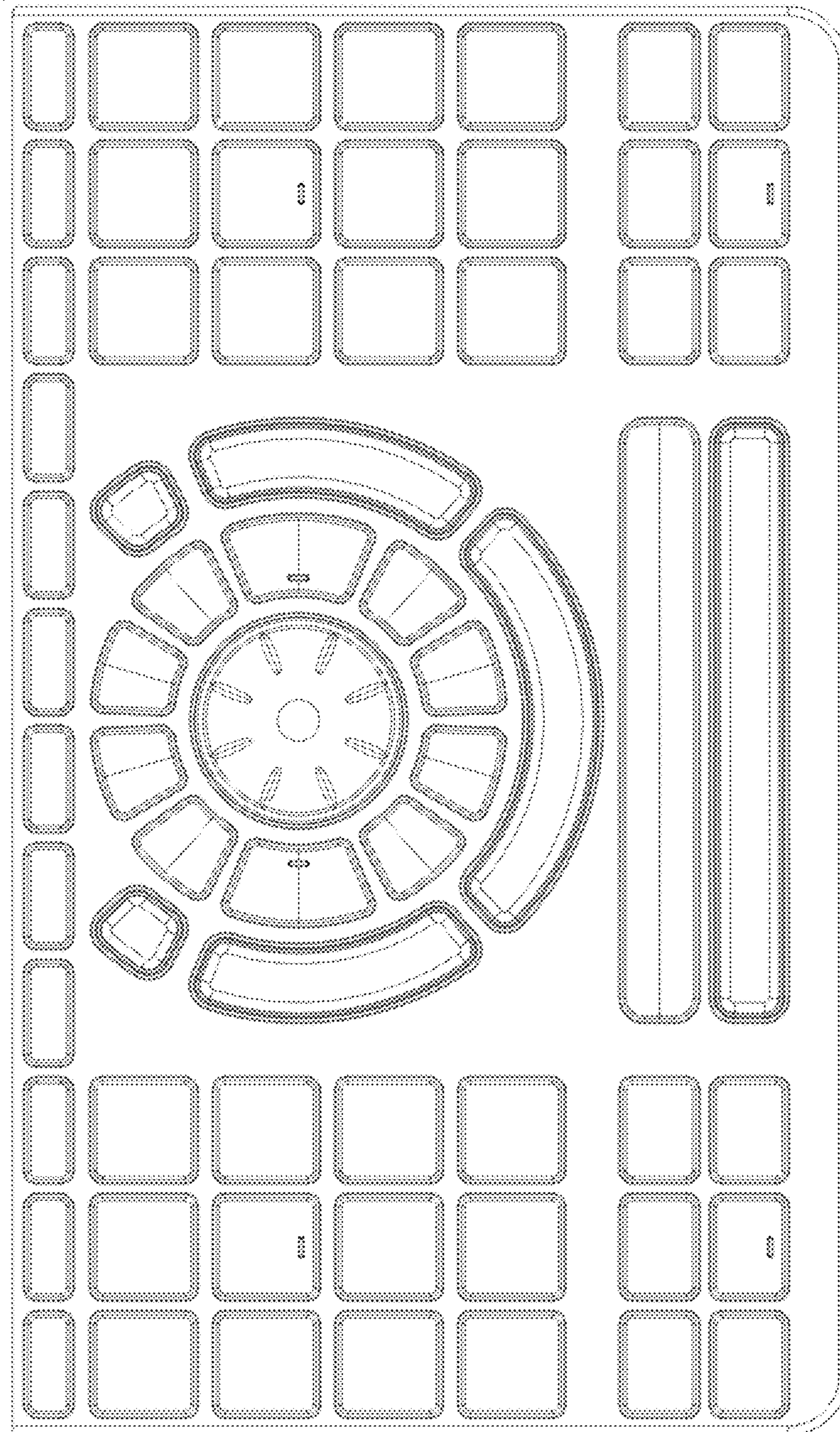


FIG. 2

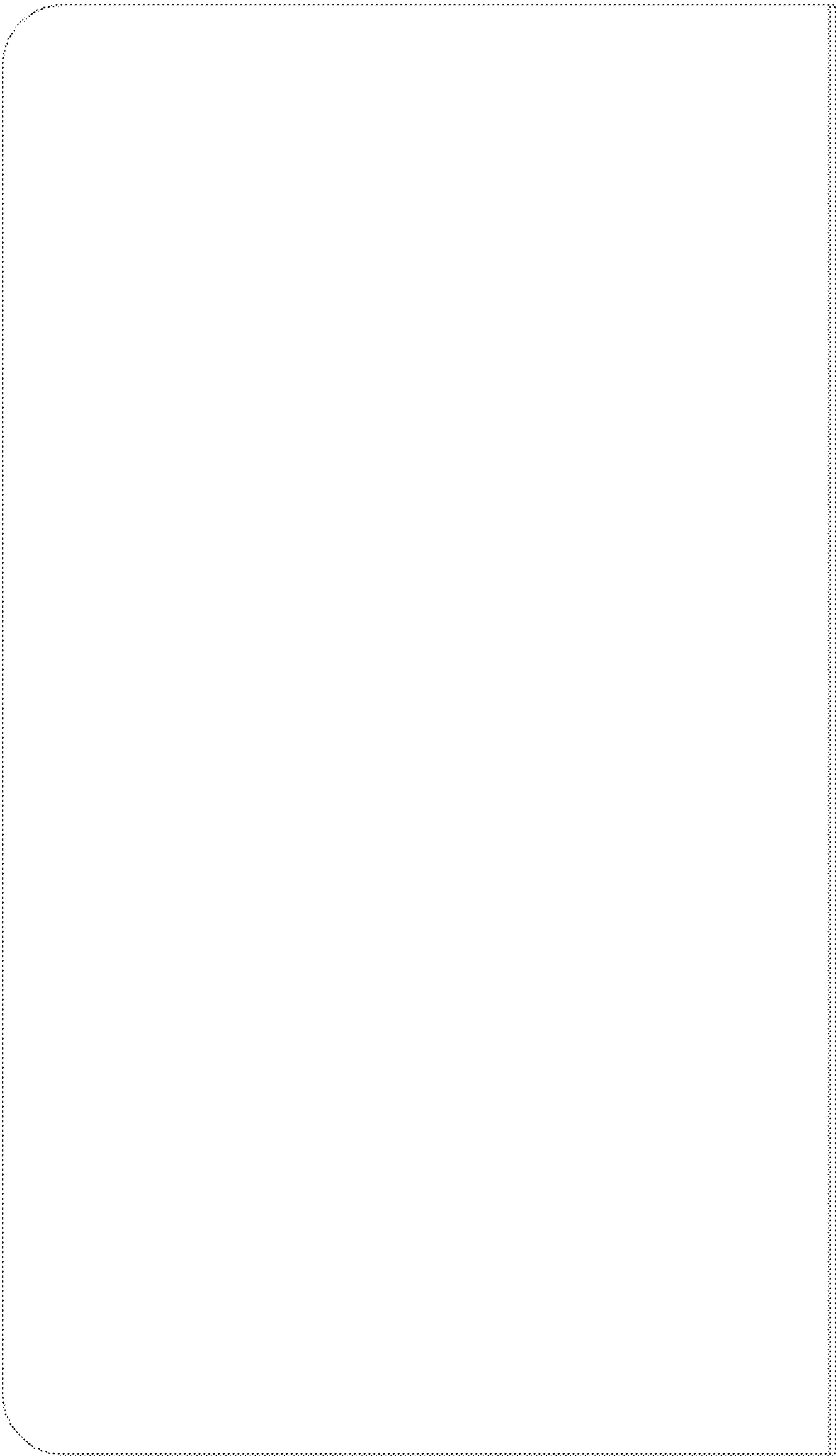


FIG. 3

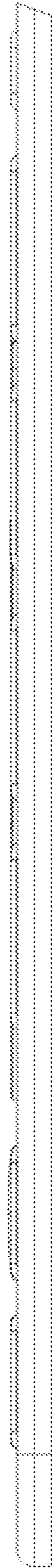


FIG. 4

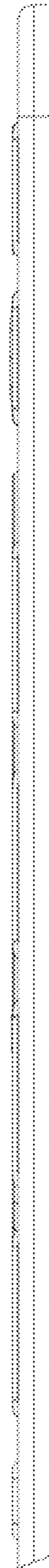


FIG. 5

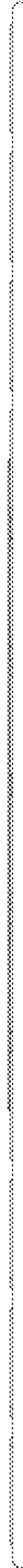


FIG. 6

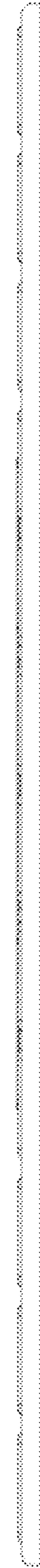


FIG. 7

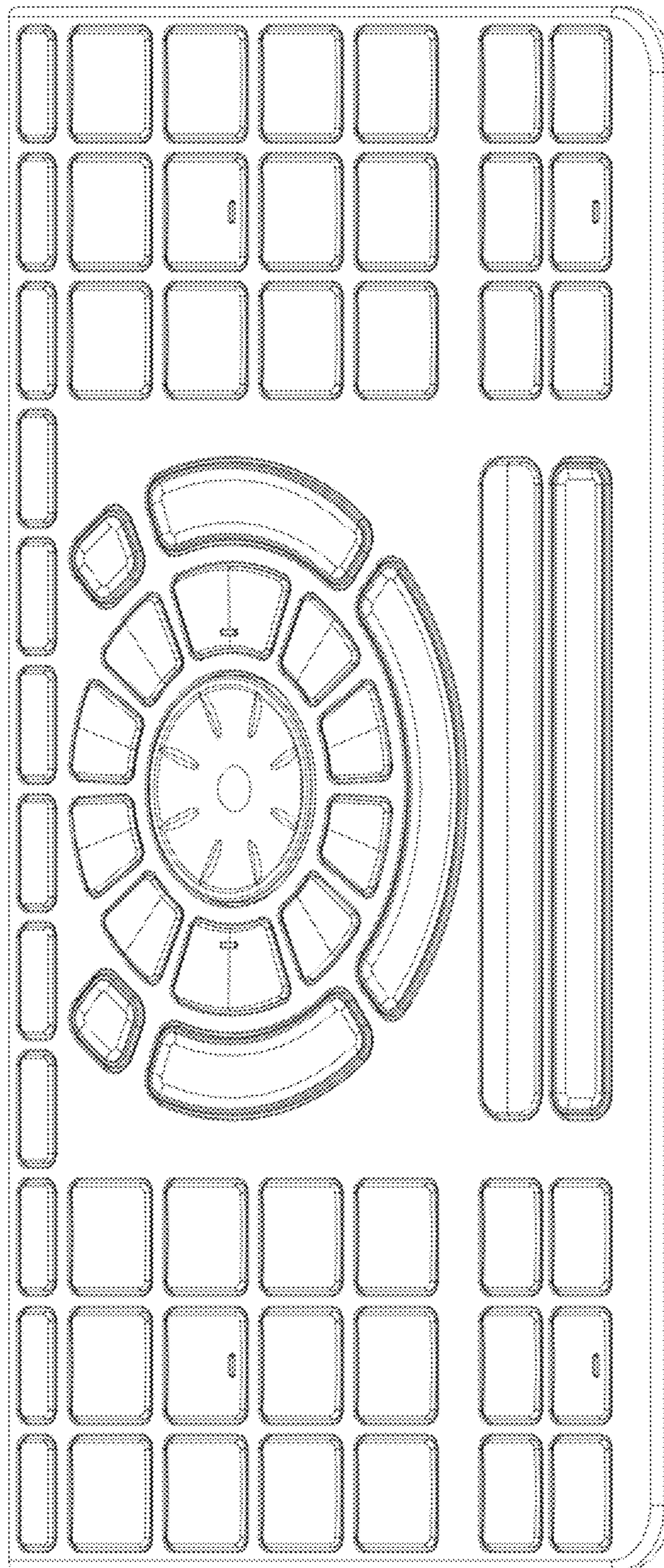


FIG. 8

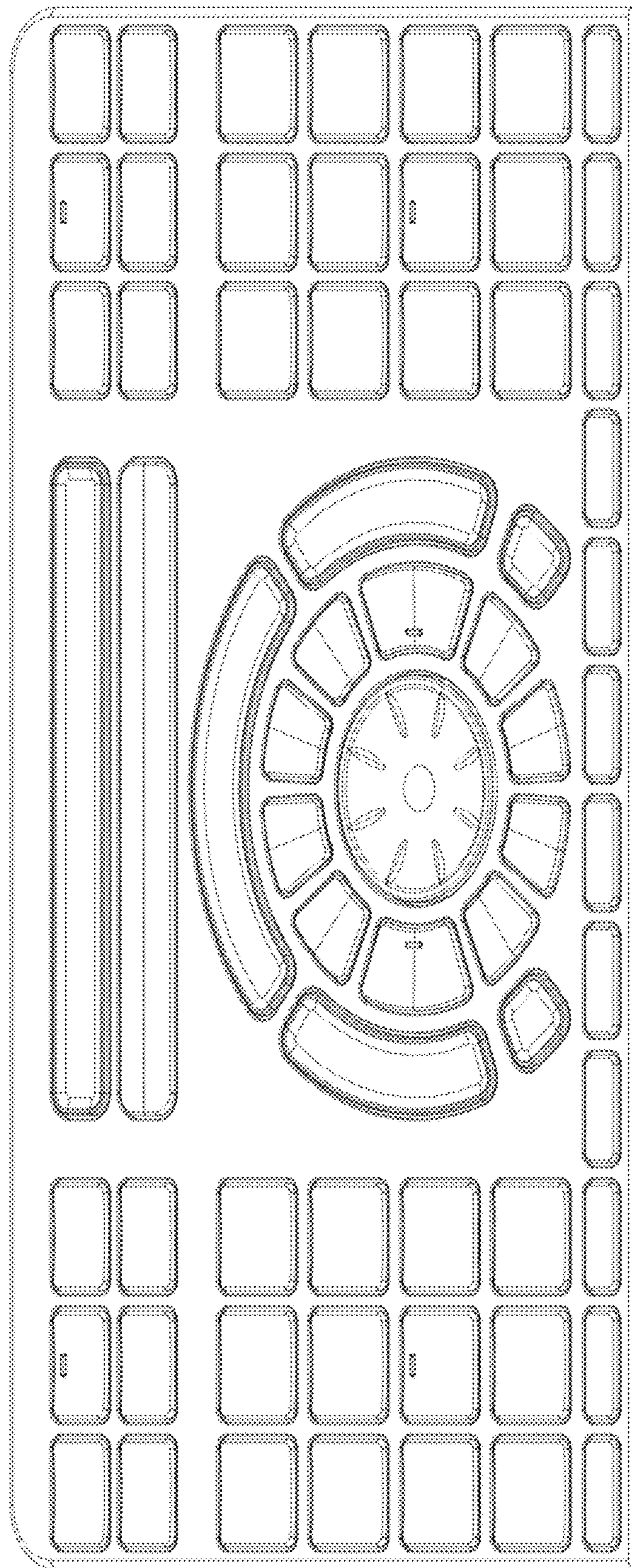


FIG. 9

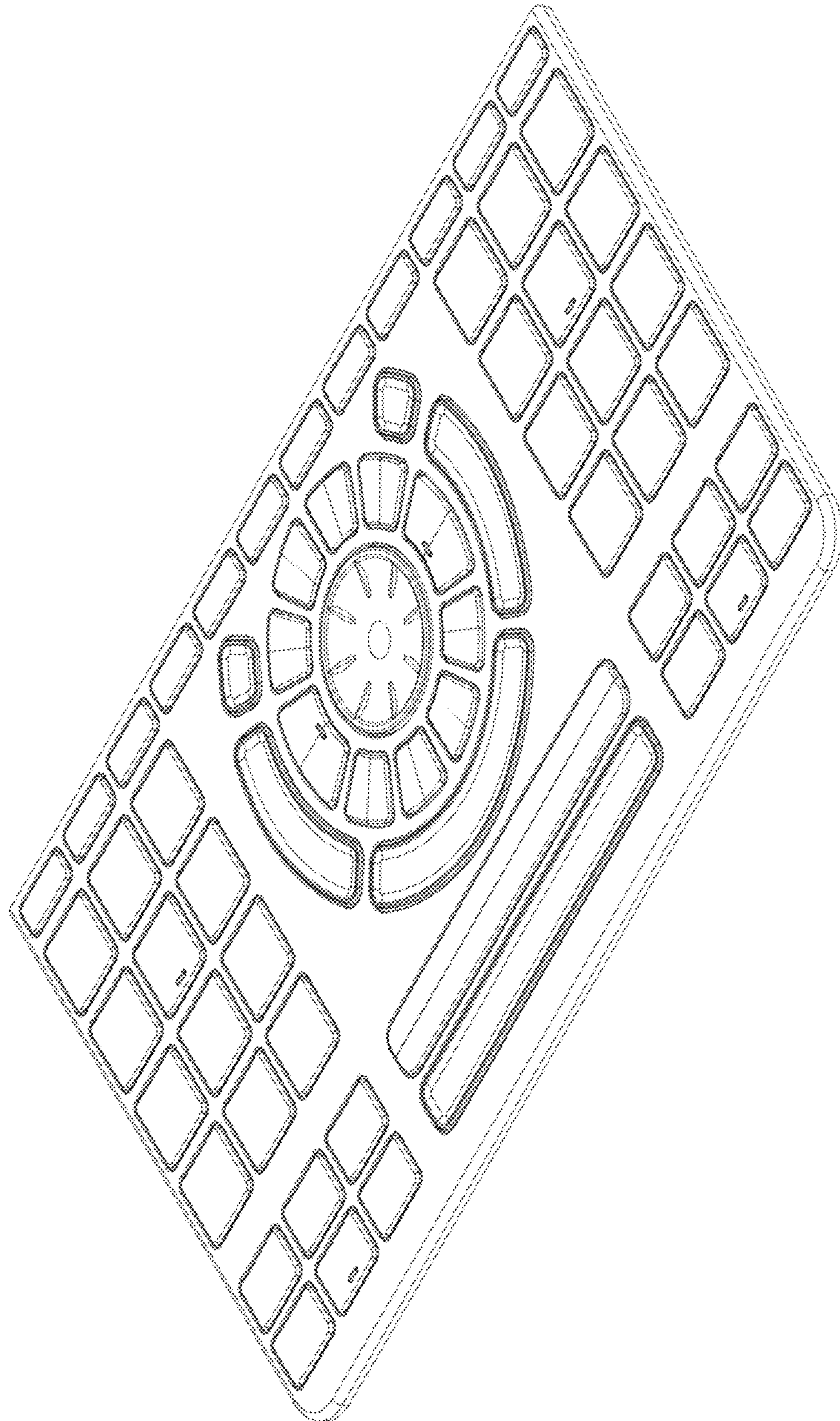


FIG. 10

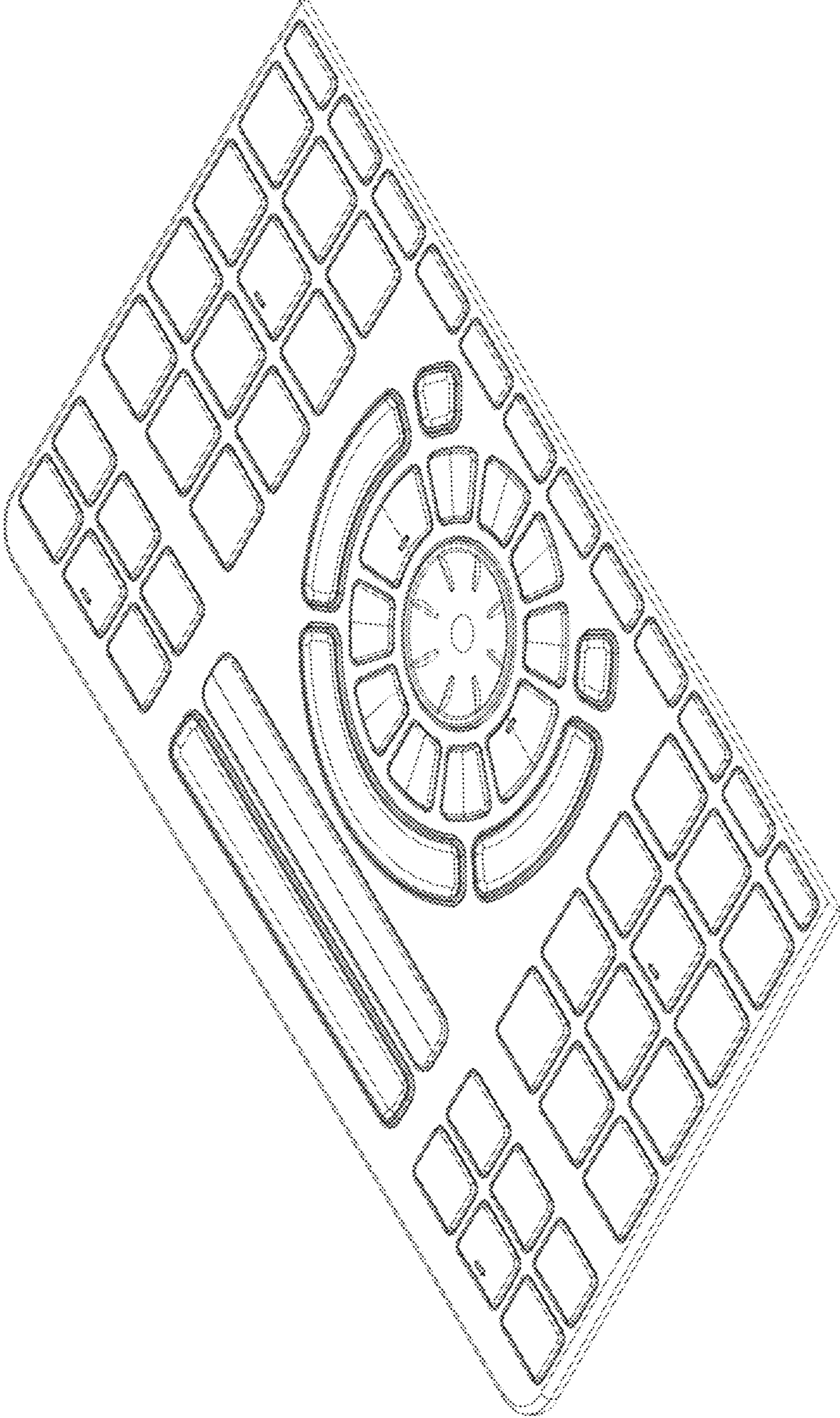


FIG. 11

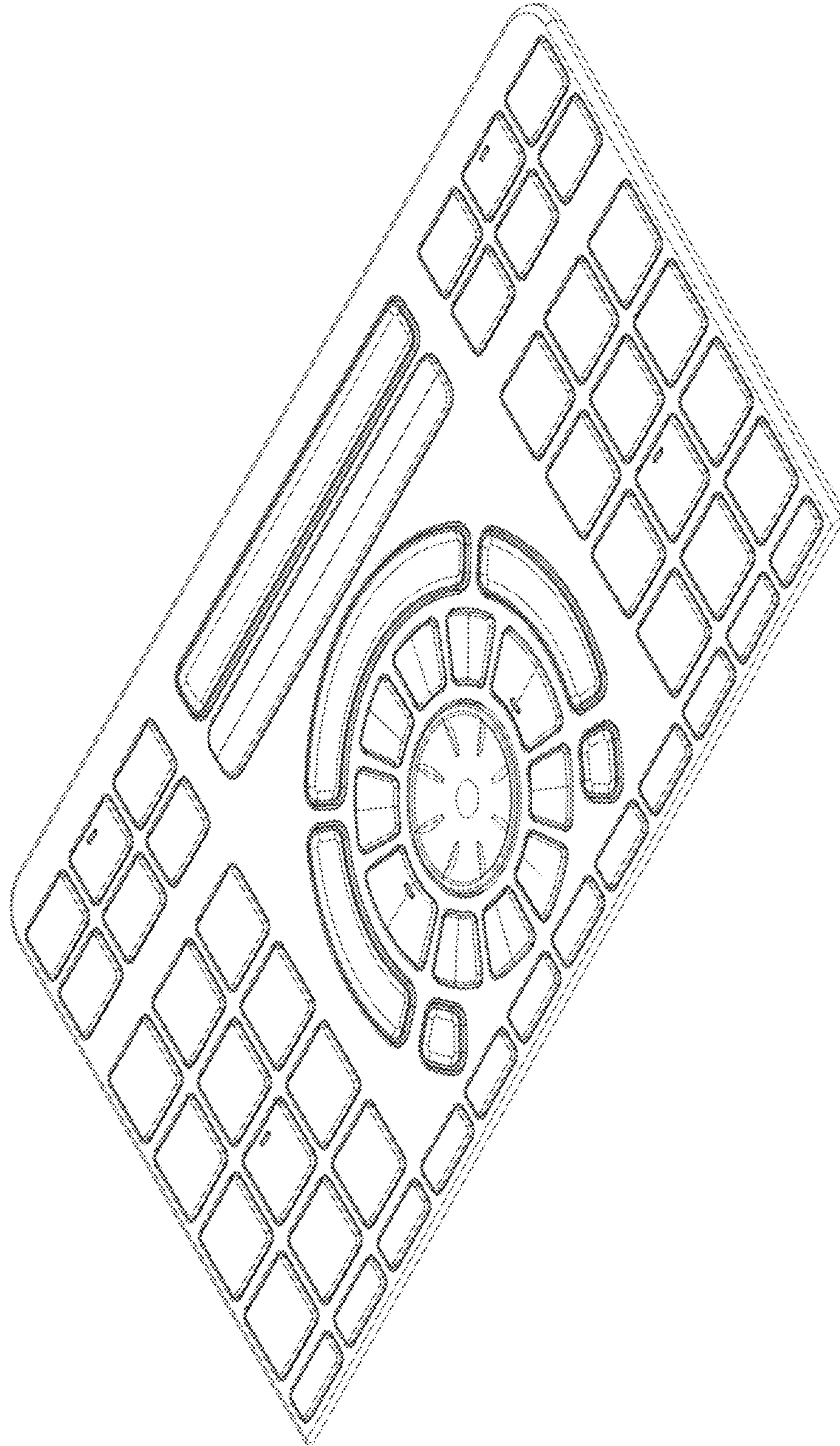


FIG. 12

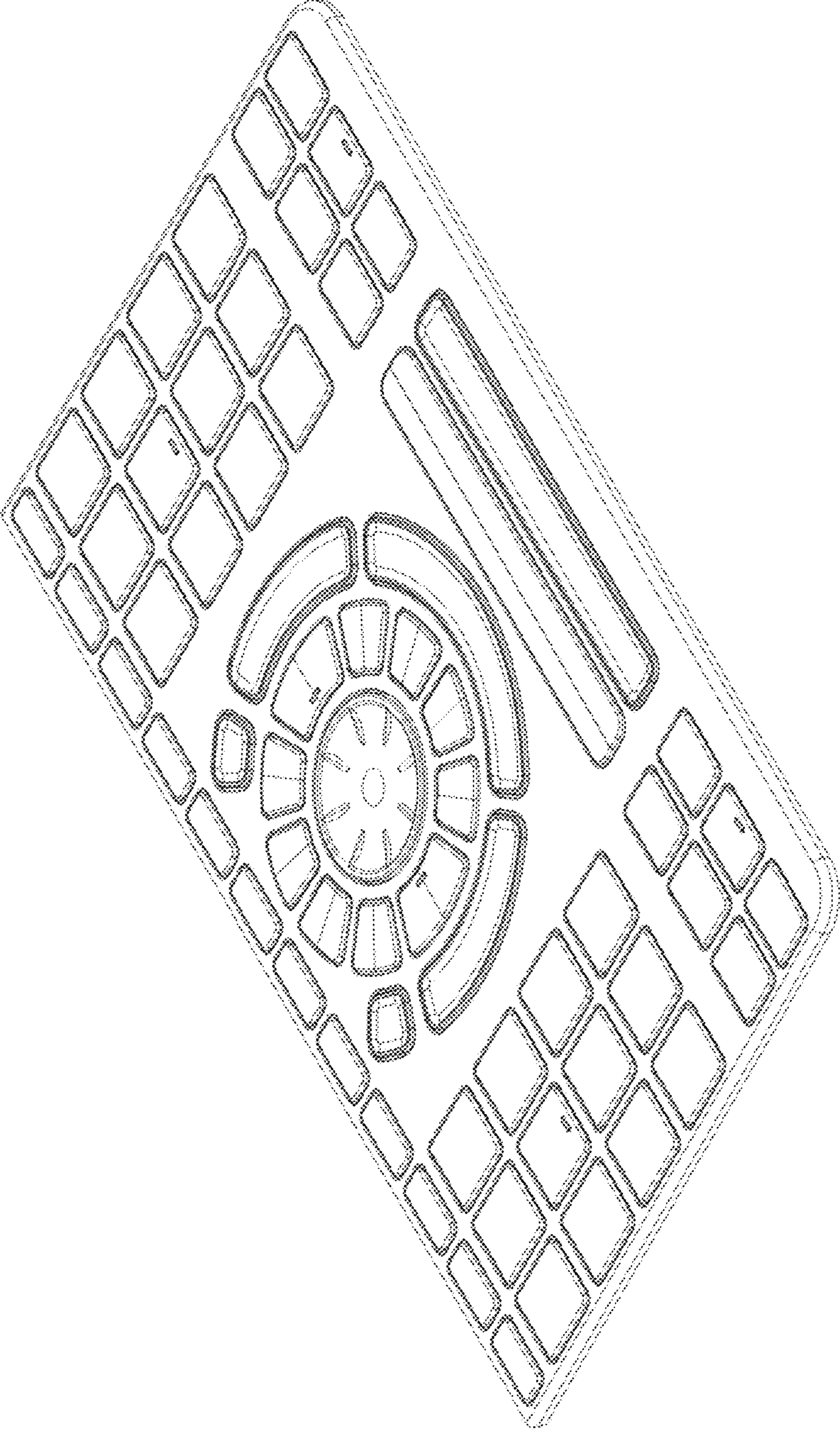


FIG. 13

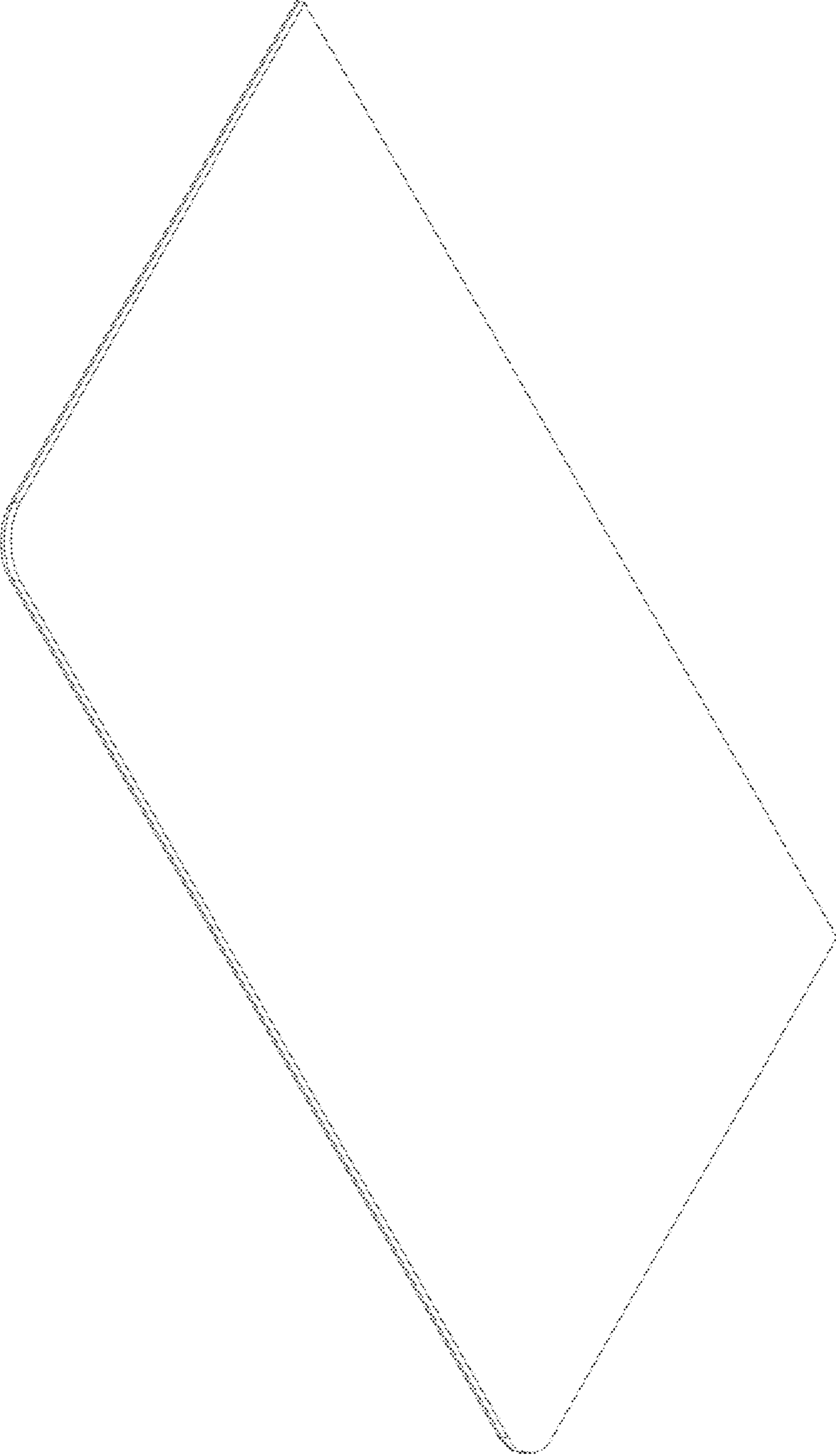


FIG. 14

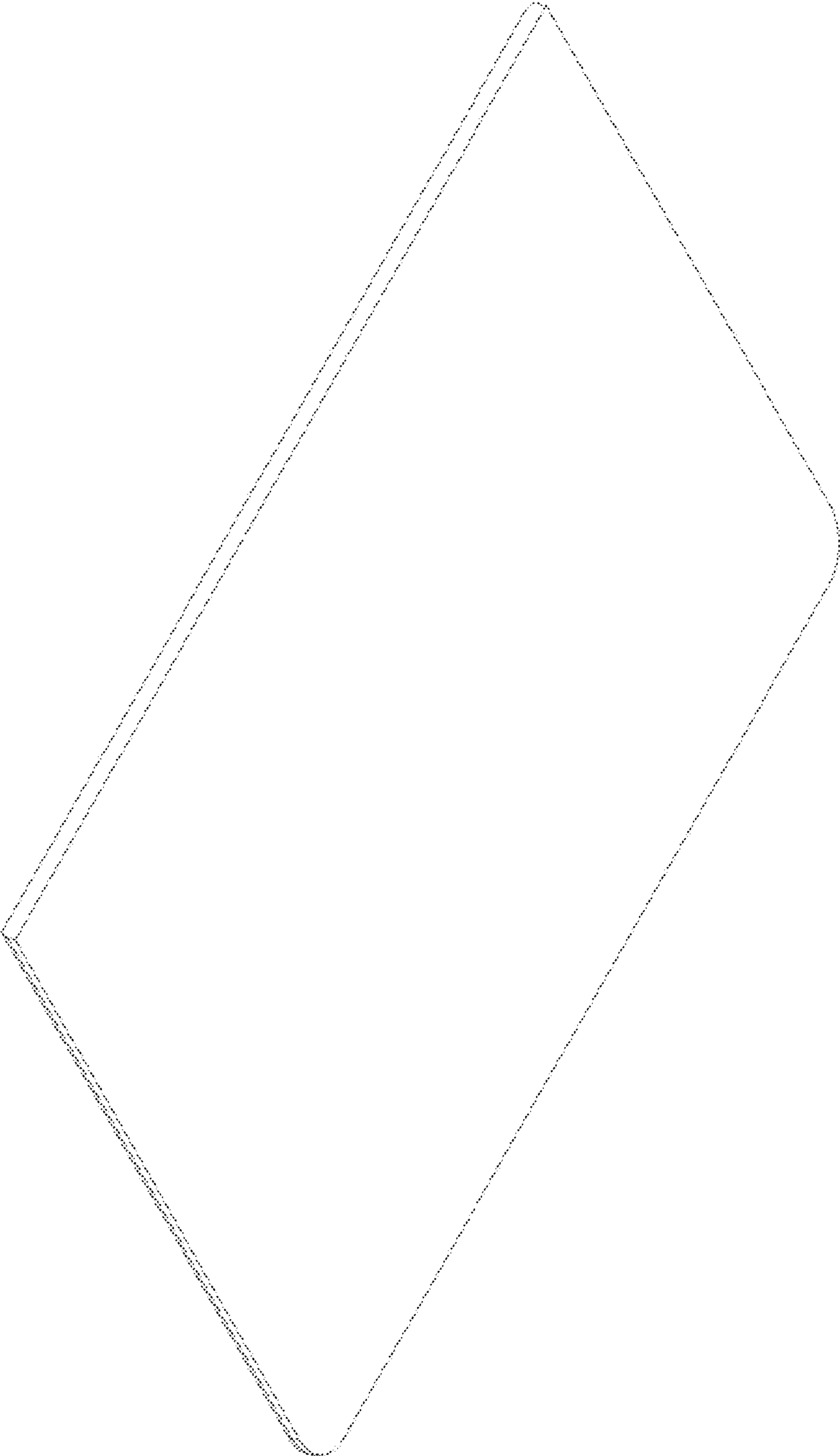


FIG. 15

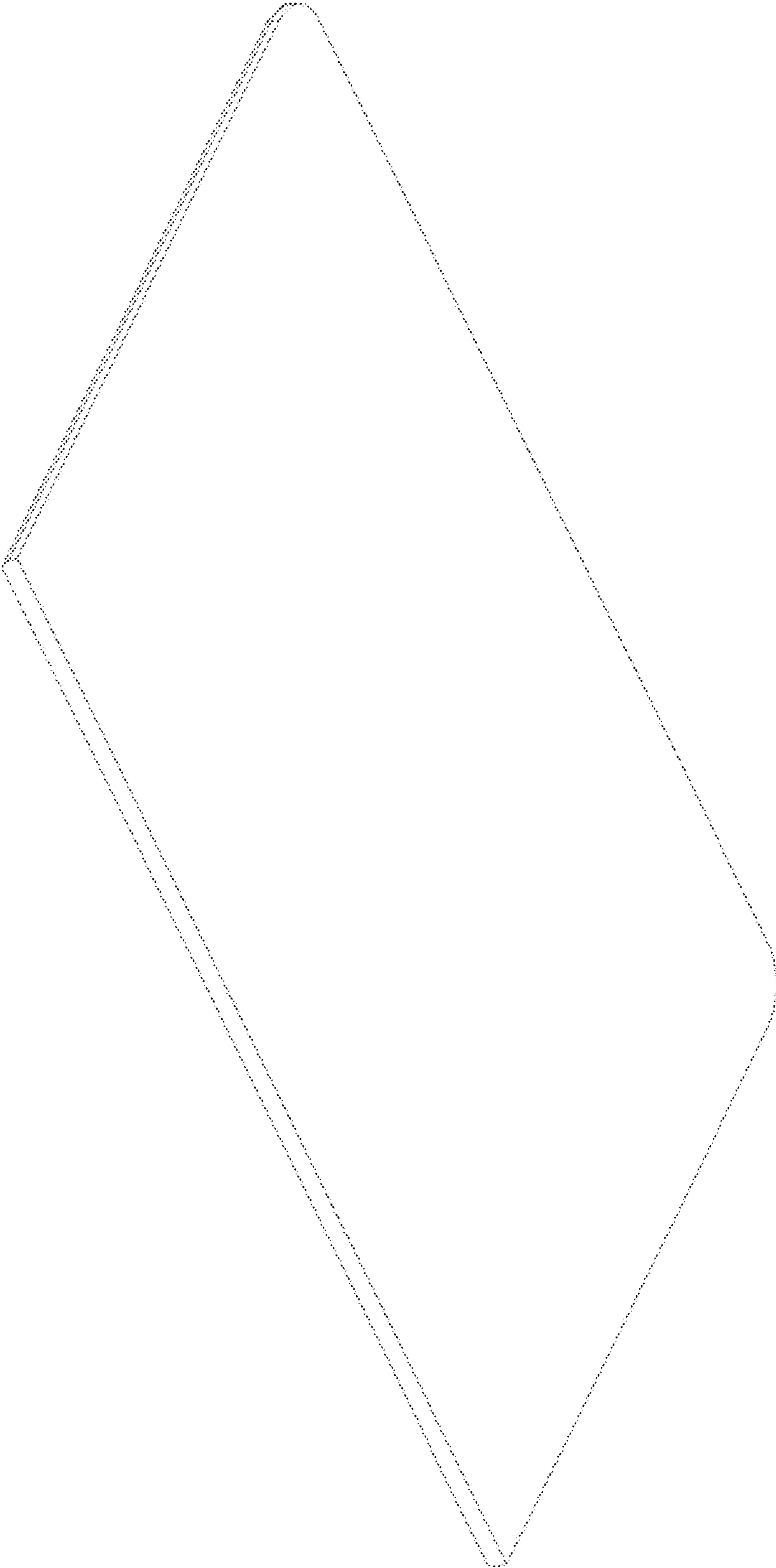


FIG. 16

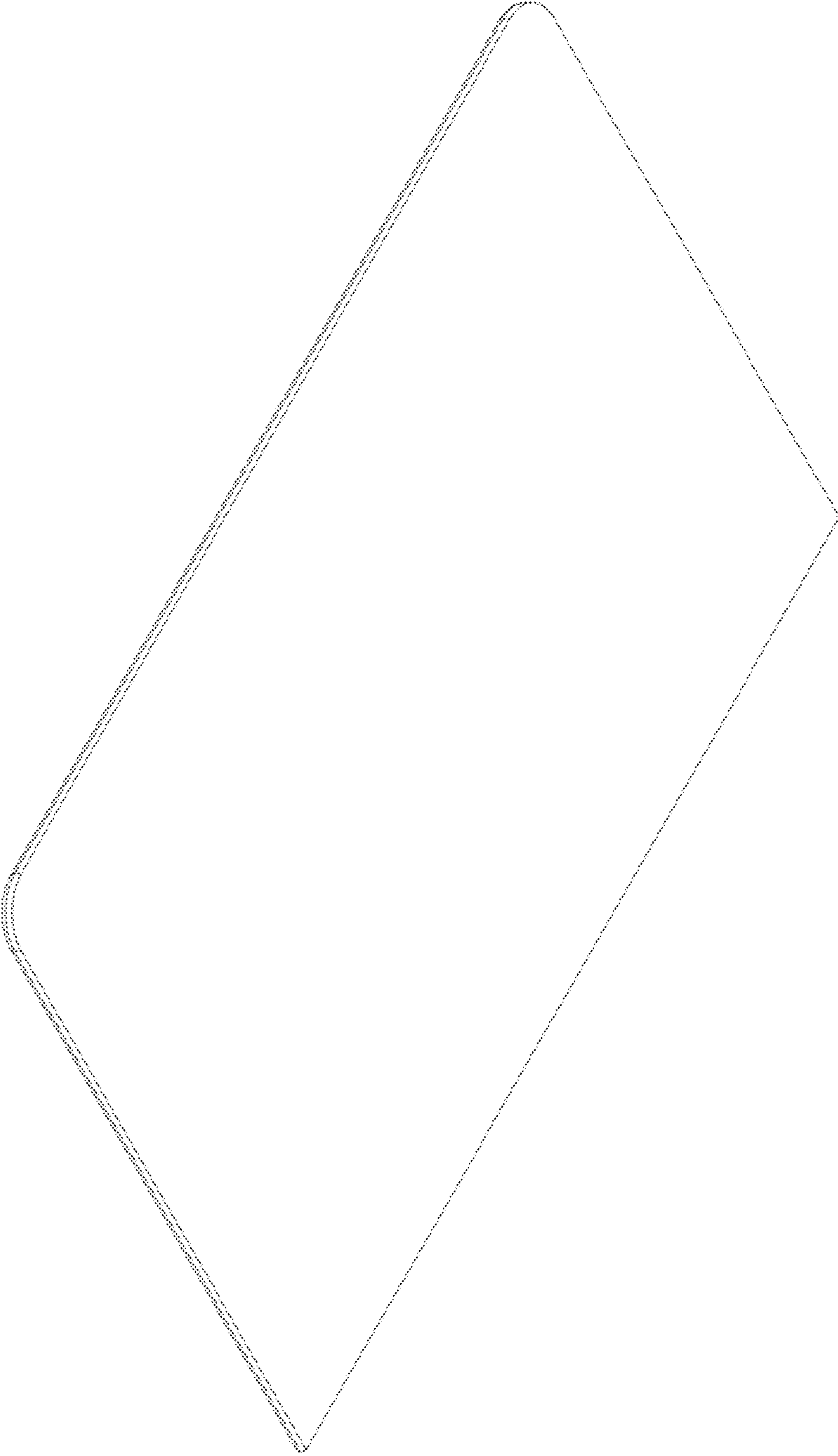


FIG. 17

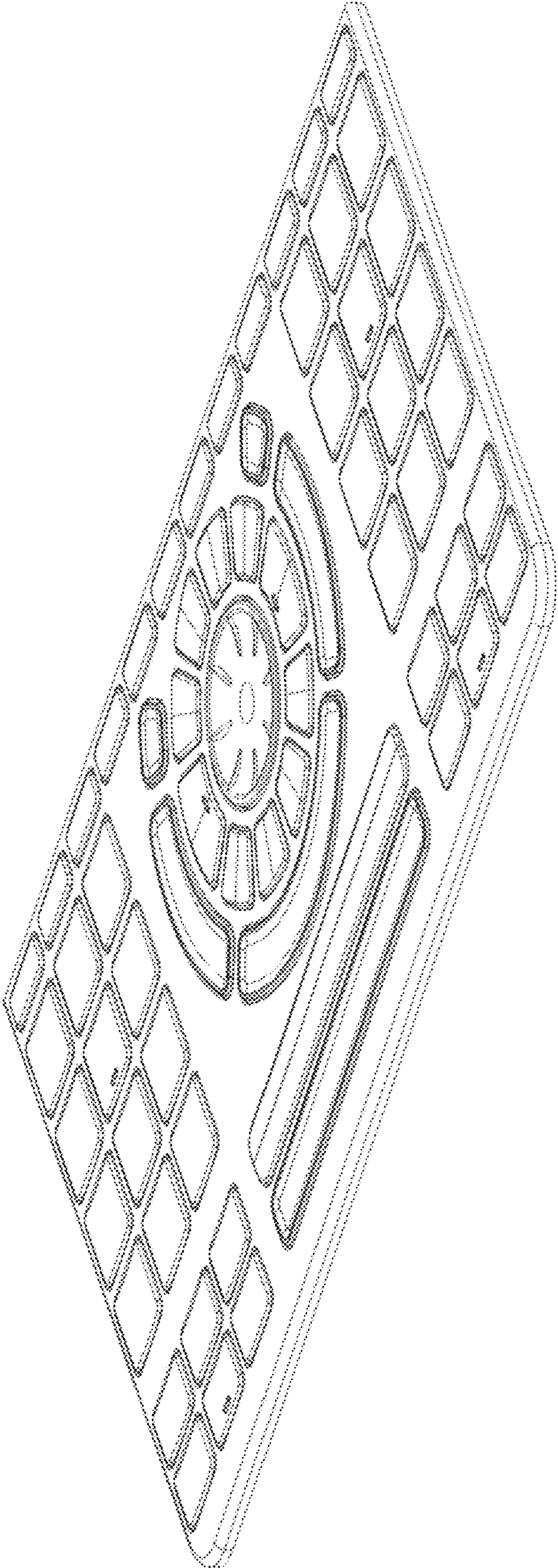


FIG. 18

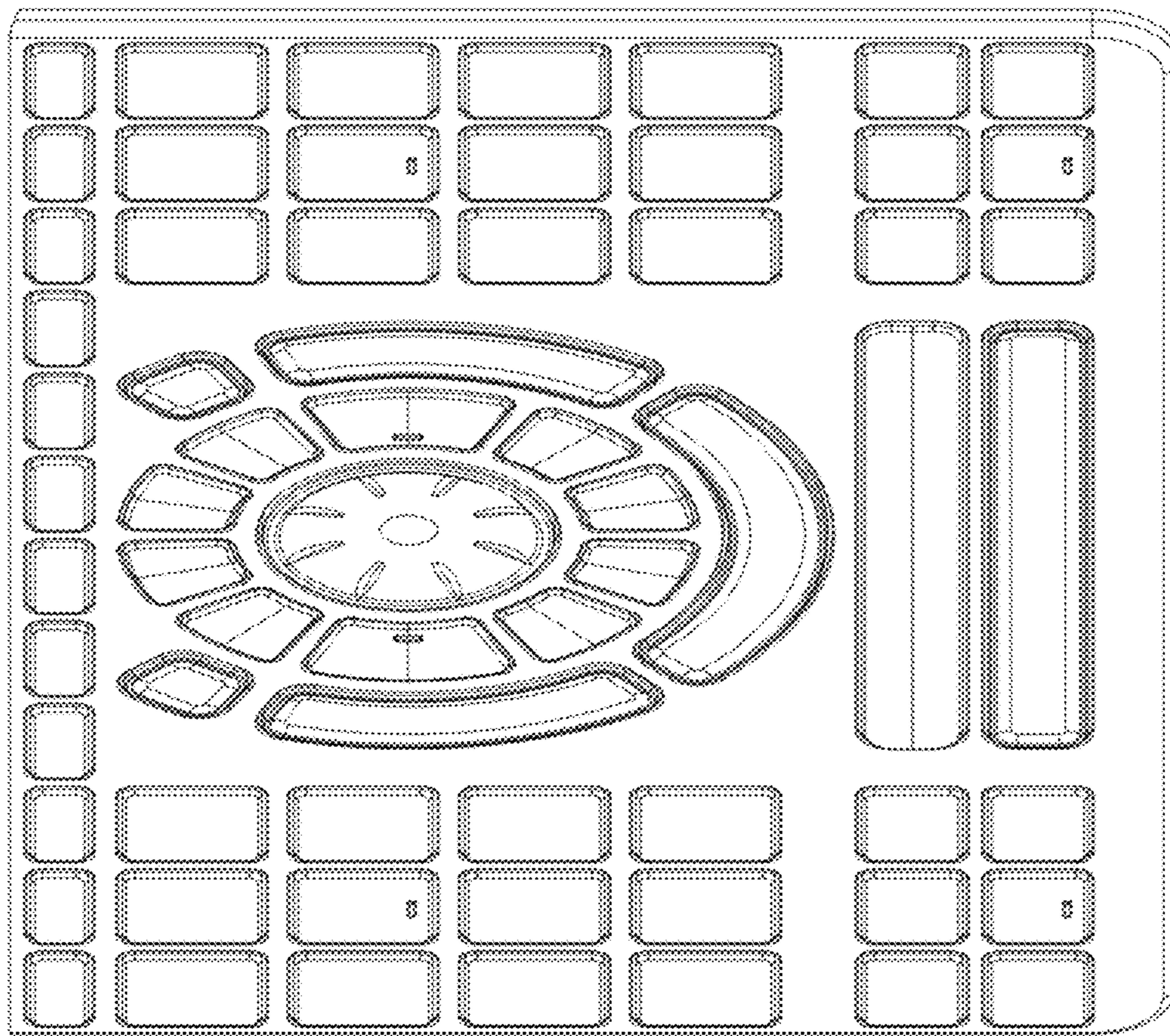


FIG. 19

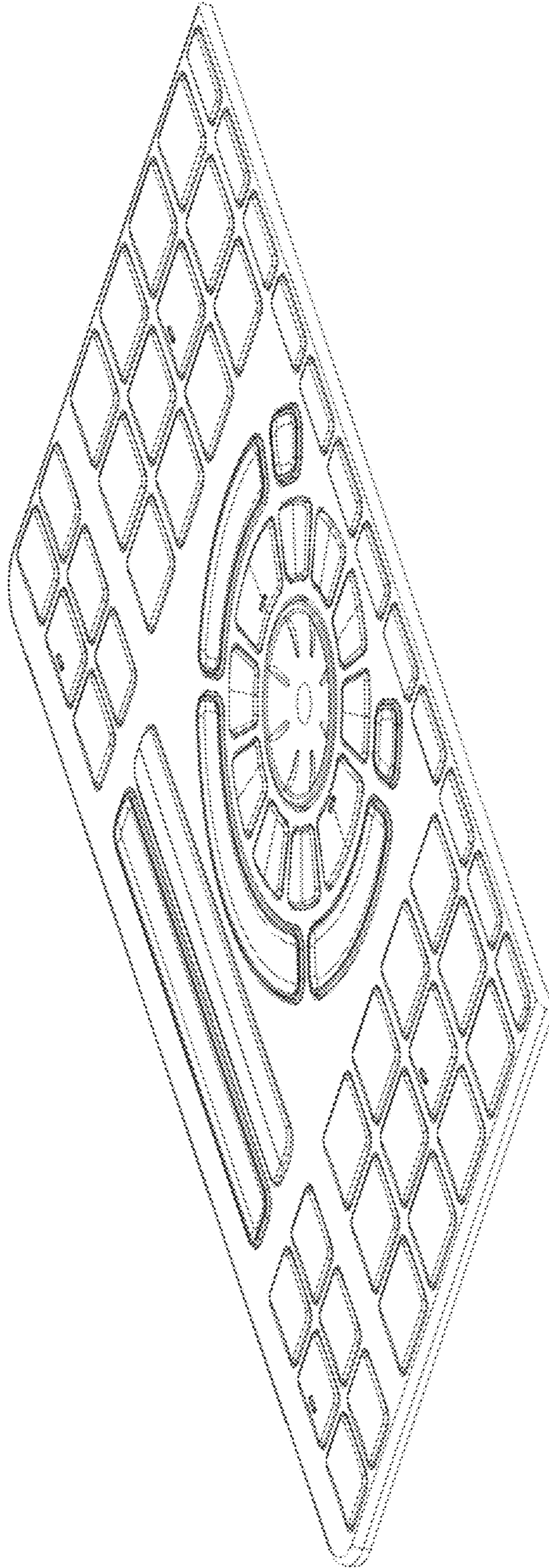


FIG. 20

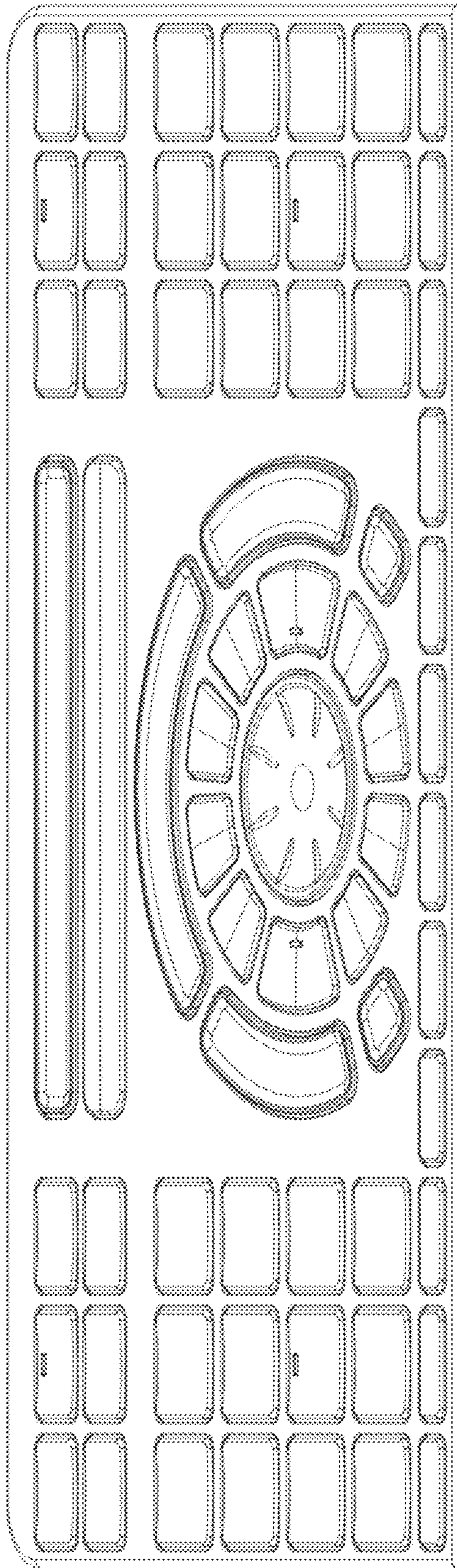


FIG. 21

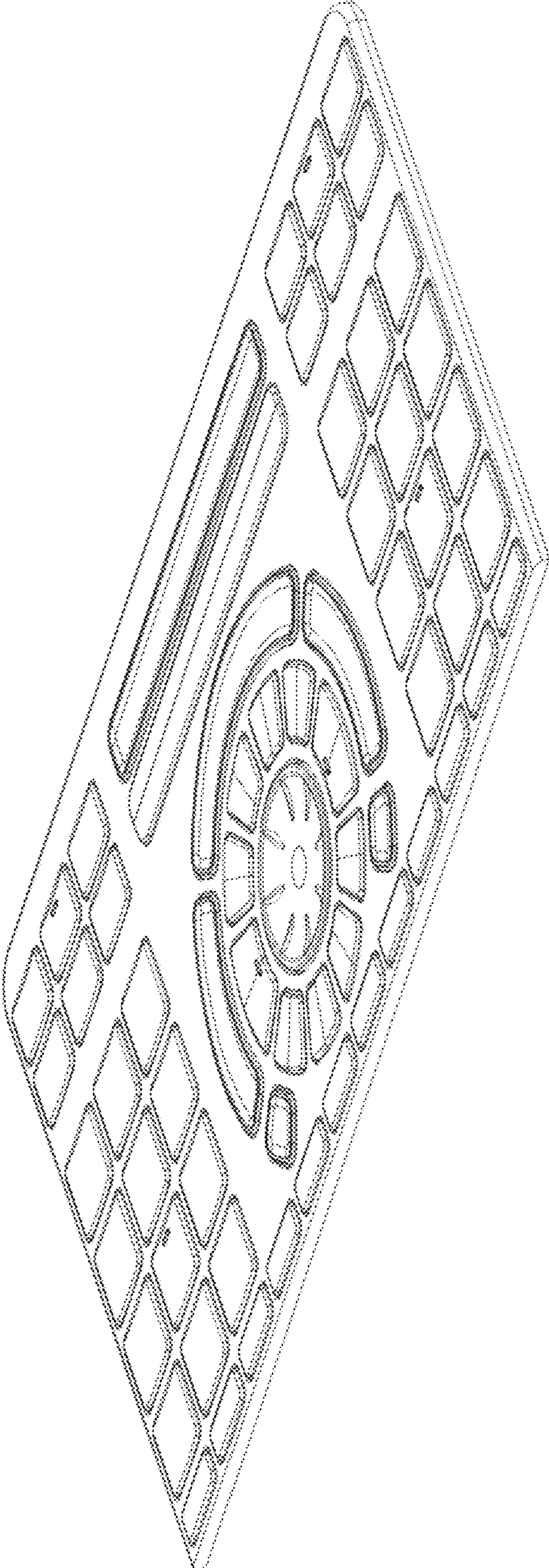


FIG. 22

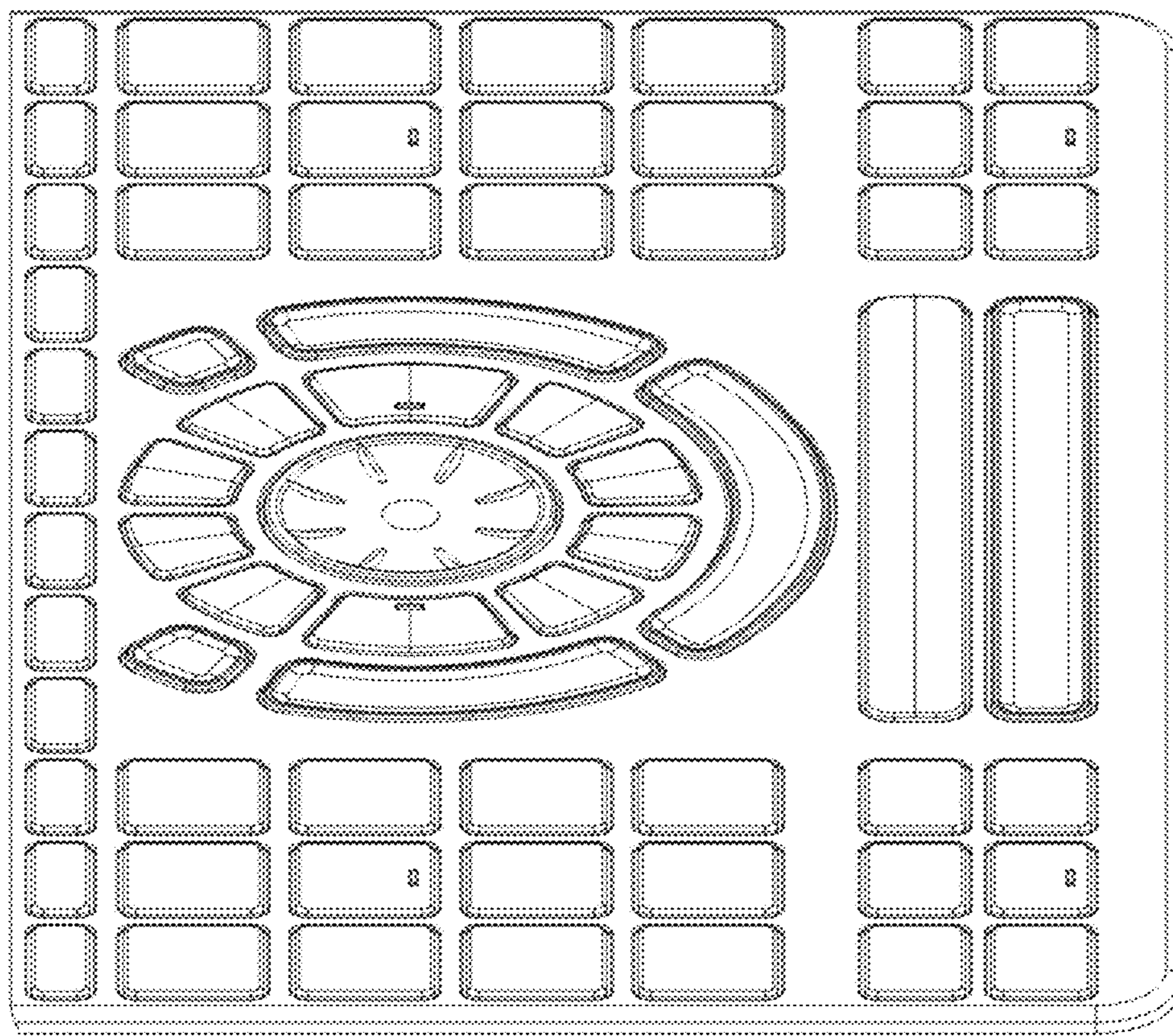


FIG. 23

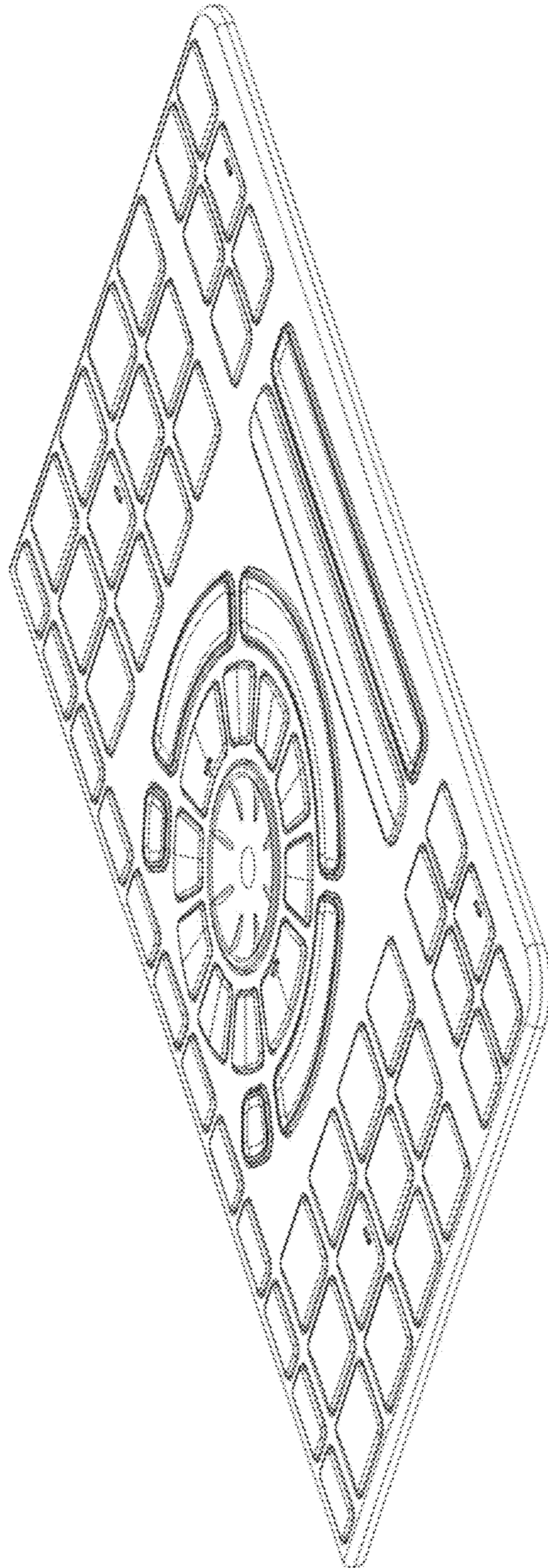


FIG. 24

