



US00D822032S

(12) **United States Design Patent** (10) **Patent No.:** **US D822,032 S**
Kwon et al. (45) **Date of Patent:** **** Jul. 3, 2018**

(54) **STAND FOR MONITOR**

(71) Applicant: **Samsung Electronics Co., Ltd.**,
Suwon-si (KR)

(72) Inventors: **Han-Sol Kwon**, Gwangmyeong-si
(KR); **Tae-Yeon Won**, Seoul (KR)

(73) Assignee: **SAMSUNG ELECTRONICS CO., LTD.**,
Suwon-si (KR)

(**) Term: **15 Years**

(21) Appl. No.: **29/598,337**

(22) Filed: **Mar. 24, 2017**

(30) **Foreign Application Priority Data**

Sep. 30, 2016 (KR) 30-2016-0047238

(51) **LOC (11) Cl.** **14-02**

(52) **U.S. Cl.**
USPC **D14/451**

(58) **Field of Classification Search**

USPC D14/371-382, 125-129, 335-337,
D14/447-452, 492, 239, 457, 439-441,
D14/432, 251-253; D8/349, 354, 363,
D8/373, 376, 380; 348/180, 184, 325,
348/739, 825; D12/407, 415; D3/218;
341/12

CPC G06F 3/0412; G06F 3/016; G06F 3/0488;
G06F 3/011; G06F 3/038; G06F 3/03543;
G06F 3/0338; G06F 3/0202; G06F
3/0219; G06F 3/0213; G06F 1/1616;
G06F 3/023; G06F 3/04883; G02F
1/13338; G02F 1/1313; G02F 1/1333;
G02F 1/135; G02F 1/132; G02F
1/133308; G02F 1/134309;

(Continued)

(56) **References Cited**

U.S. PATENT DOCUMENTS

D624,062 S * 9/2010 Kasuga D14/239
D628,578 S * 12/2010 Chou D14/451

(Continued)

FOREIGN PATENT DOCUMENTS

EM 002766899-0001 9/2015
KR 300574338 10/2010

(Continued)

Primary Examiner — Katie Jane Stofko

(74) *Attorney, Agent, or Firm* — McAndrews Held &
Malloy, Ltd.

(57) **CLAIM**

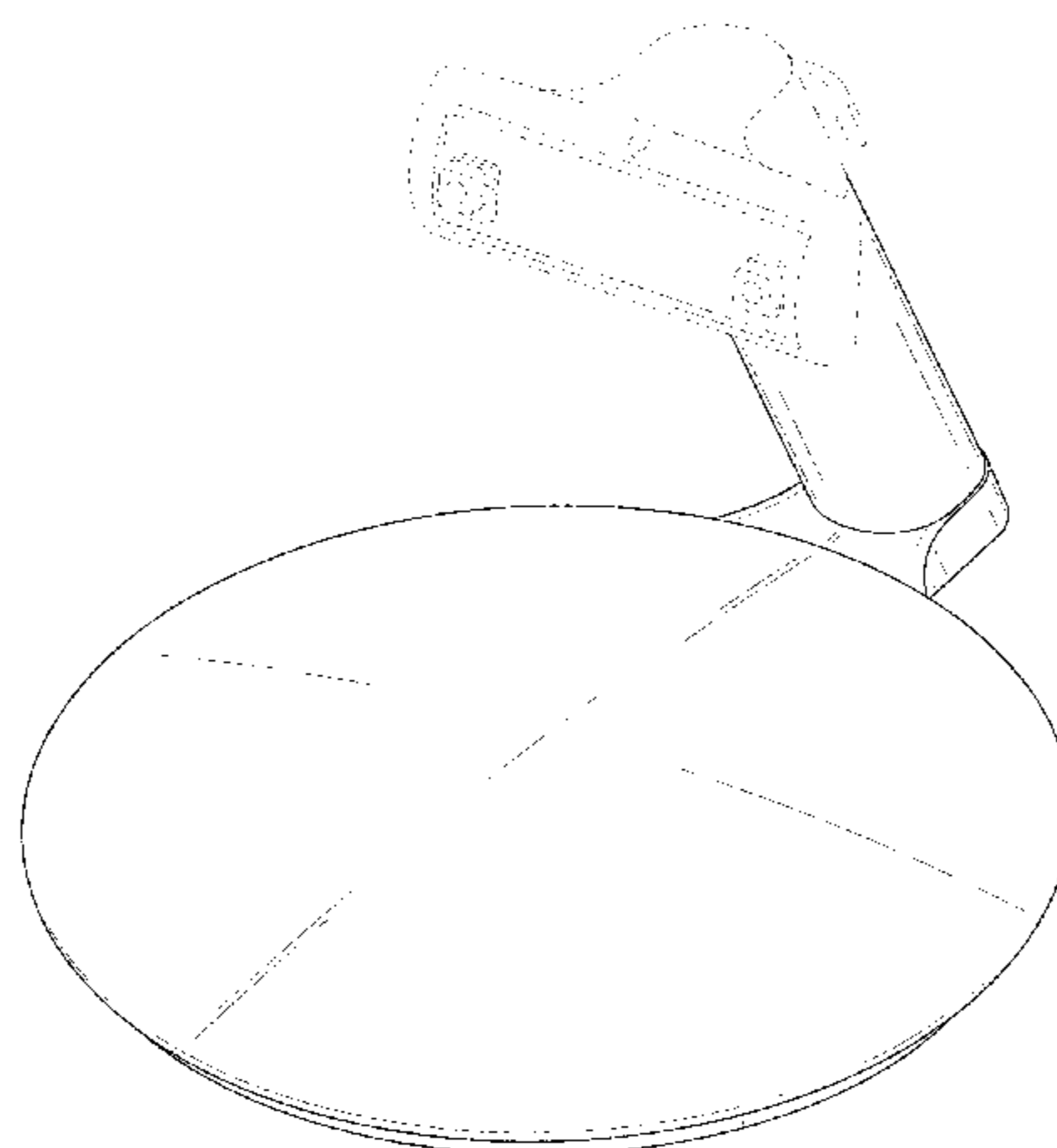
The ornamental design for a stand for monitor, as shown and described.

DESCRIPTION

FIG. 1 is a front perspective view of a stand for monitor showing our new design;
FIG. 2 is a front elevation view thereof;
FIG. 3 is a rear elevation view thereof;
FIG. 4 is a left side elevation view thereof;
FIG. 5 is a right side elevation view thereof;
FIG. 6 is a top plan view thereof;
FIG. 7 is a bottom plan view thereof;
FIG. 8 is a rear perspective view thereof;
FIG. 9 is a front perspective view thereof, shown in an environment of use; and,
FIG. 10 is a rear perspective view thereof, shown in an environment of use.

The evenly-spaced broken lines shown in FIGS. 1-8 illustrate portions of the stand for monitor that form no part of the claimed design. The evenly-spaced broken lines in FIGS. 9 and 10 illustrating a monitor are environment, while the remaining broken lines in FIG. 10 illustrate portions of the

(Continued)



stand for monitor that form no part of the claimed design. The dash-dot broken lines in FIGS. 1-6, 8 and 10 illustrate the boundary of the claimed design that forms no part thereof.

1 Claim, 10 Drawing Sheets

(58) **Field of Classification Search**

CPC G02F 1/13718; G09G 3/3648; G06K 15/1252; B41J 2/465; G03F 7/70291; G02B 27/0172; G02B 5/30; G02B 2027/0118; G02B 27/0101; F16M 13/02; F16M 13/00; F16M 11/10; F16M 11/04; F16M 2200/08; F16M 11/2021; A47B 21/0314; A47B 88/044; A47B 21/0335; H02G 3/126; F16B 47/00; F16B 47/006; A47G 1/17; A47K 2201/00

See application file for complete search history.

(56)

References Cited

U.S. PATENT DOCUMENTS

D635,975	S	*	4/2011	Seo	D14/374
D664,956	S	*	8/2012	Lee	D14/371
D667,826	S	*	9/2012	Lee	D14/374
D681,647	S	*	5/2013	Choi	D14/451
D685,805	S	*	7/2013	Lu	D14/451
D691,605	S	*	10/2013	Won	D14/374
D697,880	S	*	1/2014	Lee	D14/126
D704,708	S		5/2014	Huh et al.		
D723,526	S	*	3/2015	Yoo	D14/239
D733,160	S	*	6/2015	Lee	D14/451
D801,979	S	*	11/2017	Seo	D14/451
D805,522	S	*	12/2017	Won	D14/451

FOREIGN PATENT DOCUMENTS

KR	300617124	10/2011
KR	300740615	4/2014

* cited by examiner

FIG. 1

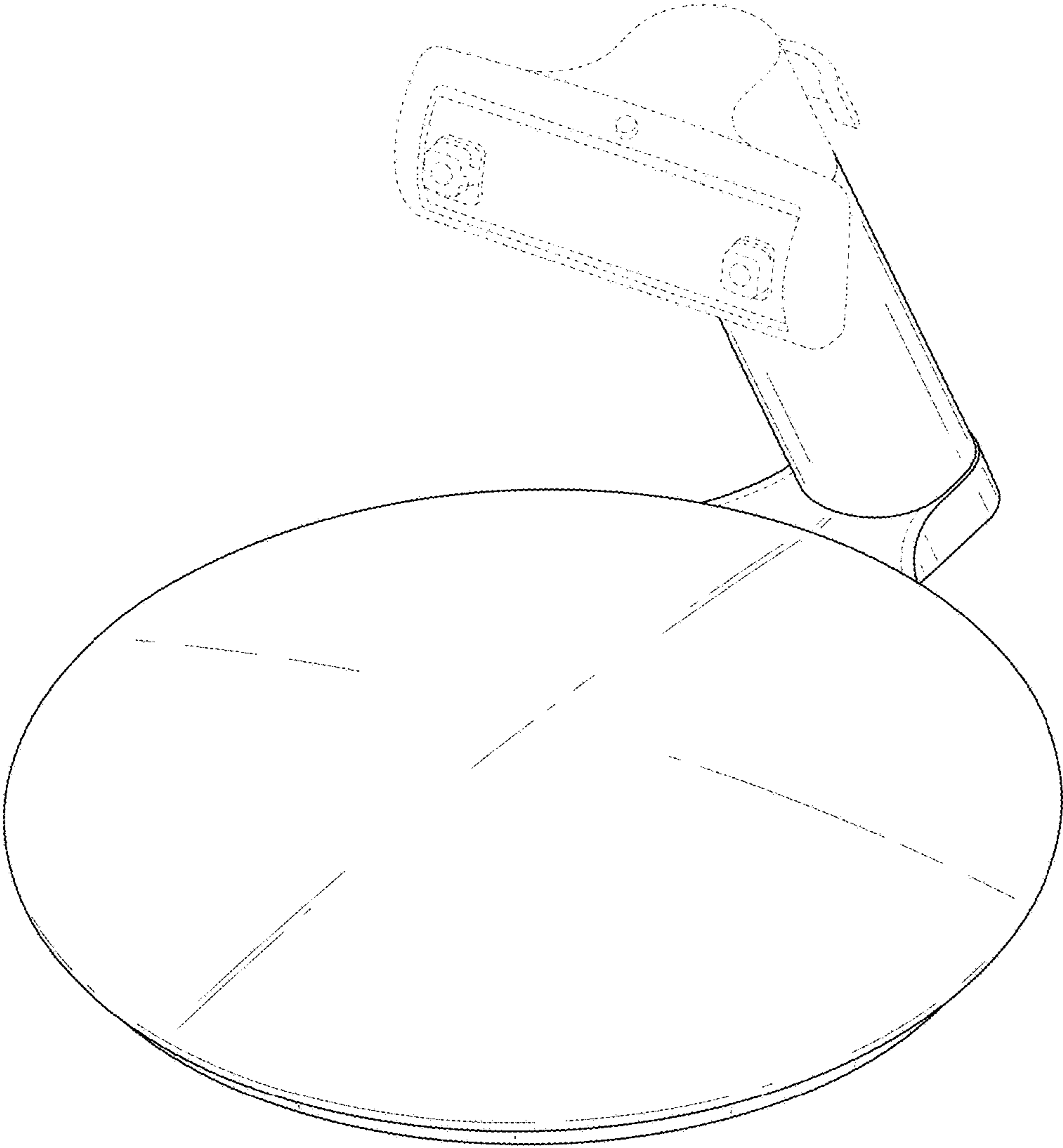


FIG. 2

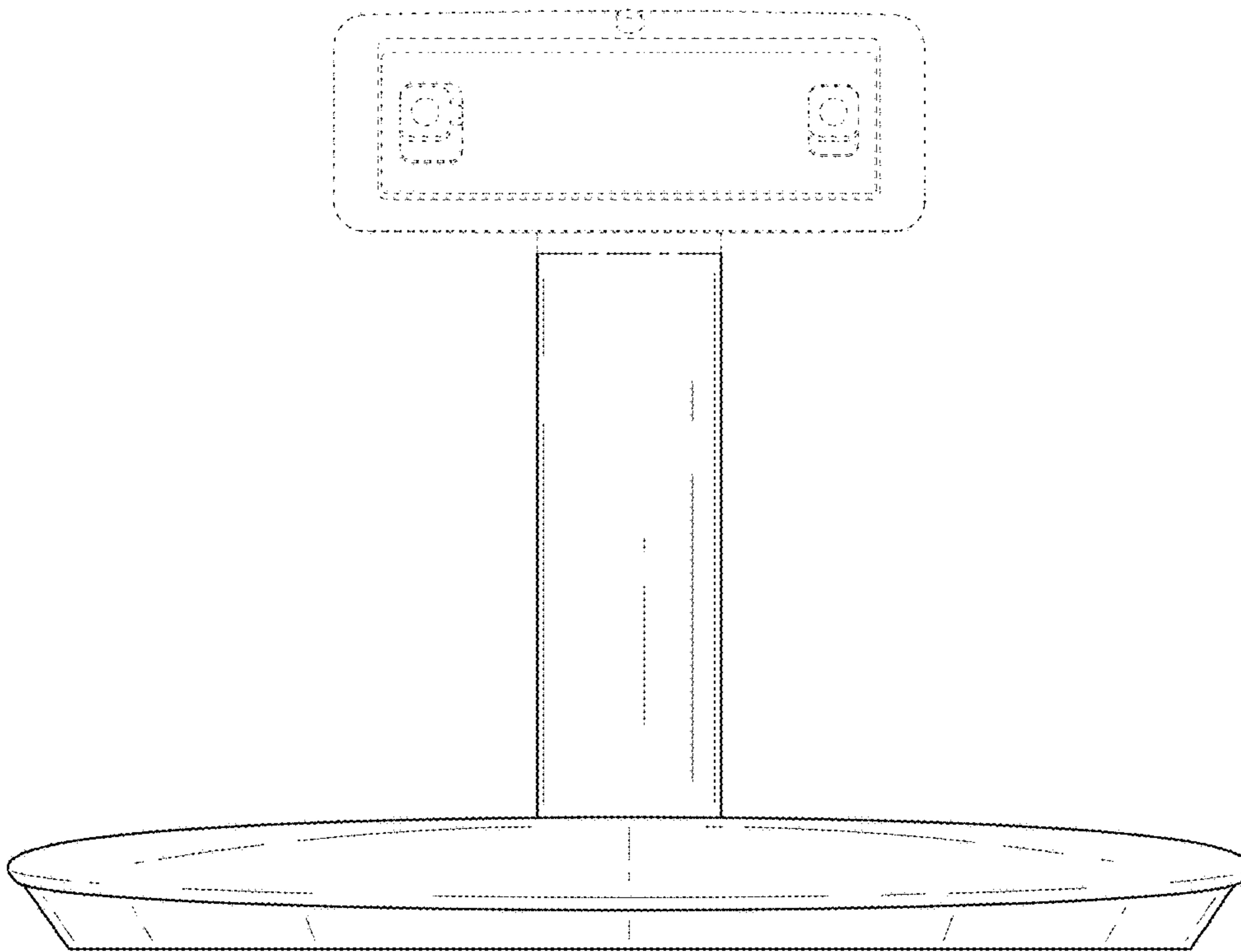


FIG. 3

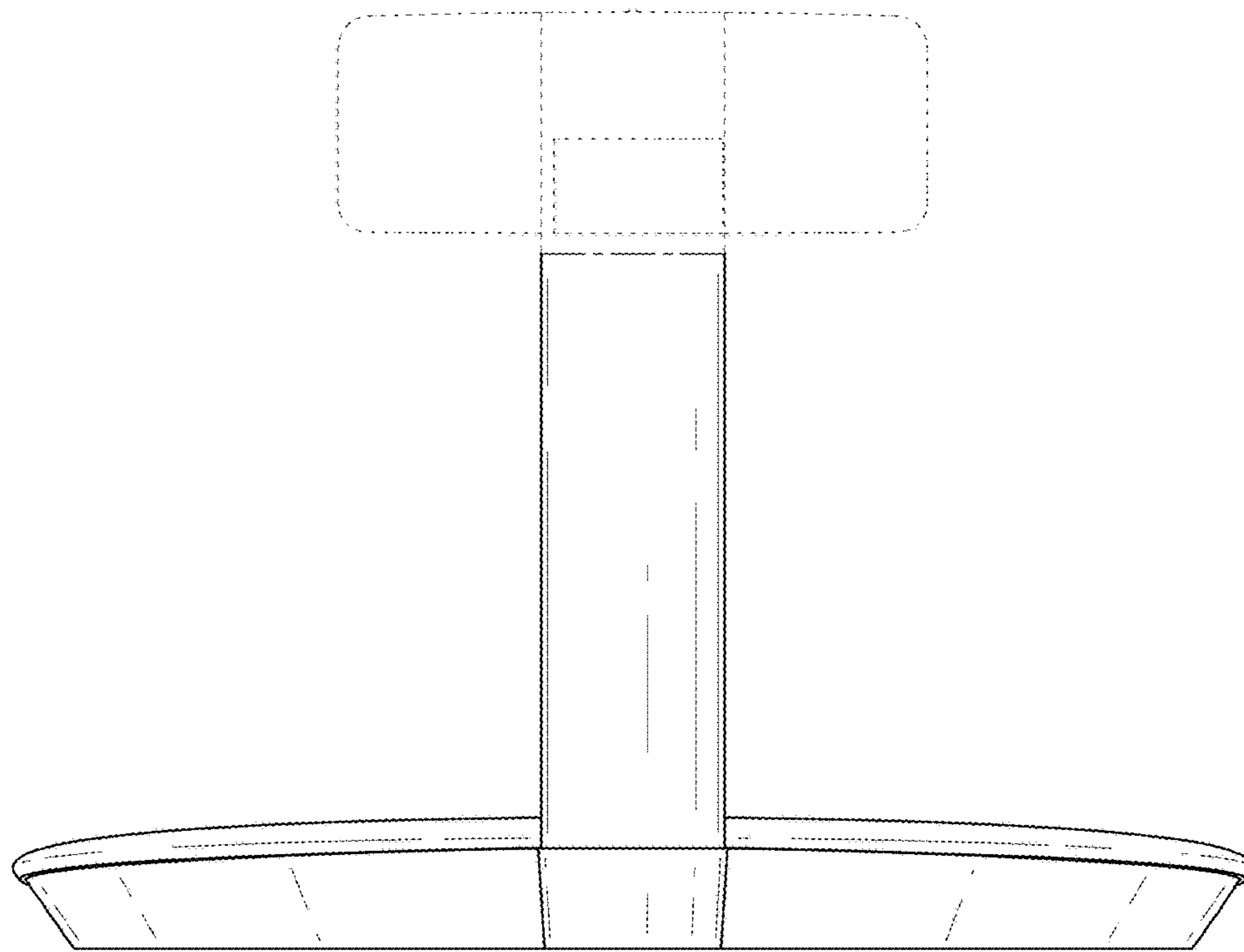


FIG. 4

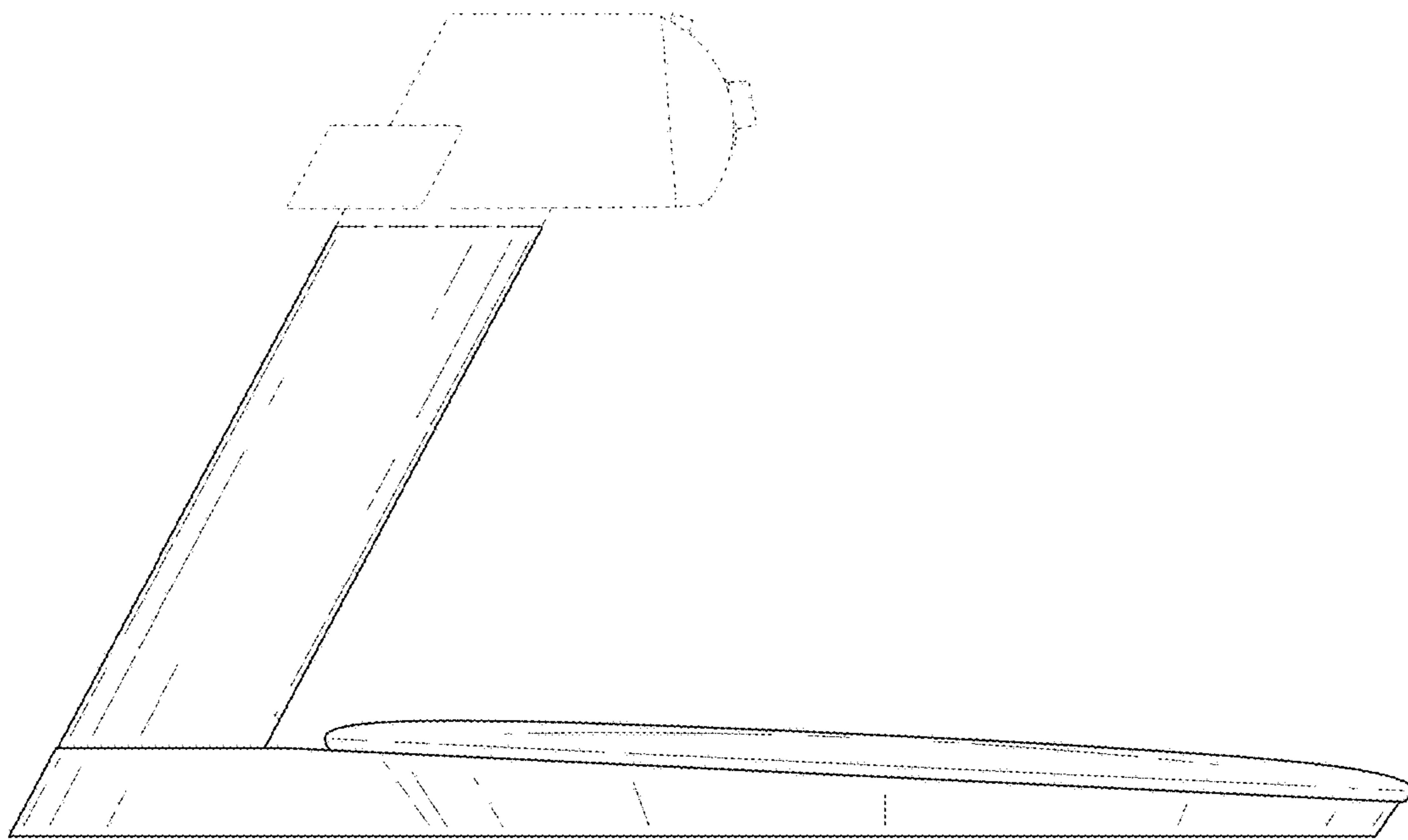


FIG. 5

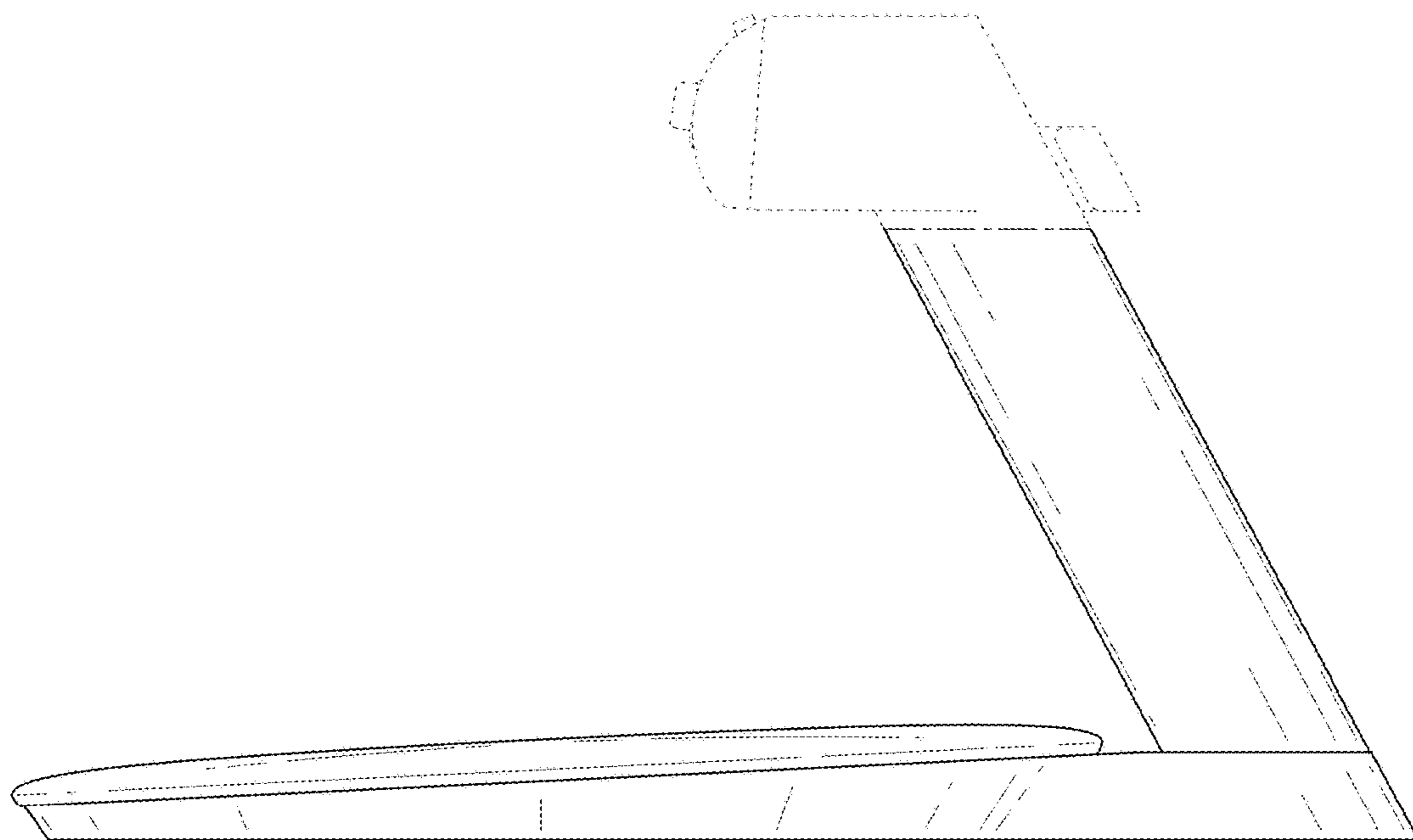


FIG. 6

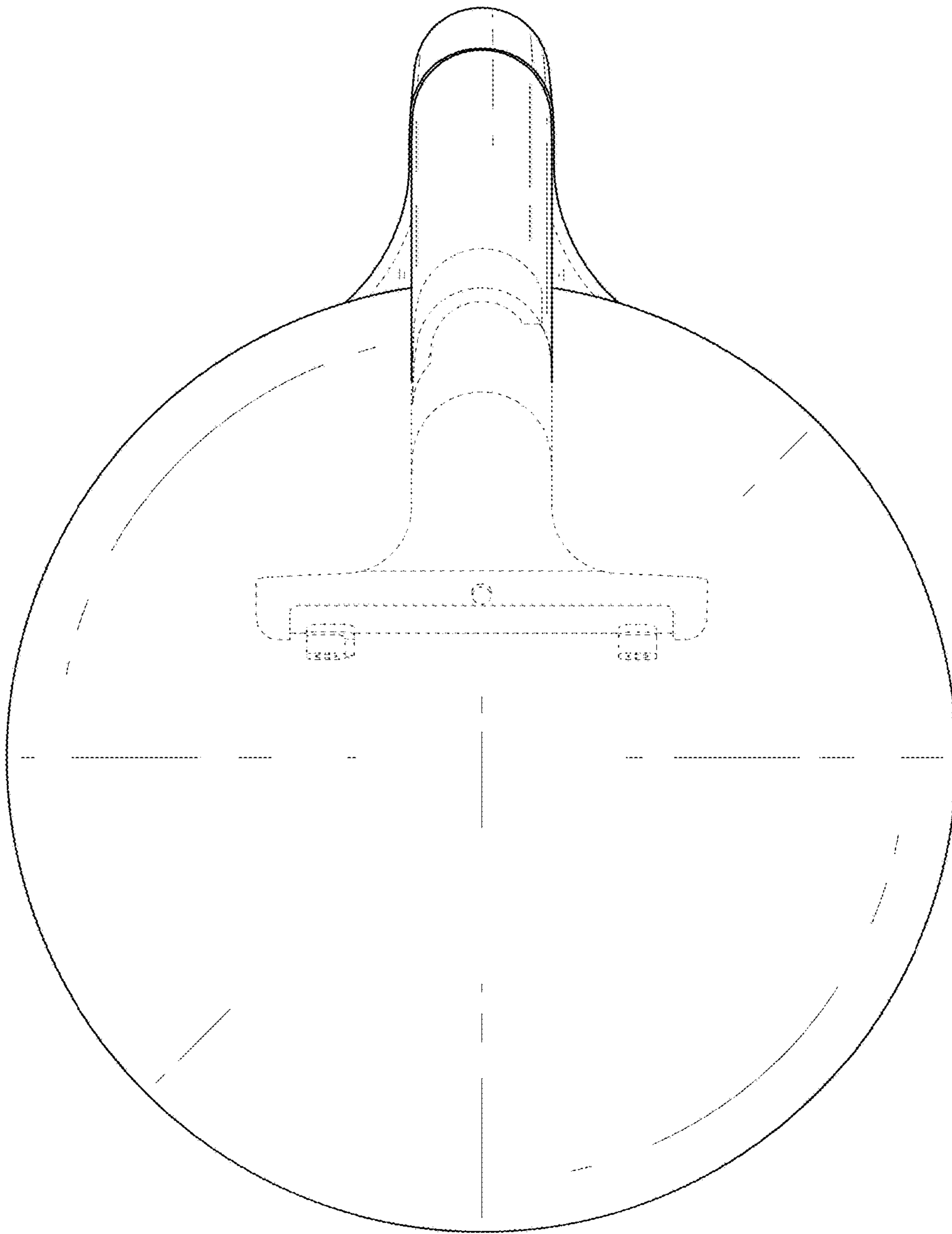


FIG. 7

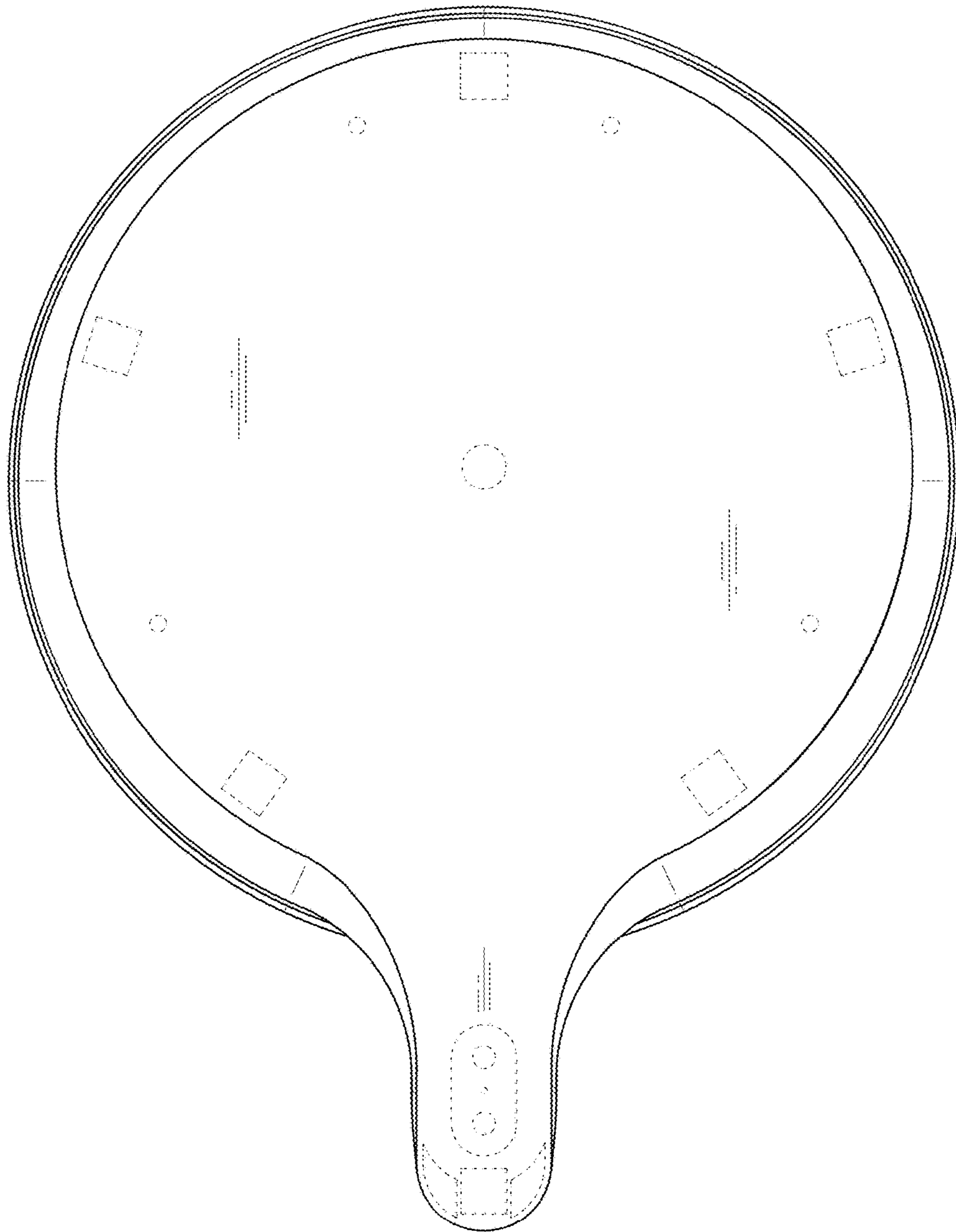


FIG. 8

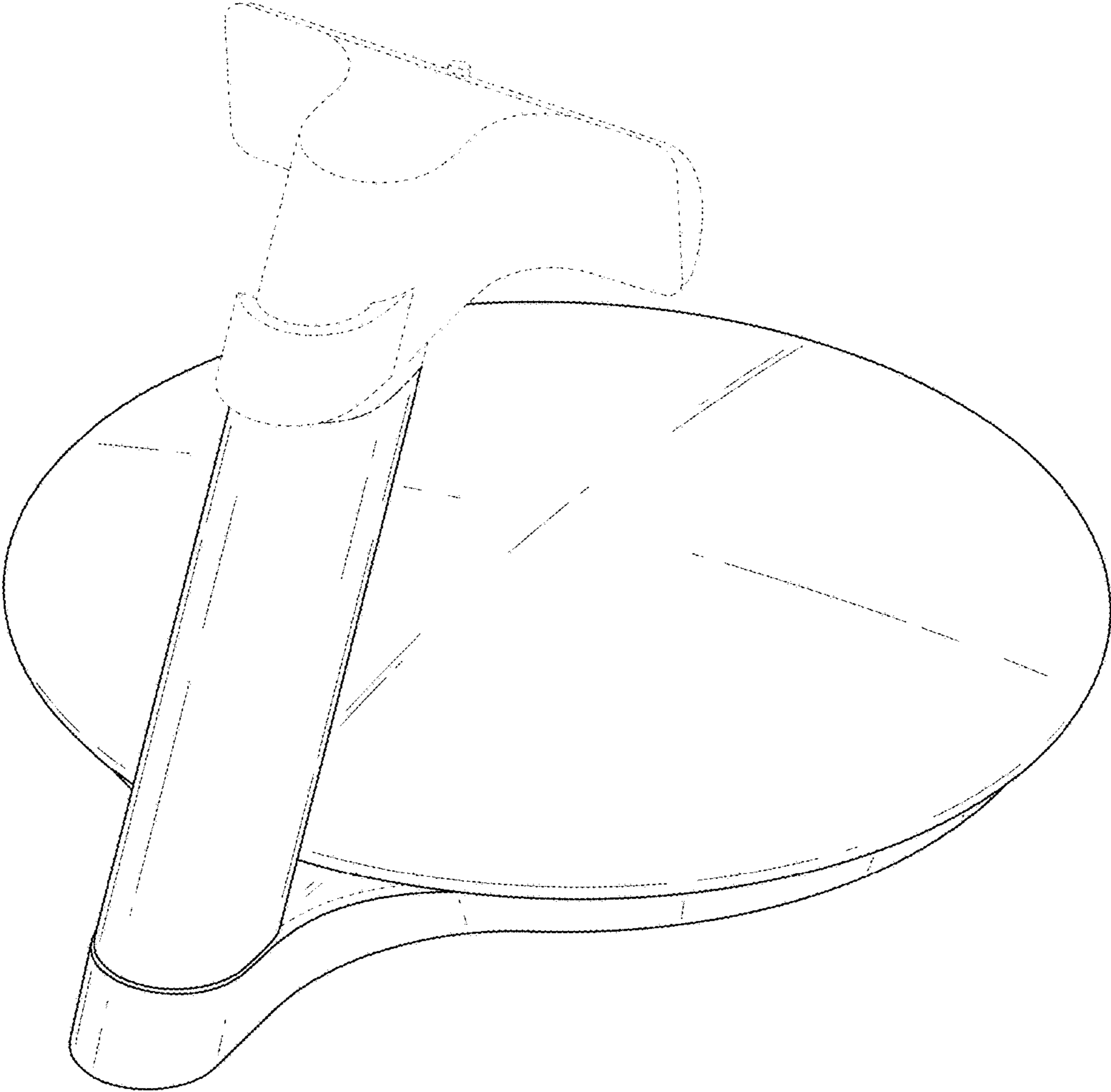


FIG. 9

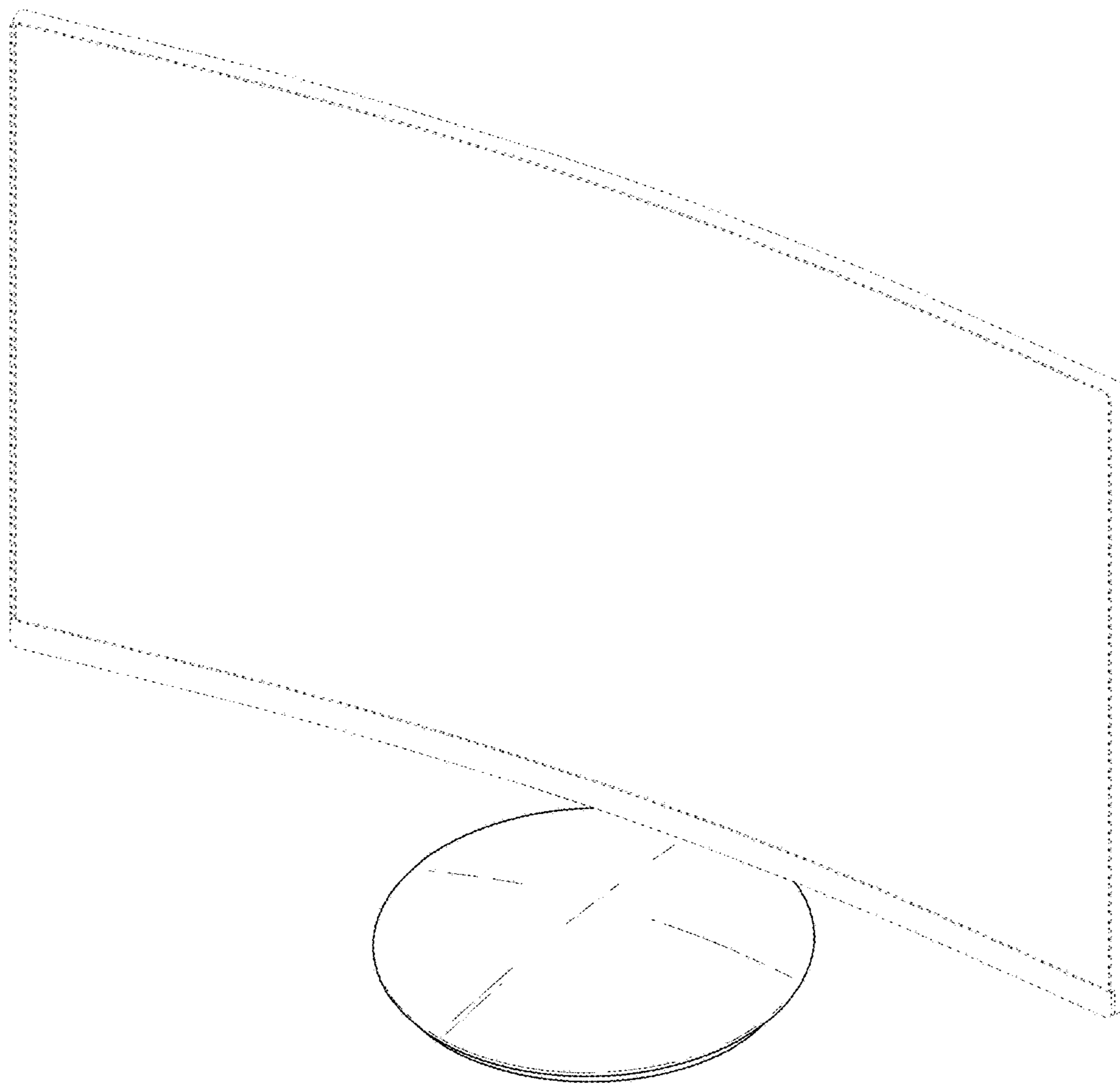


FIG. 10

