



US00D822031S

(12) **United States Design Patent** (10) **Patent No.:** **US D822,031 S**
Ching (45) **Date of Patent:** **** Jul. 3, 2018**

(54) **COMBINED MONITOR STAND AND DESK ORGANIZER**

(71) Applicant: **David Ching**, Burlingame, CA (US)

(72) Inventor: **David Ching**, Burlingame, CA (US)

(**) Term: **15 Years**

(21) Appl. No.: **29/574,800**

(22) Filed: **Aug. 18, 2016**

(51) **LOC (11) Cl.** **14-02**

(52) **U.S. Cl.**
USPC **D14/451**

(58) **Field of Classification Search**
USPC D14/371-382, 125-129, 335-337, D14/447-452, 492, 239, 457, 439-441, D14/432, 251-253, 204, 209, 214-216; D8/349, 354, 363, 373, 376, 380; 348/180, 184, 325, 739, 825; D12/407, D12/415; D3/218; 341/12; D6/661, D6/675.1, 675.3, 677.1, 678.1, 678.2, D6/653.1, 653.15, 653.18, 653.19
CPC G06F 3/0412; G06F 3/016; G06F 3/0488; G06F 3/011; G06F 3/038; G06F 3/03543; G06F 3/0338; G06F 3/0202; G06F 3/0219; G06F 3/0213; G06F 1/1616; G06F 3/023; G06F 3/04883; G02F 1/13338; G02F 1/1313; G02F 1/1333; G02F 1/135; G02F 1/132; G02F 1/133308; G02F 1/134309; G02F 1/13718; G09G 3/3648; G06K 15/1252; B41J 2/465; G03F 7/70291; G02B 27/0172; G02B 5/30; G02B 2027/0118; G02B 27/0101; F16M 13/02; F16M 13/00; F16M 11/10; F16M 11/04; F16M 2200/08; F16M 11/2021; A47B 21/0314; A47B 88/044; A47B 2021/0335; H02G 3/126; F16B 47/00; F16B 47/006; A47G 1/17; A47K 2201/00

See application file for complete search history.

(56) **References Cited**

U.S. PATENT DOCUMENTS

D111,140 S * 9/1938 Granquist D6/664
3,872,802 A 3/1975 Scheerhorn et al.
4,313,112 A 1/1982 Foster
4,657,214 A 4/1987 Foster

(Continued)

FOREIGN PATENT DOCUMENTS

JP 2006129969 A 5/2006

Primary Examiner — Katie Jane Stofko

(74) *Attorney, Agent, or Firm* — Endurance Law Group PLC

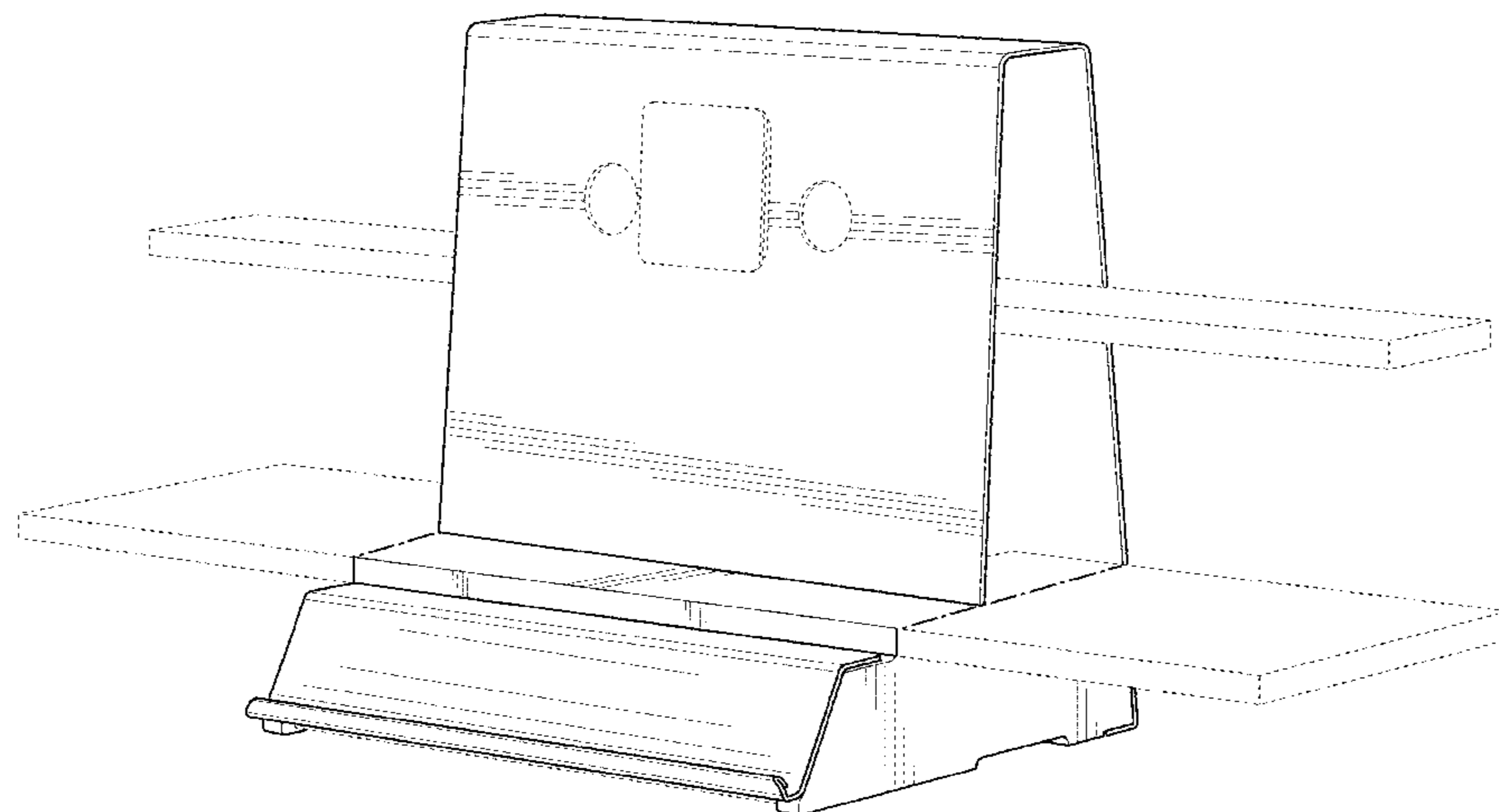
(57) **CLAIM**

I claim the ornamental design for a combined monitor stand and desk organizer, as shown and described.

DESCRIPTION

FIG. 1 is perspective view of a combined monitor stand and desk organizer according to the present invention; FIG. 2 is a front view of the combined monitor stand and desk organizer; FIG. 3 is a rear view of the combined monitor stand and desk organizer; FIG. 4 is a left side view of the combined monitor stand and desk organizer; FIG. 5 is a right side view of the combined monitor stand and desk organizer; FIG. 6 is a top view of the combined monitor stand and desk organizer; and, FIG. 7 is a bottom view of the combined monitor stand and desk organizer. The evenly-spaced broken lines in FIGS. 1-7 illustrate portions of the claimed monitor stand and desk organizer that form no part of the claimed design. The dash-dot-dash broken lines of FIGS. 1, 2 and 6 illustrate the boundary of the claimed design which forms no part thereof.

1 Claim, 6 Drawing Sheets



(56)

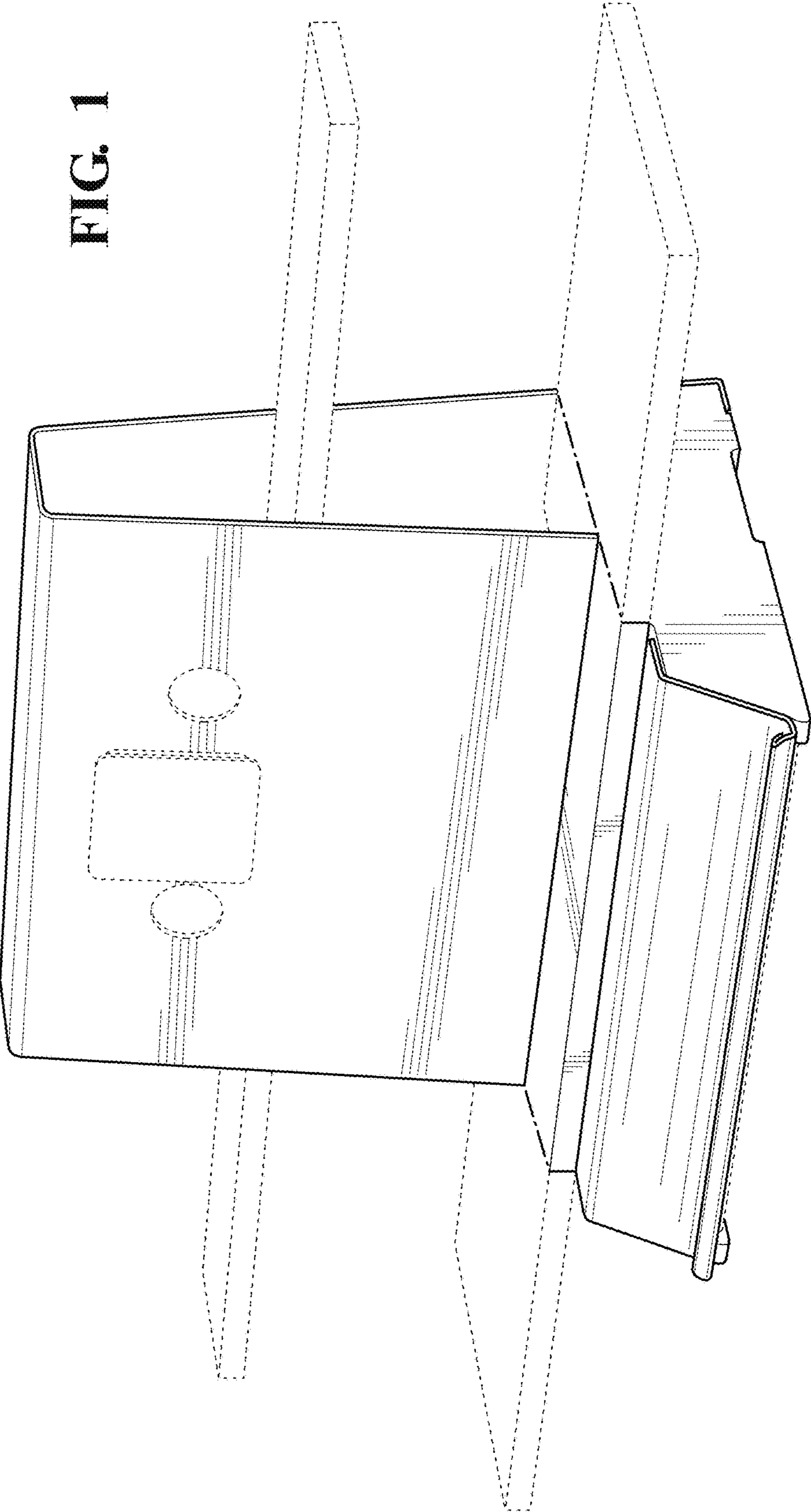
References Cited

U.S. PATENT DOCUMENTS

5,104,086	A	4/1992	Ramey, III et al.	
D361,454	S *	8/1995	Compton	D6/675.3
5,470,041	A	11/1995	Cucinotta	
6,109,585	A	8/2000	Burch, Jr.	
D458,053	S *	6/2002	Luong	D6/672
6,672,225	B2	1/2004	Pomodoro	
6,792,876	B2	9/2004	Lin	
D497,496	S *	10/2004	Stewart	D16/225
D497,737	S *	11/2004	Stewart	D16/225
D563,960	S *	3/2008	Beilstein	D14/447
D564,796	S *	3/2008	Zambelli	D6/677.1
D577,361	S *	9/2008	Beilstein	D14/447
D594,246	S	6/2009	Chang	
7,551,432	B1	6/2009	Bockheim et al.	
D595,977	S *	7/2009	Stebbens	D6/681.2
D620,284	S *	7/2010	Zambelli	D6/675.1
8,000,090	B2	8/2011	Moscovitch	
8,079,311	B2	12/2011	Whalen et al.	
8,174,823	B2	5/2012	Green	
8,191,485	B1	6/2012	Whalen et al.	
8,313,156	B2	11/2012	Ross	
D678,887	S *	3/2013	Stravitz	D14/451
8,418,861	B1 *	4/2013	Weaver	A47B 96/06 211/208
D756,137	S *	5/2016	Abelmann	D6/336
2004/0263030	A1	12/2004	Humberto	
2010/0315768	A1	12/2010	Green	
2010/0321876	A1	12/2010	Liu et al.	
2016/0120303	A1	5/2016	Constantino et al.	

* cited by examiner

FIG. 1



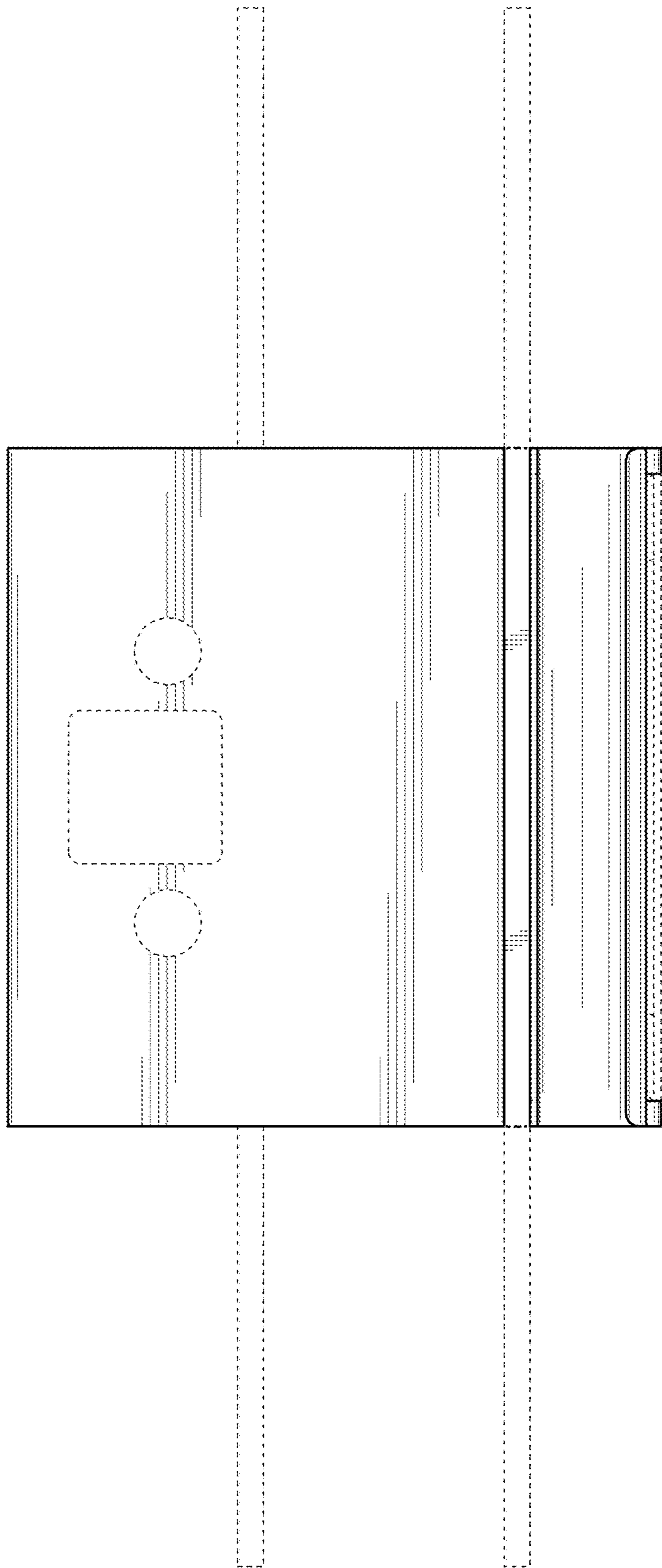


FIG. 2

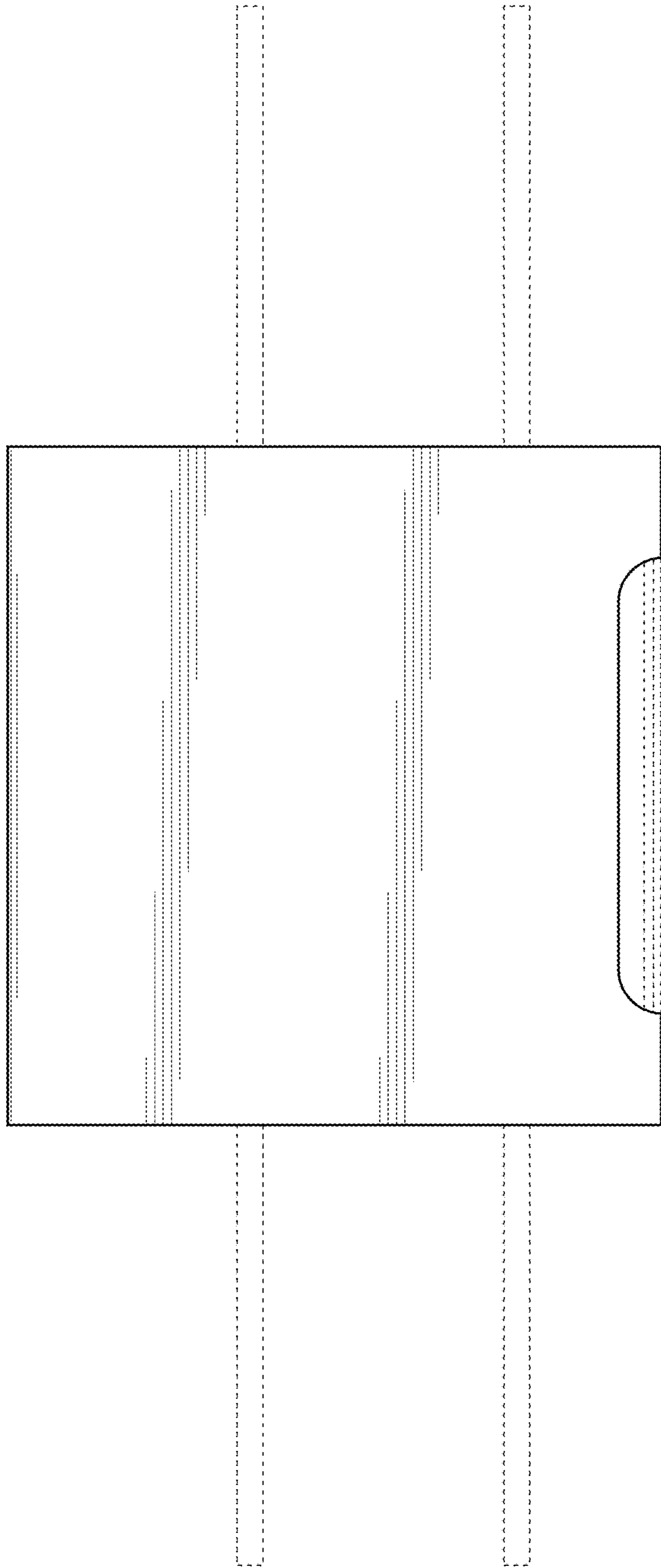


FIG. 3

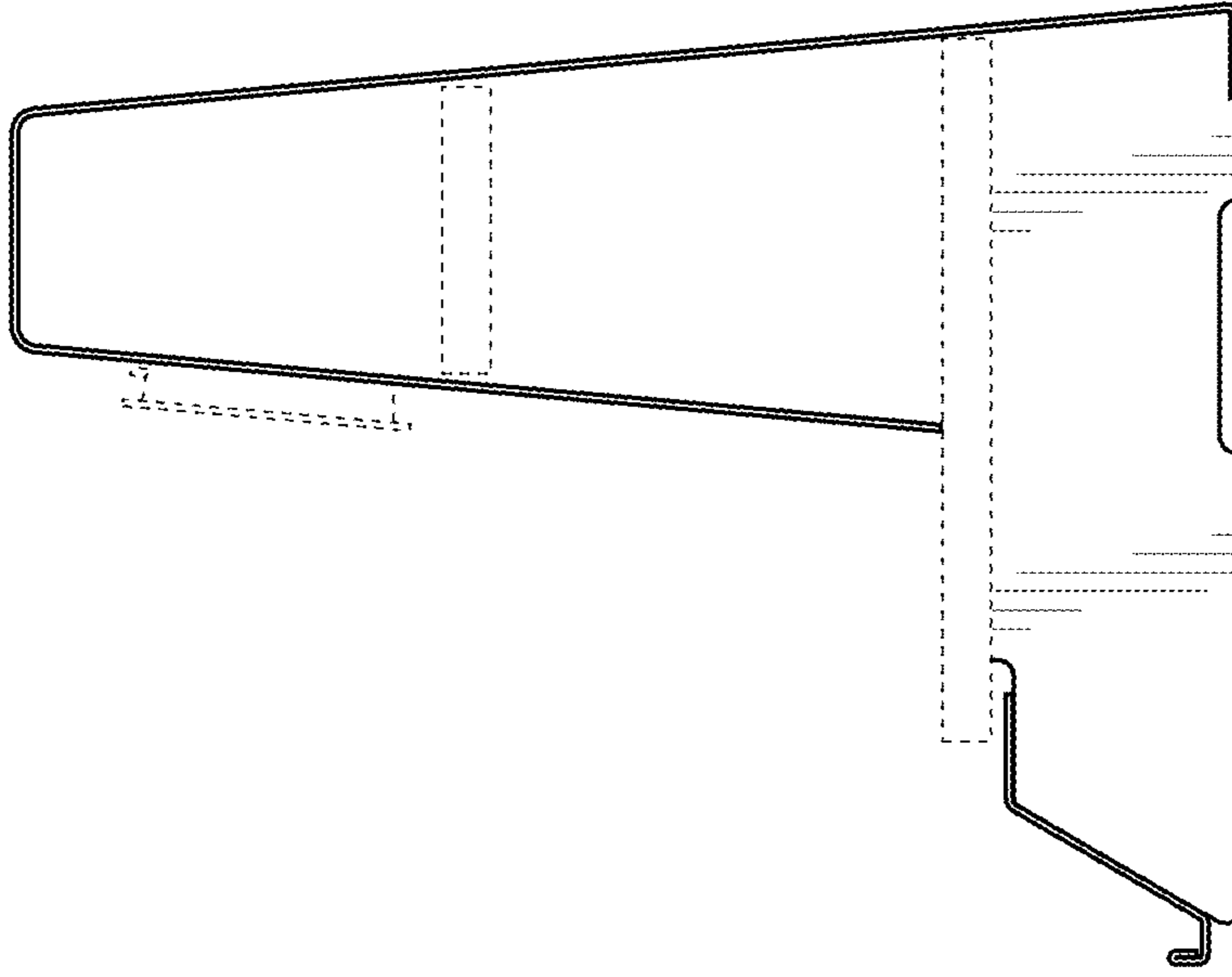


FIG. 5

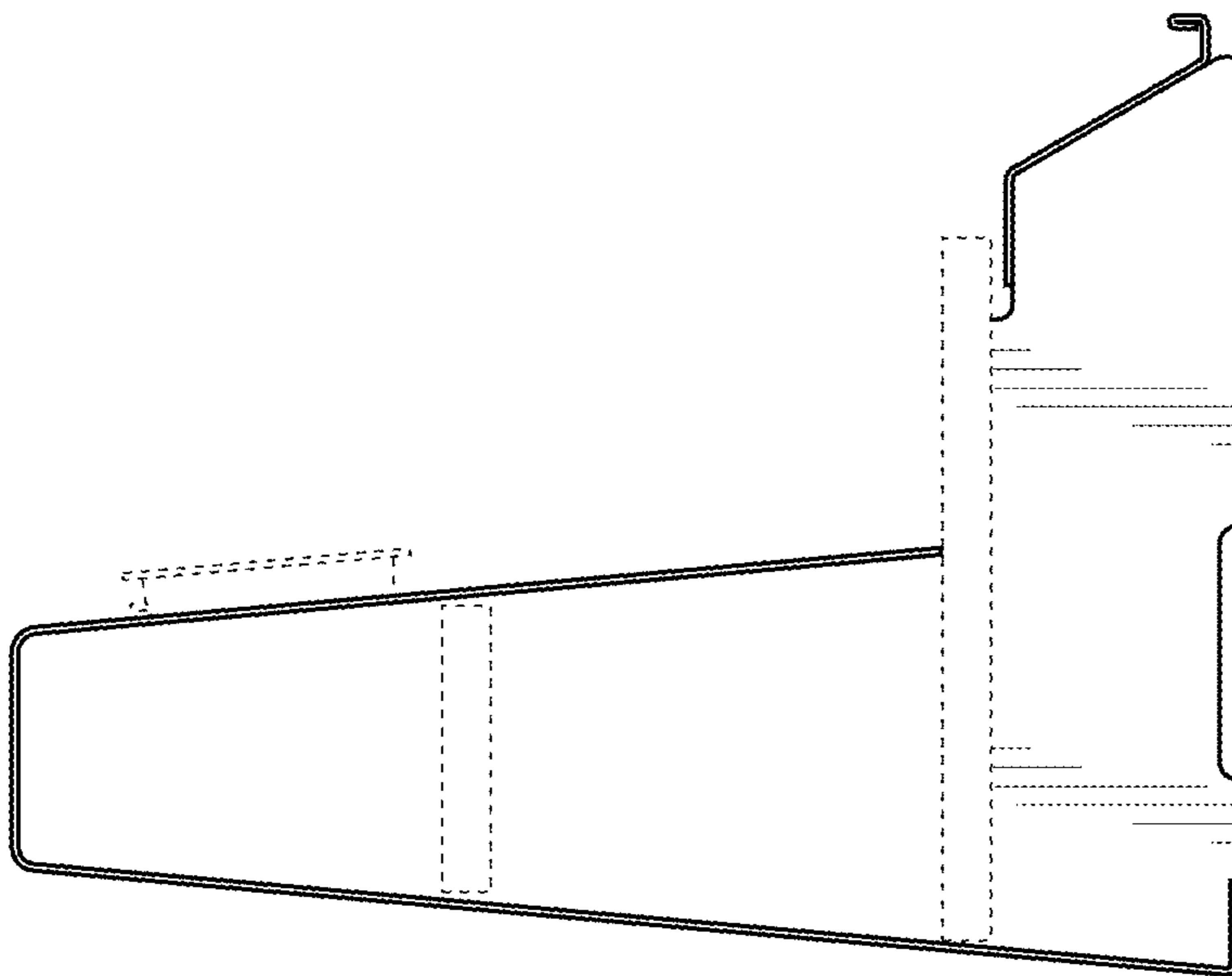


FIG. 4

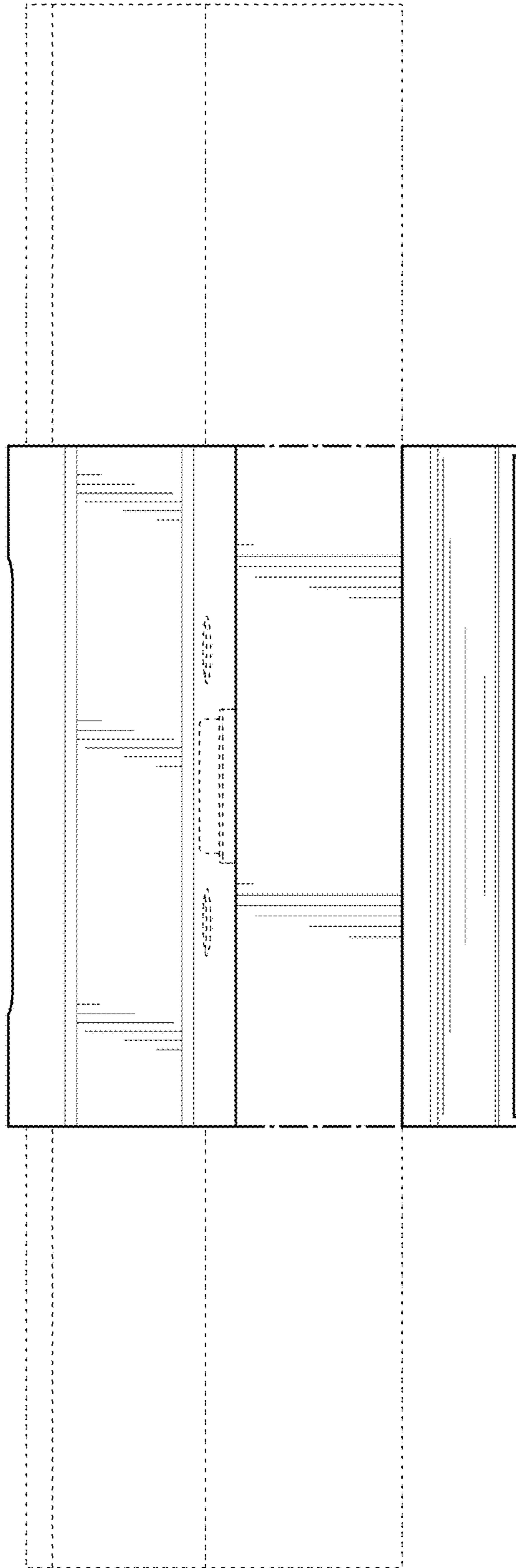


FIG. 6

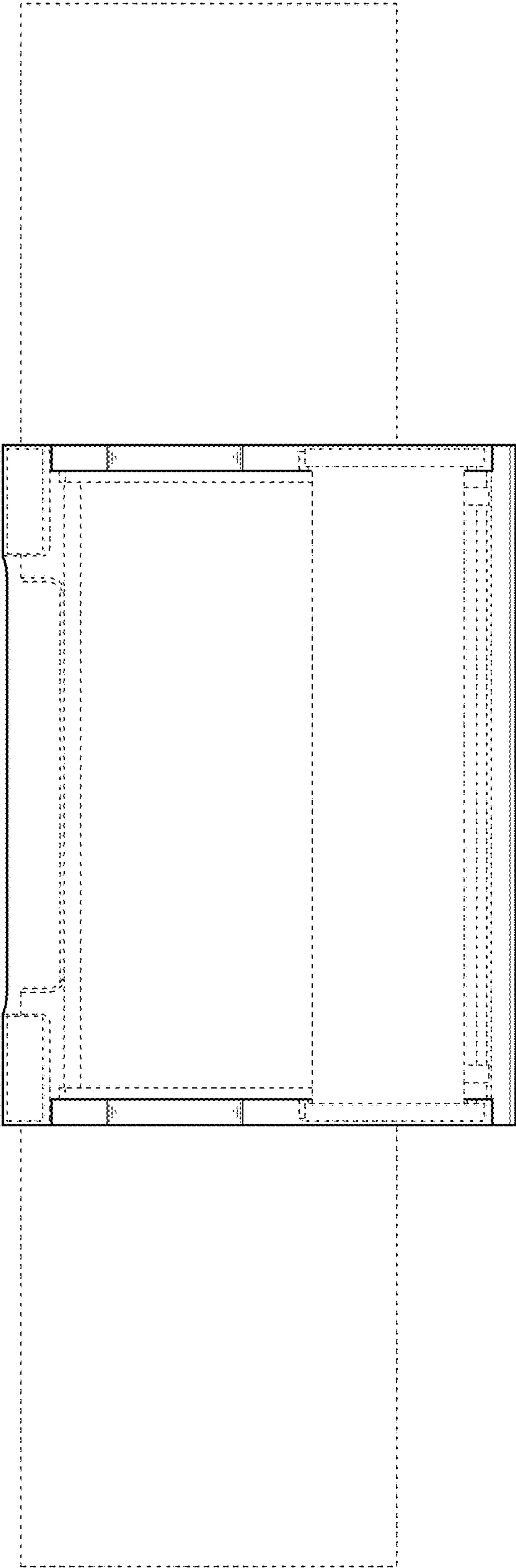


FIG. 7