

US00D822030S

(12) **United States Design Patent**
Barber et al.

(10) **Patent No.:** **US D822,030 S**
(45) **Date of Patent:** **** Jul. 3, 2018**

(54) **DISPLAY BEZEL**

(71) Applicant: **Rockwell Collins, Inc.**, Cedar Rapids, IA (US)

(72) Inventors: **Sarah Barber**, Cedar Rapids, IA (US); **Felix B. Turcios**, Cedar Rapids, IA (US); **Ian G. Kiefer**, Mount Vernon, IA (US); **Bernard S. McCaffrey**, Cedar Rapids, IA (US)

(73) Assignee: **Rockwell Collins, Inc.**, Cedar Rapids, IA (US)

(**) Term: **15 Years**

(21) Appl. No.: **29/569,692**

(22) Filed: **Jun. 29, 2016**

(51) **LOC (11) Cl.** **14-02**

(52) **U.S. Cl.**
USPC **D14/450**

(58) **Field of Classification Search**
USPC D14/371-382, 125-129, 336, 337, D14/447-452, 492, 335, 239, 457, D14/439-441, 432, 251-253, 341; D8/349, 354, 363, 373, 376, 380; D21/333; D12/345, 415; D3/218; 348/180, 184, 325, 739, 825; 248/323, 248/278.1, 286.1; D6/660, 661, 671, 672, D6/675, 675.1-675.3, 682, 677.1, 678.1, D6/678.2, 681.2

CPC G06F 3/0412; G06F 3/016; G06F 3/0488; G06F 3/011; G06F 3/038; G06F 3/03543; G06F 3/0338; G06F 3/0202; G06F 3/0219; G06F 3/0213; G06F 1/1616; G06F 3/023; G06F 3/04883; G02F 1/13338; G02F 1/1313; G02F 1/1333; G02F 1/135; G02F 1/132; G02F 1/133308; G02F 1/134309; G02F 1/13718; G09G 3/3648; G06K 15/1252; B41J 2/465; G03F 7/70291; G02B 27/0172; G02B 5/30; G02B 2027/0118;

G02B 27/0101; F16M 13/02; F16M 13/00; F16M 11/10; F16M 11/04; F16M 2200/08; F16M 11/2021; A47B 21/0314; A47B 88/044; A47B 2021/0335; H02G 3/126; F16B 47/00; F16B 47/006; A47G 1/17; A47K 2201/00

See application file for complete search history.

(56) **References Cited**

U.S. PATENT DOCUMENTS

D370,475	S	*	6/1996	Alfonso	D14/445
D381,974	S	*	8/1997	Alfonso	D14/445
5,825,613	A	*	10/1998	Holden	G06F 1/1601 248/919
D411,324	S	*	6/1999	Roorda	D26/72
D486,831	S	*	2/2004	Dayani	D14/448
D664,545	S	*	7/2012	Walker	D14/450
D753,127	S	*	4/2016	Walker	D14/450
9,317,146	B1	*	4/2016	Hufnagel	G09G 5/00

(Continued)

Primary Examiner — Katie Jane Stofko

(74) *Attorney, Agent, or Firm* — Angel N. Gerdzhikov; Donna P. Suchy; Daniel M. Barbieri

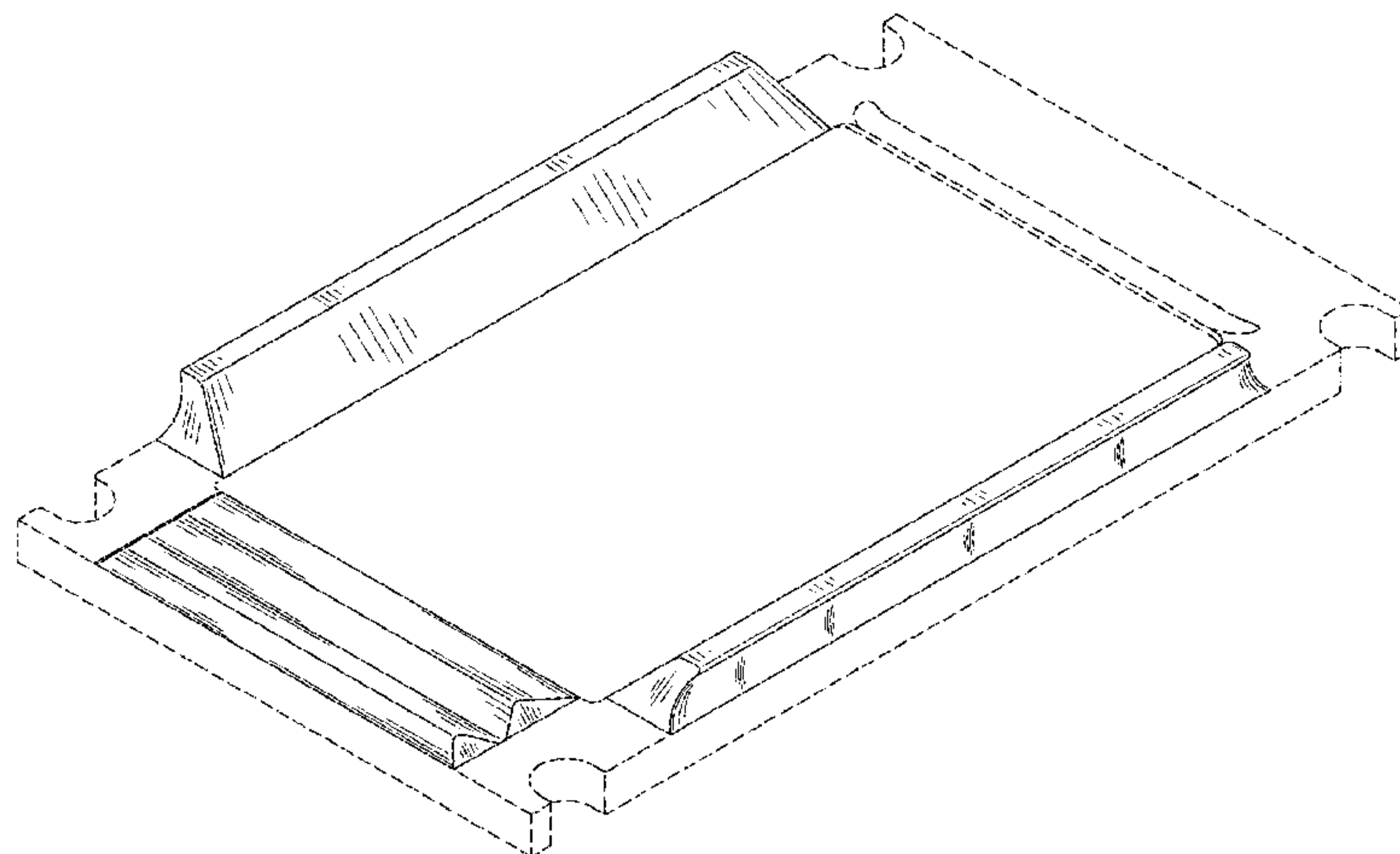
(57) **CLAIM**

The ornamental design for a display bezel, as shown and described.

DESCRIPTION

FIG. 1 is a perspective view of a display bezel showing our new design;
FIG. 2 is a front elevation view thereof;
FIG. 3 is a bottom plan view thereof;
FIG. 4 is a left side elevation view thereof;
FIG. 5 is a top plan view thereof;
FIG. 6 is a right side elevation view thereof; and,
FIG. 7 is a back elevation view thereof.
The broken lines in FIGS. 1-7 illustrate the environment of the claimed design and form no part thereof.

1 Claim, 7 Drawing Sheets



(56)

References Cited

U.S. PATENT DOCUMENTS

9,348,446	B1 *	5/2016	Barber	G06F 1/1601
9,372,565	B2 *	6/2016	Calub	G06F 3/016
9,668,364	B2 *	5/2017	Riedel	H05K 5/0017
D789,354	S *	6/2017	Rickett	D14/341
2012/0127115	A1 *	5/2012	Gannon	G06F 3/0418 345/174

* cited by examiner

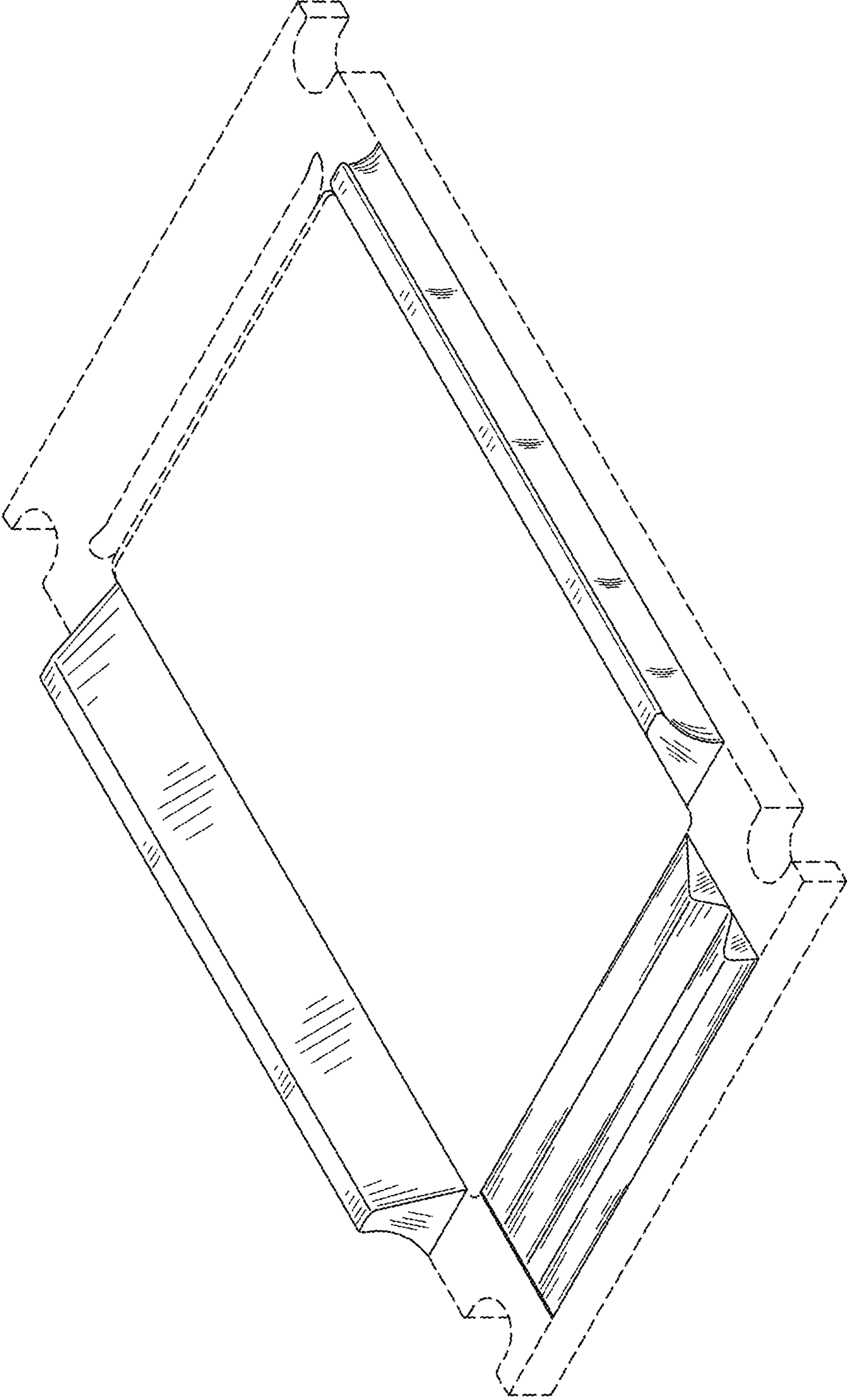


FIG. 1

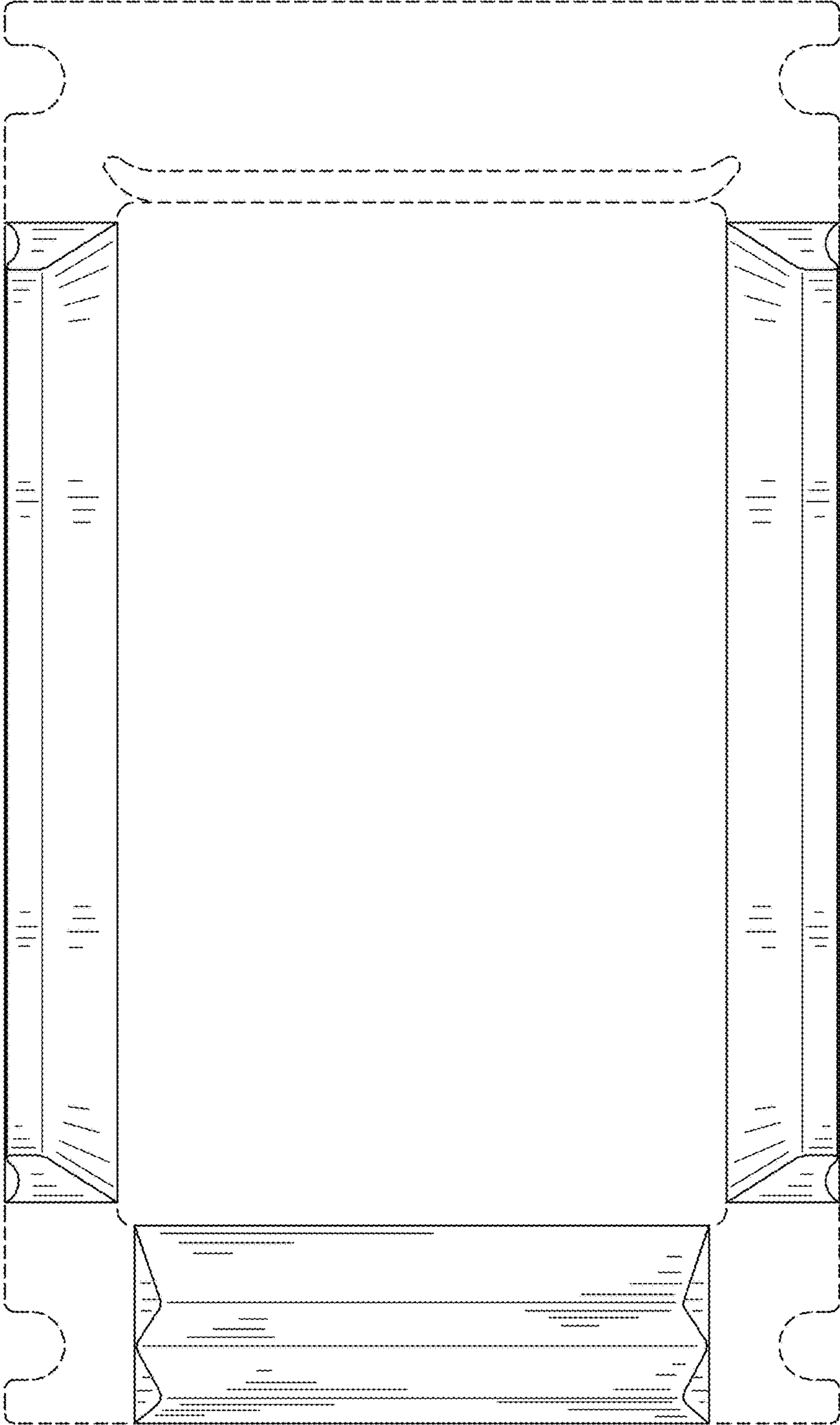


FIG. 2

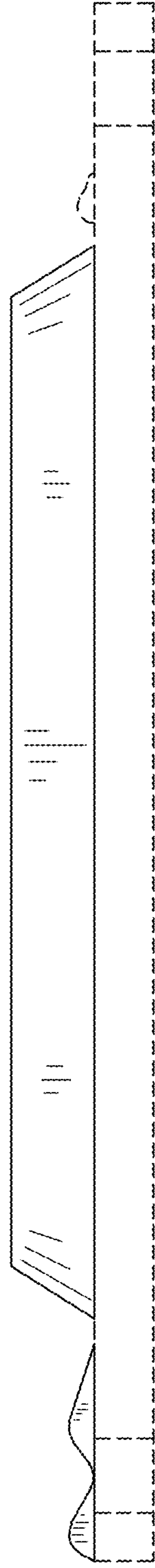


FIG. 3

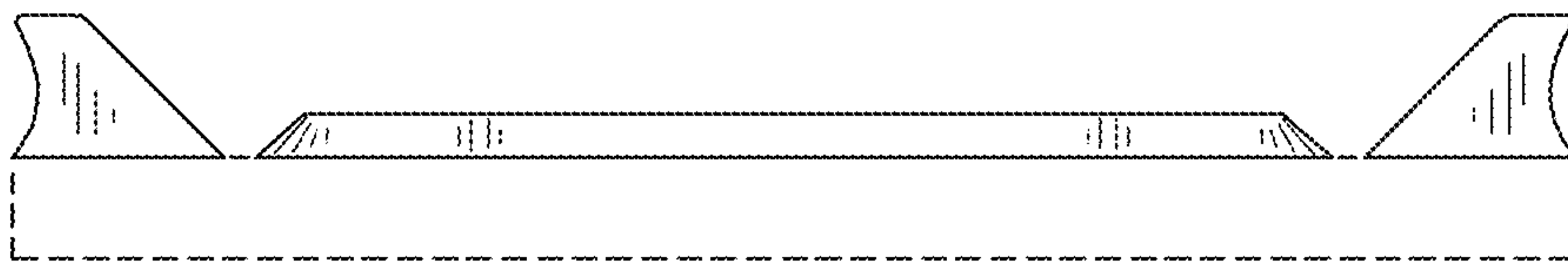


FIG. 4

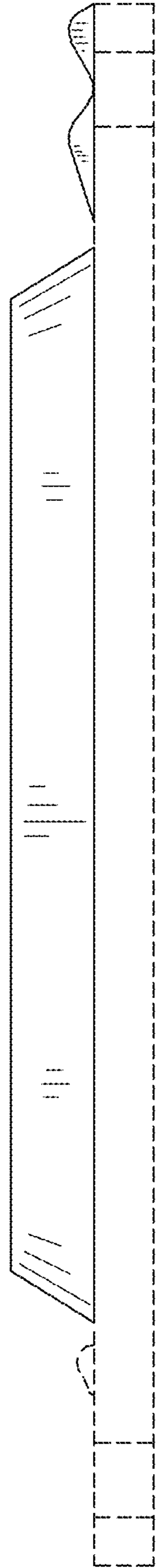


FIG. 5

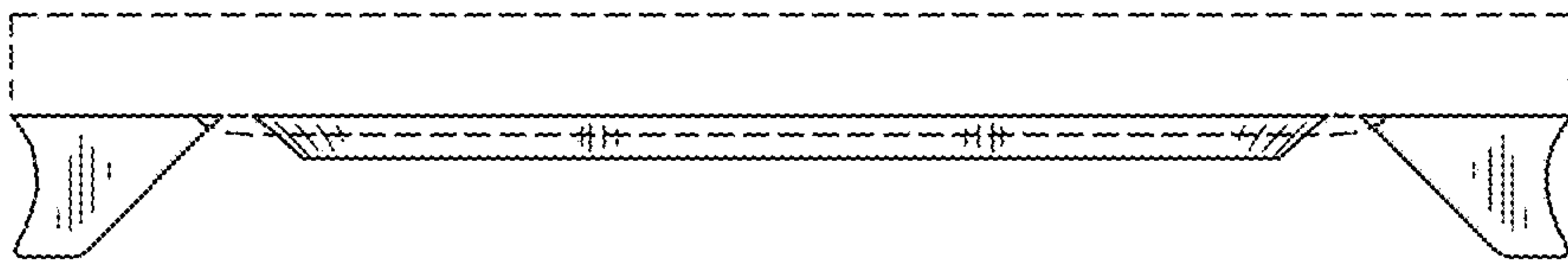


FIG. 6

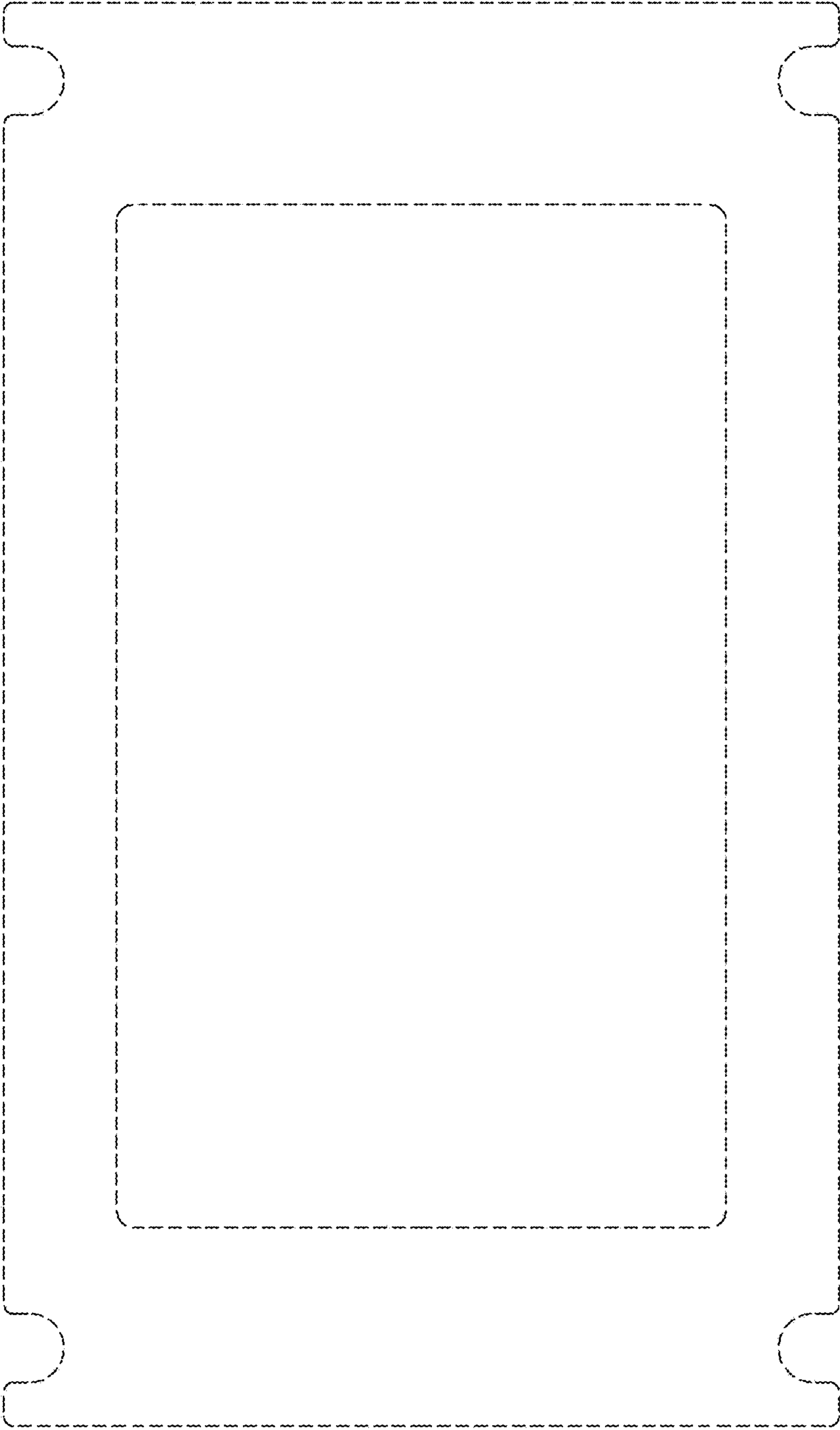


FIG. 7