



US00D822029S

(12) **United States Design Patent**
Crisp et al.

(10) **Patent No.:** **US D822,029 S**

(45) **Date of Patent:** **** Jul. 3, 2018**

(54) **INFORMATION HANDLING SYSTEM BEZEL**

7/00; H05H 7/20; G11B 33/126; G11B 33/128; G11B 33/08; G11B 33/02

(71) Applicant: **Dell Products L.P.**, Round Rock, TX (US)

See application file for complete search history.

(72) Inventors: **Richard A. Crisp**, Austin, TX (US);
Scott C. Lauffer, Austin, TX (US);
Mark Gilson, Austin, TX (US); **Bryan K. Hunter**, Round Rock, TX (US)

(56) **References Cited**

U.S. PATENT DOCUMENTS

(73) Assignee: **Dell Products L.P.**, Round Rock, TX (US)

| | | | | |
|-------------------|---------|-------------|-------|-------------|
| D431,241 S * | 9/2000 | Armstrong | | D14/348 |
| D535,298 S * | 1/2007 | Cochrane | | D14/444 |
| D643,434 S * | 8/2011 | Grady, IV | | D14/442 |
| D663,299 S * | 7/2012 | Corke | | D14/313 |
| D735,186 S * | 7/2015 | Terwilliger | | D14/313 |
| D743,404 S * | 11/2015 | Ignomirello | | H05K 9/0015 |
| | | | | 14/432 |
| 2012/0285738 A1 * | 11/2012 | Cochrane | | H05K 9/0015 |
| | | | | 174/382 |

(**) Term: **15 Years**

* cited by examiner

(21) Appl. No.: **29/599,201**

Primary Examiner — Freda S Nunn

(22) Filed: **Mar. 31, 2017**

(74) *Attorney, Agent, or Firm* — Zagorin Cave LLP;
Robert W. Holland

(51) **LOC (11) Cl.** **14-02**

(52) **U.S. Cl.**
USPC **D14/445**

(57) **CLAIM**

(58) **Field of Classification Search**

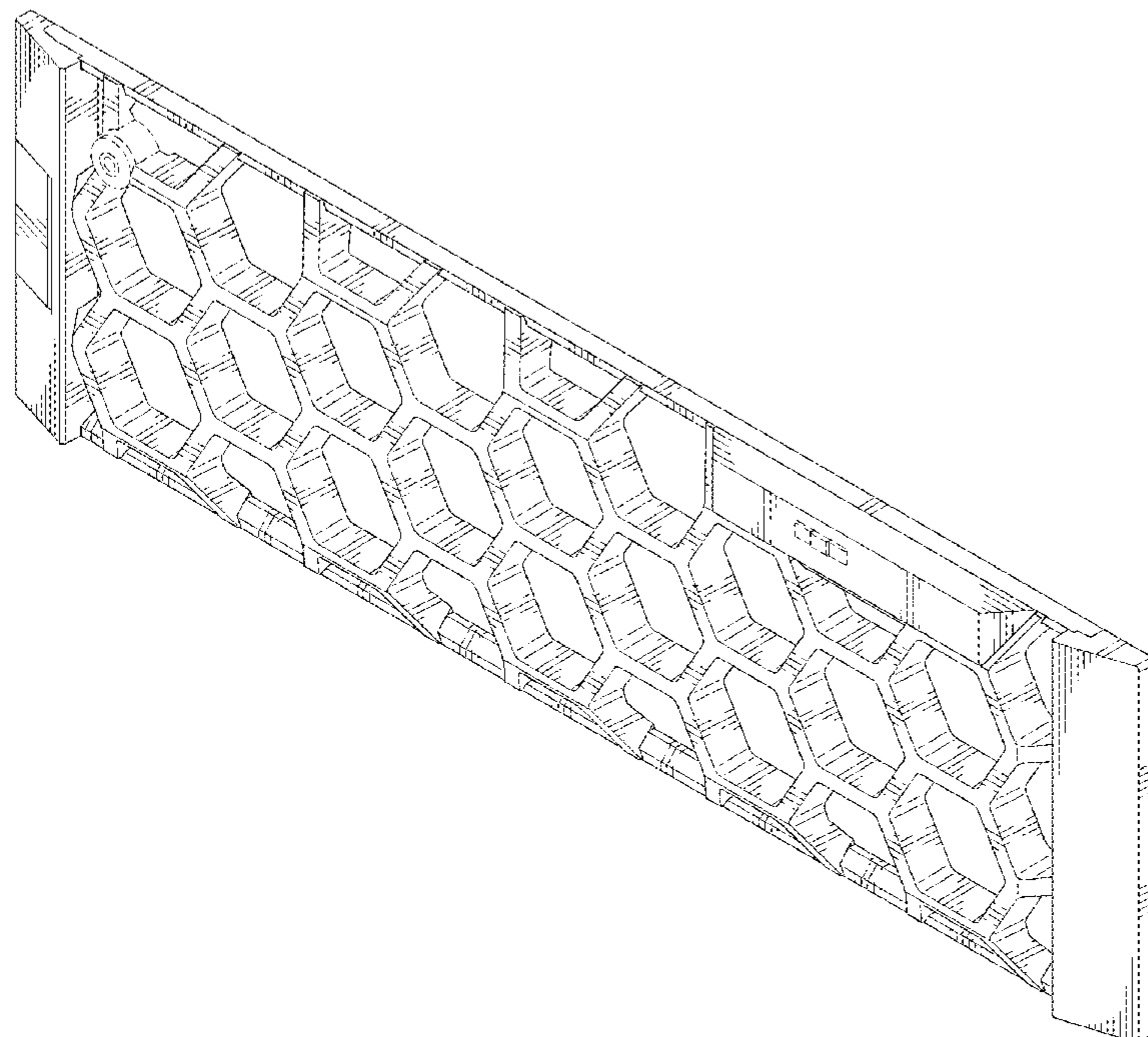
We claim the ornamental design for an information handling system bezel, as shown and described.

USPC D14/240, 300, 301, 308, 313, 314,
D14/348–356, 364–368, 441–446, 188;
D13/123, 158, 162, 184, 199;
312/223.1–223.3, 351.11;
360/99.01–99.12; 369/34.01–36.01;
361/679.31–679.33, 679.37, 679.39,
361/679.46, 679.53, 679.4, 679.41, 727
CPC . G06F 1/20; G06F 1/181; G06F 1/187; G06F
1/183; G06F 1/184; G06F 1/16; H05K
7/16; H05K 7/1424; H05K 7/1409; H05K
7/20; H05K 7/20545; H05K 7/20727;
H05K 7/1425; H05K 7/1488; H05K
7/183; H05K 7/14; H05K 5/00; H05K

DESCRIPTION

FIG. 1 is a front perspective view of the information handling system bezel comprising the present invention;
FIG. 2 is a front elevation view thereof;
FIG. 3 is a rear elevation view thereof;
FIG. 4 is a right side view thereof;
FIG. 5 is a left side view thereof;
FIG. 6 is a top view thereof; and,
FIG. 7 is a bottom view thereof.

1 Claim, 3 Drawing Sheets



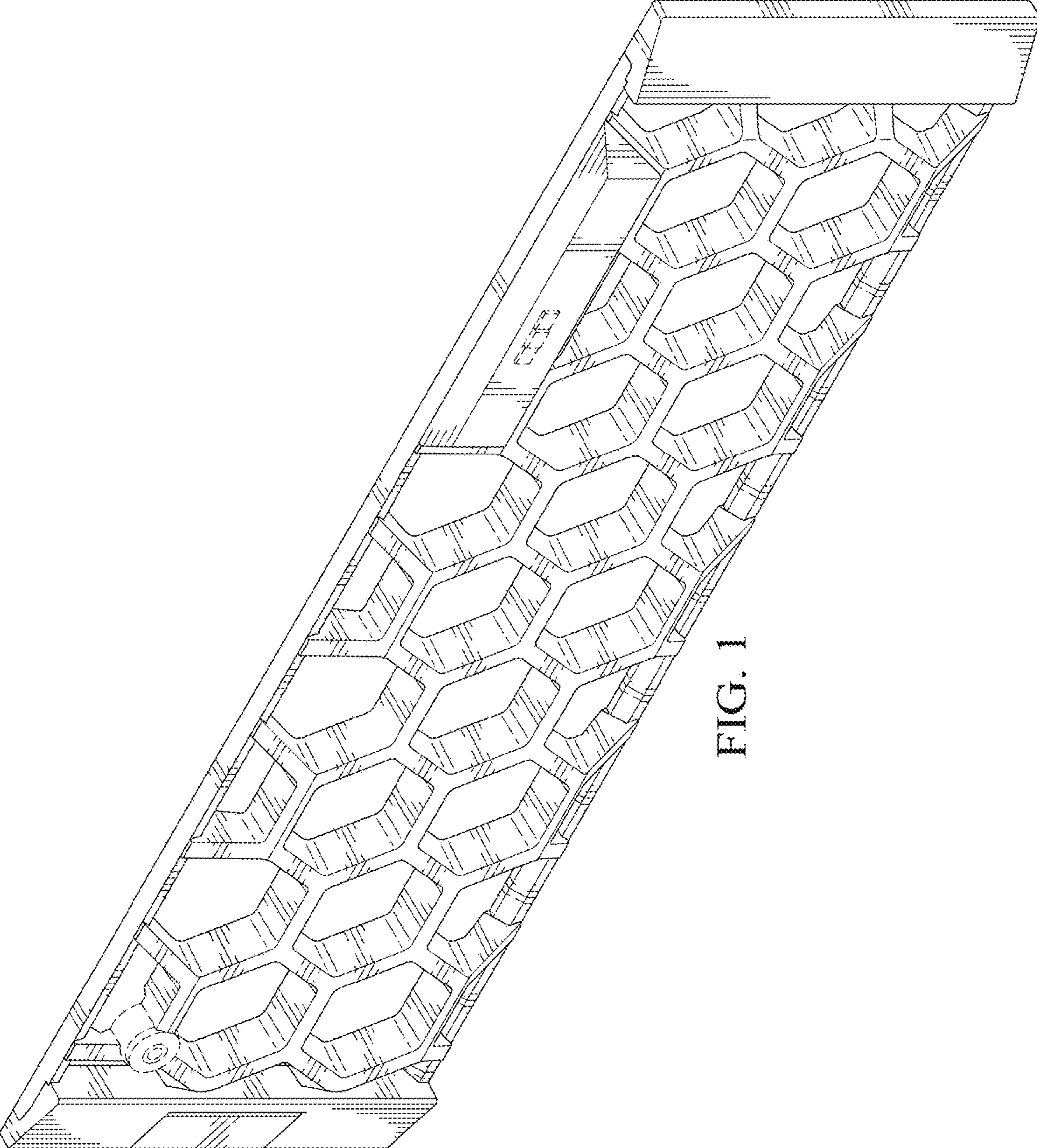


FIG. 1

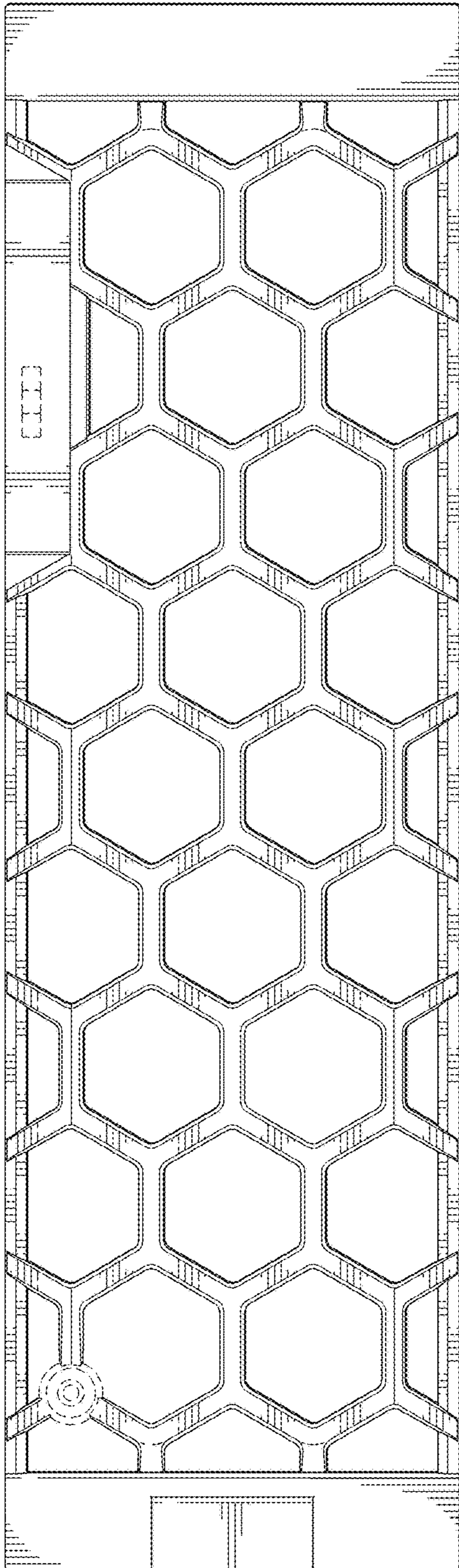
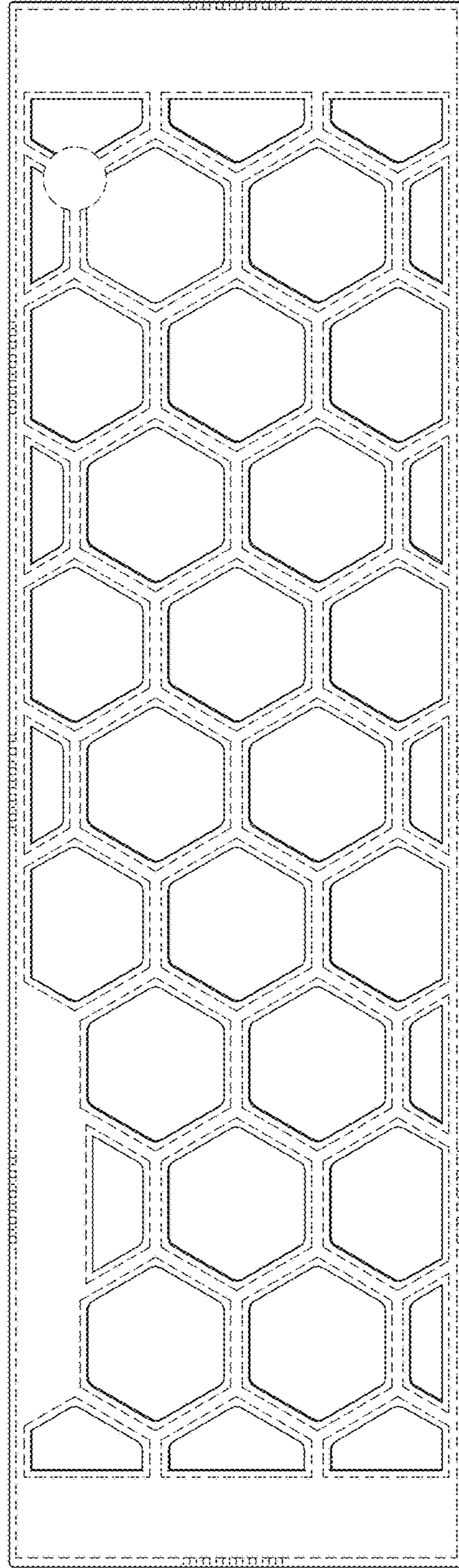


FIG. 2

FIG. 3



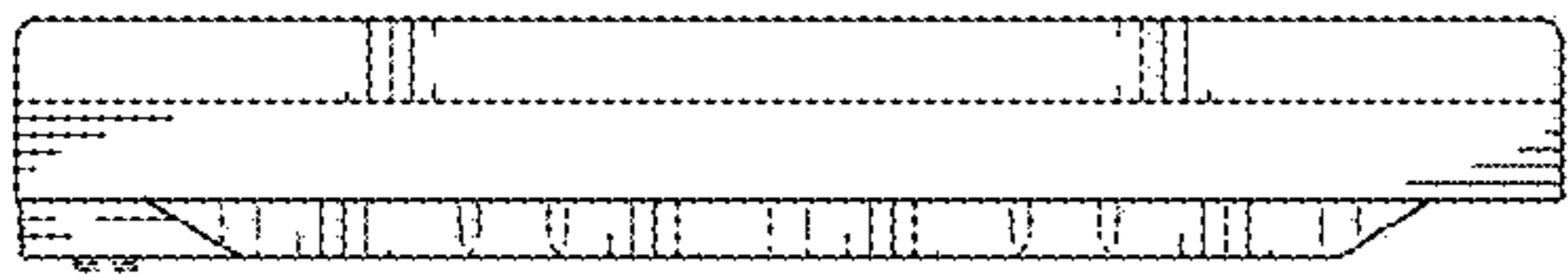


FIG. 4

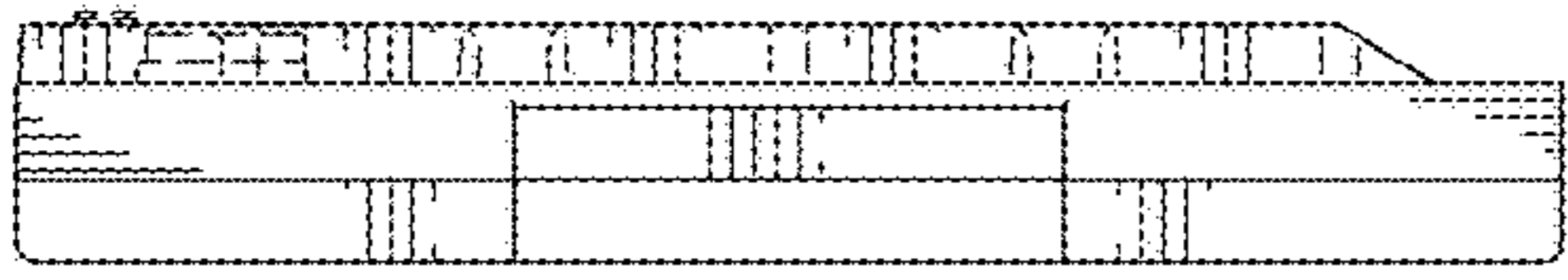


FIG. 5

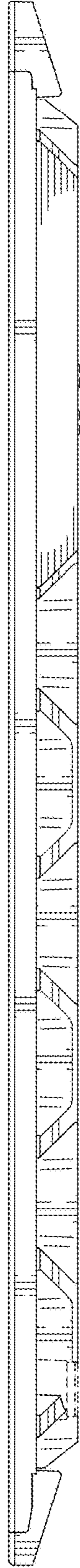


FIG. 6

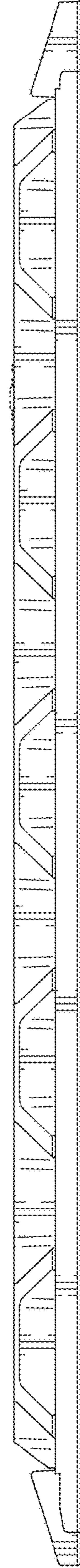


FIG. 7