



US00D822027S

(12) **United States Design Patent**
Jenkins et al.

(10) **Patent No.:** **US D822,027 S**
(45) **Date of Patent:** **** Jul. 3, 2018**

(54) **DATA CAPTURE DEVICE**

(71) Applicant: **SYMBOL TECHNOLOGIES, LLC**,
Lincolnshire, IL (US)
(72) Inventors: **Ian R. Jenkins**, Stony Brook, NY (US);
Edward Anthony Hackett, Surbiton
(GB); **Michael Kaminsky**, Hicksville,
NY (US)
(73) Assignee: **Symbol Technologies, LLC**, Holtsville,
NY (US)

(**) Term: **15 Years**

(21) Appl. No.: **29/623,867**

(22) Filed: **Oct. 27, 2017**

Related U.S. Application Data

(62) Division of application No. 29/558,201, filed on Mar.
15, 2016, now Pat. No. Des. 804,482.

(51) **LOC (11) Cl.** **14-02**

(52) **U.S. Cl.**
USPC **D14/428**

(58) **Field of Classification Search**

USPC D14/420, 426-430, 453, 346, 341, 347,
D14/412, 138; D13/107, 184; 358/473;
235/462.43, 462.45, 462.47, 462.48,
235/462.44, 462.46, 487, 472.01, 472.02,
235/145 A, 145 R; D10/78; 324/426;
D3/273; 710/73; D18/7; 361/679, 728,
361/679.56; 382/313, 321; 455/575.1,
455/561, 572; 345/156, 168, 169, 172,
345/173, 87; 705/17, 18, 22-25
CPC G06F 1/626; G06F 1/1626; G06F 1/1656;
G06F 1/1632; G06F 1/1684; G06F
1/1635; G06F 8/63; G06F 17/30091;
G06F 9/4401; G06K 7/10881; G06K
7/1098; G06K 7/10722; G06K 7/1404;
G06K 7/0004; G06K 7/10633; G06K
7/10851; G06K 7/1091; G06K 7/1092;
G06K 7/1093; G06K 7/10; G06K 7/109;

G06K 7/1417; G06K 9/228; G06K
17/0022; G06K 17/00; G06K 2207/1011;
G06K 2207/1013; G06K 2207/1016;
G06K 2207/1018; G06K 2017/0051;
G06K 2017/0067; G06K 2007/10524;
G07G 1/0081; G07G 1/009; G06Q 20/20;
G06Q 20/201; G06Q 20/202; G06Q
20/203; G06Q 20/30; G06Q 20/32; G06Q
20/322; G06Q 20/4014; G06Q 10/087;
H04N 1/00127; H04N 1/00135; H04N
1/00326; H04N 1/00334; H04N 1/00307;
H04N 1/107; H04N 2201/0084; H04N
2101/00; H04M 1/0249; H04M 1/0262;
H04M 1/0266; H04M 1/18; H04M
(Continued)

(56) **References Cited**

U.S. PATENT DOCUMENTS

5,200,597 A * 4/1993 Eastman G06K 7/10584
235/455
D418,500 S 1/2000 Giordano et al.
(Continued)

Primary Examiner — Susan Moon Lee

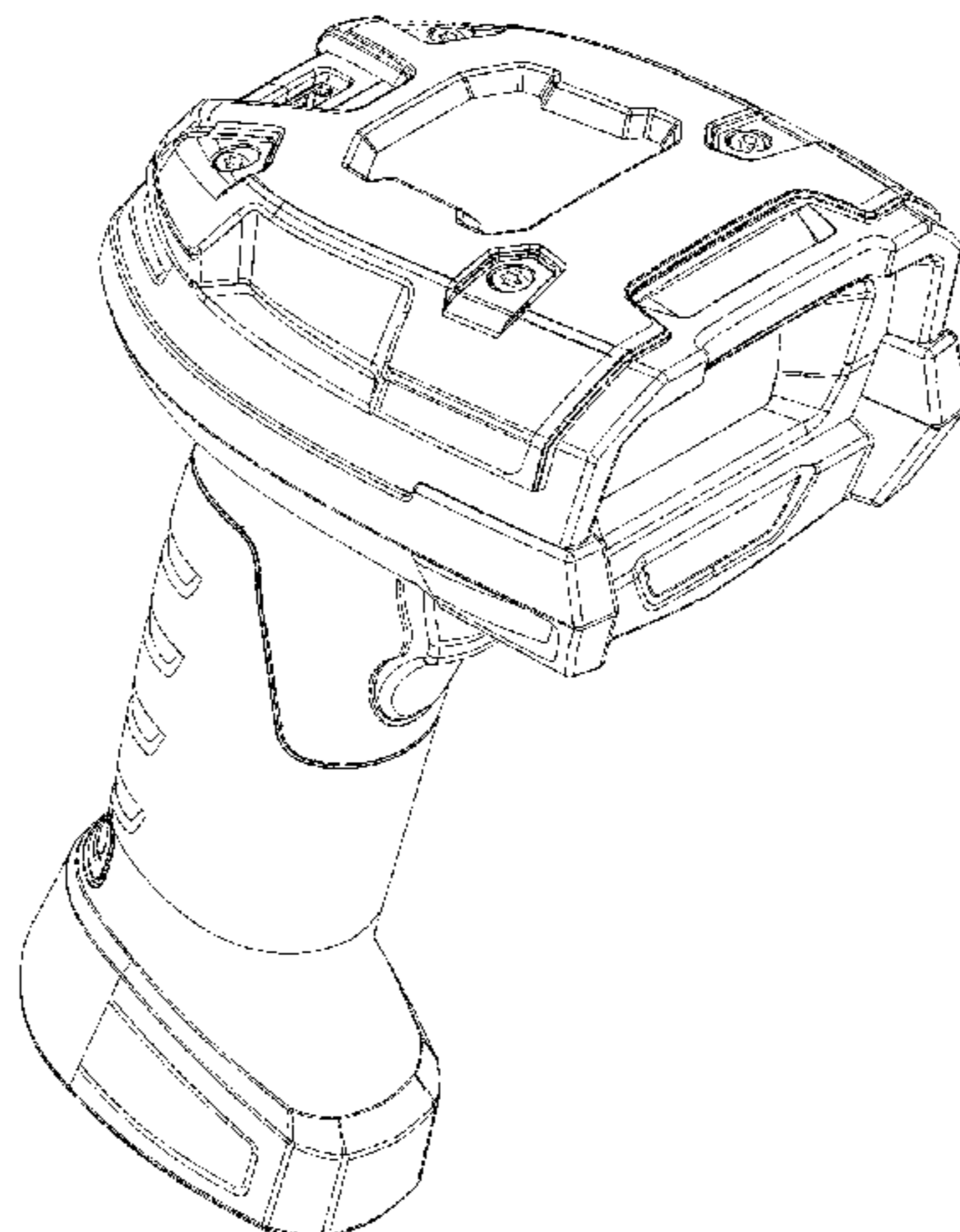
(57) **CLAIM**

We claim the ornamental design for a data capture device, as
shown and described.

DESCRIPTION

FIG. 1 is a perspective view of a data capture device
disclosed herein;
FIG. 2 is another perspective view thereof;
FIG. 3 is a front view thereof;
FIG. 4 is a back view thereof;
FIG. 5 is a first side view thereof;
FIG. 6 is a second side view thereof;
FIG. 7 is a top view thereof; and,
FIG. 8 is a bottom view thereof.

1 Claim, 8 Drawing Sheets



(58) **Field of Classification Search**
 CPC 1/23; H04M 1/236; H04B 1/3827; H04B
 1/3833; H04B 1/3877; H04B 1/3883;
 H04B 1/3888; H04B 2001/3894; H01M
 2/1066

See application file for complete search history.

(56) **References Cited**

U.S. PATENT DOCUMENTS

D446,524 S 8/2001 Bontly et al.
 D461,189 S 8/2002 Bontly et al.
 D470,145 S 2/2003 Schlieffers et al.
 6,778,087 B2 8/2004 Belka et al.
 D518,057 S 3/2006 Johnson et al.
 D574,832 S 8/2008 MacGregor et al.
 7,461,790 B2 12/2008 McQueen et al.
 D588,596 S 3/2009 Mazzone et al.
 7,562,824 B2* 7/2009 Bhatia G06K 7/10881
 235/462.01
 D599,799 S 9/2009 Di Bari et al.
 D606,076 S 12/2009 Di Bari et al.
 7,823,789 B2* 11/2010 Nunnink G06K 7/10732
 235/462.25
 8,016,200 B2* 9/2011 Gong G06K 7/10881
 235/462.47
 8,028,913 B2 10/2011 Liu et al.
 D677,258 S* 3/2013 Mistkawi D14/426
 D682,277 S 5/2013 Tasselli et al.
 D702,238 S 4/2014 Alegiani et al.
 8,727,223 B2* 5/2014 Wang G06K 7/10722
 235/462.11
 8,835,825 B2* 9/2014 Barkan G06K 7/10722
 235/472.01
 8,840,027 B2* 9/2014 Chaumont G06K 7/10594
 235/462.2
 D723,563 S 3/2015 Alegiani
 D726,186 S 4/2015 Jenkins et al.
 D730,357 S 5/2015 Fitch et al.
 D737,823 S* 9/2015 Partridge D14/428
 9,224,551 B2* 12/2015 Rueblinger G06K 7/10881
 9,367,723 B1 6/2016 Drzymala et al.
 D776,887 S* 1/2017 Deffrennes D32/17
 9,536,124 B1 1/2017 Nunnink et al.
 D786,873 S 5/2017 Yamamoto et al.
 9,747,484 B1* 8/2017 Drzymala G06K 7/10752
 9,754,146 B2* 9/2017 Izaki G06K 7/10831
 9,785,813 B2* 10/2017 Izaki G06K 7/10881
 9,811,705 B1* 11/2017 Suman G06K 7/10881
 D804,482 S 12/2017 Jenkins et al.
 9,904,833 B2* 2/2018 Negro G06K 7/1447
 2003/0133092 A1* 7/2003 Rogers F41G 3/145
 356/4.01

2003/0209605 A1 11/2003 Walczyk et al.
 2004/0134990 A1 7/2004 Fitch et al.
 2005/0001035 A1* 1/2005 Hawley G06K 7/10851
 235/462.21
 2006/0138232 A1* 6/2006 Hammerslag G06K 7/0004
 235/440
 2006/0289654 A1 12/2006 Robinson et al.
 2007/0090193 A1 4/2007 Nunnink et al.
 2007/0091332 A1 4/2007 Nunnink
 2008/0142604 A1 6/2008 Nunnink
 2008/0217411 A1 9/2008 Ledwith et al.
 2009/0218403 A1 9/2009 Joseph et al.
 2009/0294541 A1 12/2009 Nunnink
 2010/0090007 A1 4/2010 Wang et al.
 2010/0276493 A1 11/2010 Havens et al.
 2010/0308116 A1* 12/2010 Sani A45C 11/00
 235/472.01
 2011/0069877 A1 3/2011 Vincenzi
 2011/0073658 A1 3/2011 Vassura et al.
 2011/0080263 A1* 4/2011 Theile G06F 13/385
 340/10.1
 2011/0290889 A1 12/2011 Tamburrini et al.
 2012/0054048 A1* 3/2012 Richardson G06K 7/10861
 705/20
 2012/0193431 A1 8/2012 Hawley et al.
 2012/0224040 A1* 9/2012 Wang G06K 7/10881
 348/77
 2013/0001290 A1* 1/2013 Trajkovic G07G 1/0063
 235/375
 2013/0112752 A1 5/2013 Negro et al.
 2013/0256405 A1 10/2013 Montout
 2013/0292478 A1 11/2013 Wang et al.
 2014/0021259 A1 1/2014 Moed et al.
 2014/0049120 A1* 2/2014 Kohtz H03K 17/94
 307/117
 2014/0197239 A1* 7/2014 Havens G06K 7/10623
 235/462.38
 2014/0246496 A1* 9/2014 Brock G06K 7/10722
 235/472.01
 2015/0102109 A1 4/2015 Huck
 2016/0042241 A1* 2/2016 Todeschini G06K 9/228
 345/179
 2016/0094070 A1 3/2016 Mazzone
 2016/0321484 A1* 11/2016 Yamamoto G06K 7/10732
 2016/0350563 A1* 12/2016 Ye G06K 7/109
 2017/0140187 A1* 5/2017 Izaki G06K 7/10742
 2017/0140188 A1* 5/2017 Izaki G06K 7/10742
 2017/0147843 A1* 5/2017 Todeschini G06K 7/10564
 2017/0147846 A1* 5/2017 Mao G06K 7/10881
 2017/0206443 A1* 7/2017 Arias Navarro ... G06K 19/0614
 2017/0318206 A1* 11/2017 Handshaw G01C 3/00
 2017/0330008 A1* 11/2017 Suman G06K 7/10881

* cited by examiner

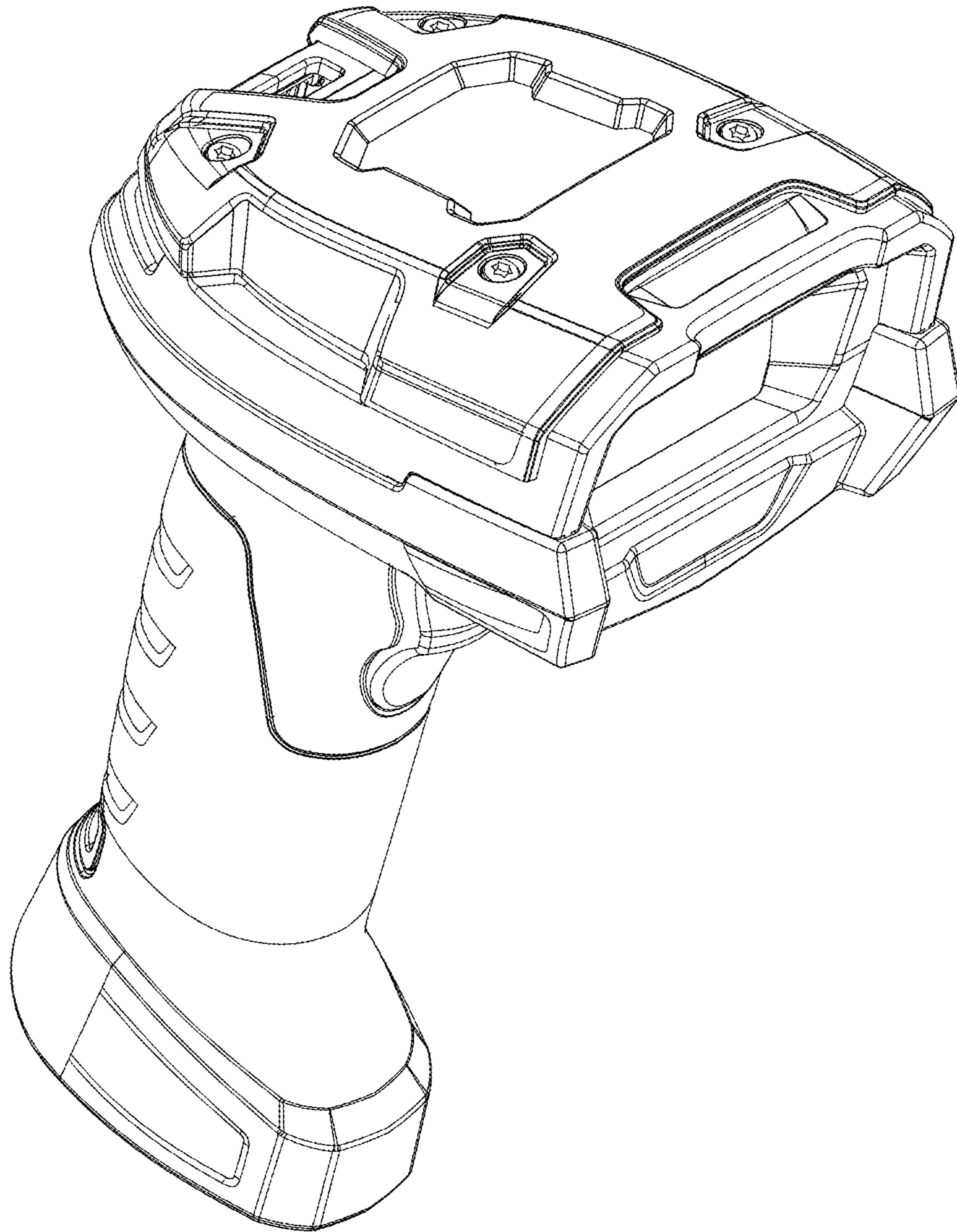


FIG. 1

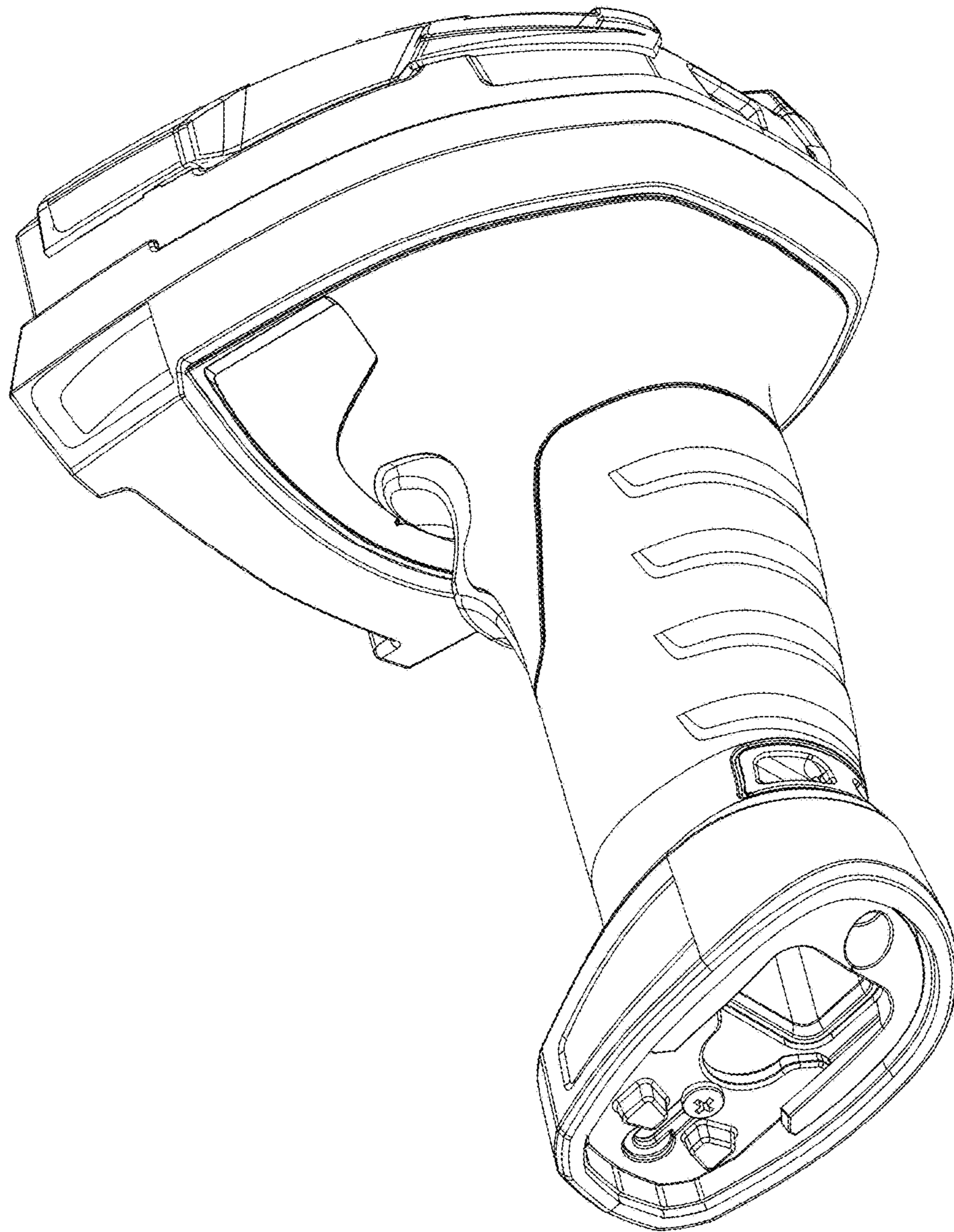


FIG. 2

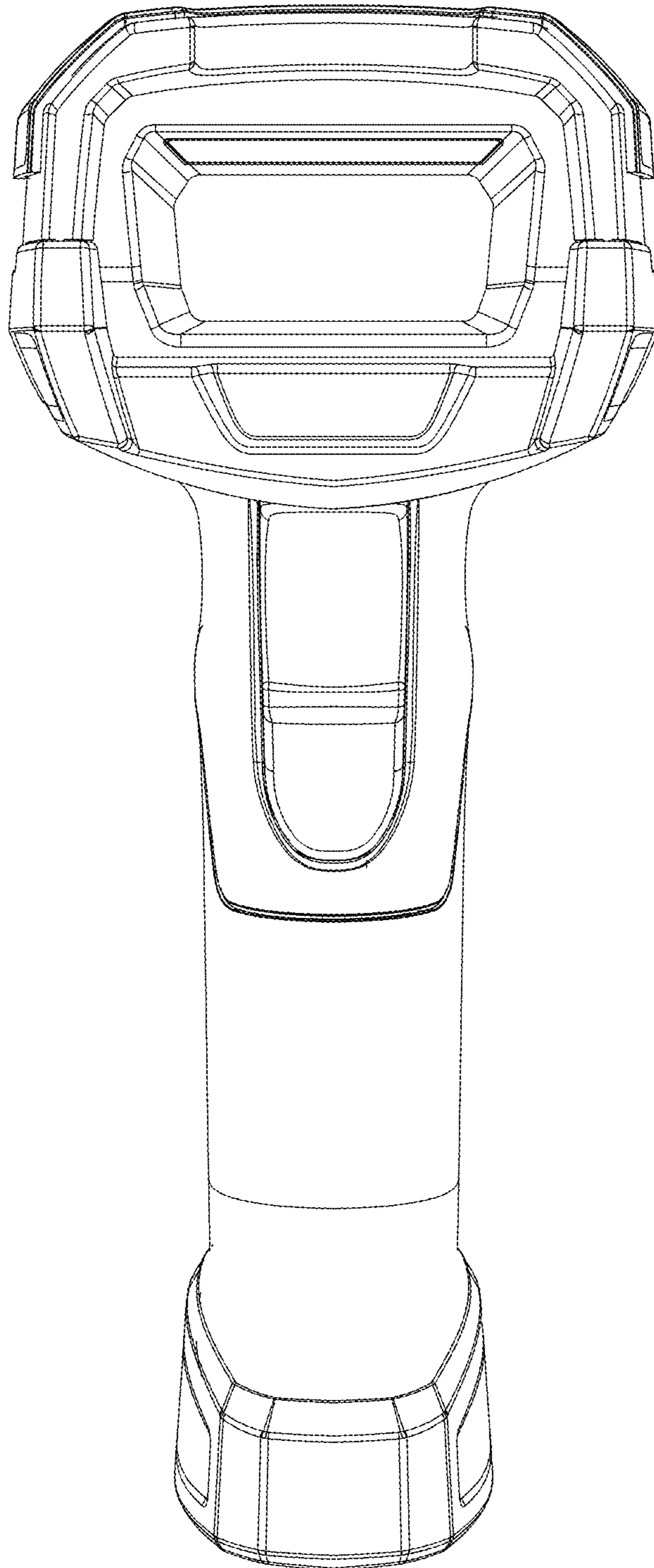


FIG. 3

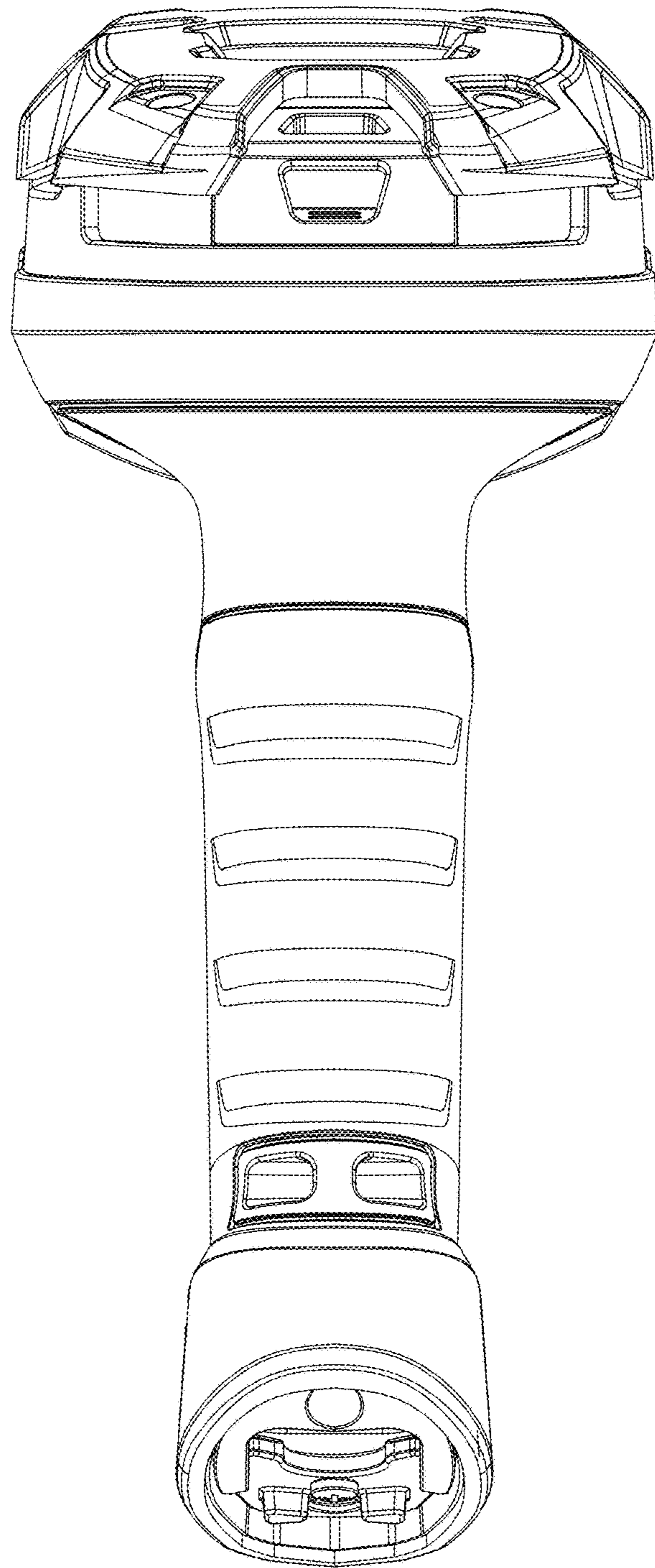


FIG. 4

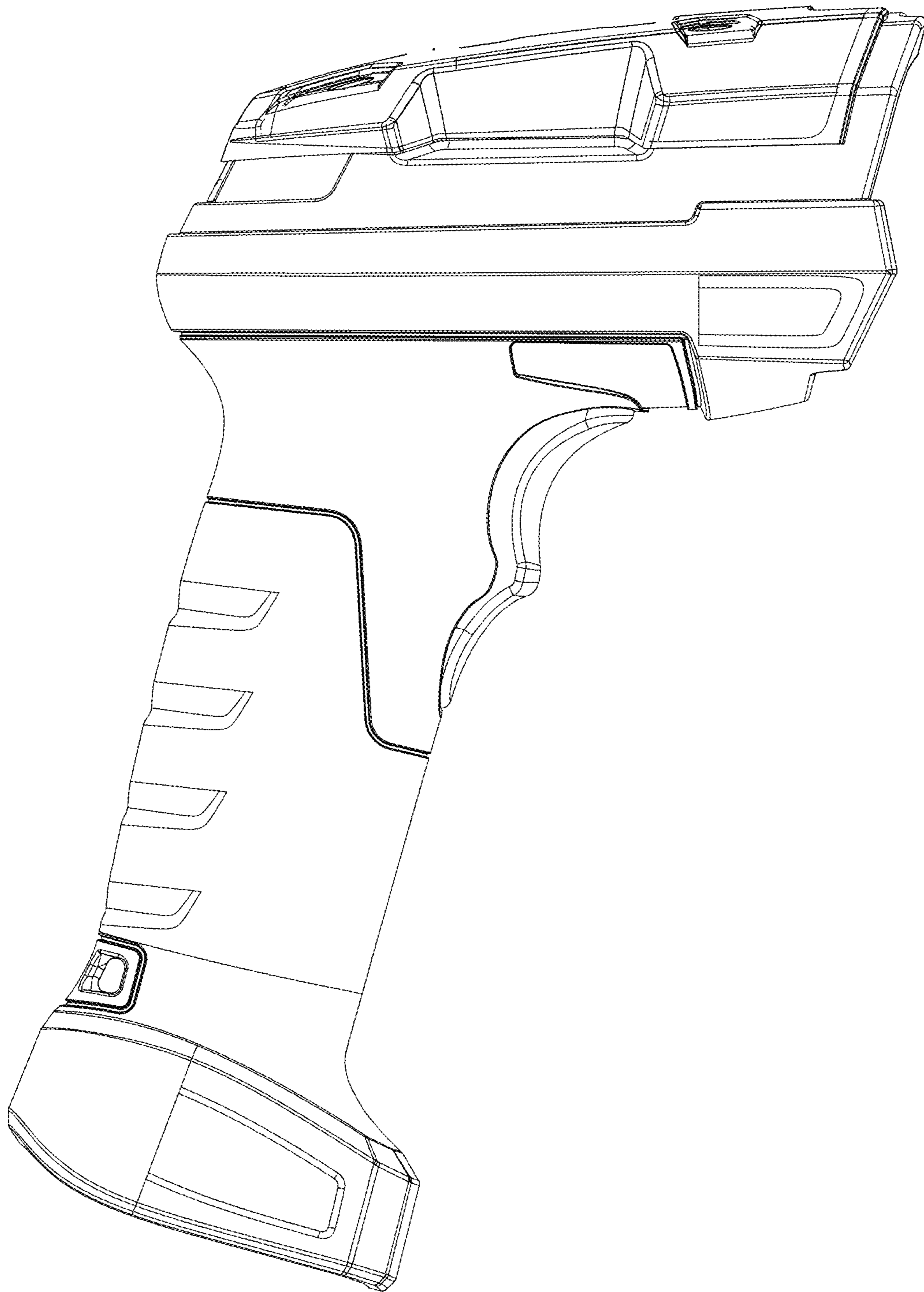


FIG. 5

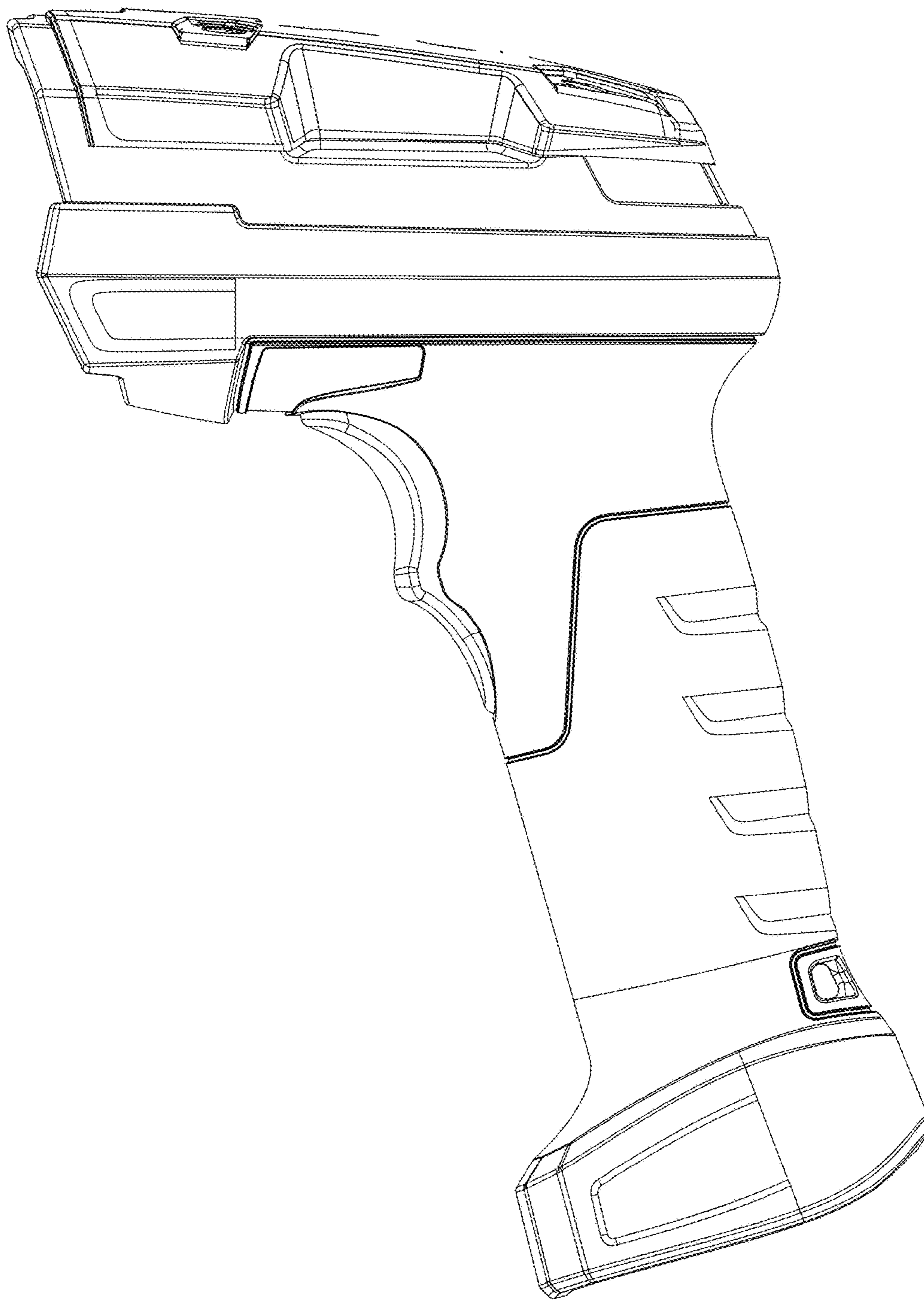


FIG. 6

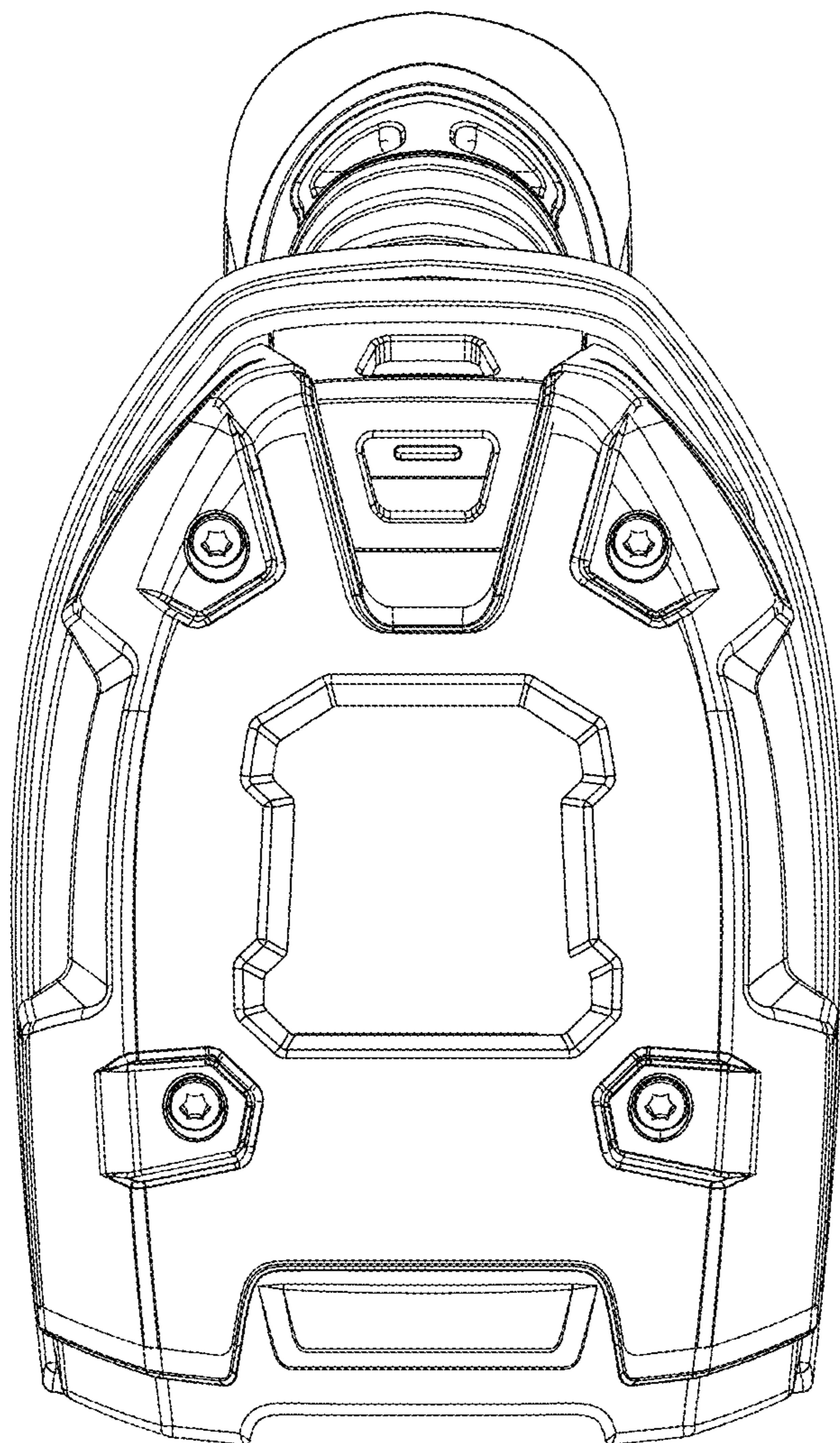


FIG. 7

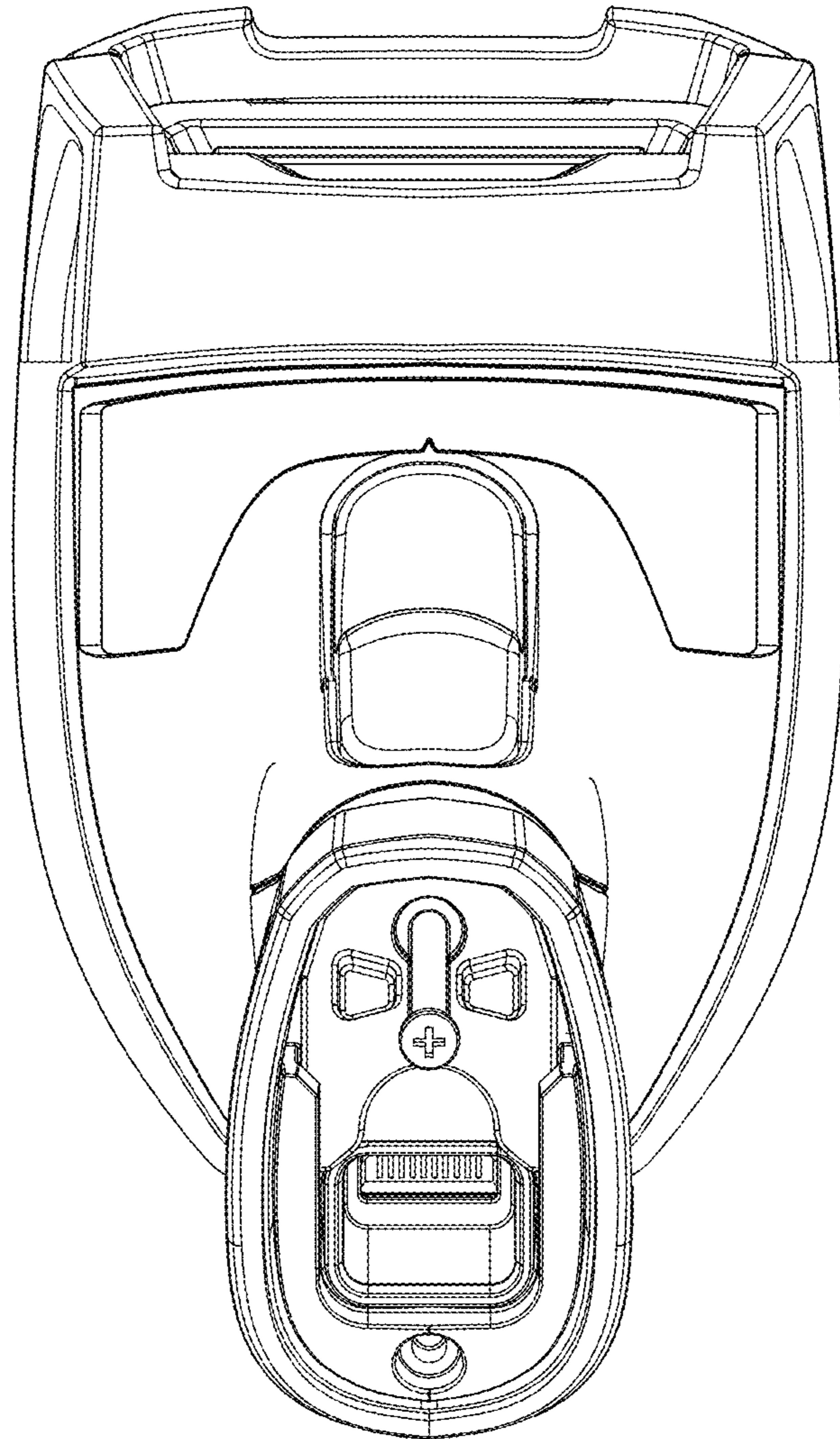


FIG. 8