



US00D822022S

(12) **United States Design Patent**  
**Huff**

(10) **Patent No.:** **US D822,022 S**

(45) **Date of Patent:** **\*\* Jul. 3, 2018**

(54) **ACCESS CONTROL DEVICE**

(71) Applicant: **Ronald James Huff**, Frisco, TX (US)

(72) Inventor: **Ronald James Huff**, Frisco, TX (US)

(73) Assignee: **SAFEPASS, INC.**, Frisco, TX (US)

(\*\*) Term: **15 Years**

(21) Appl. No.: **29/608,448**

(22) Filed: **Jun. 21, 2017**

(51) **LOC (11) Cl.** ..... **14-02**

(52) **U.S. Cl.**  
USPC ..... **D14/385**

(58) **Field of Classification Search**  
USPC ..... D14/356-358, 383-385, 420, 426, 427,  
D14/432-439, 447, 453, 454, 217, 253,  
D14/299, 307; D13/107, 108, 133, 146,  
D13/147, 152, 154, 156, 158, 162, 162.1,  
D13/168, 173, 177, 102; 235/441, 451,  
235/492, 380, 439, 375; 361/679.31, 600,  
361/679.01, 679.02

CPC ..... G07C 9/00103; G07C 9/00039; G07C  
9/00904; G06K 5/00; G06K 7/01  
See application file for complete search history.

(56) **References Cited**

**U.S. PATENT DOCUMENTS**

D368,255 S \* 3/1996 Sasaki ..... D14/420  
D456,364 S \* 4/2002 Suen ..... D13/162  
D456,365 S \* 4/2002 Suen ..... D13/164

D457,144 S \* 5/2002 Suen ..... D13/162  
D466,089 S \* 11/2002 Suen ..... D13/162  
D483,371 S \* 12/2003 Johnston ..... D14/385  
D504,429 S \* 4/2005 Muto ..... D14/385  
D535,994 S \* 1/2007 Leibenguth ..... D14/385  
D576,164 S \* 9/2008 Takahashi ..... D14/385  
D580,438 S \* 11/2008 Kuchler ..... D14/385  
D624,915 S \* 10/2010 Ferreira Sanchez ..... D14/385  
D659,138 S \* 5/2012 Hsu ..... D14/385  
D681,036 S \* 4/2013 Taunay da Graca  
Couto ..... D14/385  
D723,031 S \* 2/2015 Rawal ..... D14/385  
D736,207 S \* 8/2015 Bousfield ..... D14/385  
9,747,738 B1 \* 8/2017 Wendling ..... G07C 9/00309

\* cited by examiner

*Primary Examiner* — Austin Murphy

(74) *Attorney, Agent, or Firm* — Karen B. Tripp

(57) **CLAIM**

The ornamental design for an access control device, as shown.

**DESCRIPTION**

FIG. 1 is a perspective view of an access control device, showing my new design.

FIG. 2 is a top view of the device of FIG. 1.

FIG. 3 is a bottom view of the device of FIG. 1.

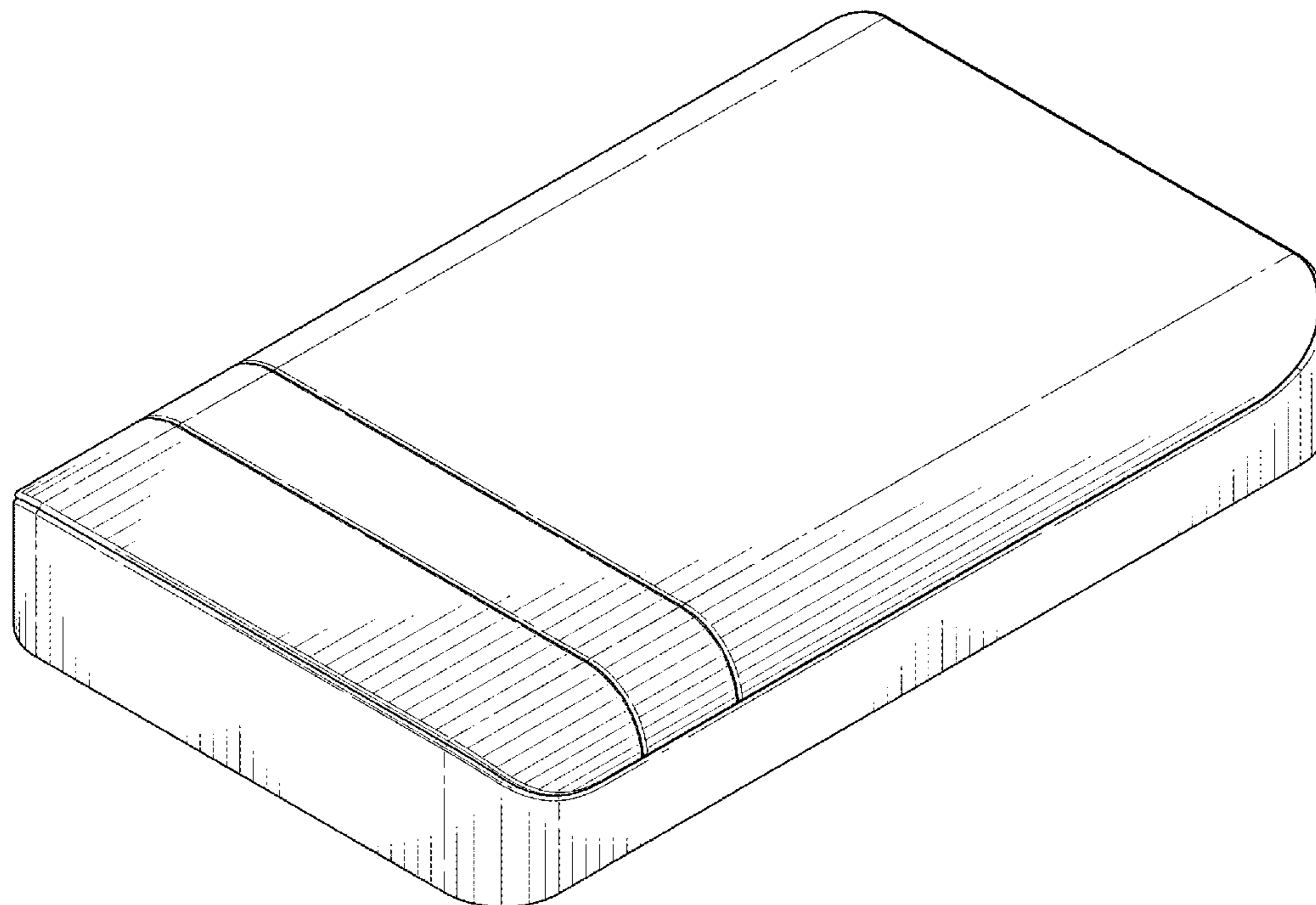
FIG. 4 is a left side view of the device of FIG. 1.

FIG. 5 is a right side view of the device of FIG. 1.

FIG. 6 is a front view view of the device of FIG. 1; and,

FIG. 7 is a back view view of the device of FIG. 1.

**1 Claim, 5 Drawing Sheets**



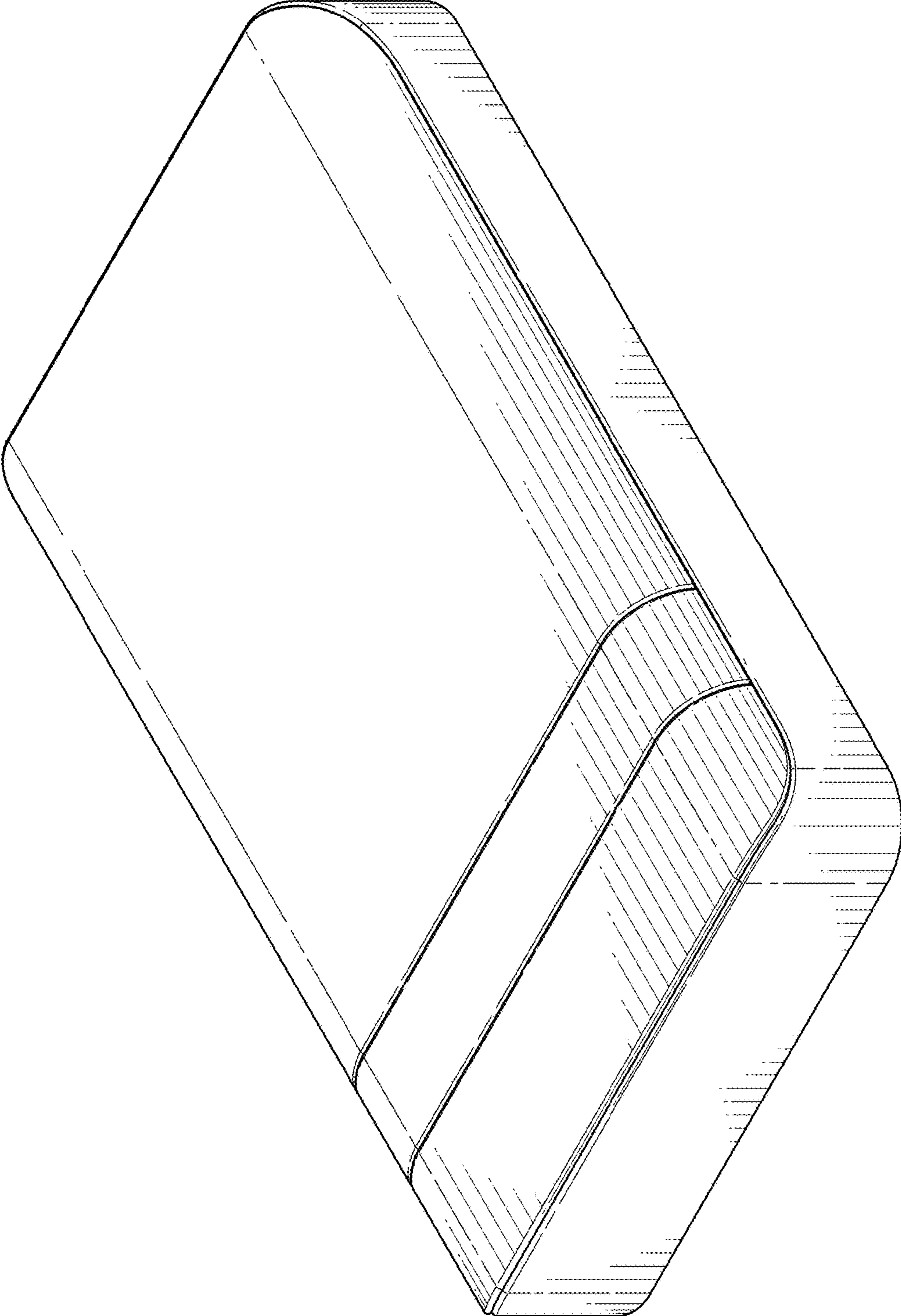


FIG. 1

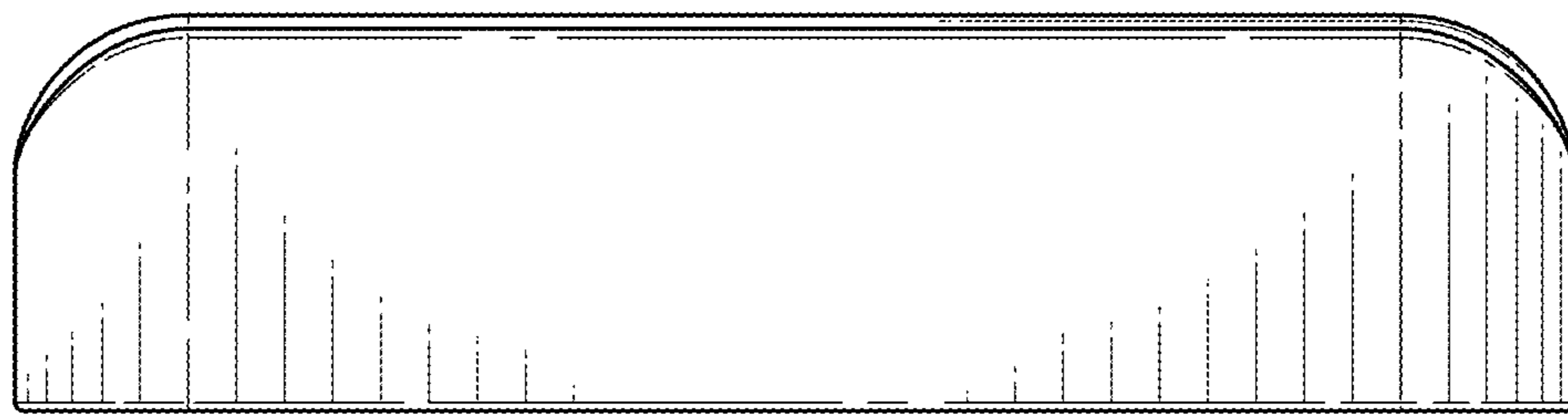


FIG. 2

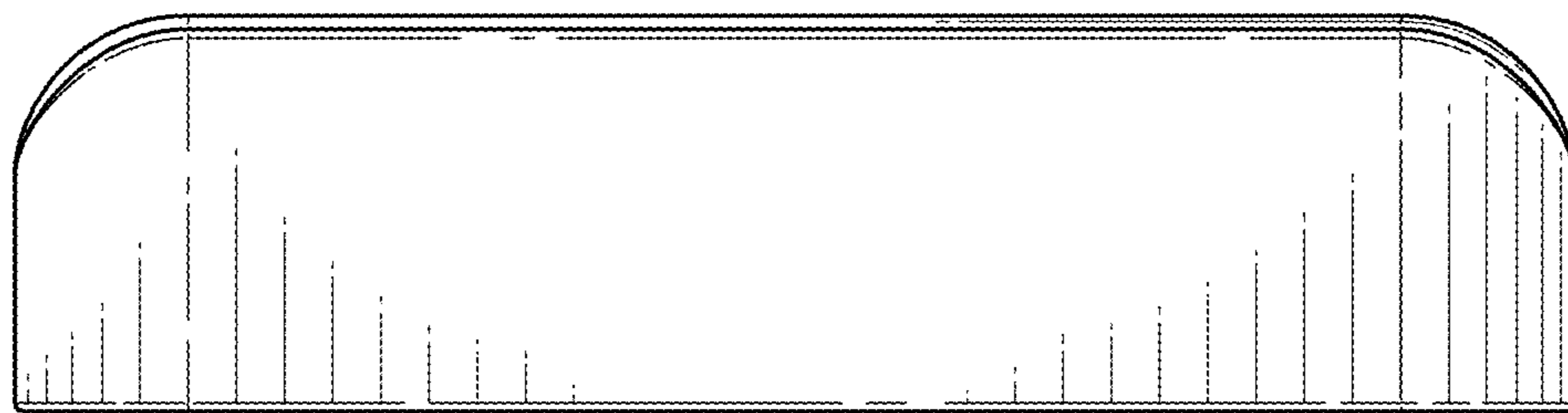


FIG. 3

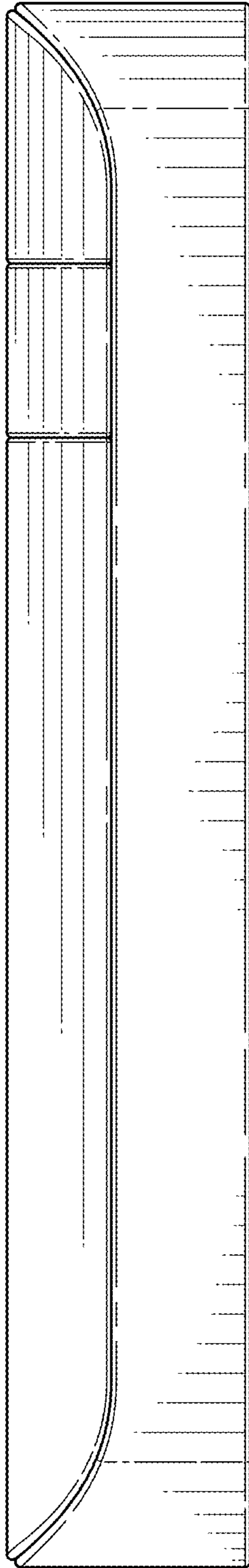


FIG. 4

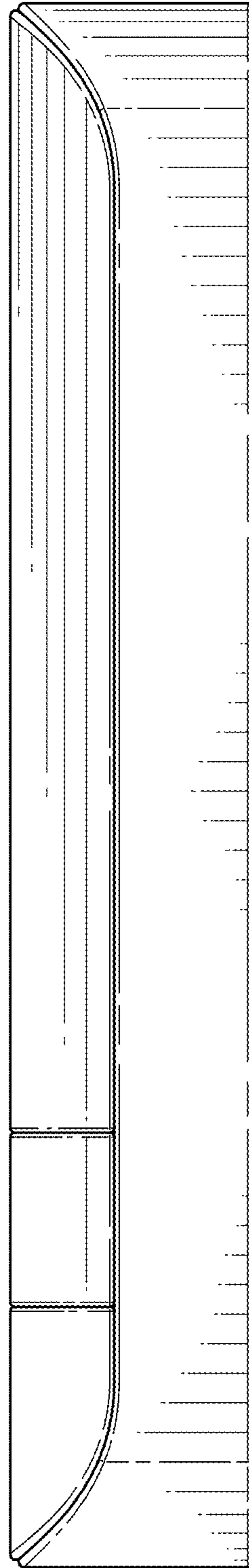


FIG. 5

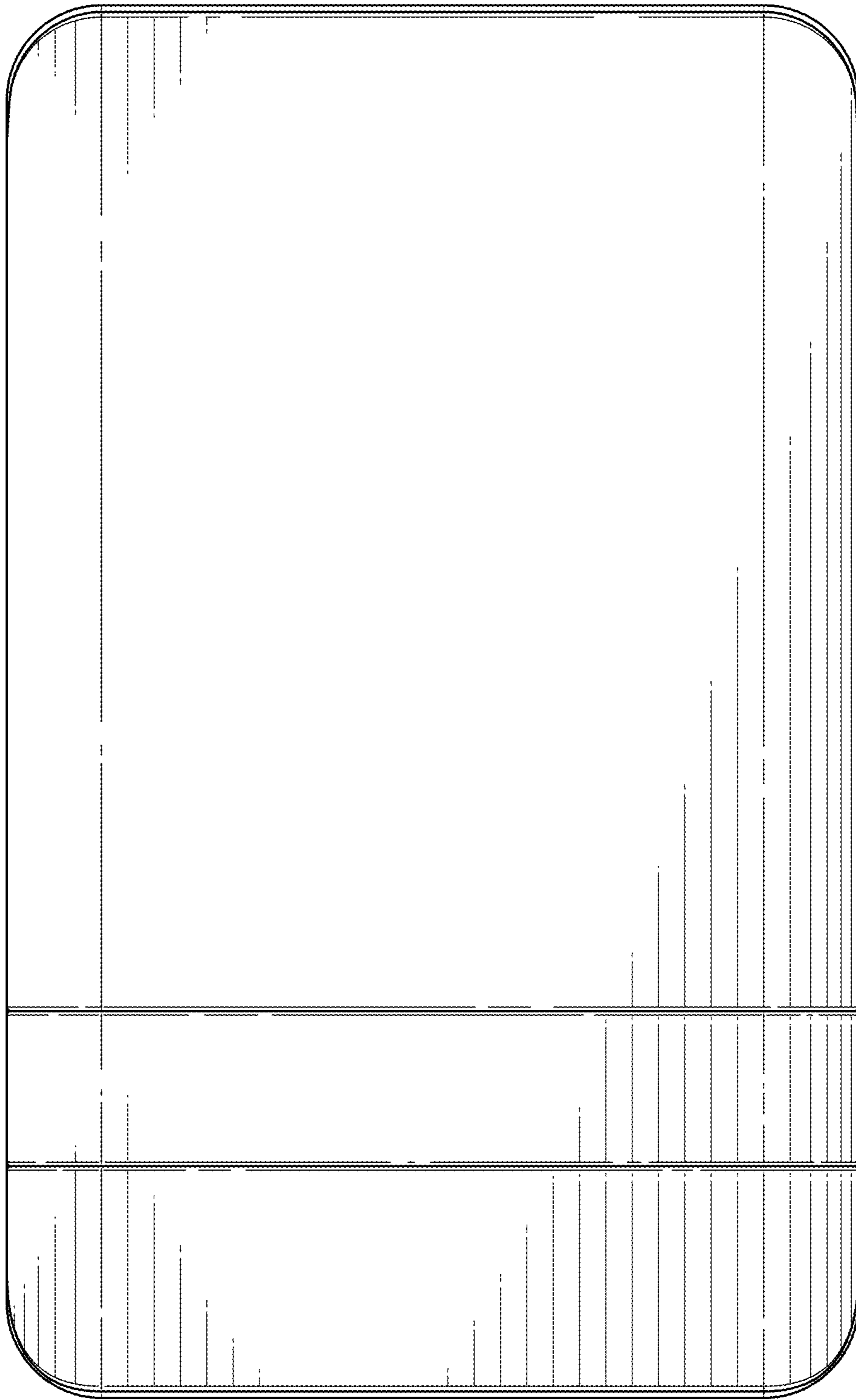


FIG. 6

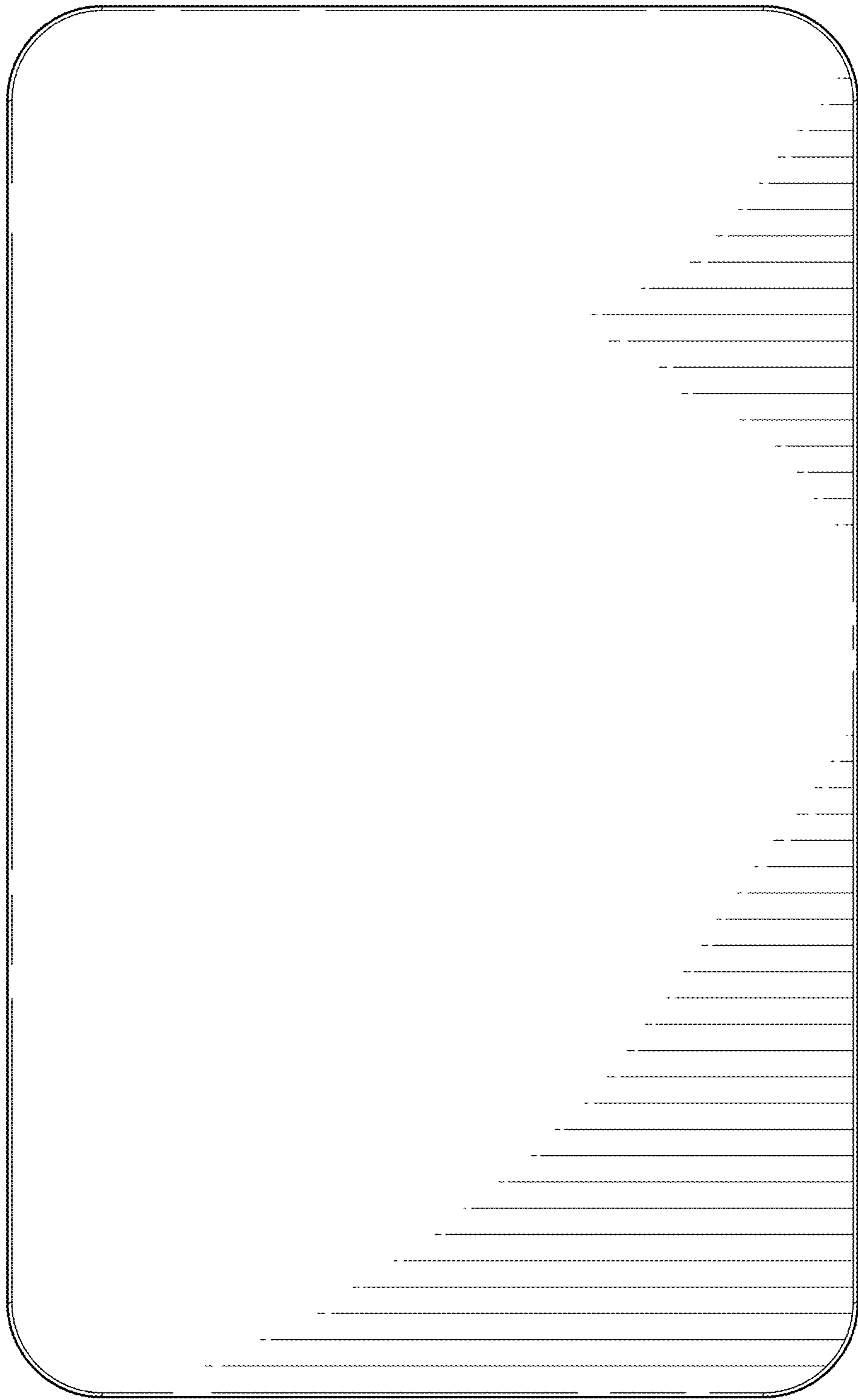


FIG. 7