

US00D822021S

(12) **United States Design Patent** (10) **Patent No.:** **US D822,021 S**
Huff (45) **Date of Patent:** **** Jul. 3, 2018**

(54) **IDENTIFICATION CARD SCANNER**

(71) Applicant: **Ronald James Huff**, Frisco, TX (US)

(72) Inventor: **Ronald James Huff**, Frisco, TX (US)

(73) Assignee: **SAFEPASS, INC.**, Frisco, TX (US)

(**) Term: **15 Years**

(21) Appl. No.: **29/608,447**

(22) Filed: **Jun. 21, 2017**

(51) **LOC (11) Cl.** **14-02**

(52) **U.S. Cl.**
USPC **D14/385**

(58) **Field of Classification Search**
USPC D14/356-358, 383-385, 420, 426, 427,
D14/432-439, 447, 453, 454, 217, 253,
D14/299; D13/107, 108, 133, 146, 147,
D13/152, 154, 156, 158, 162, 162.1, 168,
D13/173, 177, 102; 235/441, 451, 492,
235/380, 439, 375; 361/679.31, 600,
361/679.01, 679.02
CPC G06Q 20/347; G06Q 20/322; G06Q 40/02;
G06Q 30/06; G07F 7/0886
See application file for complete search history.

(56) **References Cited**

U.S. PATENT DOCUMENTS

D268,029 S * 2/1983 Fisher D14/385
D312,247 S * 11/1990 Simoneaux D14/385
D351,152 S * 10/1994 Liu D14/385
D368,255 S * 3/1996 Sasaki D14/420

D483,371 S * 12/2003 Johnston D14/385
D504,429 S * 4/2005 Muto D14/385
D578,121 S * 10/2008 Goto D14/385
D590,828 S * 4/2009 Sherrod D14/385
D607,000 S * 12/2009 Cheng D14/385
8,274,713 B2 * 9/2012 Hatzav H04N 1/00997
235/439
D675,617 S * 2/2013 Daniel D14/385
D723,031 S * 2/2015 Rawal D14/385
D736,207 S * 8/2015 Bousfield D14/385
D743,395 S * 11/2015 Chen D14/385
D764,468 S * 8/2016 Yamamiya D14/385

* cited by examiner

Primary Examiner — Austin Murphy

(74) *Attorney, Agent, or Firm* — Karen B. Tripp

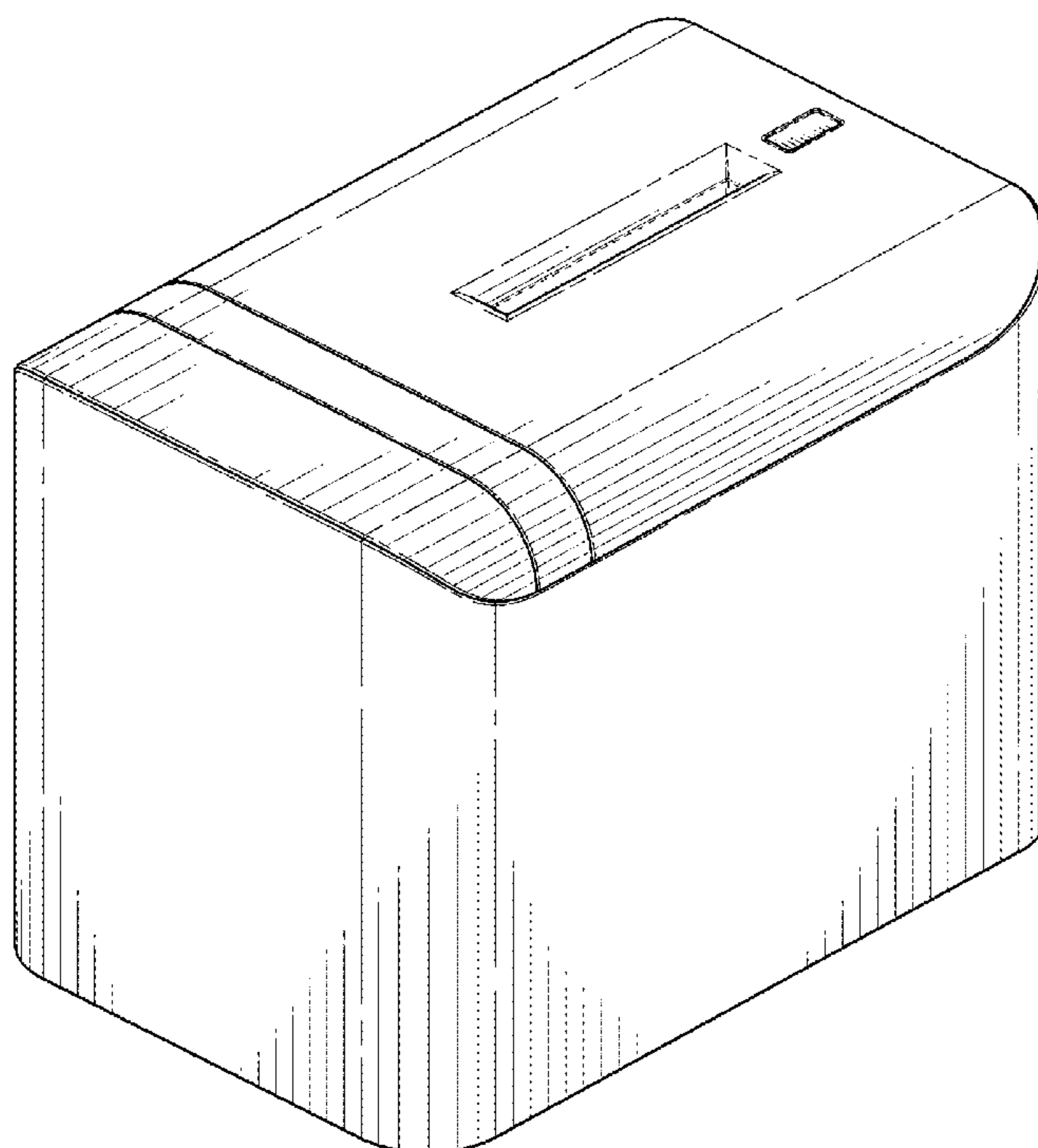
(57) **CLAIM**

The ornamental design for an identification card scanner, as shown.

DESCRIPTION

FIG. 1 is a perspective view of a identification card scanner, showing my new design.
FIG. 2 is a top view of the scanner of FIG. 1.
FIG. 3 is a bottom view of the scanner of FIG. 1.
FIG. 4 is a left side view of the scanner of FIG. 1.
FIG. 5 is a right side view of the scanner of FIG. 1.
FIG. 6 is a front view view of the scanner of FIG. 1.
FIG. 7 is a back view view of the scanner of FIG. 1; and,
FIG. 8 is a perspective view of the scanner of FIG. 1 including an identification card for demonstration purposes and shown in dotted lines to indicate that the identification card is not part of the design.

1 Claim, 5 Drawing Sheets



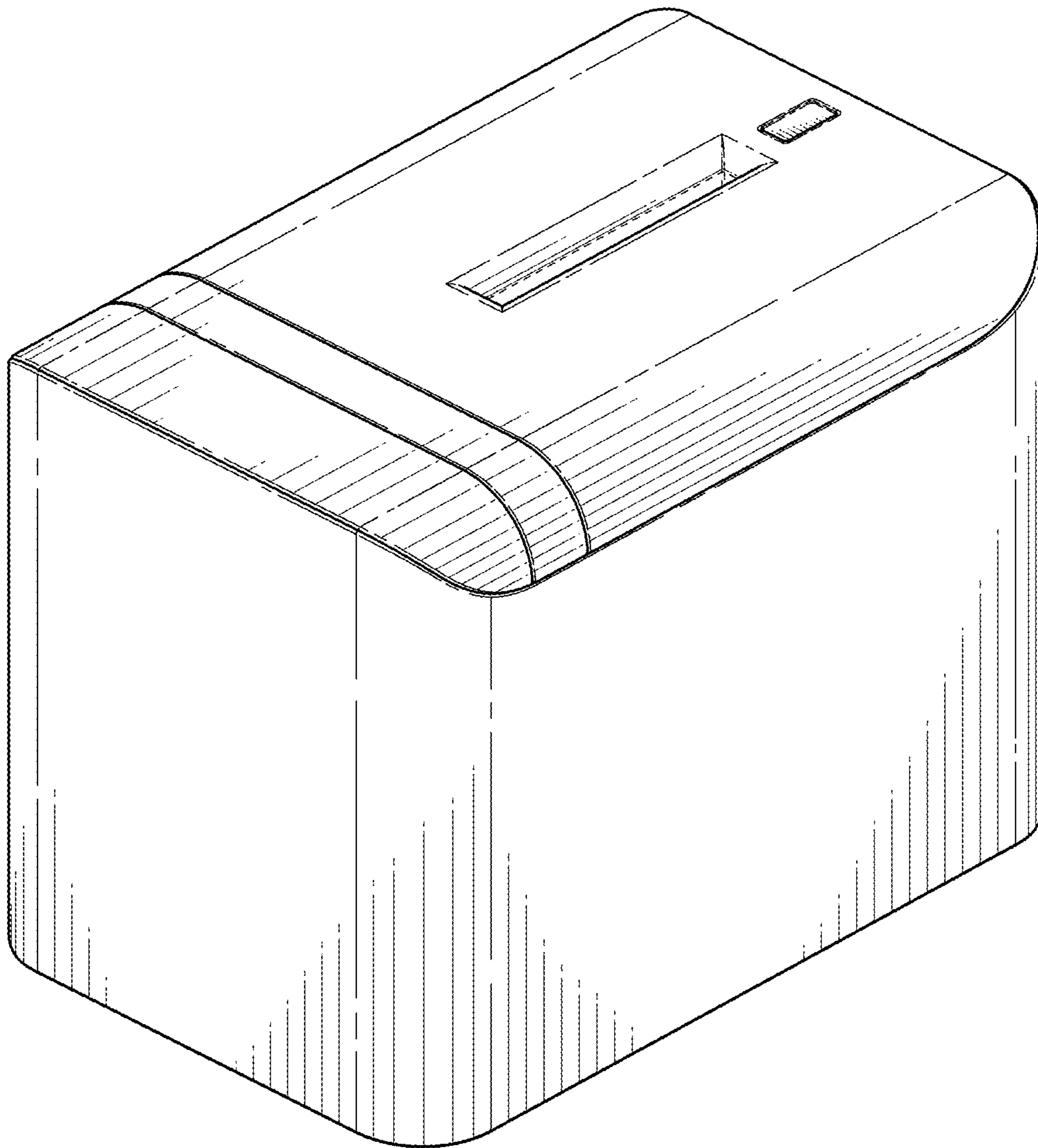


FIG. 1

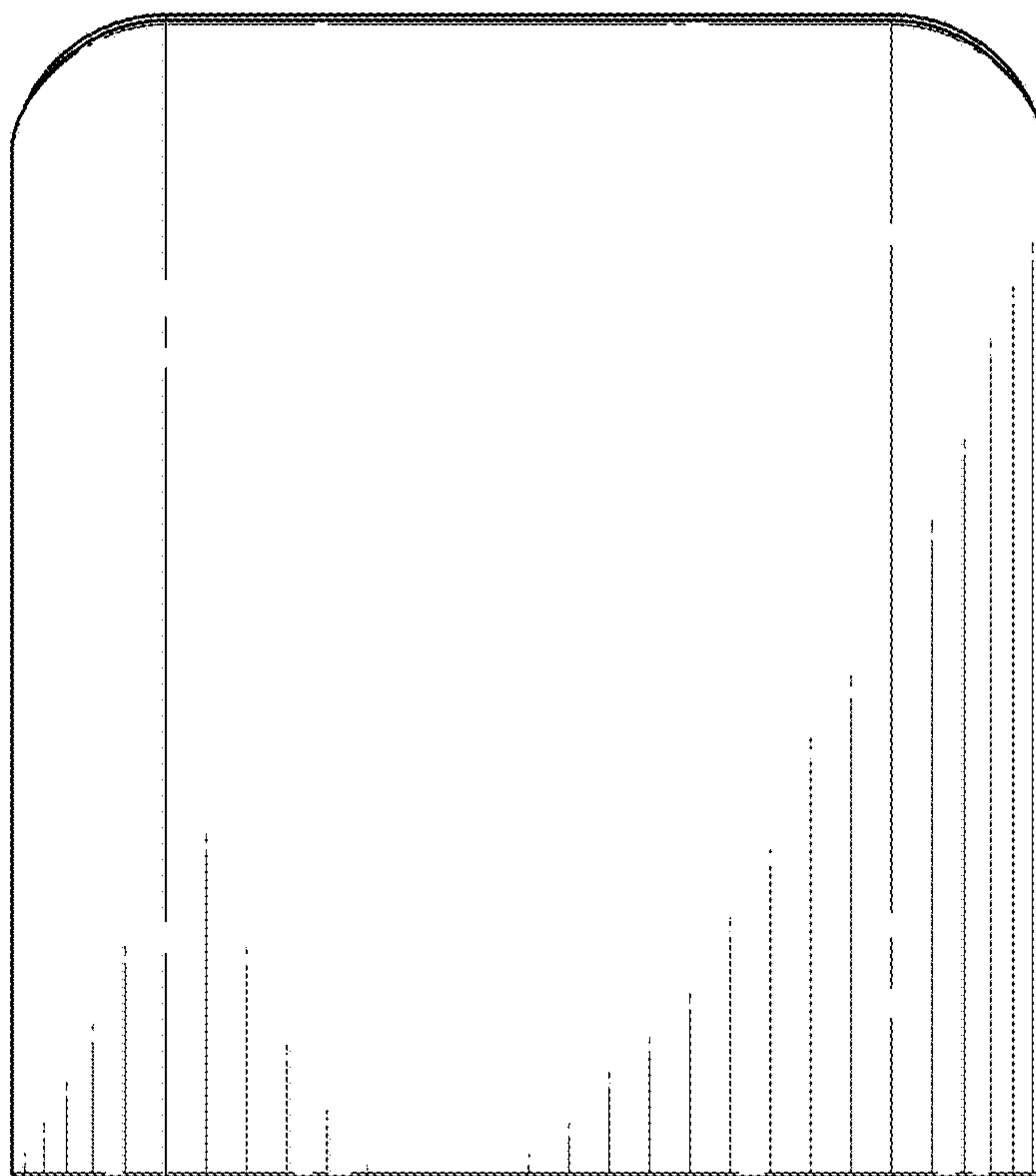


FIG. 2

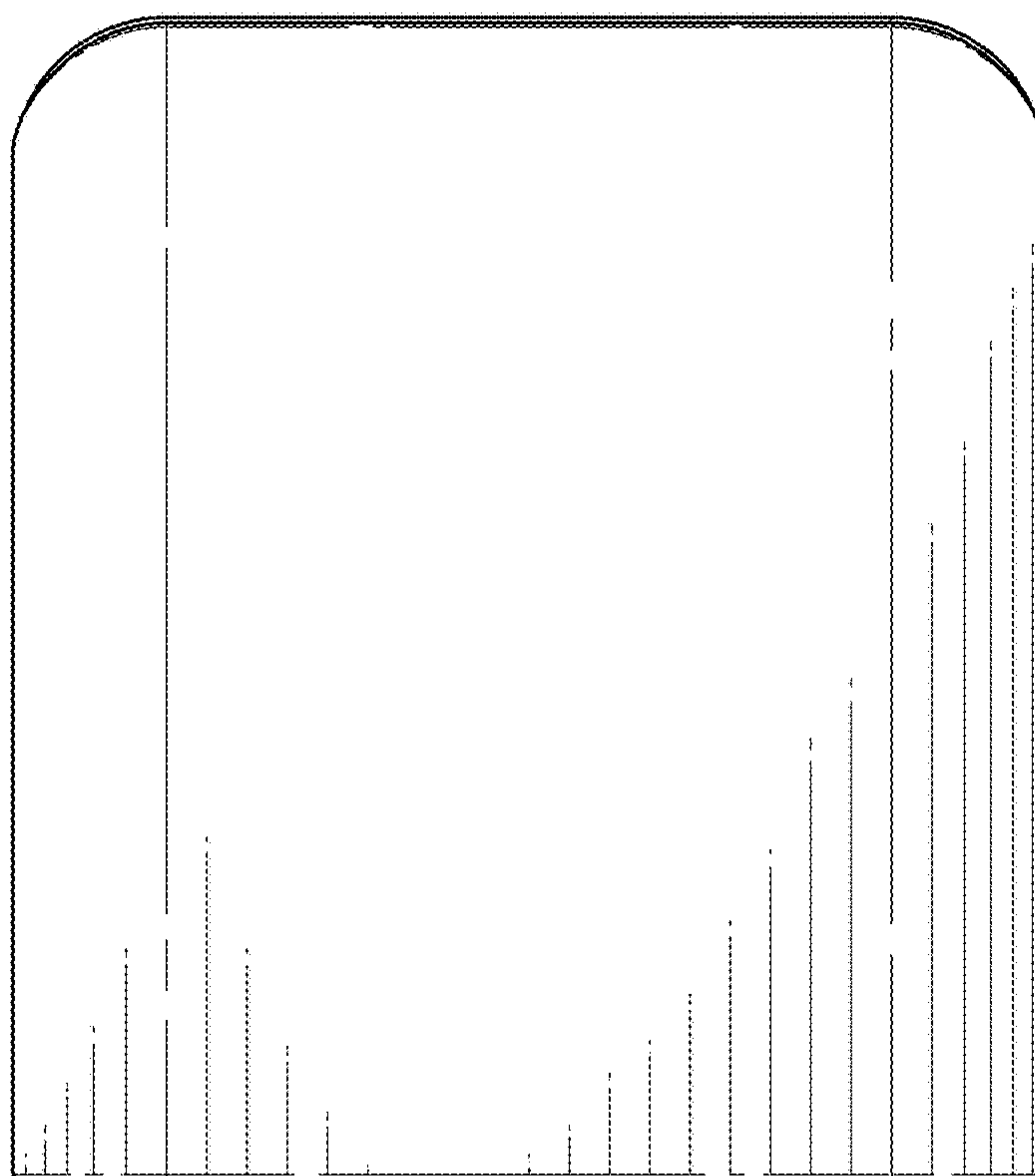


FIG. 3

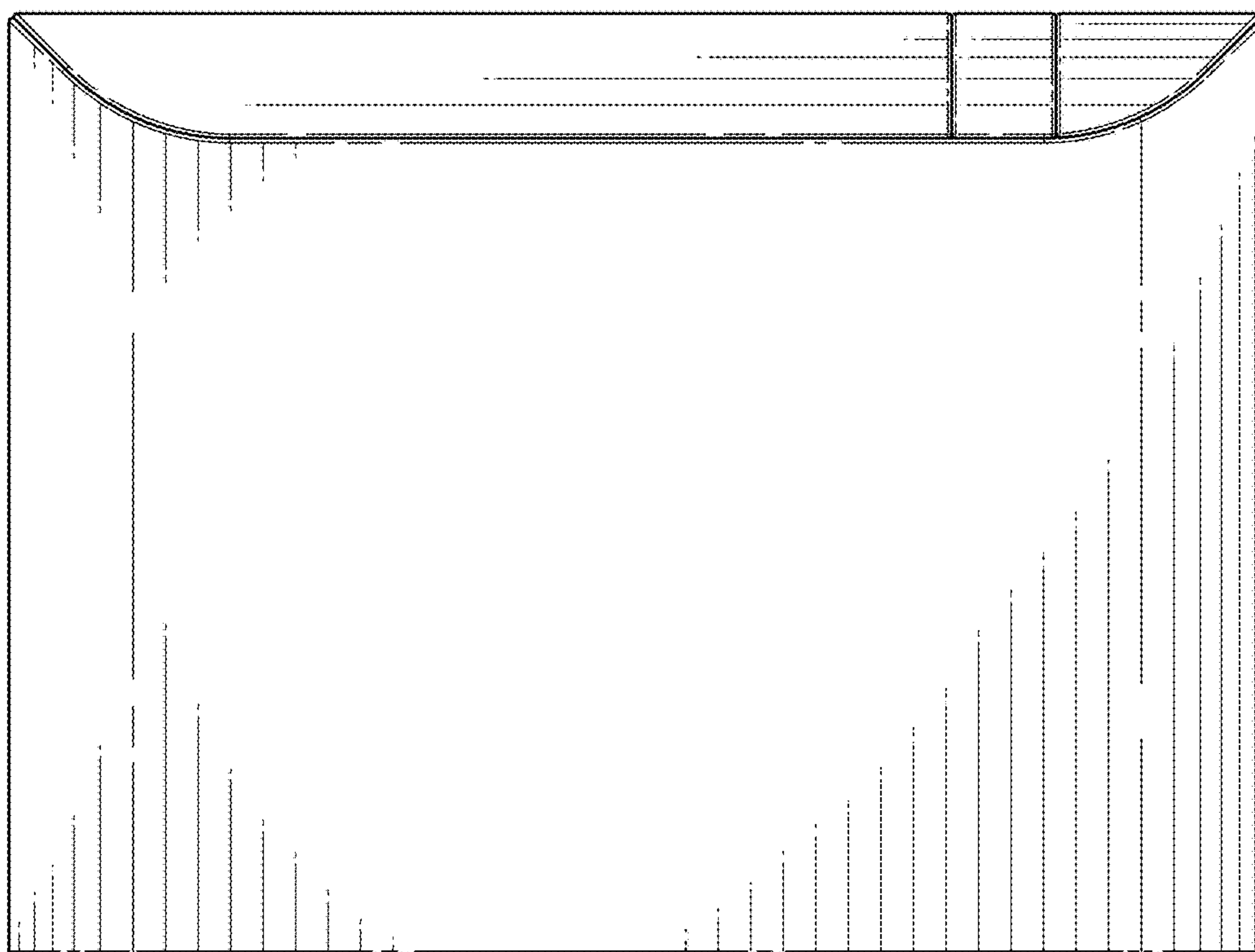


FIG. 4

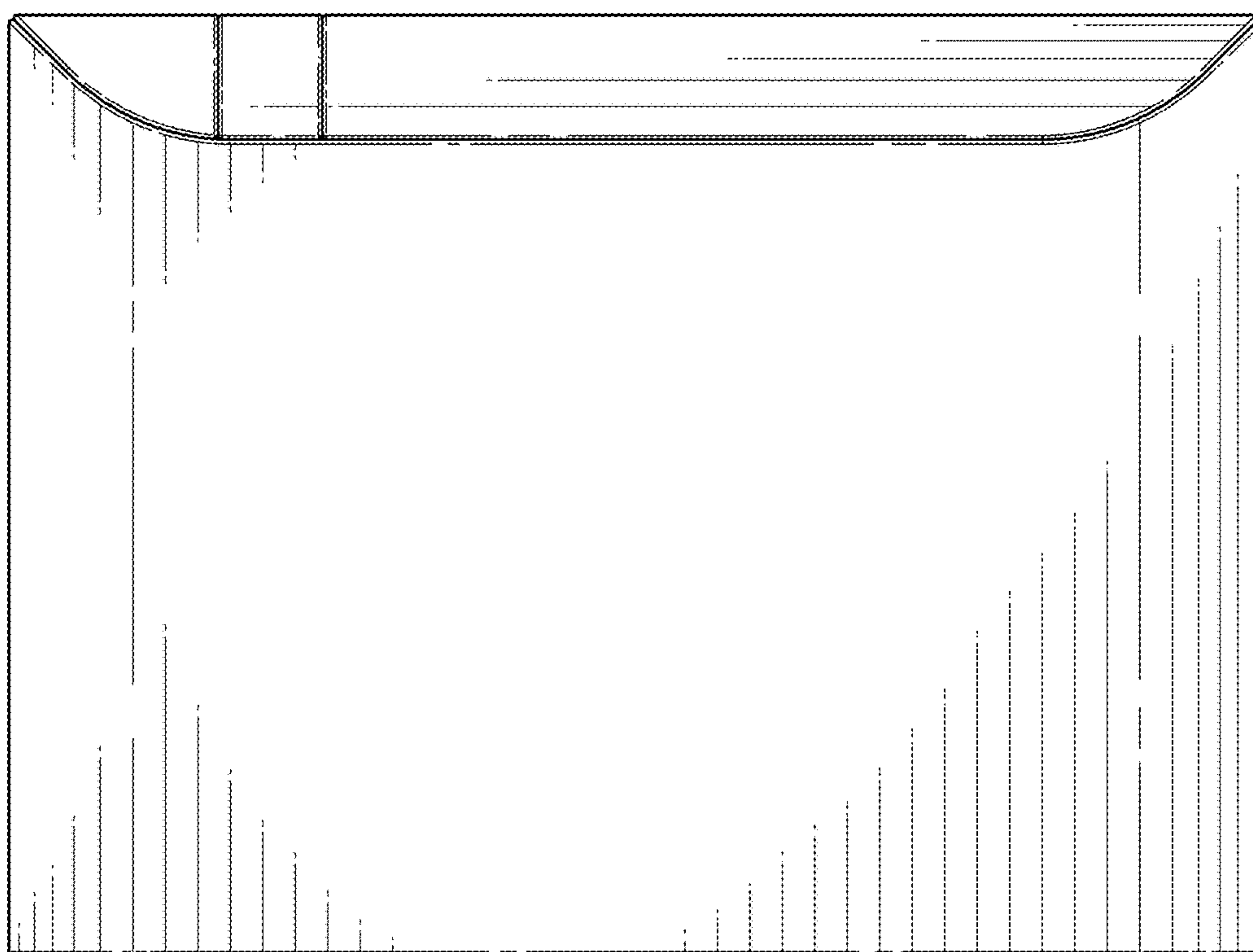


FIG. 5

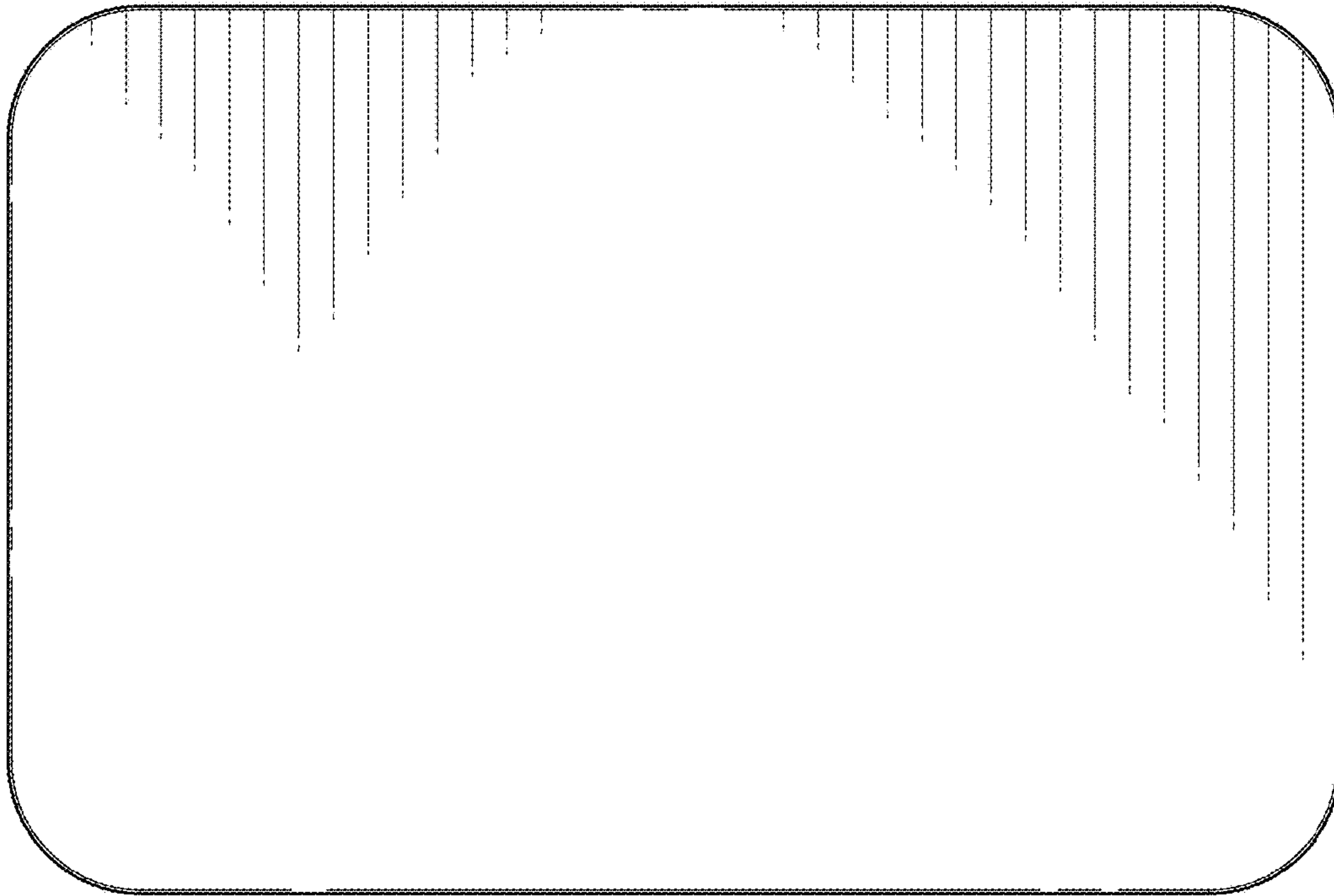


FIG. 7

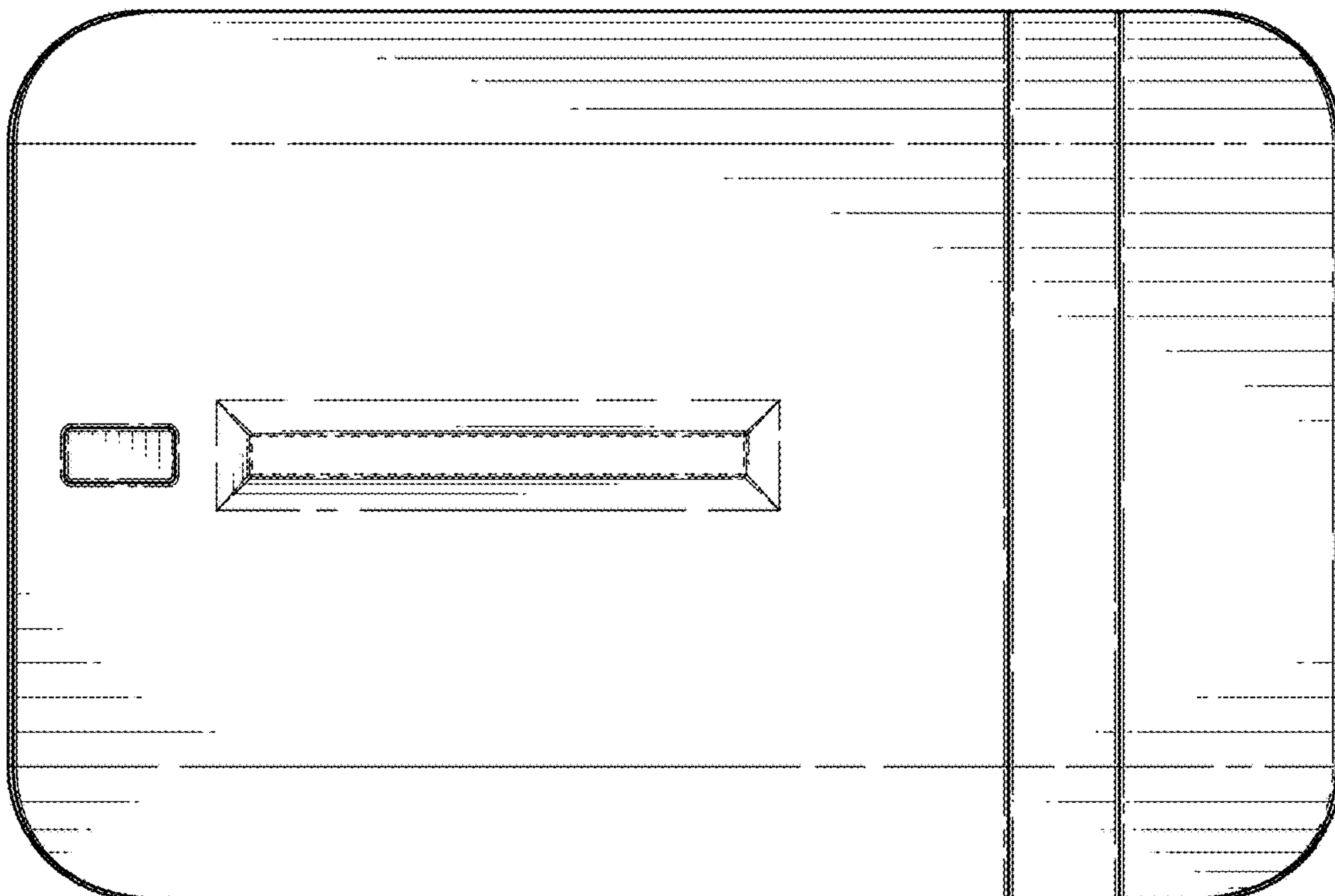


FIG. 6

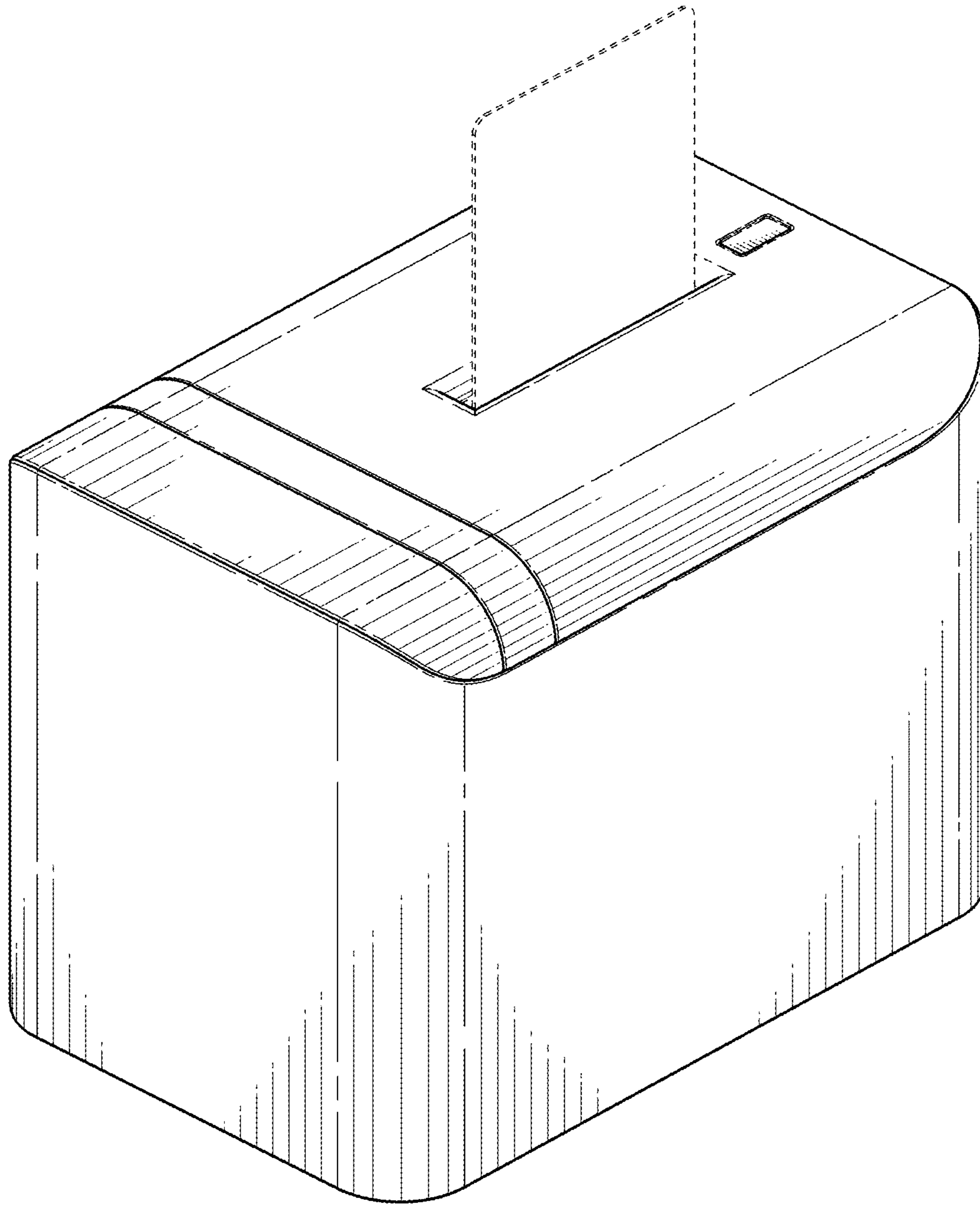


FIG. 8