



US00D822019S

(12) **United States Design Patent**
Komulainen

(10) **Patent No.:** **US D822,019 S**

(45) **Date of Patent:** **** Jul. 3, 2018**

(54) **MODULE OF PERSONAL LIFESTYLE MONITORING AND MANAGEMENT DEVICE**

(71) Applicant: **Polar Electro Oy**, Kempele (FI)

(72) Inventor: **Olli Komulainen**, Oulu (FI)

(73) Assignee: **Polar Electro Oy**, Kempele (FI)

(**) Term: **15 Years**

(21) Appl. No.: **29/552,808**

(22) Filed: **Jan. 26, 2016**

(30) **Foreign Application Priority Data**

Dec. 10, 2015 (EM) 002904698-0003

(51) **LOC (11) Cl.** **14-02**

(52) **U.S. Cl.**
USPC **D14/344**; D24/186

(58) **Field of Classification Search**

USPC D2/623, 626, 639, 878; D8/88, 356;
D10/30-39, 70, 98; D11/3, 87, 93-94,
D11/200, 201, 210, 216, 218, 221,
D11/230-231; D14/344, 138 R, 144,
D14/358; D24/167, 169, 186-187
CPC G06F 1/163; G06F 1/1628; G06F 1/1626;
G06F 1/1635; G06F 1/08; G06F 1/10;
G06F 1/04; G06F 1/14; G06F 1/3203;
A41D 1/002; H04M 1/02; H04M 1/03;
H04M 1/04; H04M 1/05; H04M 1/667;
Y02B 60/1217; H04B 1/385; H04B
1/3888; G06Q 20/10; G06Q 20/108;
G06Q 20/12; G06Q 20/145

See application file for complete search history.

(56) **References Cited**

U.S. PATENT DOCUMENTS

3,006,350 A * 10/1961 Grunfeld A44C 5/003
132/297
D238,758 S * 2/1976 Schulthess D10/15

D319,590 S * 9/1991 Houlihan D10/31
D342,740 S * 12/1993 Parker D11/4
5,274,613 A * 12/1993 Seager H04B 1/385
368/13
D350,351 S * 9/1994 Nakamura D14/498
5,381,387 A * 1/1995 Blonder G04B 47/025
368/10
D460,430 S * 7/2002 Wada D10/31
D466,488 S * 12/2002 Wada D10/31
D466,879 S * 12/2002 Wada D10/31
D664,868 S * 8/2012 Armstrong D10/38

(Continued)

Primary Examiner — Barbara Fox

Assistant Examiner — Kristin E Reed

(74) *Attorney, Agent, or Firm* — FisherBroyles, LLP

(57) **CLAIM**

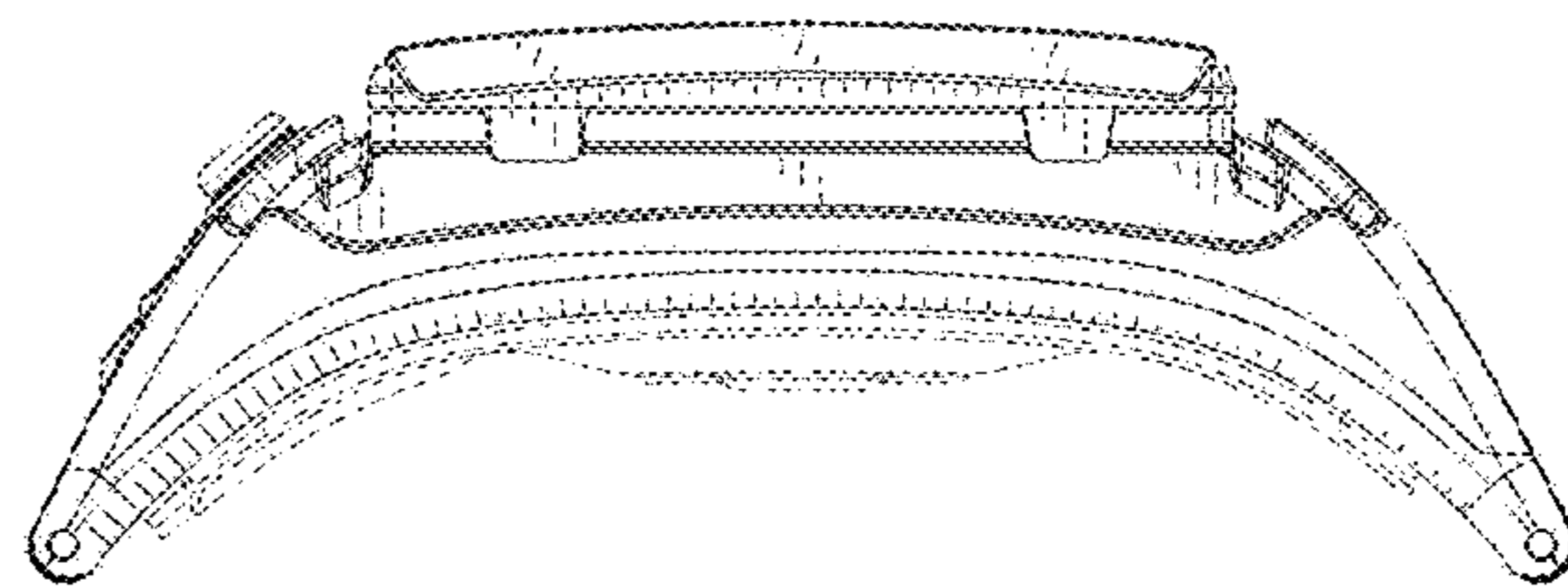
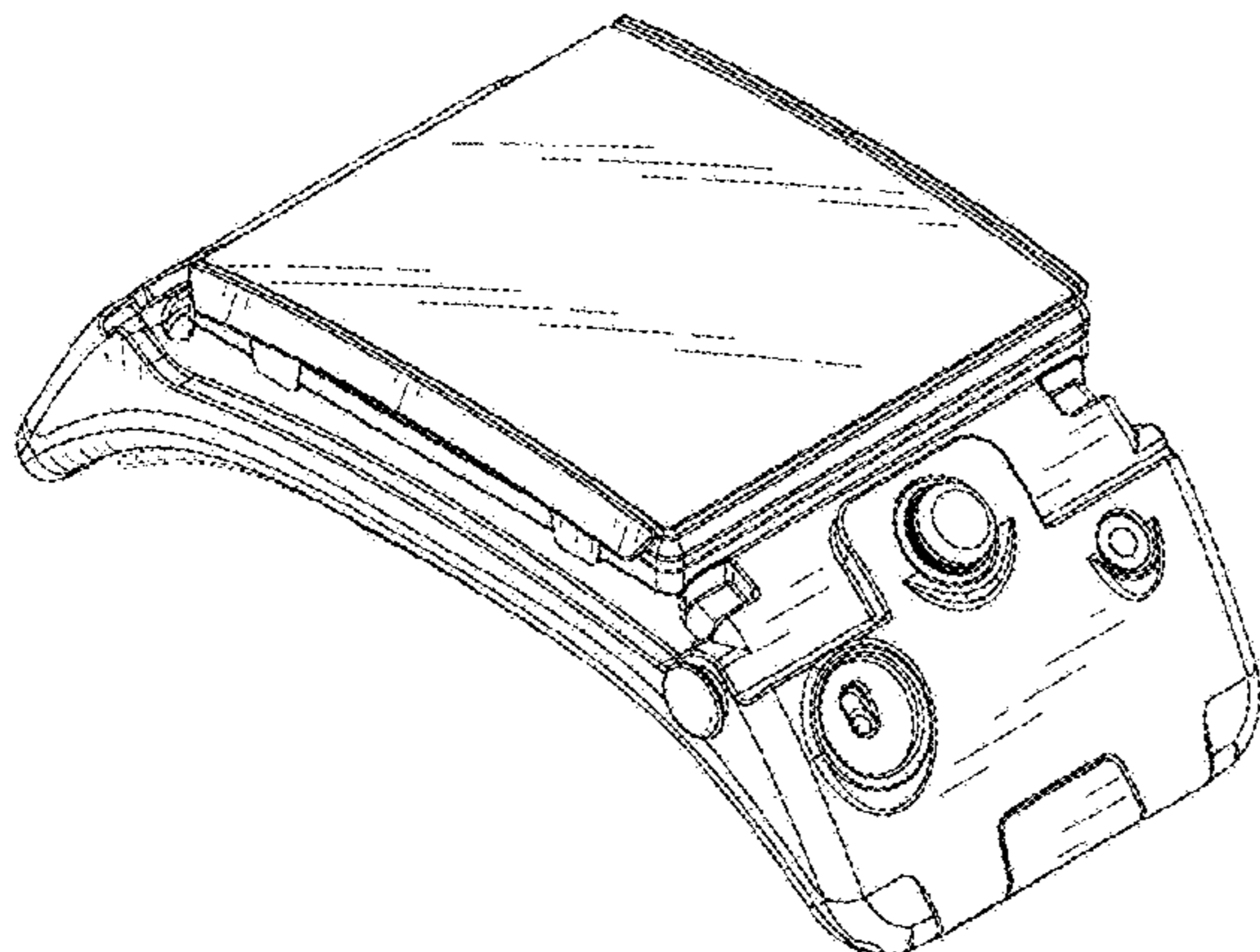
The ornamental design for a module of personal lifestyle monitoring and management device, as shown and described.

DESCRIPTION

FIG. 1 is a left isometric view of the module of personal lifestyle monitoring and management device;
FIG. 2 is a left-side view of the module of personal lifestyle monitoring and management device;
FIG. 3 is a right isometric view of the module of personal lifestyle monitoring and management device;
FIG. 4 is a right-side view of the module of personal lifestyle monitoring and management device;
FIG. 5 is a front view of the module of personal lifestyle monitoring and management device; and,
FIG. 6 is a rear view of the module of personal lifestyle monitoring and management device.

The broken lines shown in the drawings illustrate portions of the module of personal lifestyle monitoring and management device that form no part of the claimed design.

1 Claim, 6 Drawing Sheets



(56)

References Cited

U.S. PATENT DOCUMENTS

D709,846 S * 7/2014 Oswaks D10/32
D746,702 S * 1/2016 Galli D10/30

* cited by examiner

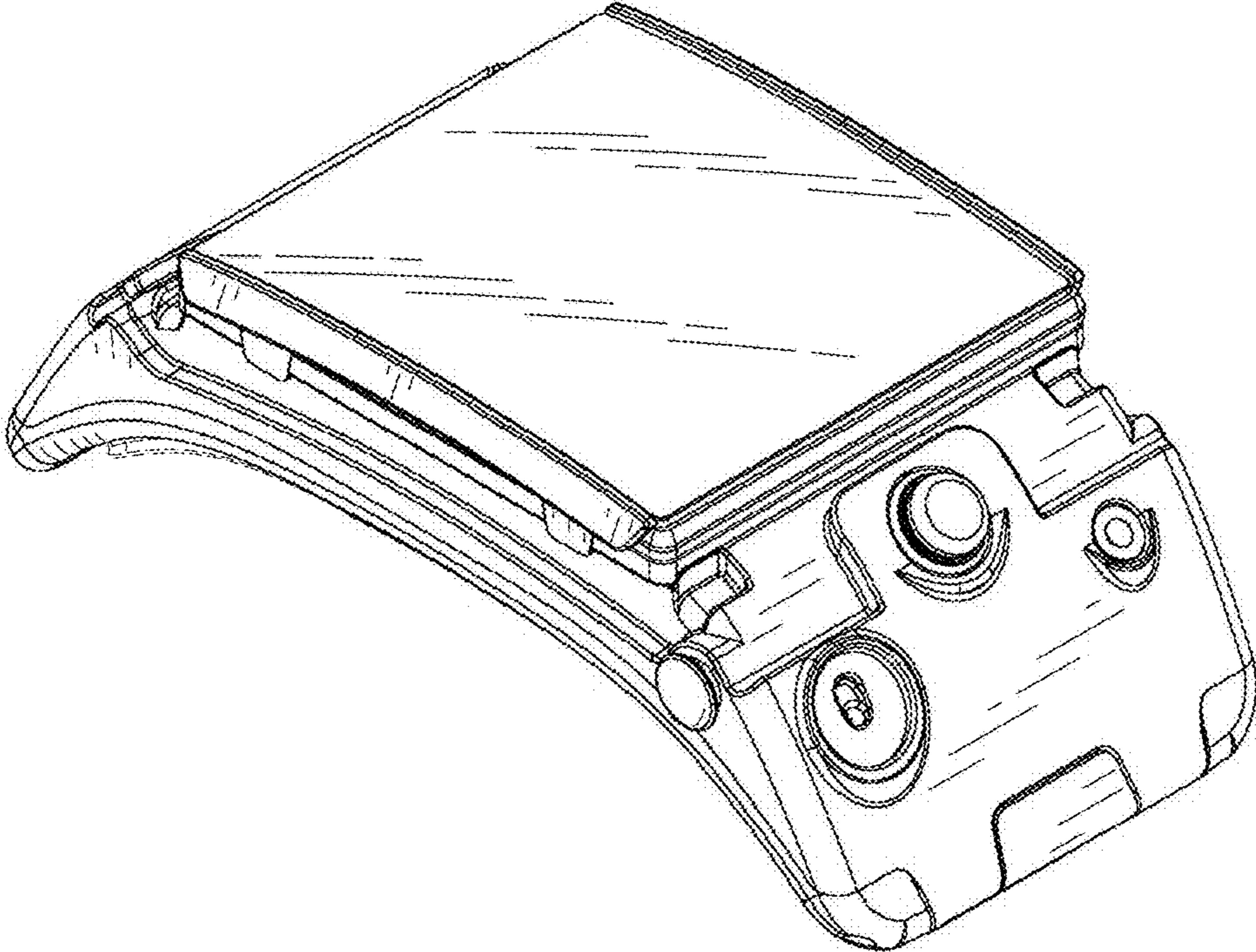


FIG. 1

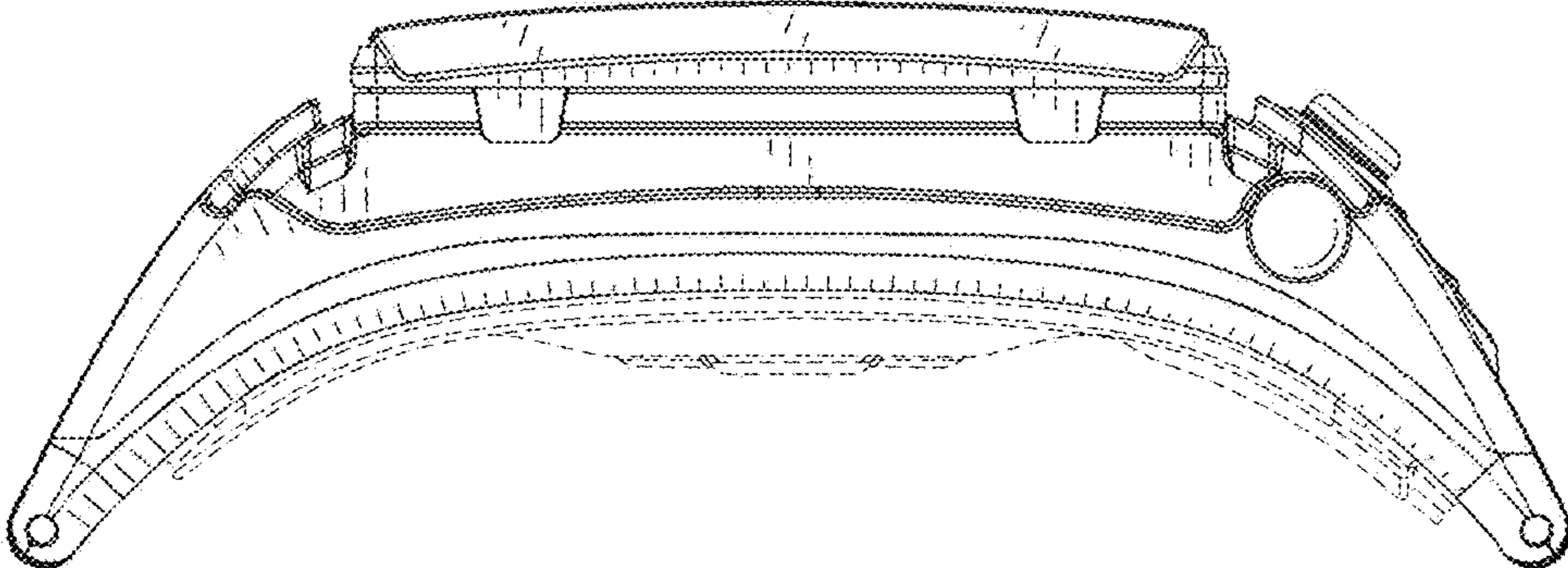


FIG. 2

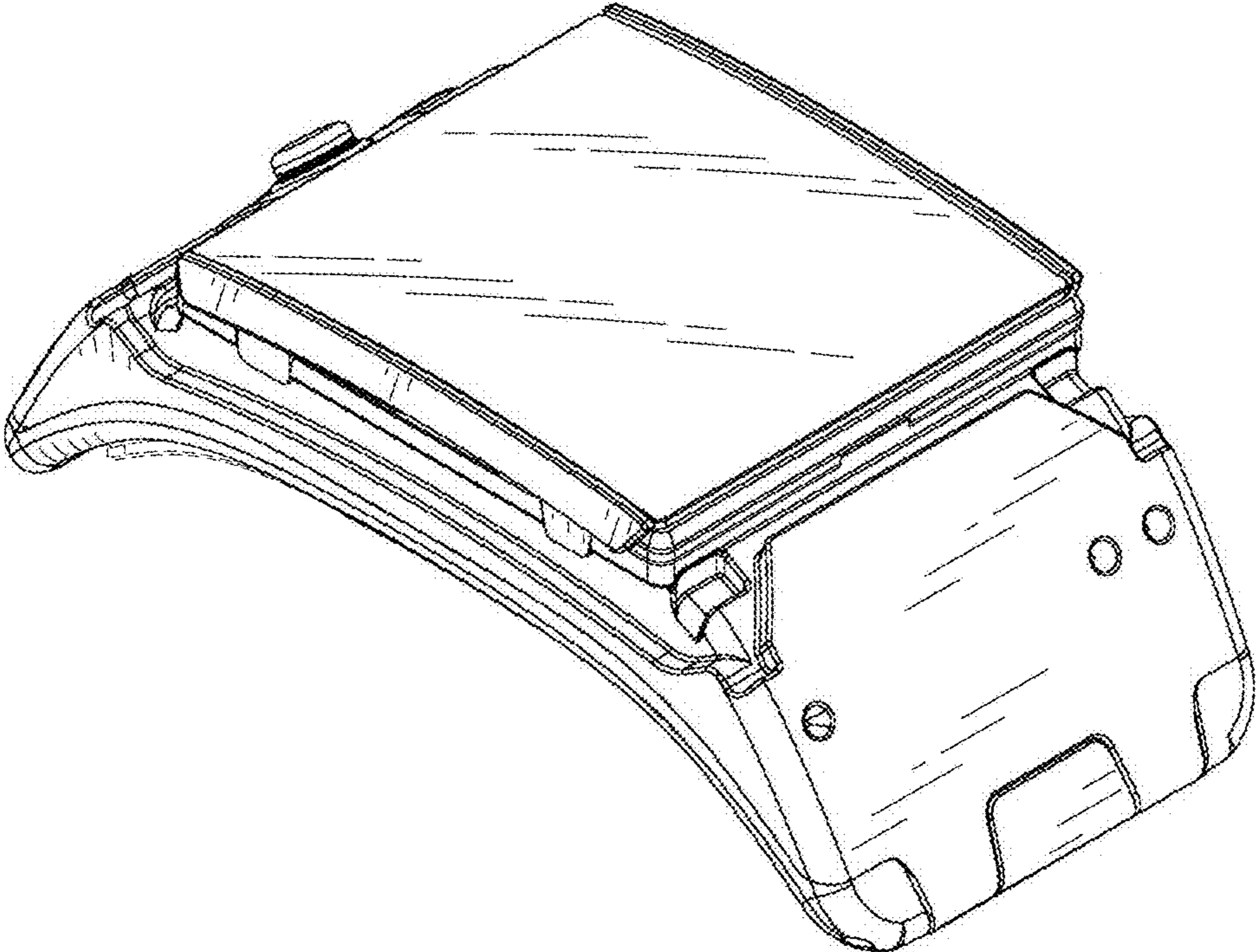


FIG. 3

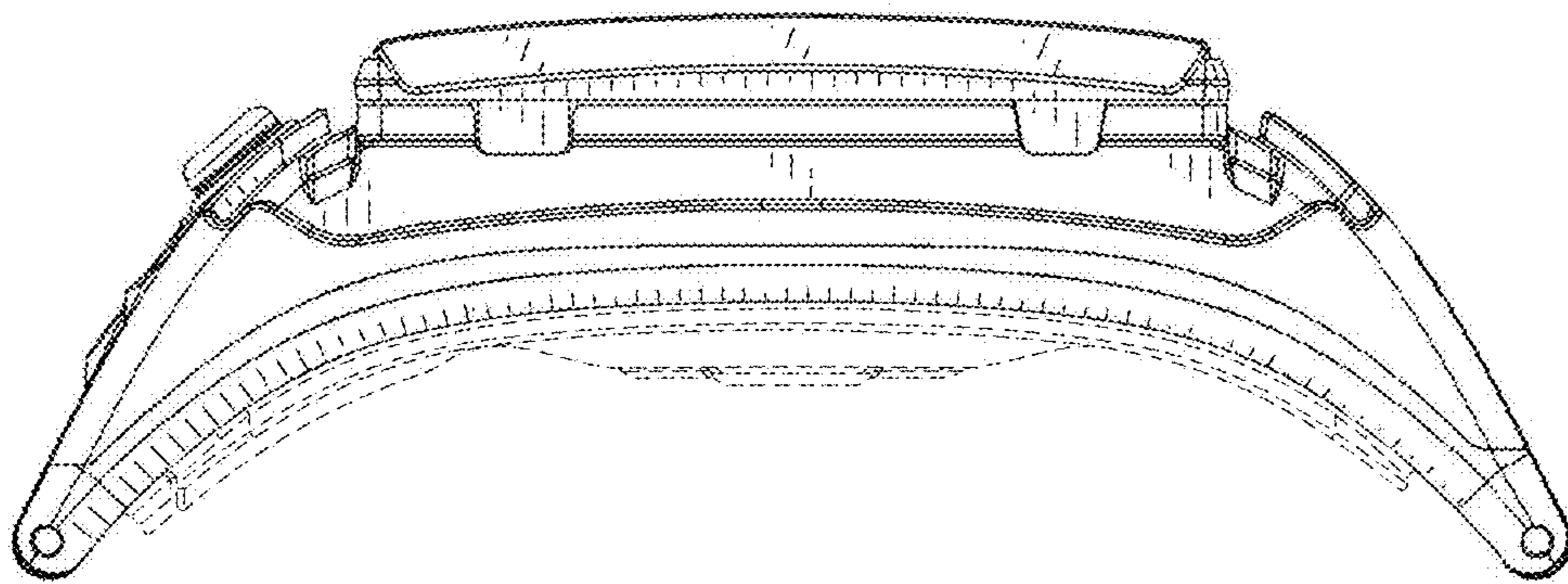


FIG. 4

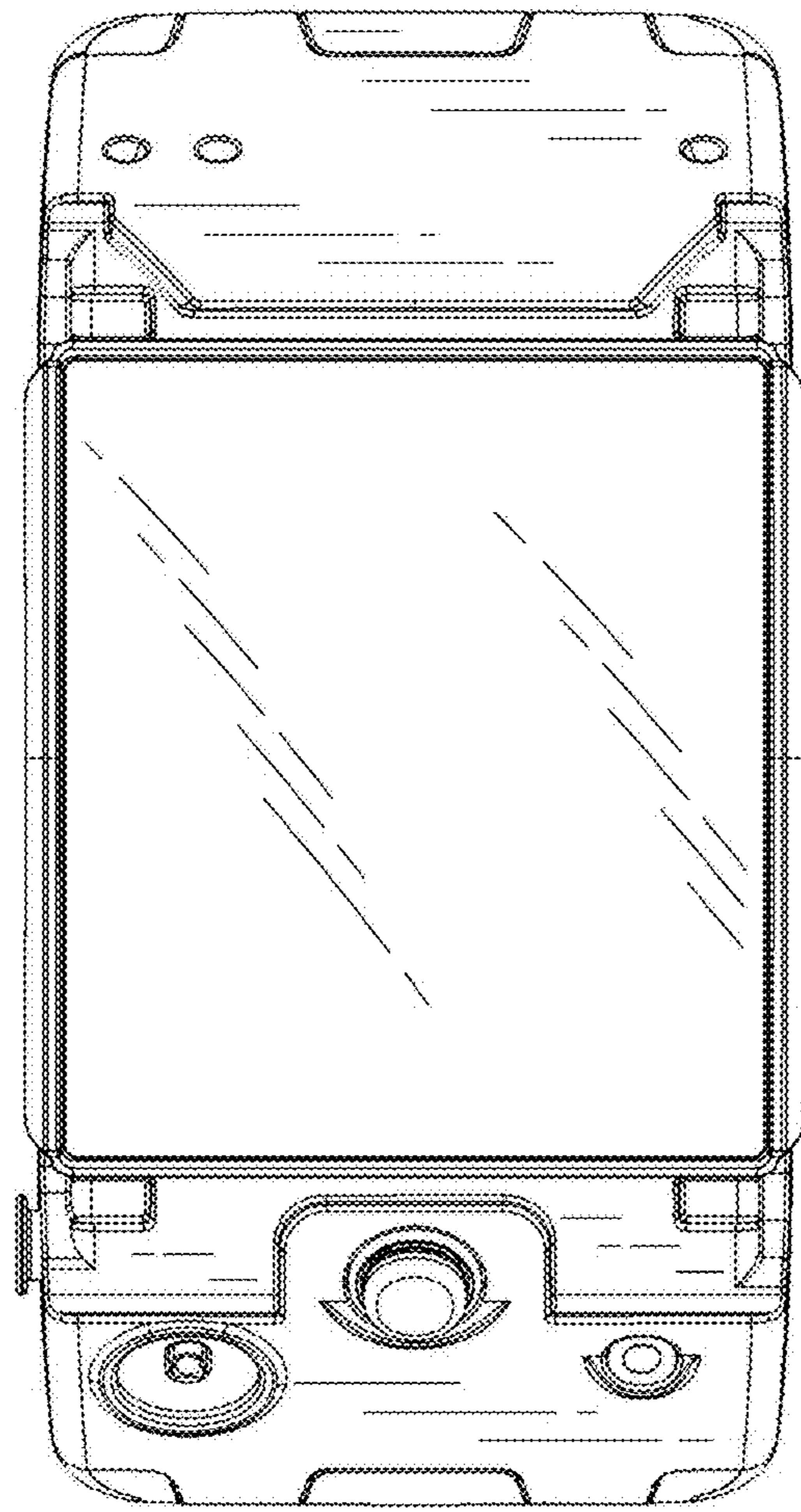


FIG. 5

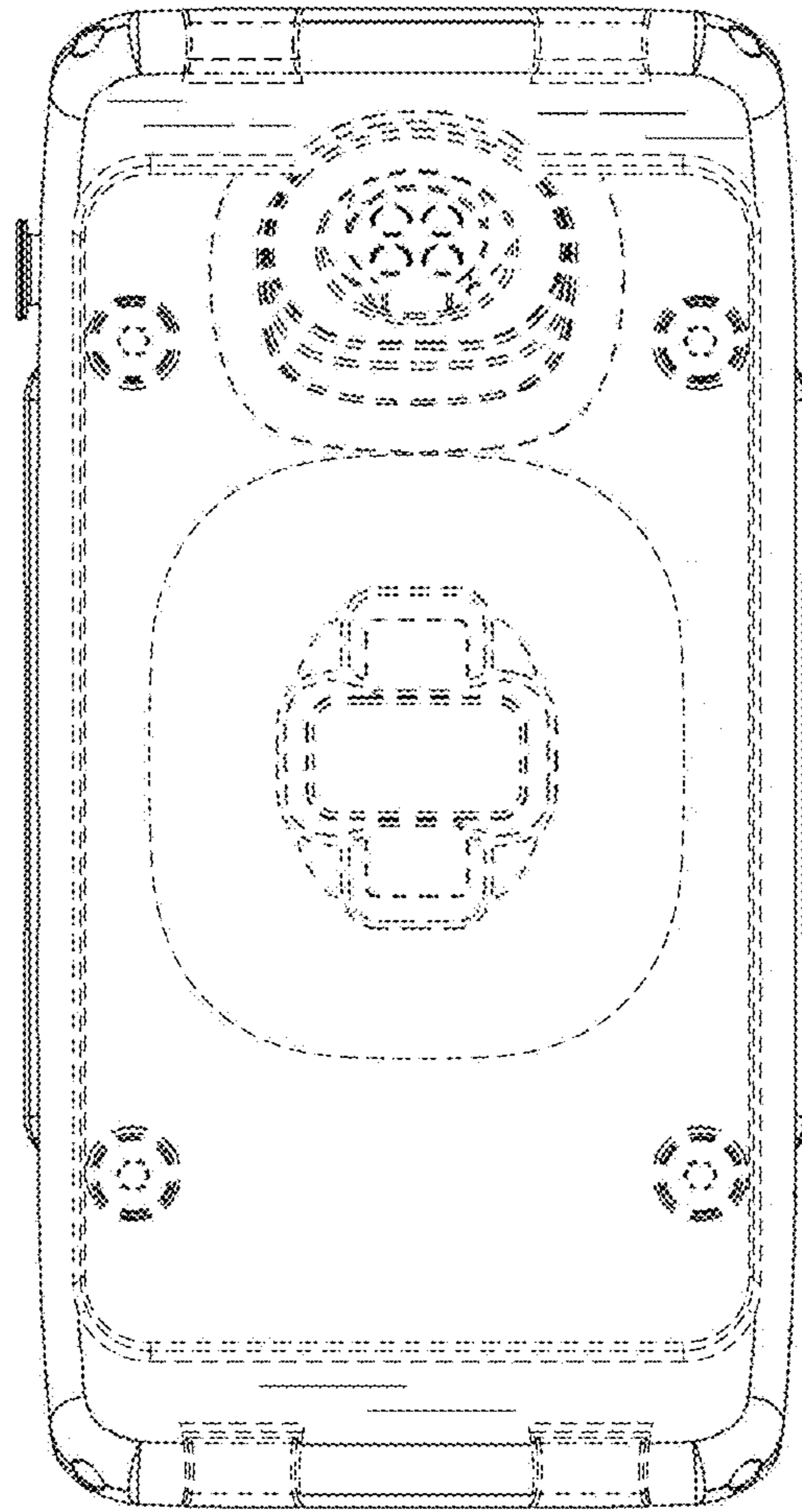


FIG. 6