

US00D822016S

(12) **United States Design Patent**  
**Zhong**

(10) **Patent No.:** **US D822,016 S**  
(45) **Date of Patent:** **\*\* Jul. 3, 2018**

(54) **MOBILE COMPUTER**

(71) Applicant: **Getac Technology Corporation,**  
Hsinchu County (TW)

(72) Inventor: **Shi-Liang Zhong,** Taipei (TW)

(73) Assignee: **GETAC TECHNOLOGY**  
**CORPORATION,** Hsinchu County  
(TW)

(\*\*) Term: **15 Years**

(21) Appl. No.: **29/554,048**

(22) Filed: **Feb. 8, 2016**

(51) **LOC (11) Cl.** ..... **14-02**

(52) **U.S. Cl.**  
USPC ..... **D14/341**

(58) **Field of Classification Search**  
USPC ..... D14/157, 247–258, 315–318, 341–347,  
D14/420, 426, 129, 130, 496, 137, 138 R,  
D14/138 AA, 138 G, 203.1, 203.3, 203.4,  
D14/203.7, 388, 389; D10/50, 65, 104.1;  
D21/329, 330; D18/7  
CPC ..... G06F 3/04883; G06F 3/0486; G06F  
3/04847; G06F 3/04845; G06F 3/04817;  
G06F 3/0484; G06F 1/1613; G06F  
1/1647; G06F 1/1641; H04M 1/0279;  
H04M 1/0281; H04M 1/0283; A63H  
33/3016

See application file for complete search history.

(56) **References Cited**

**U.S. PATENT DOCUMENTS**

D519,117 S \* 4/2006 Lewis ..... D14/374  
D532,791 S \* 11/2006 Kim ..... D14/203.7  
D560,231 S \* 1/2008 Lee ..... D14/496  
D561,616 S \* 2/2008 Park ..... D10/65  
D574,272 S \* 8/2008 Stevens ..... D10/65  
D576,503 S \* 9/2008 Park ..... D10/65  
D626,123 S \* 10/2010 Peng ..... D14/324

D628,199 S \* 11/2010 Yukikado ..... D14/371  
D628,913 S \* 12/2010 Cheng ..... D10/65  
D636,769 S \* 4/2011 Wood ..... D14/341

(Continued)

**OTHER PUBLICATIONS**

Newly Released: Getac ZX70 Fully Rugged Android Tablet,  
announced May 11, 2017 [online], [site visited 26/26/17]. Available  
from Internet, URL: <<http://blog.dctkc.com/getac-zx70-fully-rugged-android-tablet/>>.\*

*Primary Examiner* — Barbara G Fox

*Assistant Examiner* — Dana K Weiland

(74) *Attorney, Agent, or Firm* — Locke Lord LLP; Tim  
Tingkang Xia, Esq.

(57) **CLAIM**

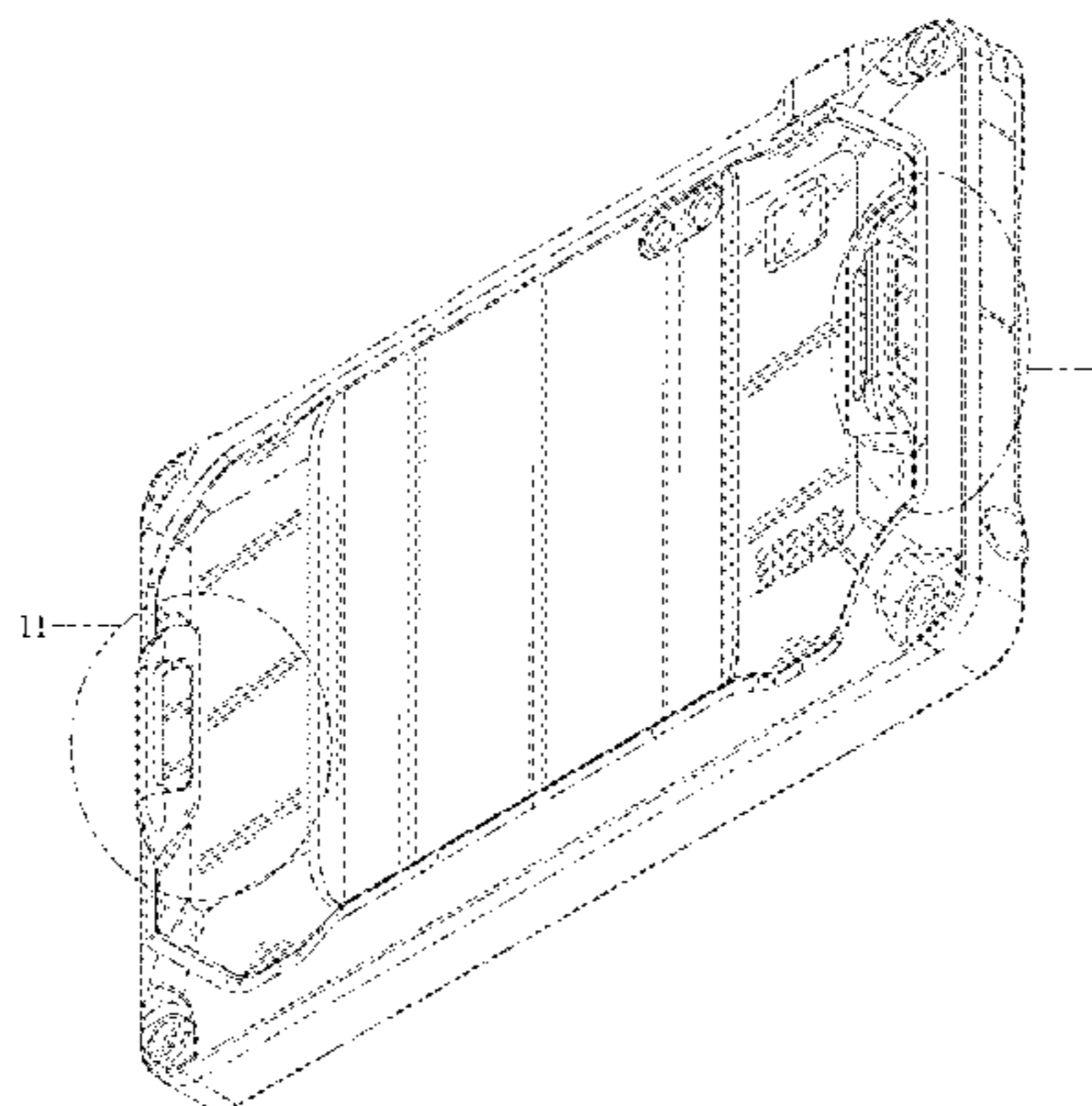
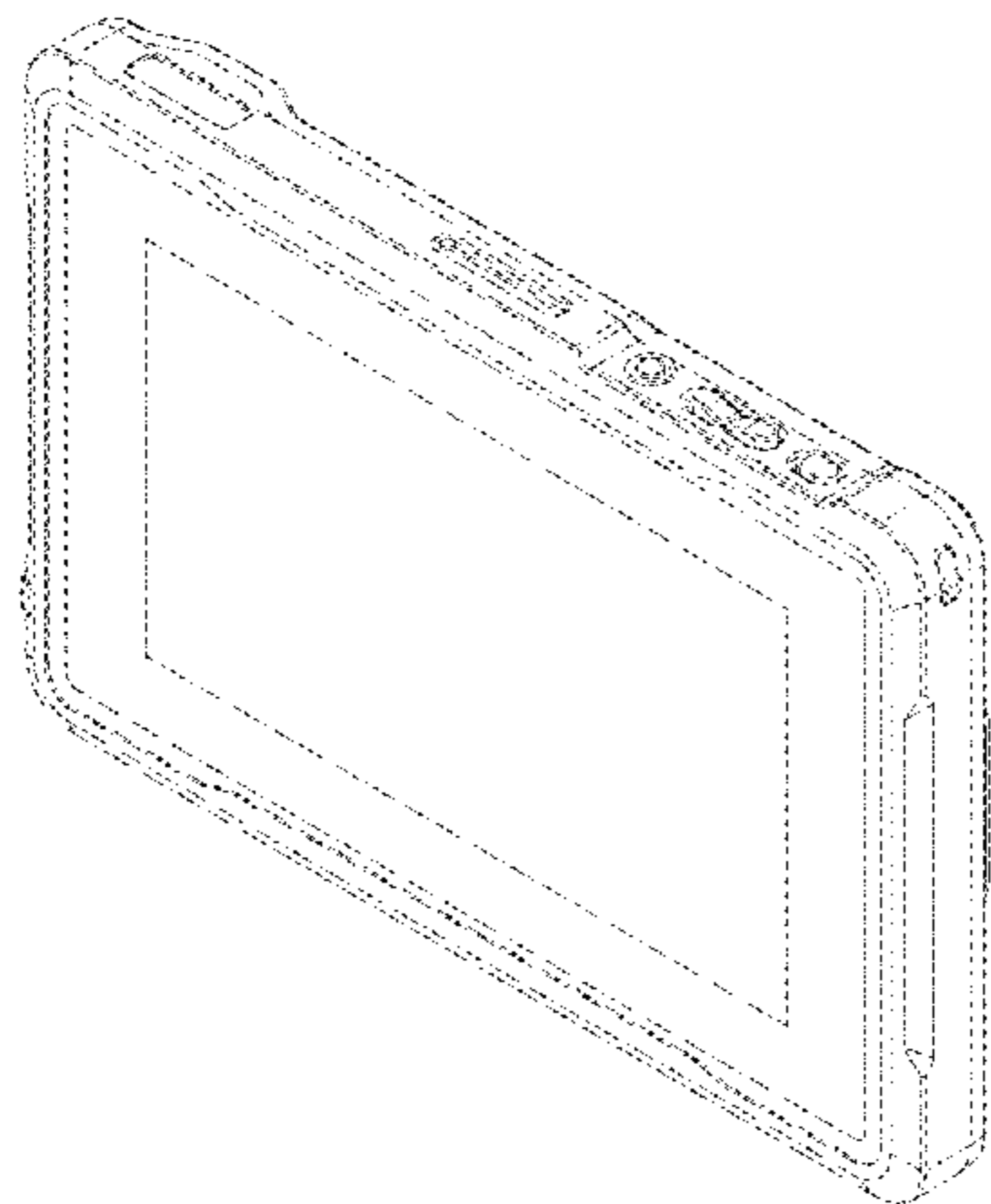
The ornamental design for a mobile computer, as shown and  
described.

**DESCRIPTION**

FIG. 1 is a top front right perspective view of a mobile  
computer showing my new design;  
FIG. 2 is the bottom rear left perspective view thereof;  
FIG. 3 is the front view thereof;  
FIG. 4 is the rear view thereof;  
FIG. 5 is the left side view thereof;  
FIG. 6 is the right side view thereof;  
FIG. 7 is the top view thereof;  
FIG. 8 is the bottom view thereof;  
FIG. 9 is an enlarged, fragmentary view of FIG. 2;  
FIG. 10 is a sectioned, perspective view of FIG. 9;  
FIG. 11 is another enlarged, fragmentary view of FIG. 2;  
FIG. 12 is a sectioned, perspective view of FIG. 11;  
FIG. 13 is an enlarged, fragmentary view of FIG. 5; and,  
FIG. 14 is an enlarged, fragmentary view of FIG. 6.

The evenly-spaced dashed broken lines shown in the draw-  
ings depict portions of the mobile computer that form no part

(Continued)



of the claimed design. The long-short dashed broken lines shown in the drawings indicate enlargements and form no part of the claimed design.

**1 Claim, 14 Drawing Sheets**

(56)

**References Cited**

U.S. PATENT DOCUMENTS

D640,149 S \* 6/2011 Lenz ..... D10/65  
 D672,767 S \* 12/2012 Yoneya ..... D14/341  
 D681,623 S \* 5/2013 Chang ..... D14/250  
 D687,827 S \* 8/2013 Song ..... D14/341  
 D688,240 S \* 8/2013 Wesolek ..... D14/341  
 D691,131 S \* 10/2013 Brown ..... D14/341  
 D694,751 S \* 12/2013 Ju ..... D14/341  
 D698,343 S \* 1/2014 Chang ..... D14/250  
 D701,211 S \* 3/2014 Ng ..... D14/440  
 D710,350 S \* 8/2014 Steiger ..... D14/341  
 D710,352 S \* 8/2014 Lee ..... D14/341  
 D710,844 S \* 8/2014 Lee ..... D14/341

D721,075 S \* 1/2015 Toda ..... D14/342  
 D723,028 S \* 2/2015 Leonard ..... D14/316  
 D724,093 S \* 3/2015 Dong ..... D14/440  
 D725,651 S \* 3/2015 Green ..... D14/341  
 D733,154 S \* 6/2015 Armstrong ..... D14/440  
 D738,342 S \* 9/2015 Kitade ..... D14/138 G  
 D738,756 S \* 9/2015 Jiang ..... D10/50  
 D743,392 S \* 11/2015 Ju ..... D14/341  
 D746,242 S \* 12/2015 Matsumoto ..... D14/126  
 D756,290 S \* 5/2016 Cho ..... D12/415  
 D762,642 S \* 8/2016 Johnson ..... D14/341  
 D766,249 S \* 9/2016 Veltz ..... D14/440  
 D766,907 S \* 9/2016 Veltz ..... D14/440  
 D767,564 S \* 9/2016 Li ..... D14/341  
 D772,864 S \* 11/2016 Musch ..... D14/341  
 D781,845 S \* 3/2017 Sale ..... D14/341  
 D785,612 S \* 5/2017 Kim ..... D14/248  
 D785,617 S \* 5/2017 Bidwell ..... D14/341  
 D801,976 S \* 11/2017 Li ..... D14/440  
 D802,596 S \* 11/2017 Hannon ..... D14/440  
 D806,083 S \* 12/2017 Armstrong ..... D14/440  
 2013/0194189 A1 \* 8/2013 Lee ..... G06F 1/1626  
 345/169

\* cited by examiner

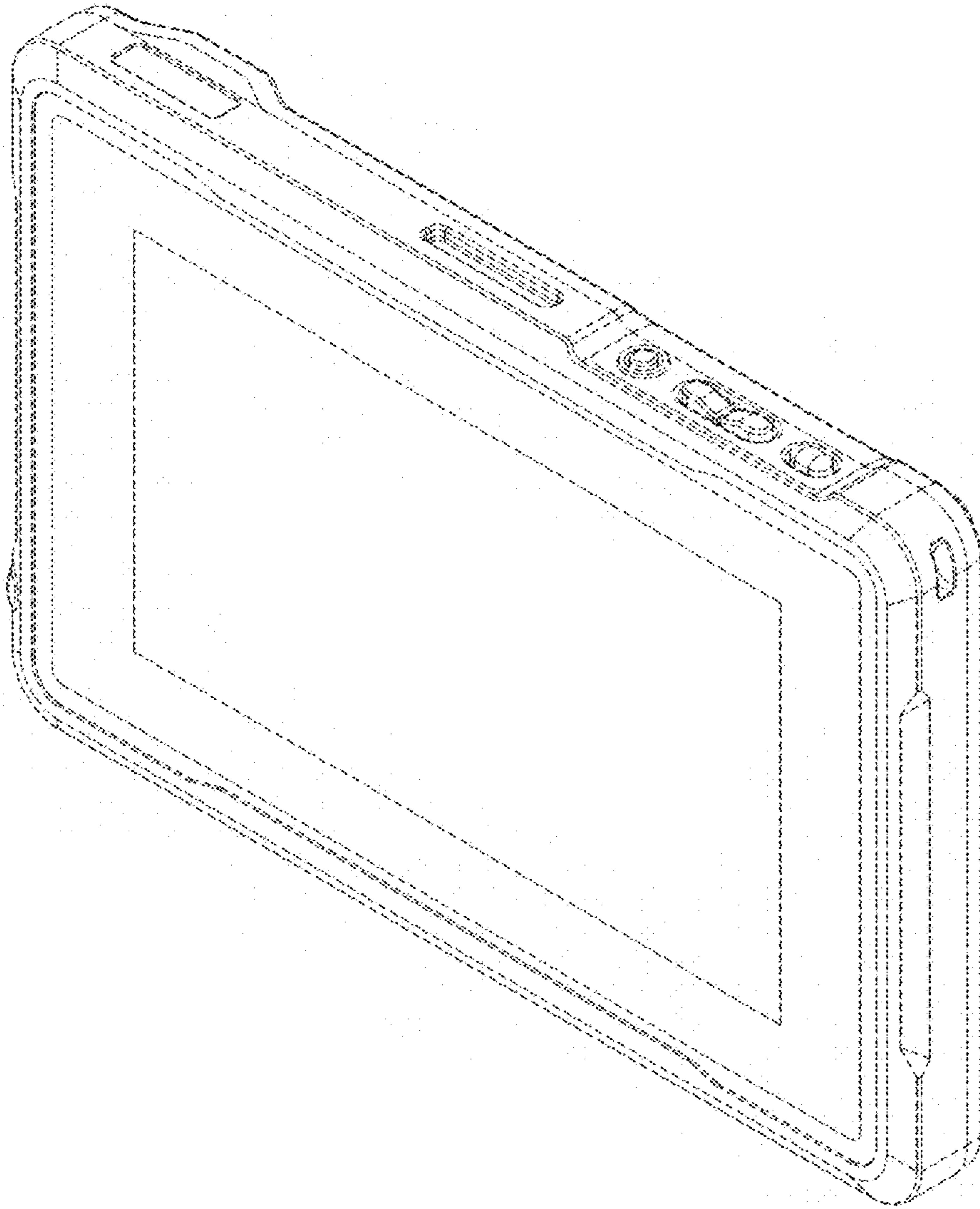


FIG. 1

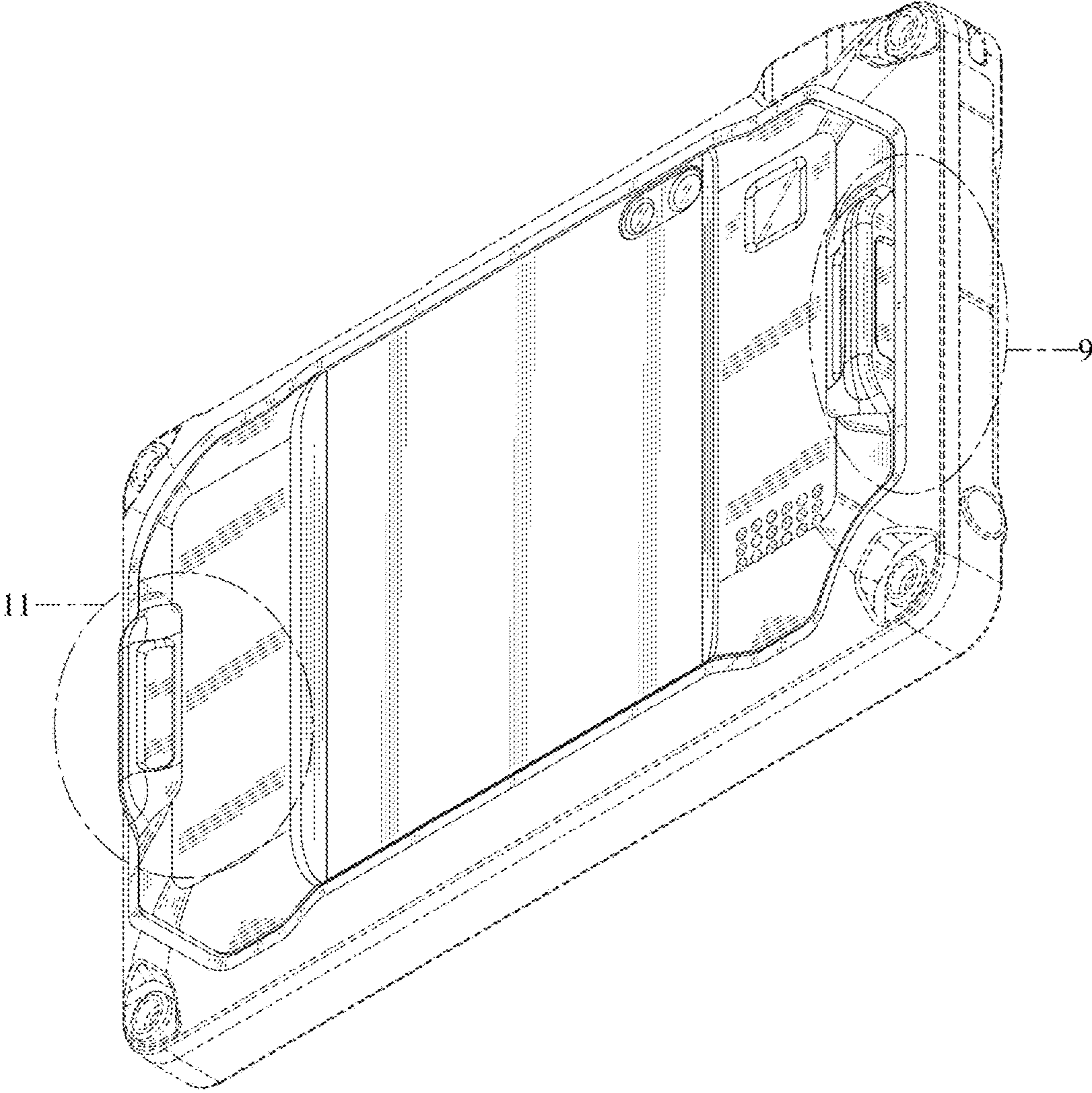


FIG. 2

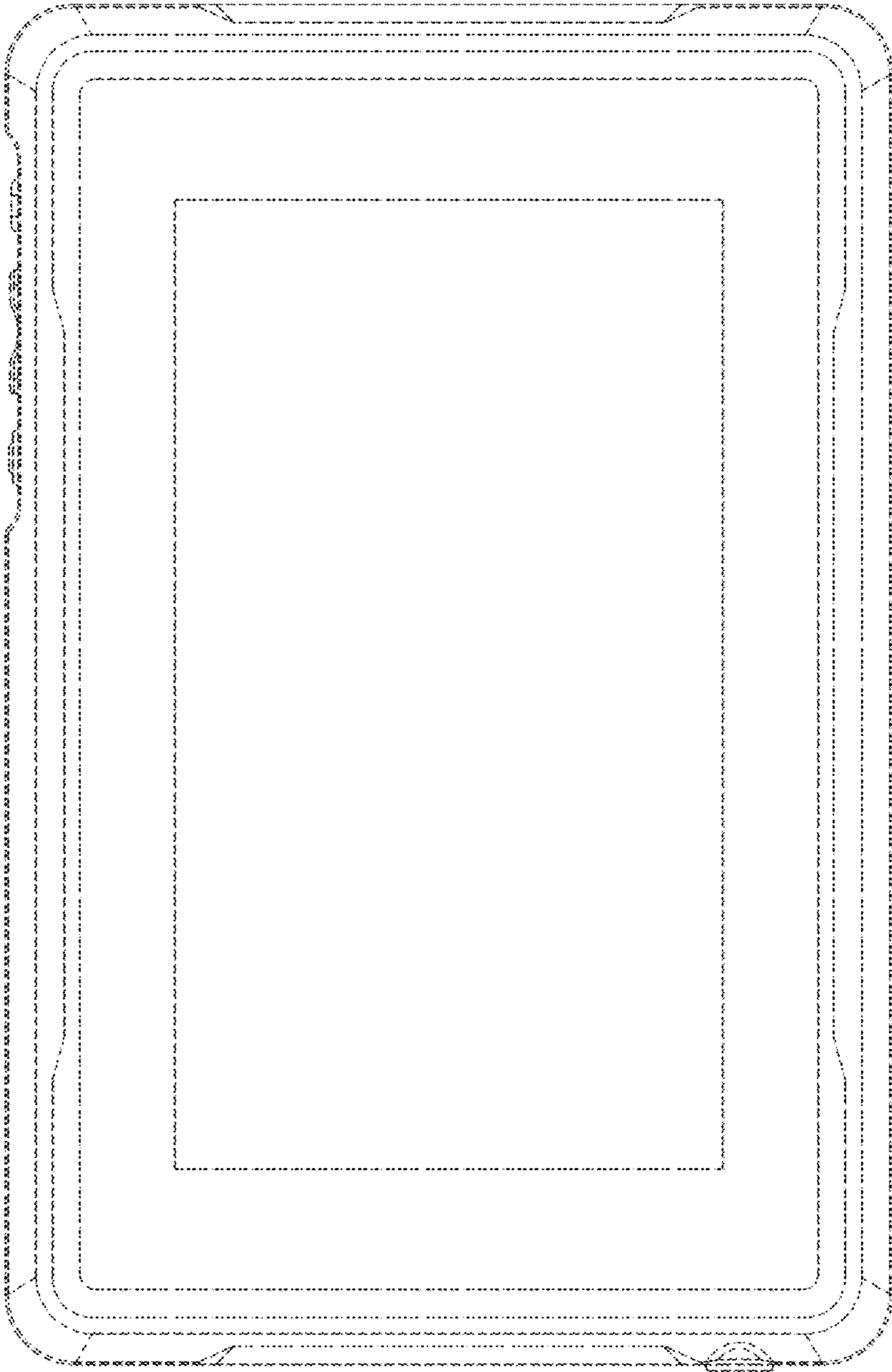


FIG. 3

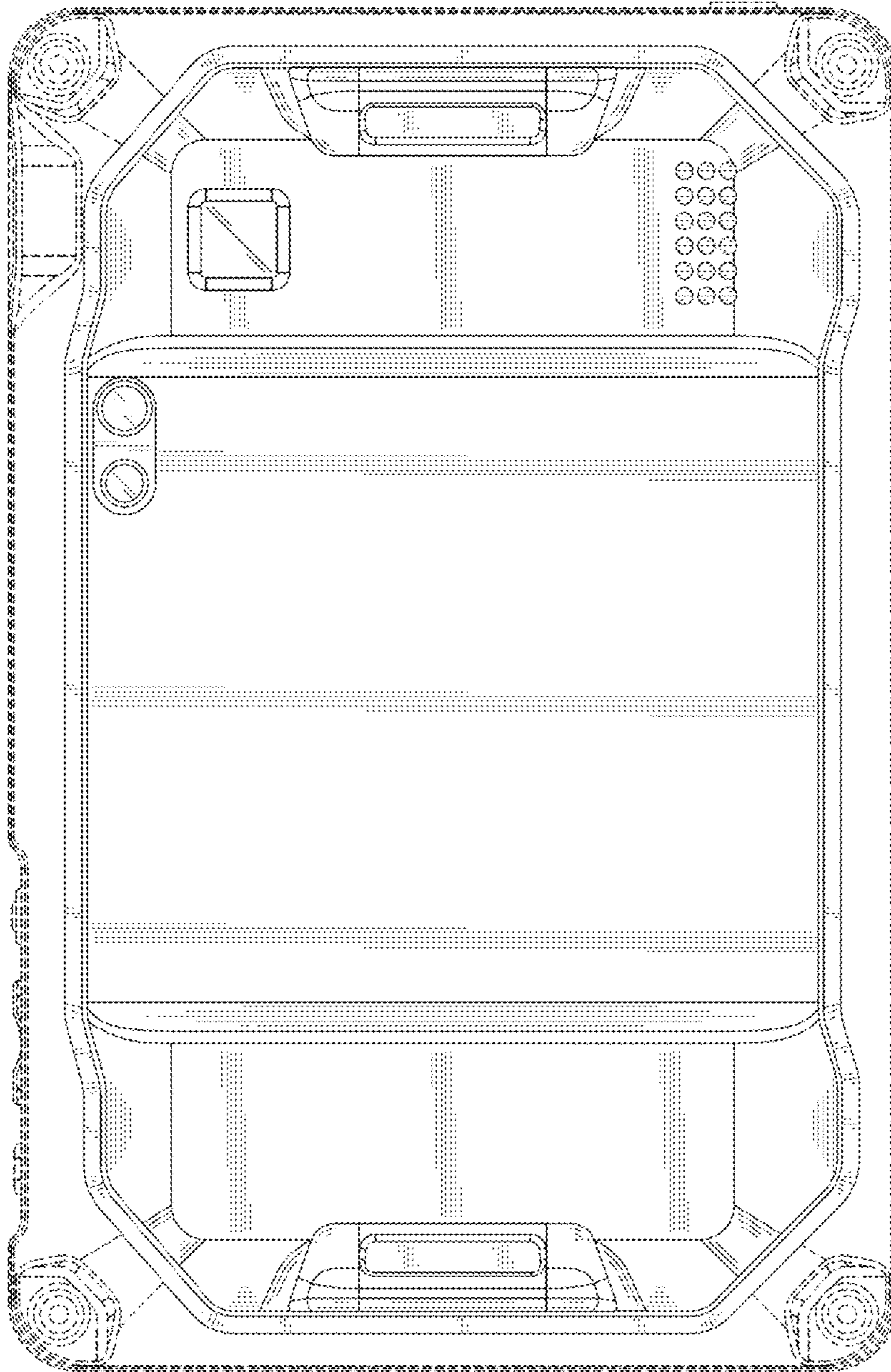


FIG. 4

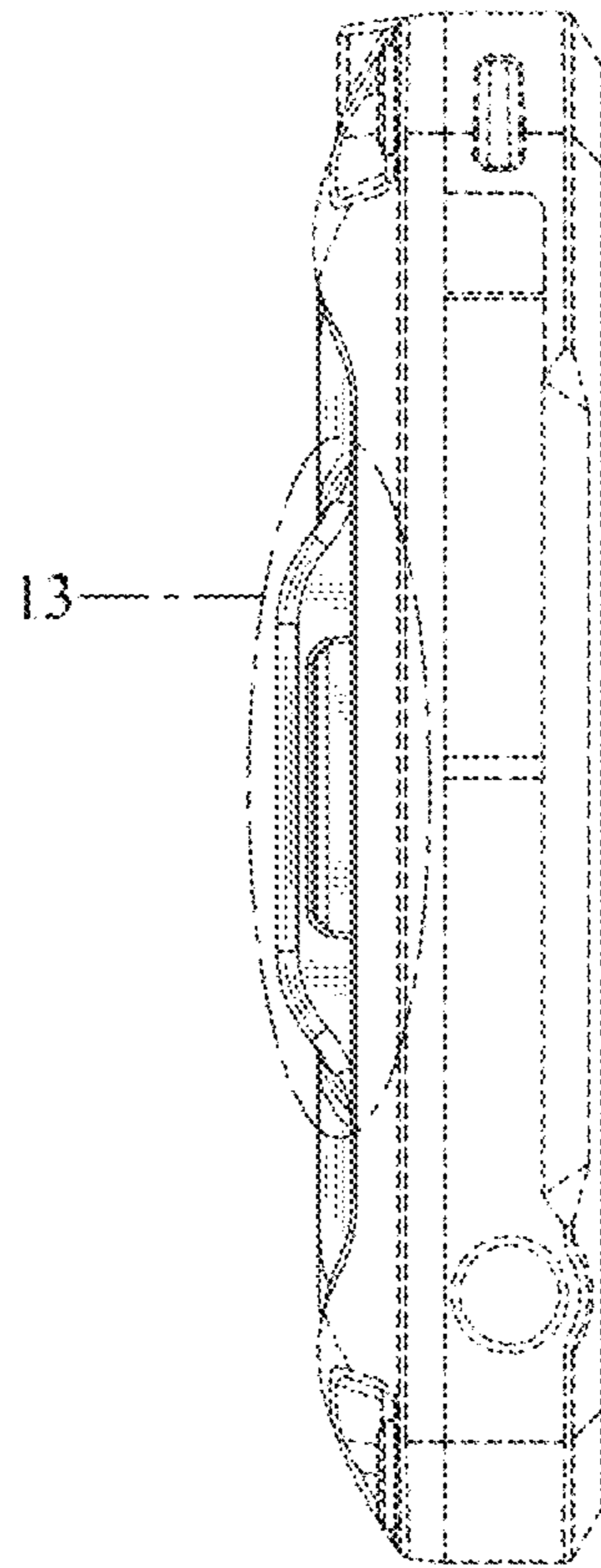


FIG. 5

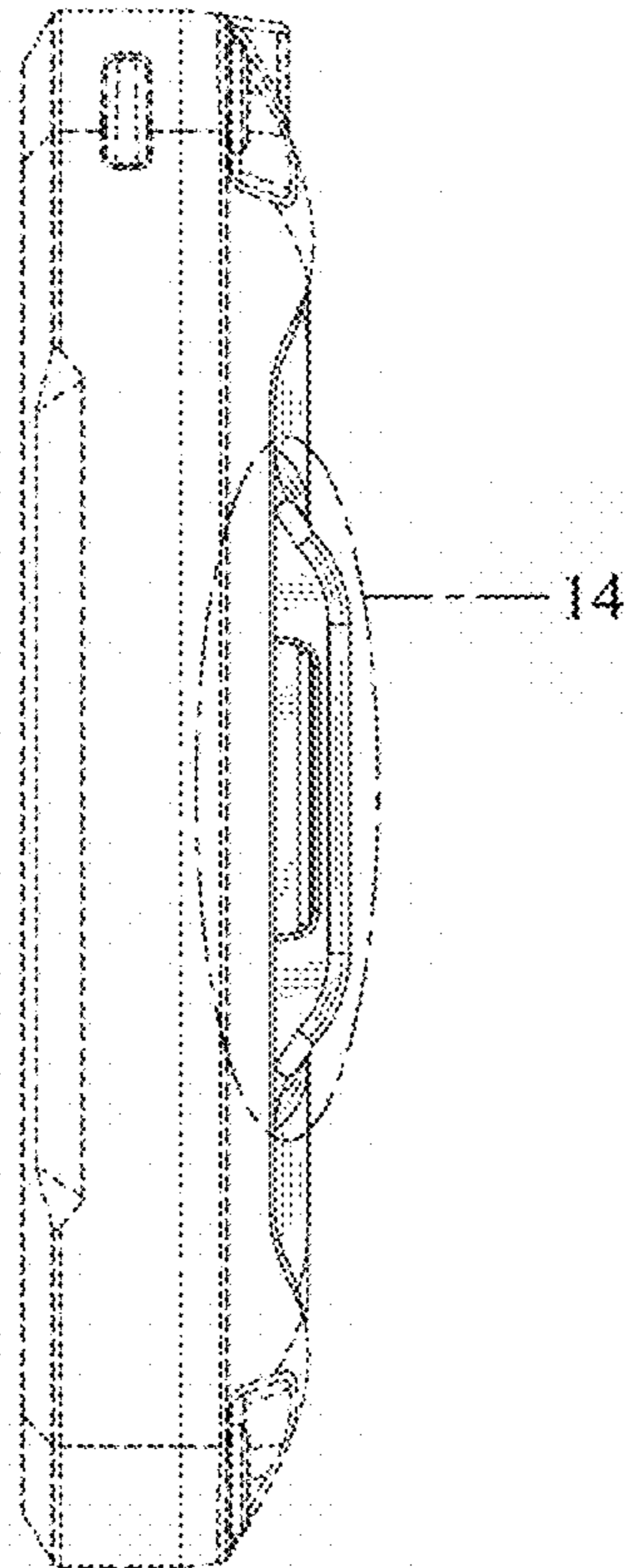


FIG. 6



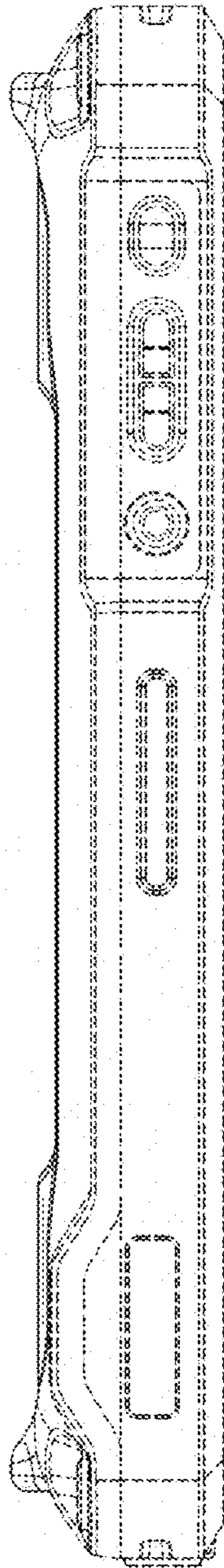


FIG. 7

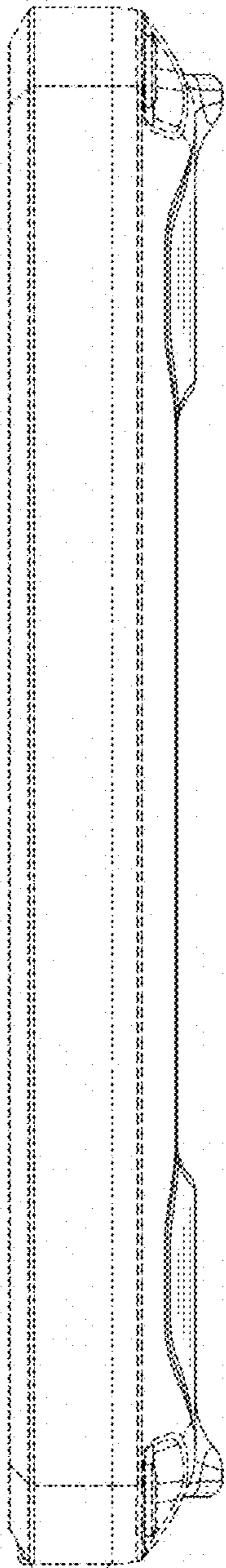


FIG. 8

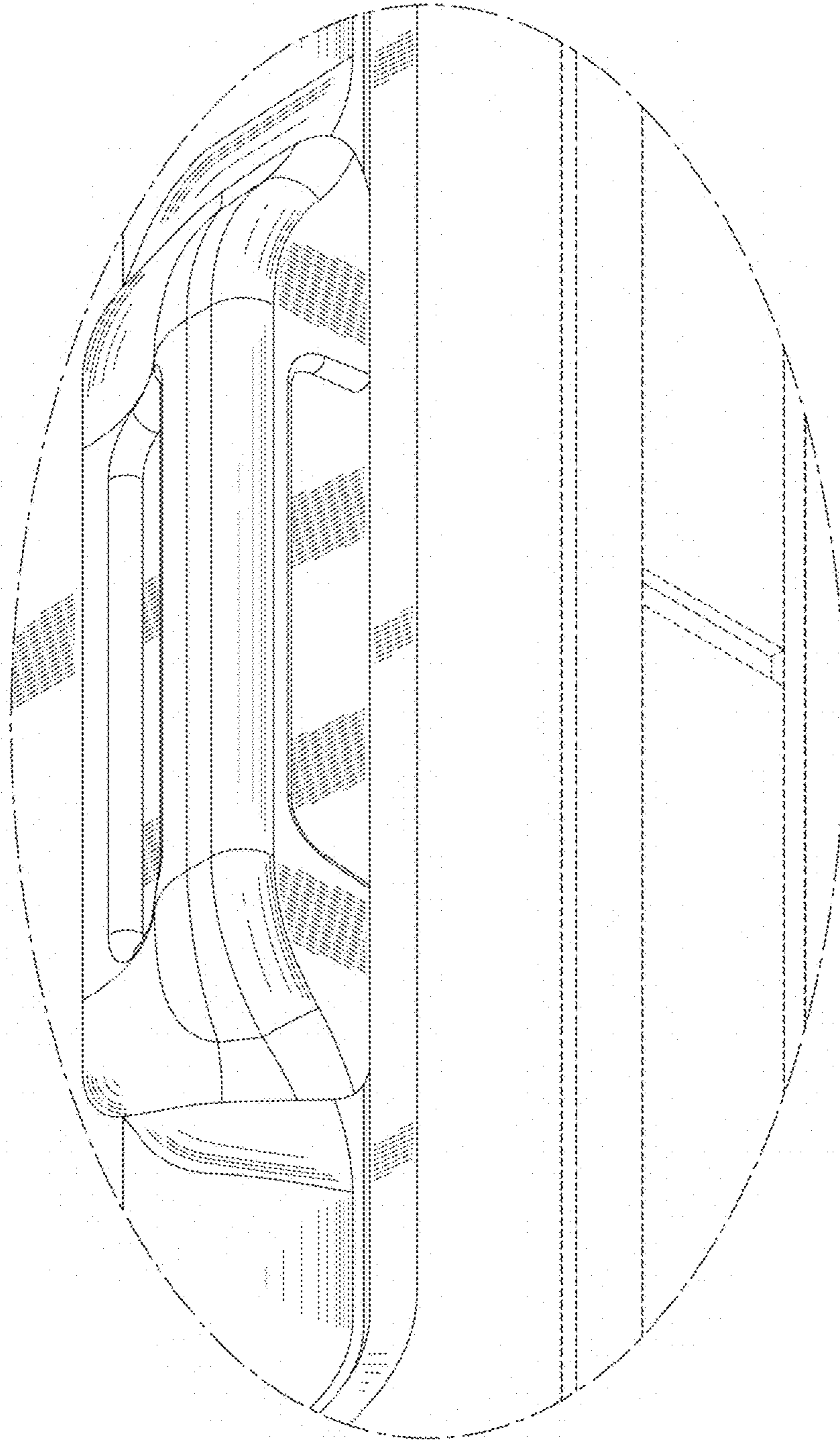


FIG. 9

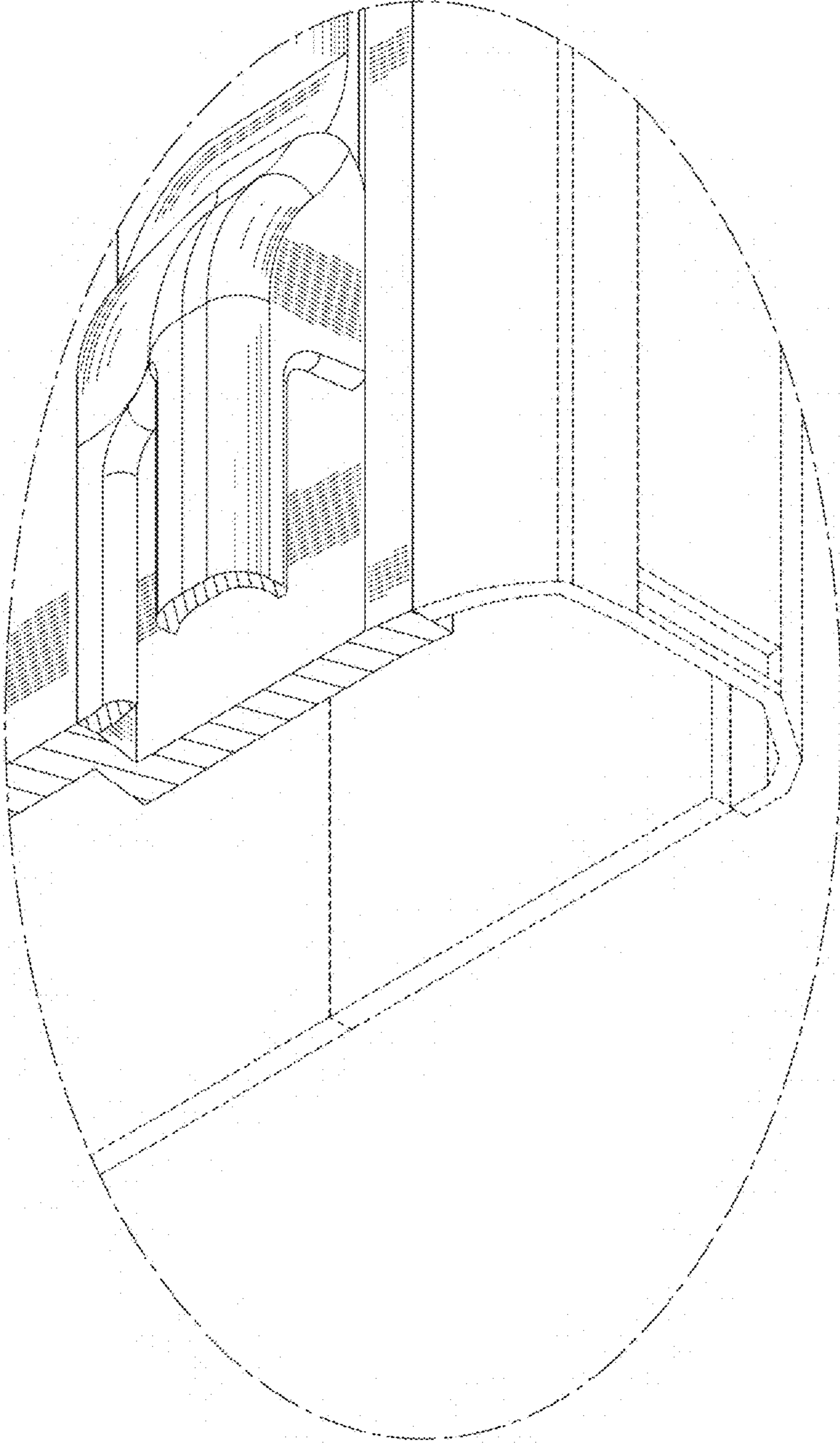


FIG. 10

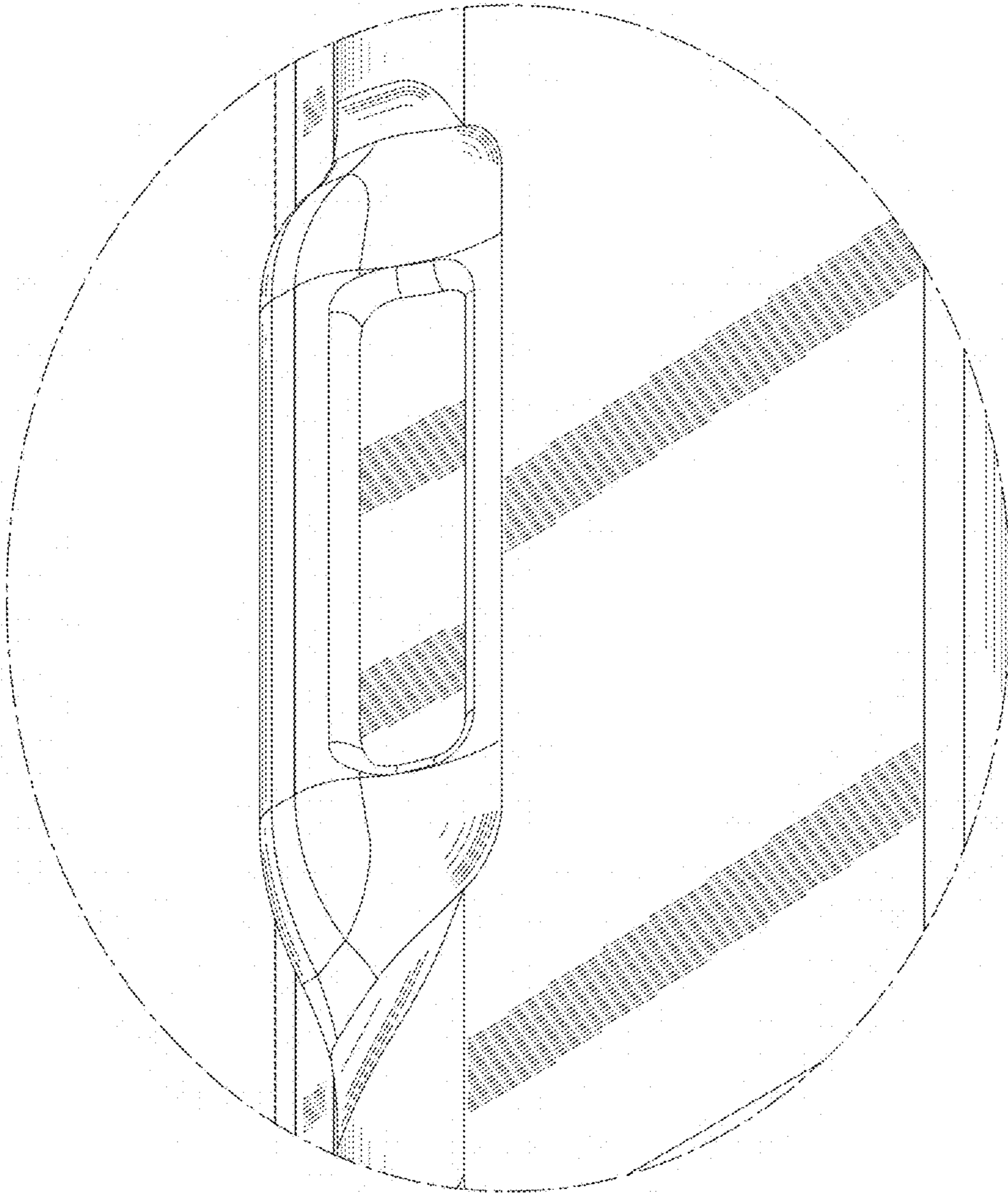


FIG. 11

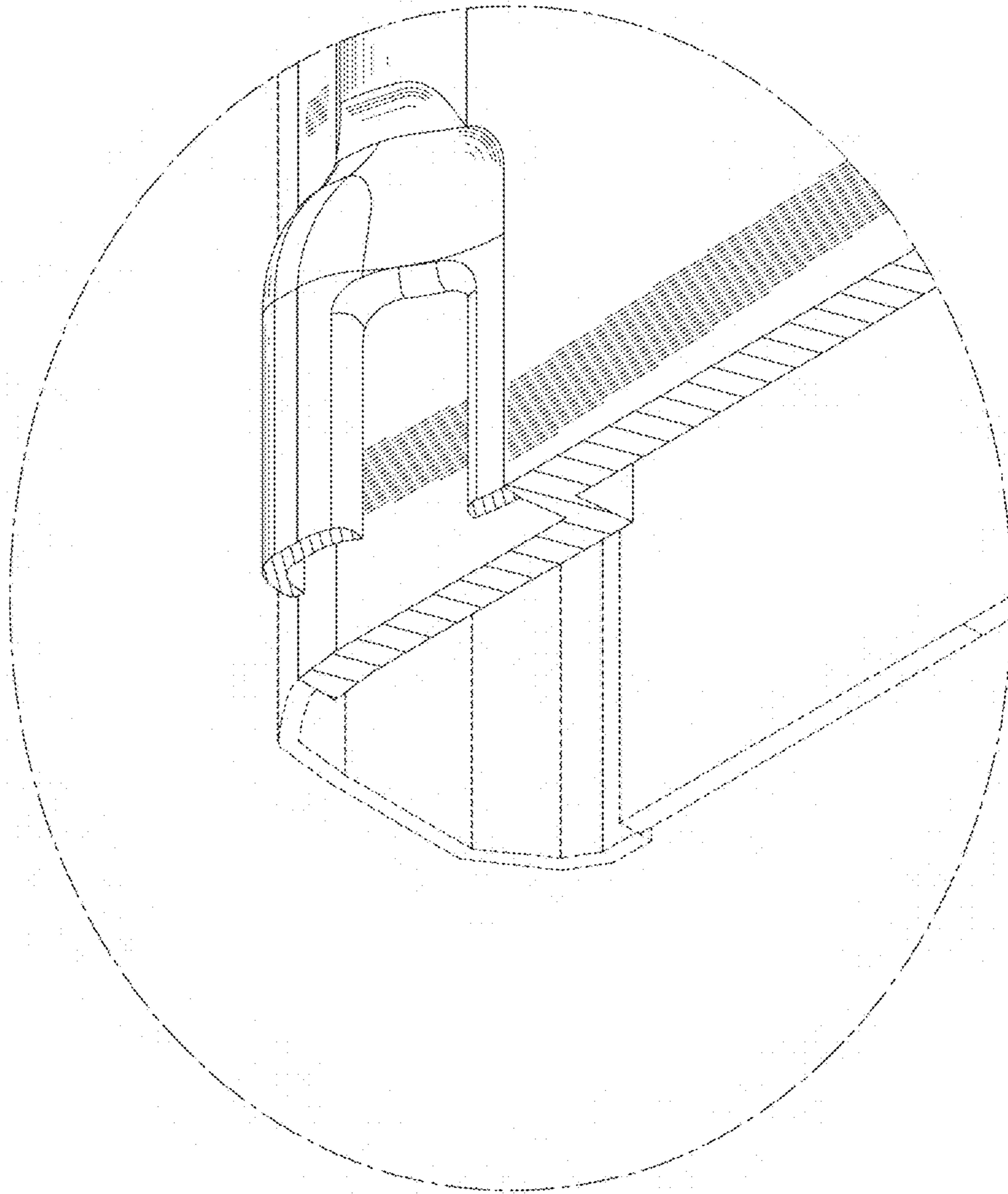


FIG. 12

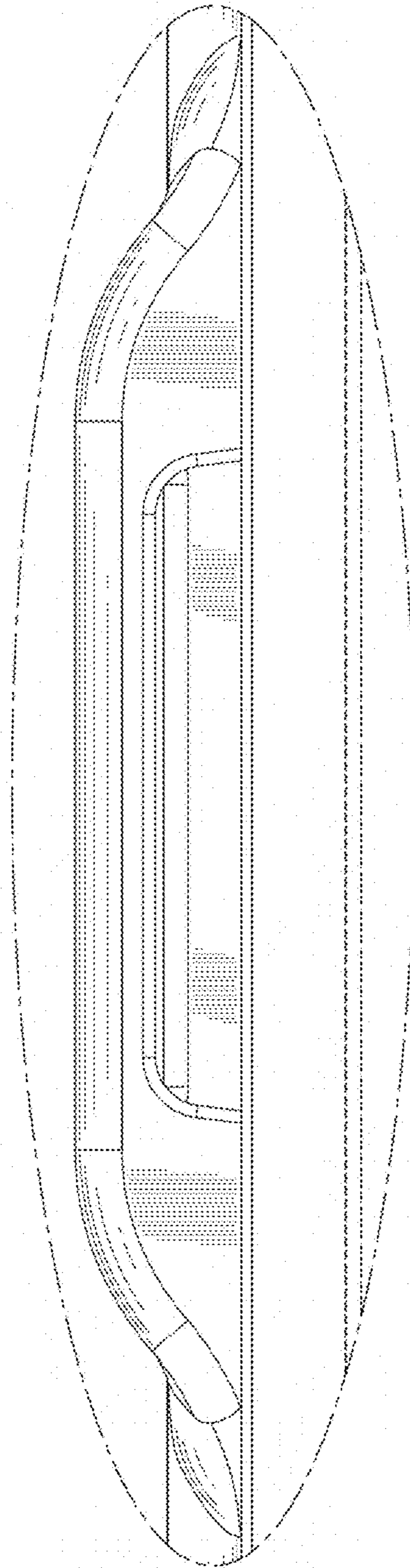


FIG. 13

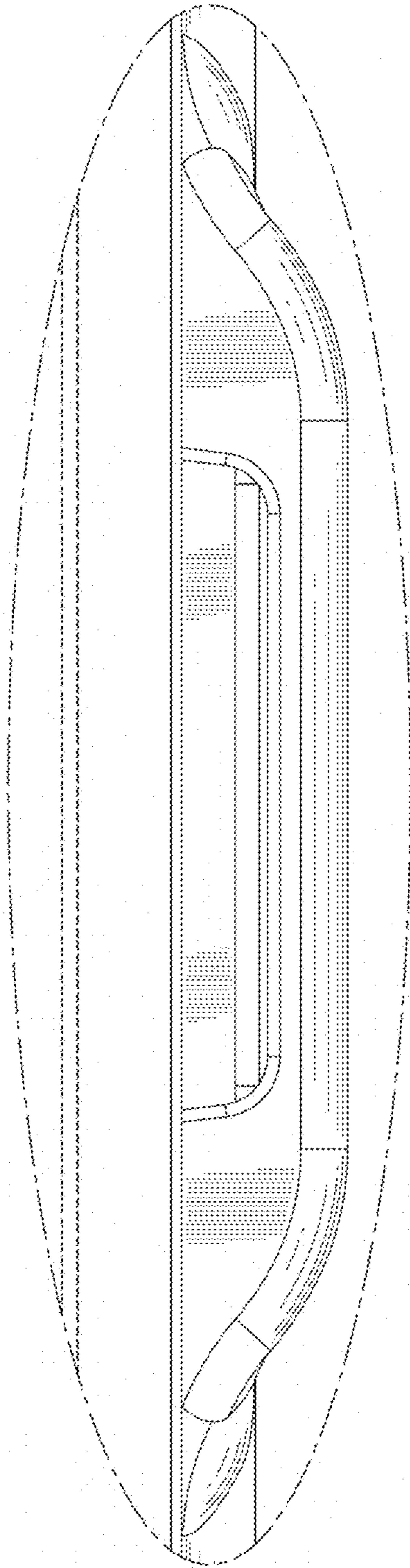


FIG. 14