



US00D822011S

(12) **United States Design Patent**
Namala

(10) **Patent No.:** **US D822,011 S**
(45) **Date of Patent:** **** Jul. 3, 2018**

(54) **BRACKET FOR TV MOUNTING**

(71) Applicant: **QualGear LLC**, Plano, TX (US)

(72) Inventor: **Ramesh Namala**, Plano, TX (US)

(73) Assignee: **Qualgear, LLC**, Plano, TX (US)

(**) Term: **15 Years**

(21) Appl. No.: **29/619,155**

(22) Filed: **Sep. 27, 2017**

(51) **LOC (11) Cl.** **14-03**

(52) **U.S. Cl.**
USPC **D14/239**

(58) **Field of Classification Search**
USPC D14/239, 371, 136, 374-377; D8/363,
D8/373, 349, 394; 248/465, 917-924,
248/123.11; 348/825, 827, 836, 837, 838,
348/180, 184, 325, 739; 600/443;
D6/477-479, 407, 474, 460, 461, 468;
312/7.2; 341/12; 345/87, 104, 133, 156,
345/168, 169, 173; 720/605, 669, 600,
720/655; 369/99, 197; 455/344-347;
349/1, 2, 11, 62; 108/59, 91, 92, 96;
211/40, 41.12, 42, 49.1, 50, 85.2, 90.04,
211/187, 190, 119.003, 134.153, 87.01,
211/71.01

CPC A47B 43/00; G03B 1/00
See application file for complete search history.

(56) **References Cited**

U.S. PATENT DOCUMENTS

D634,739	S	*	3/2011	Molter	D14/239
D636,765	S	*	4/2011	Molter	D14/239
D640,672	S	*	6/2011	Molter	D14/239
D652,030	S	*	1/2012	Dolack	D14/239
D662,104	S	*	6/2012	Brandt	D14/452
D682,258	S	*	5/2013	Anderson	D14/239
D693,799	S	*	11/2013	Badillo	D14/247
D700,593	S	*	3/2014	Xiang	D14/239
8,827,226	B2	*	9/2014	Townsend	F16M 11/10 220/3.5

* cited by examiner

Primary Examiner — Randall H Gholson

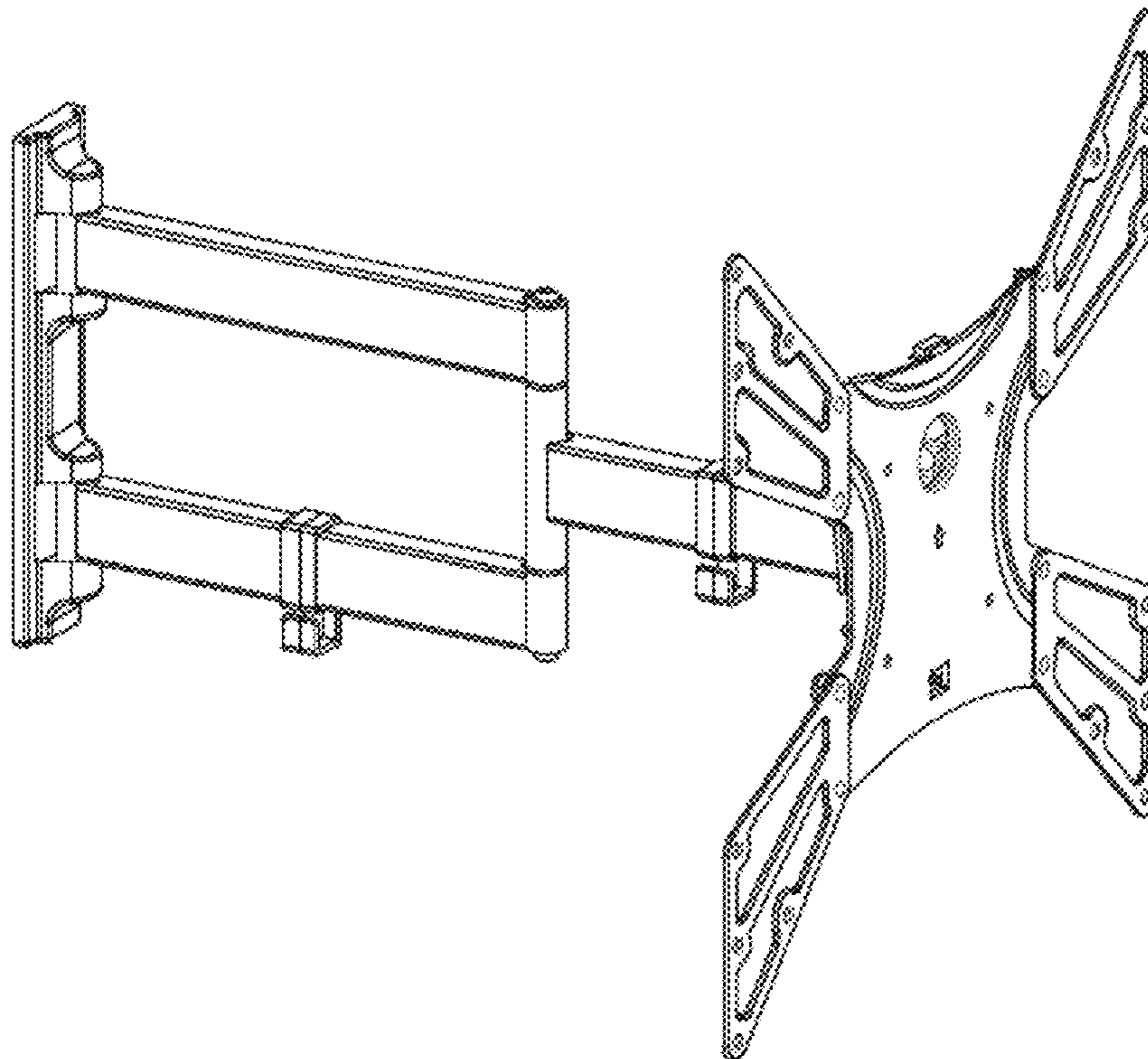
(57) **CLAIM**

I claim the ornamental design for a bracket for TV mounting, as shown and described.

DESCRIPTION

FIG. 1 is top, front, left side perspective view thereof; and, FIG. 2 is a front view thereof. Features of this design include a unique shape, especially shown in the front view thereof. This shape is near the screw holes of the bracket.

1 Claim, 2 Drawing Sheets



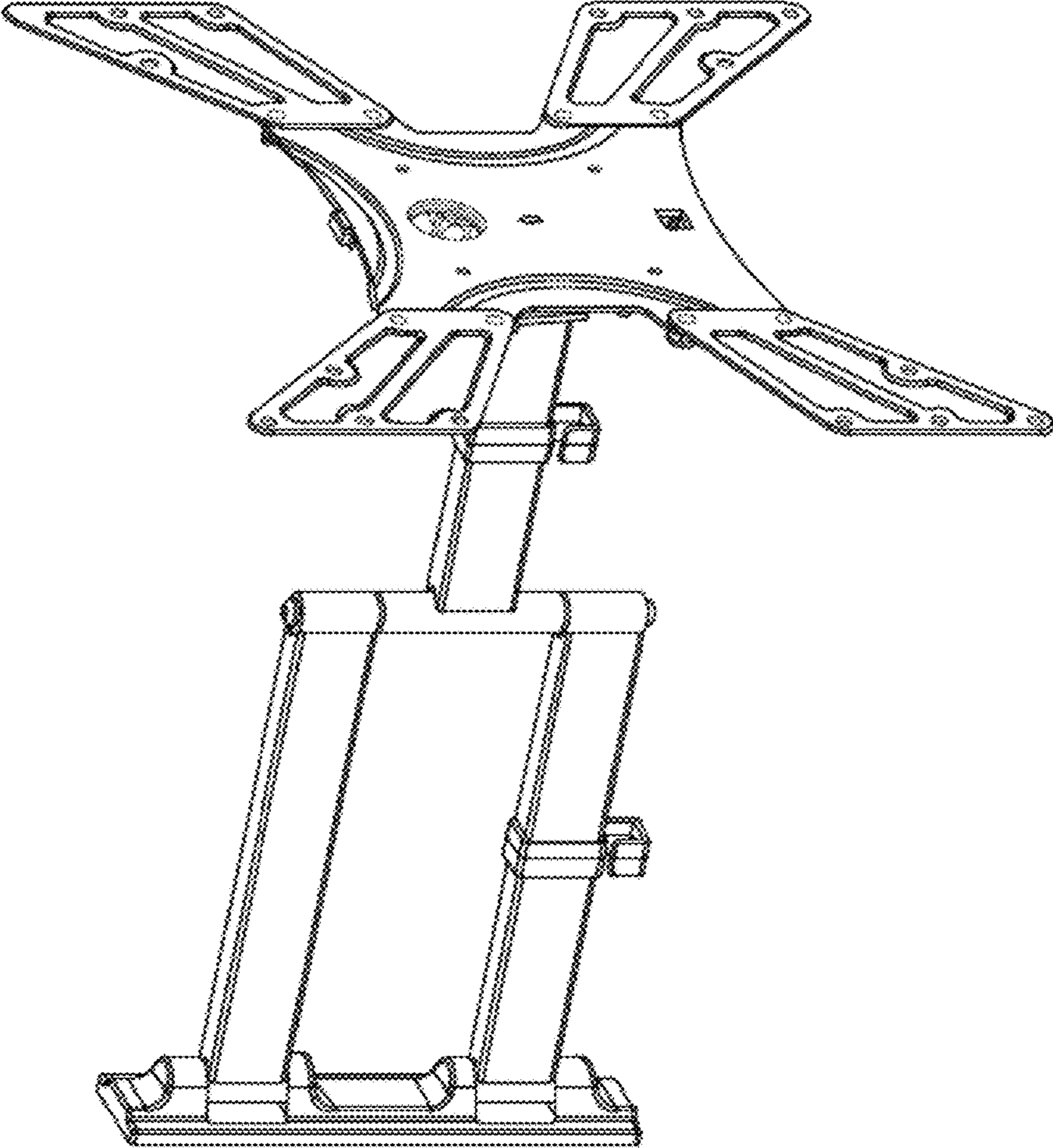


FIG. 1

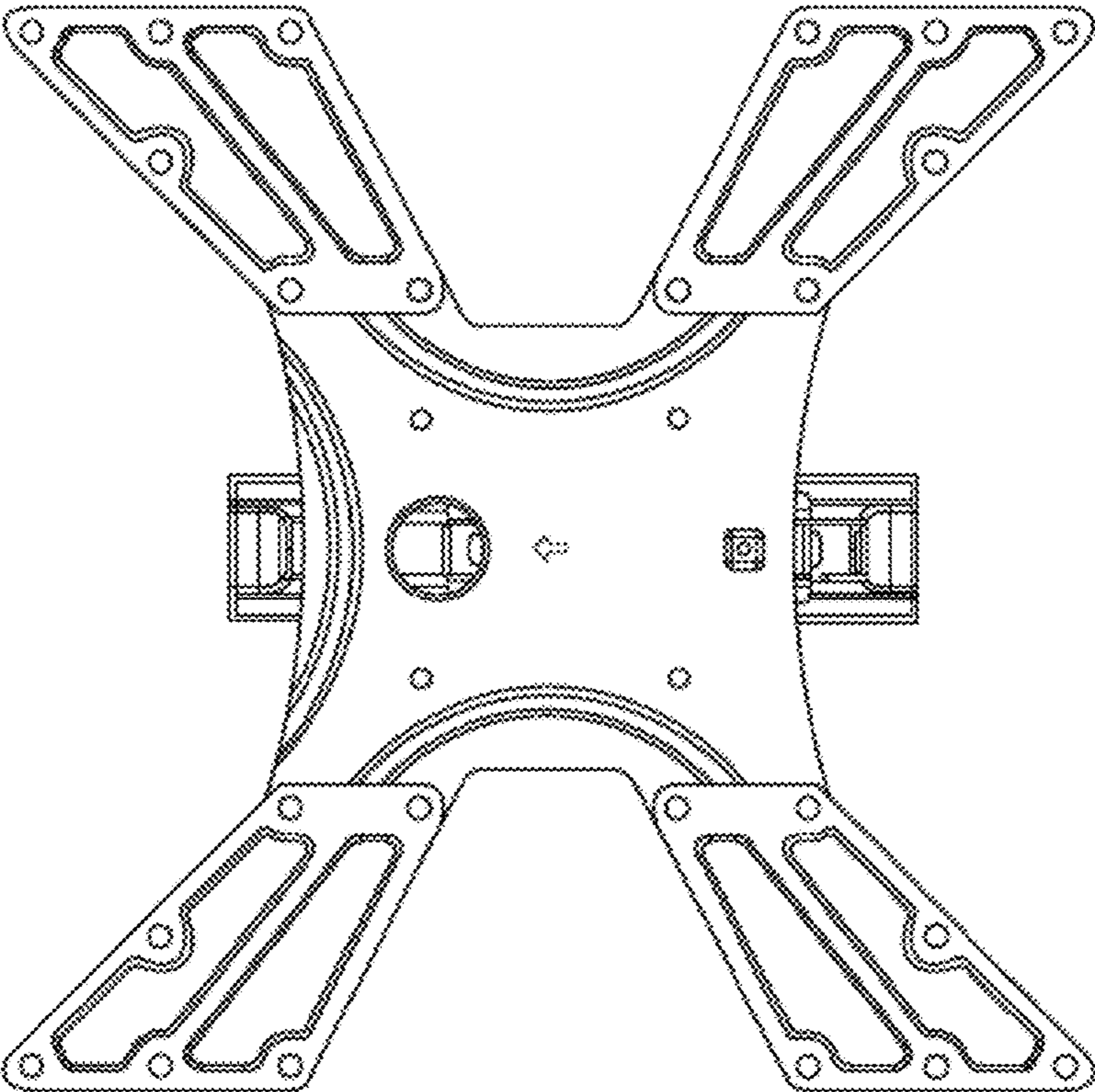


FIG. 2