



US00D822009S

(12) **United States Design Patent**
Matoba et al.

(10) **Patent No.:** **US D822,009 S**
(45) **Date of Patent:** **** Jul. 3, 2018**

(54) **EARPHONE**

(71) Applicant: **AUDIO-TECHNICA CORPORATION**, Tokyo (JP)

(72) Inventors: **Hiroyuki Matoba**, Kanagawa (JP);
Shohei Araki, Kanagawa (JP)

(73) Assignee: **Audio-Technica Corporation**, Tokyo (JP)

(**) Term: **15 Years**

(21) Appl. No.: **29/597,305**

(22) Filed: **Mar. 16, 2017**

(30) **Foreign Application Priority Data**

Sep. 20, 2016 (JP) 2016-020291

(51) **LOC (11) Cl.** **14-01**

(52) **U.S. Cl.**
USPC **D14/223**; D14/205

(58) **Field of Classification Search**
USPC D14/223, 205; 181/129, 130, 135;
379/430, 431; 381/380, 381, 322, 330,
381/378, 370, 353, 372, 373; 455/90.3,
455/575.1, 569.1
CPC H04R 1/10; H04R 25/00; H04R 25/02;
H04R 1/1058; H04R 1/1016; H04R
25/65; H04R 1/20; H04R 1/105; H04R
1/1091
See application file for complete search history.

(56) **References Cited**

U.S. PATENT DOCUMENTS

- 5,410,608 A * 4/1995 Lucey H04R 1/083
381/360
- 6,574,345 B1 * 6/2003 Huang H04R 1/1016
379/430
- D542,782 S * 5/2007 Pena Angarita D14/223

- D554,627 S * 11/2007 Gondo D14/223
- D555,152 S * 11/2007 Wang D14/223
- D567,217 S * 4/2008 Kamo D14/205
- D569,841 S * 5/2008 Chung D14/205
- D572,703 S * 7/2008 Ledbetter D14/205
- D576,154 S * 9/2008 Ledbetter D14/223
- D587,681 S * 3/2009 Yanai D14/205
- D587,685 S * 3/2009 Densho D14/206
- D589,493 S * 3/2009 Densho D14/206
- D594,441 S * 6/2009 Lee D14/205
- D598,894 S * 8/2009 Masuda D14/205
- D599,778 S * 9/2009 Ando D14/205
- D602,475 S * 10/2009 Martin D14/223
- D618,211 S * 6/2010 Oguro D14/205
- D627,764 S * 11/2010 Tsai D14/223
- D628,193 S * 11/2010 Zheng D14/223
- D628,564 S * 12/2010 Chong D14/223
- D629,395 S * 12/2010 Lee D14/223
- D637,181 S * 5/2011 Fuller D14/223
- D643,416 S * 8/2011 Chong D14/223
- D653,236 S * 1/2012 Andre D14/205

(Continued)

Primary Examiner — Paula Allen Greene

(74) *Attorney, Agent, or Firm* — W&C IP

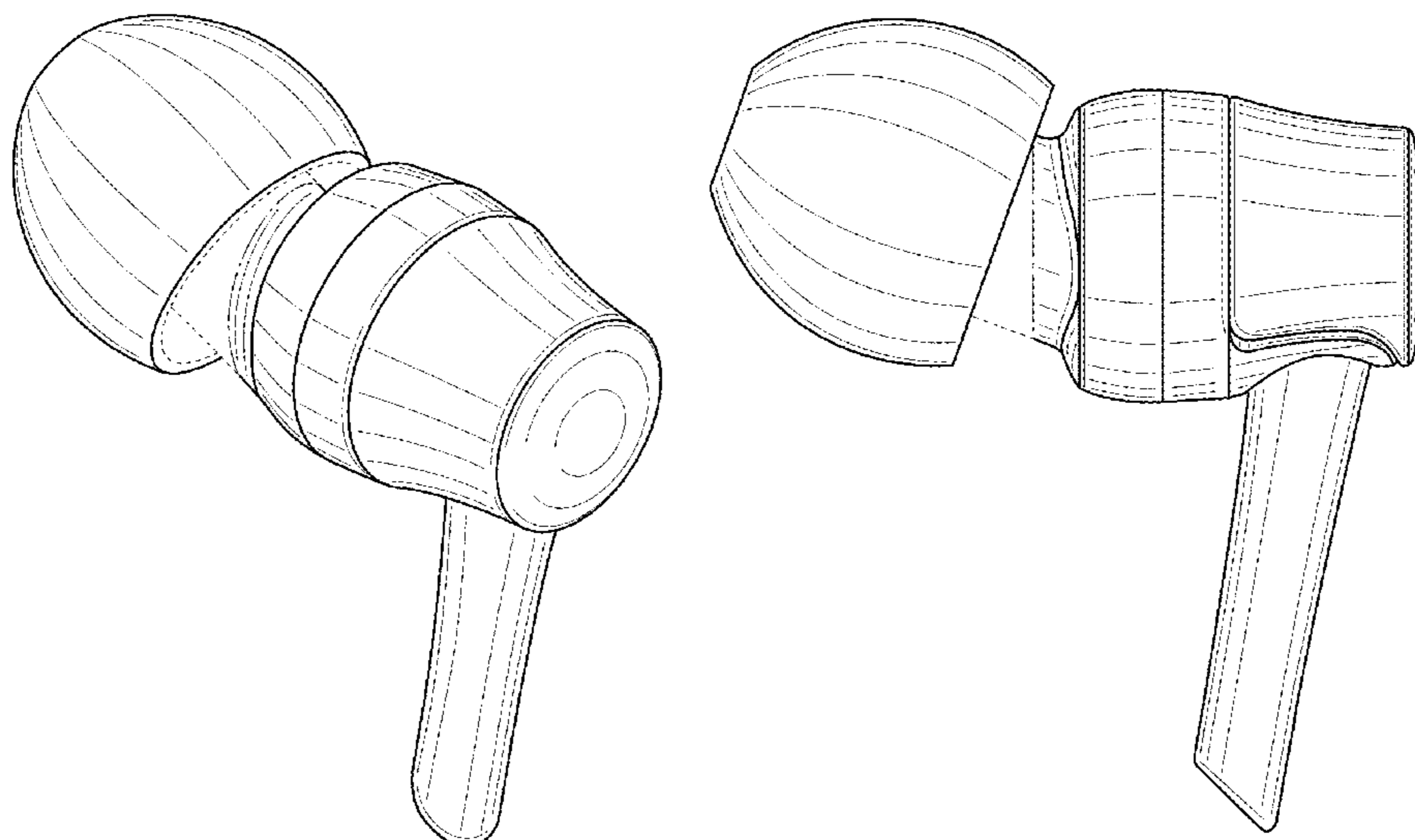
(57) **CLAIM**

We claim the ornamental design for an earphone, as shown and described.

DESCRIPTION

FIG. 1 is a front side perspective view of an earphone; FIG. 2 is a rear side perspective view of the earphone; FIG. 3 is a front elevational view of the earphone; FIG. 4 is a rear elevational view of the earphone; FIG. 5 is a left side elevational view of the earphone; FIG. 6 is a right side elevational view of the earphone; FIG. 7 is a top plan view of the earphone; and, FIG. 8 is a bottom plan view of the earphone. Portions of the drawings shown in broken lines form no part of the claimed design. The dot dash line represents a boundary of the claim and forms no part thereof.

1 Claim, 8 Drawing Sheets



(56)

References Cited

U.S. PATENT DOCUMENTS

D660,290	S *	5/2012	Weedon	D14/223
D674,377	S *	1/2013	Schaefer	D14/223
D676,427	S *	2/2013	Yang	D14/223
8,391,536	B2 *	3/2013	Hashimoto	H04R 1/1016 381/370
D680,102	S *	4/2013	Chen	D14/223
D685,767	S *	7/2013	Kelly	D14/223
D710,334	S *	8/2014	Yang	D14/223
D718,286	S *	11/2014	Yang	D14/223
D784,298	S *	4/2017	Ozawa	D14/223
D784,962	S *	4/2017	Yang	D14/223
D786,221	S *	5/2017	Stoch	D14/223
D802,562	S *	11/2017	Baba	D14/223
D806,685	S *	1/2018	Park	D14/223
2008/0044003	A1 *	2/2008	Yang	H04R 1/1016 379/430
2011/0317864	A1 *	12/2011	Kaneko	H04R 1/1066 381/380
2012/0057738	A1 *	3/2012	Lin	H04R 1/1091 381/370
2013/0170692	A1 *	7/2013	Kaneko	H04R 1/1016 381/380
2014/0205125	A1 *	7/2014	Triato	H04R 1/1066 381/330
2016/0205458	A1 *	7/2016	Huang	H04R 1/1016 381/380

* cited by examiner

FIG. 1

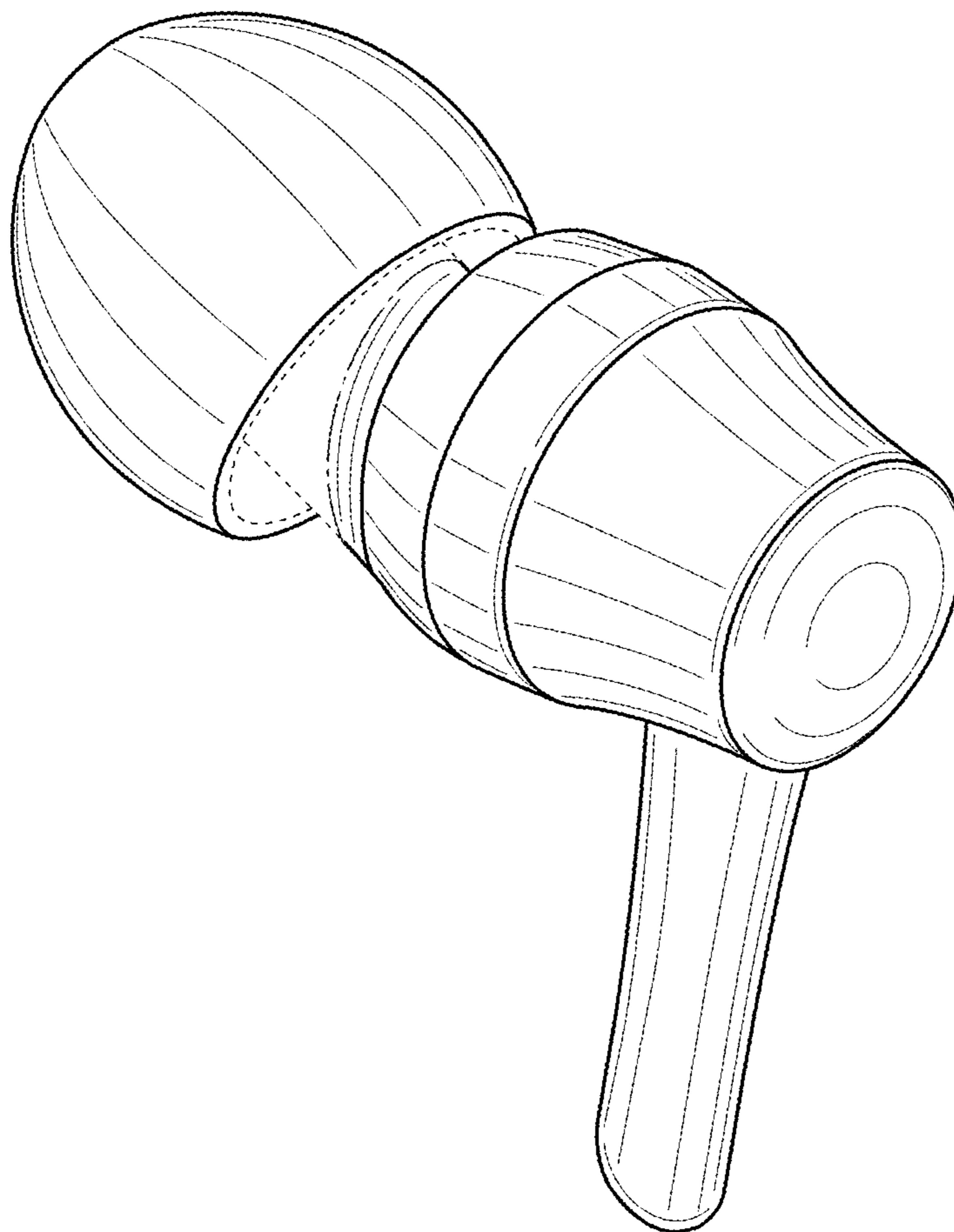


FIG. 2

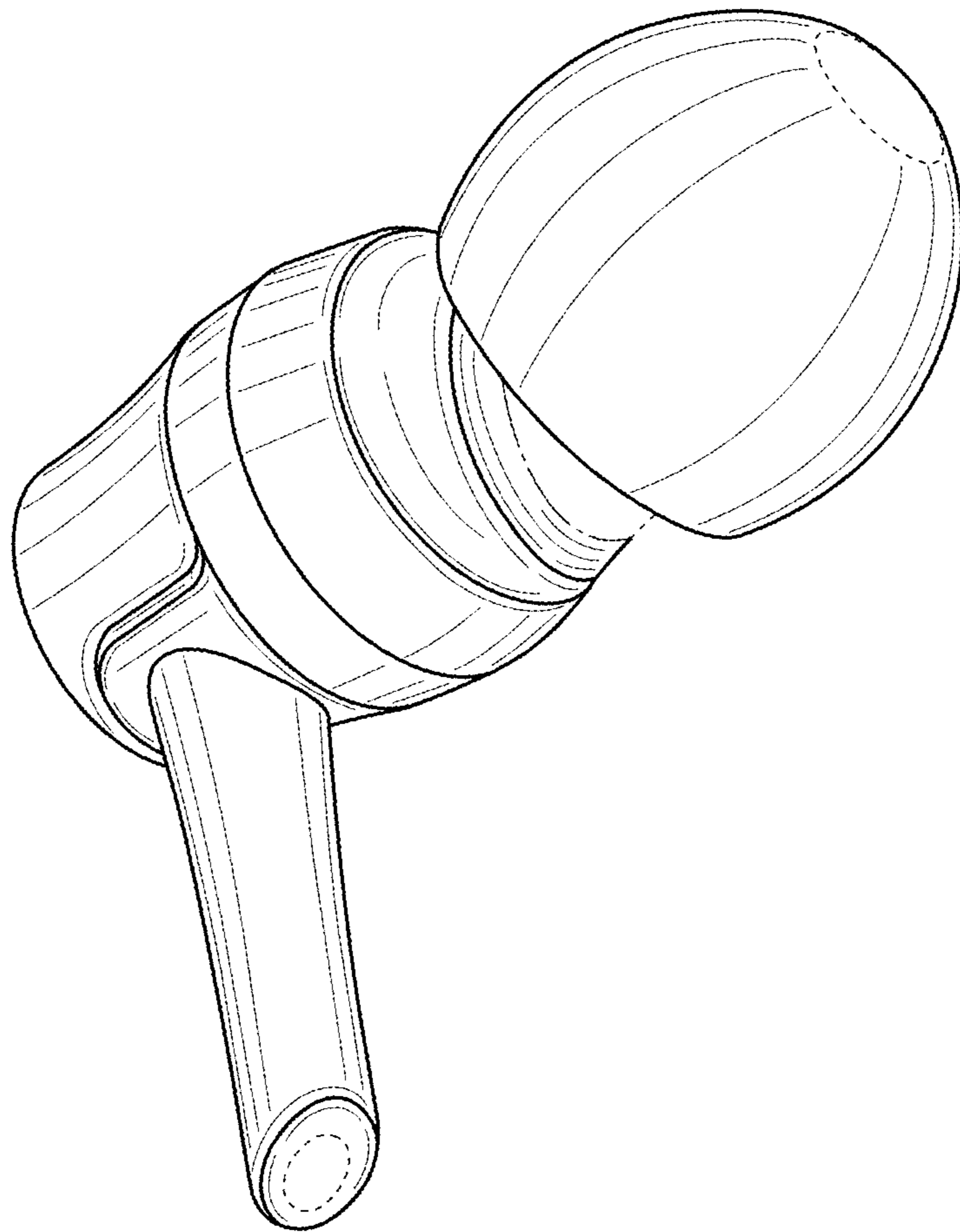


FIG. 3

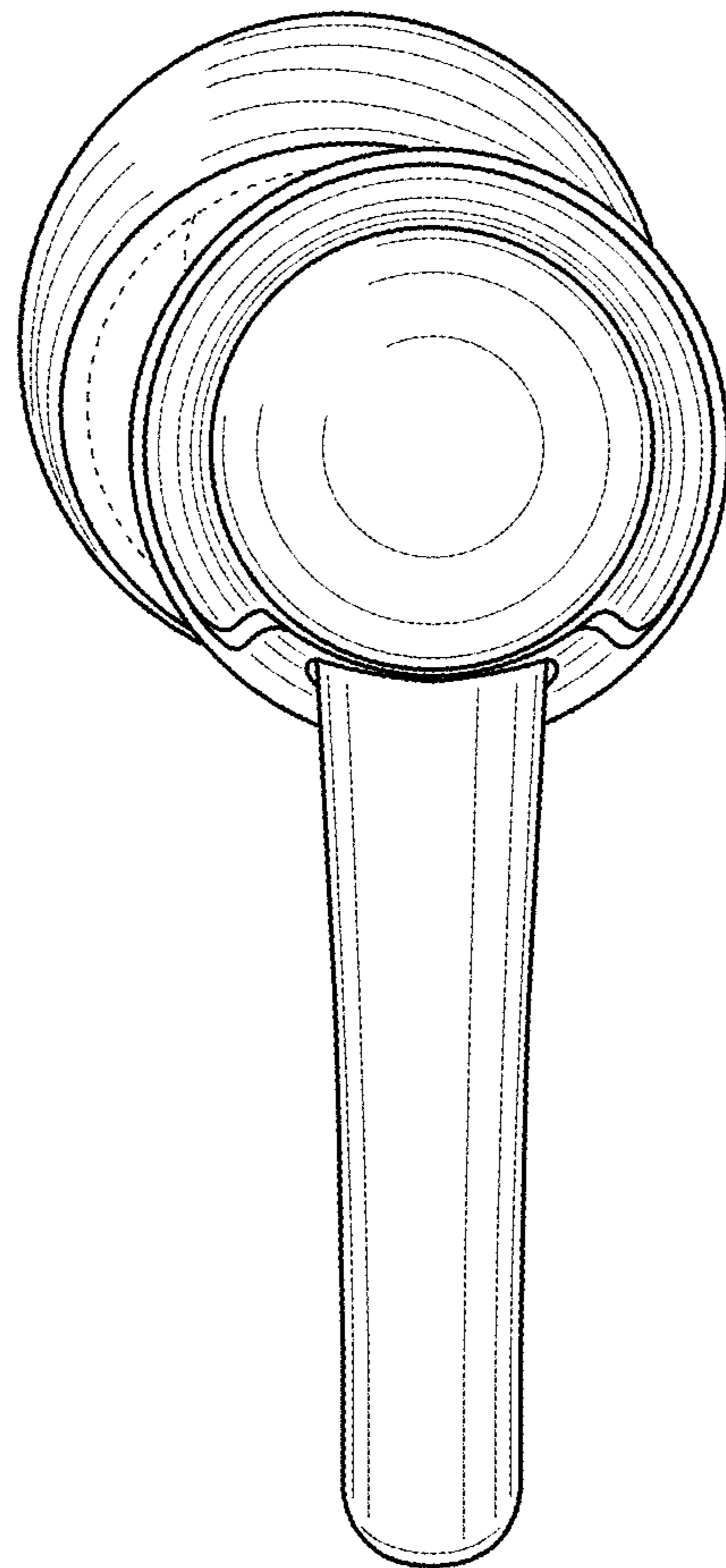


FIG. 4

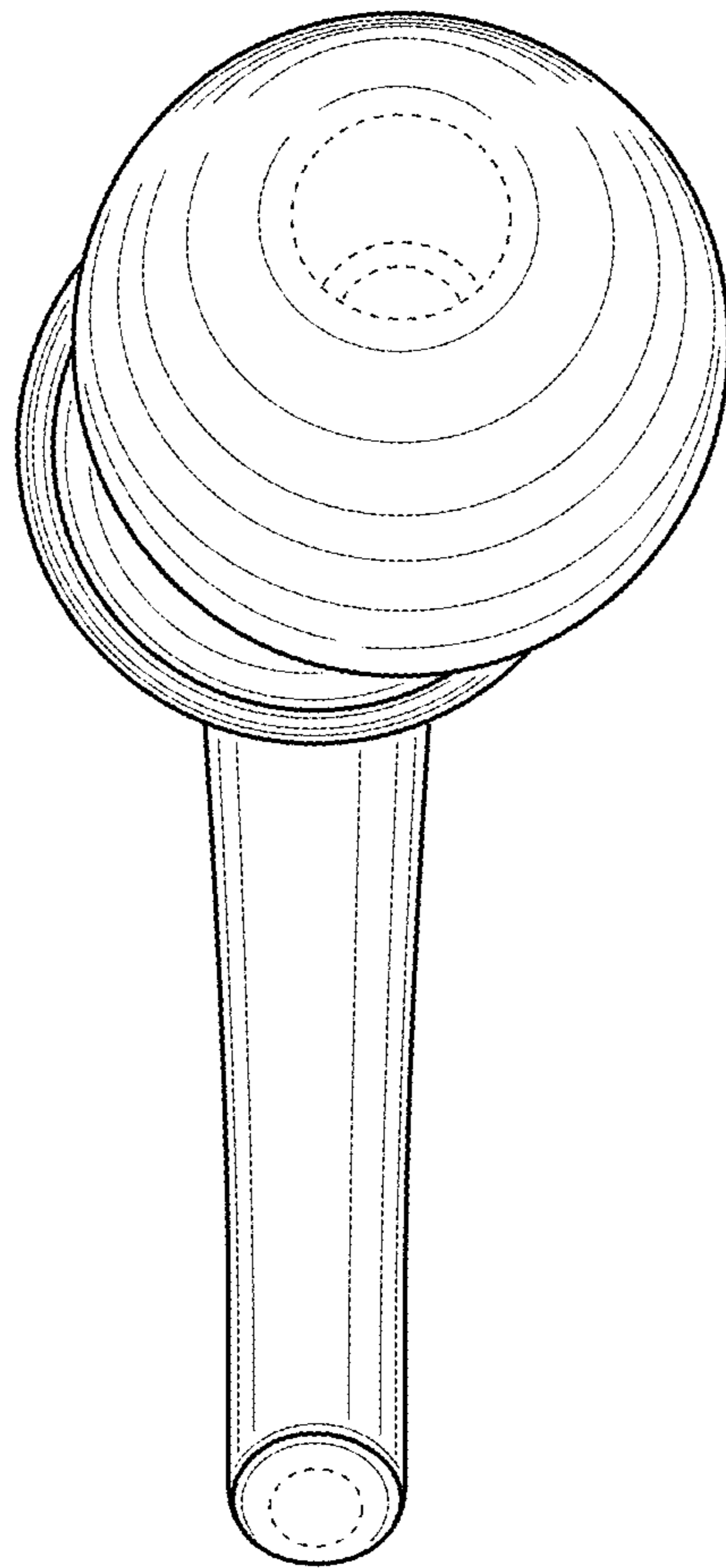


FIG. 5

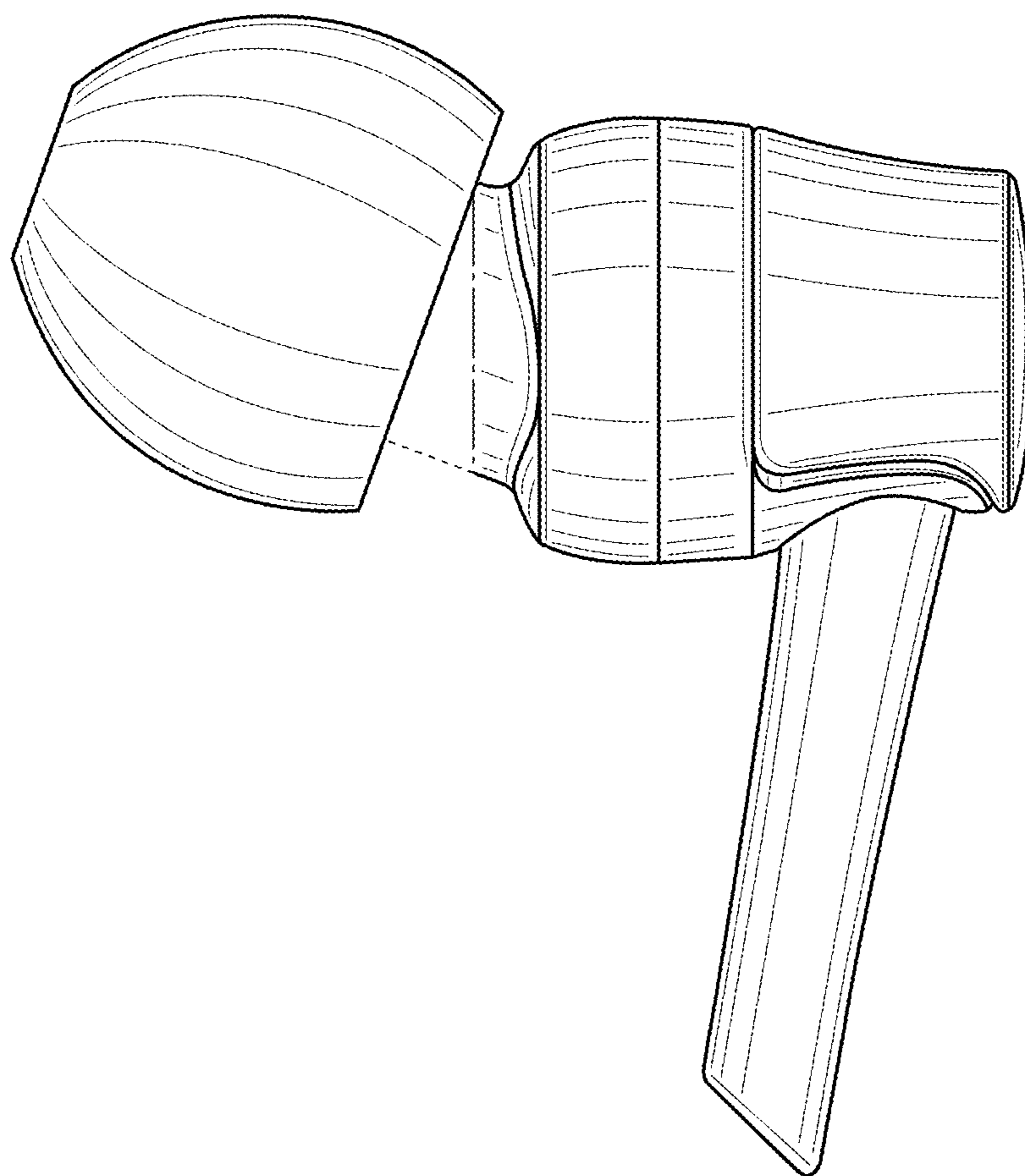


FIG. 6

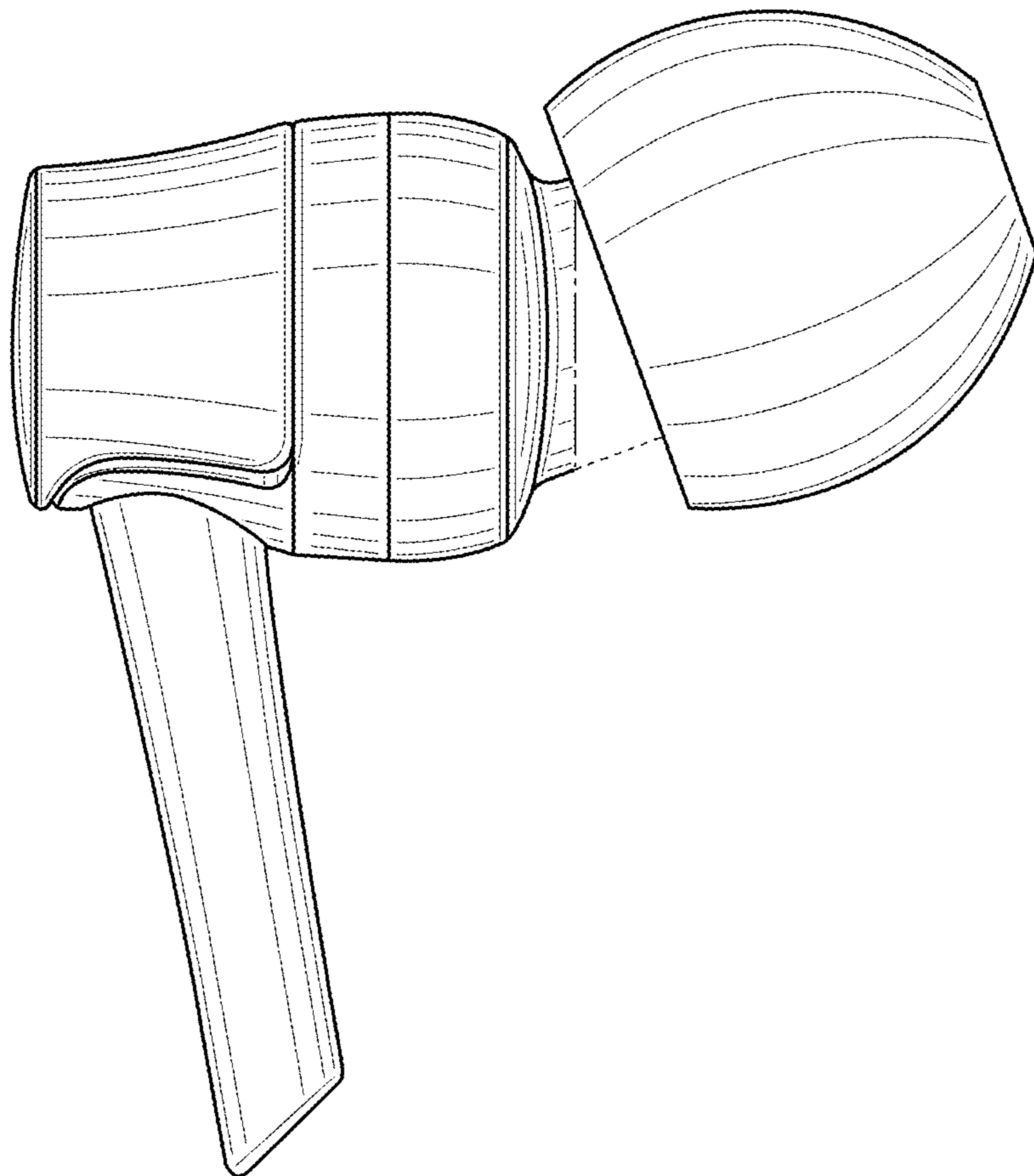


FIG. 7

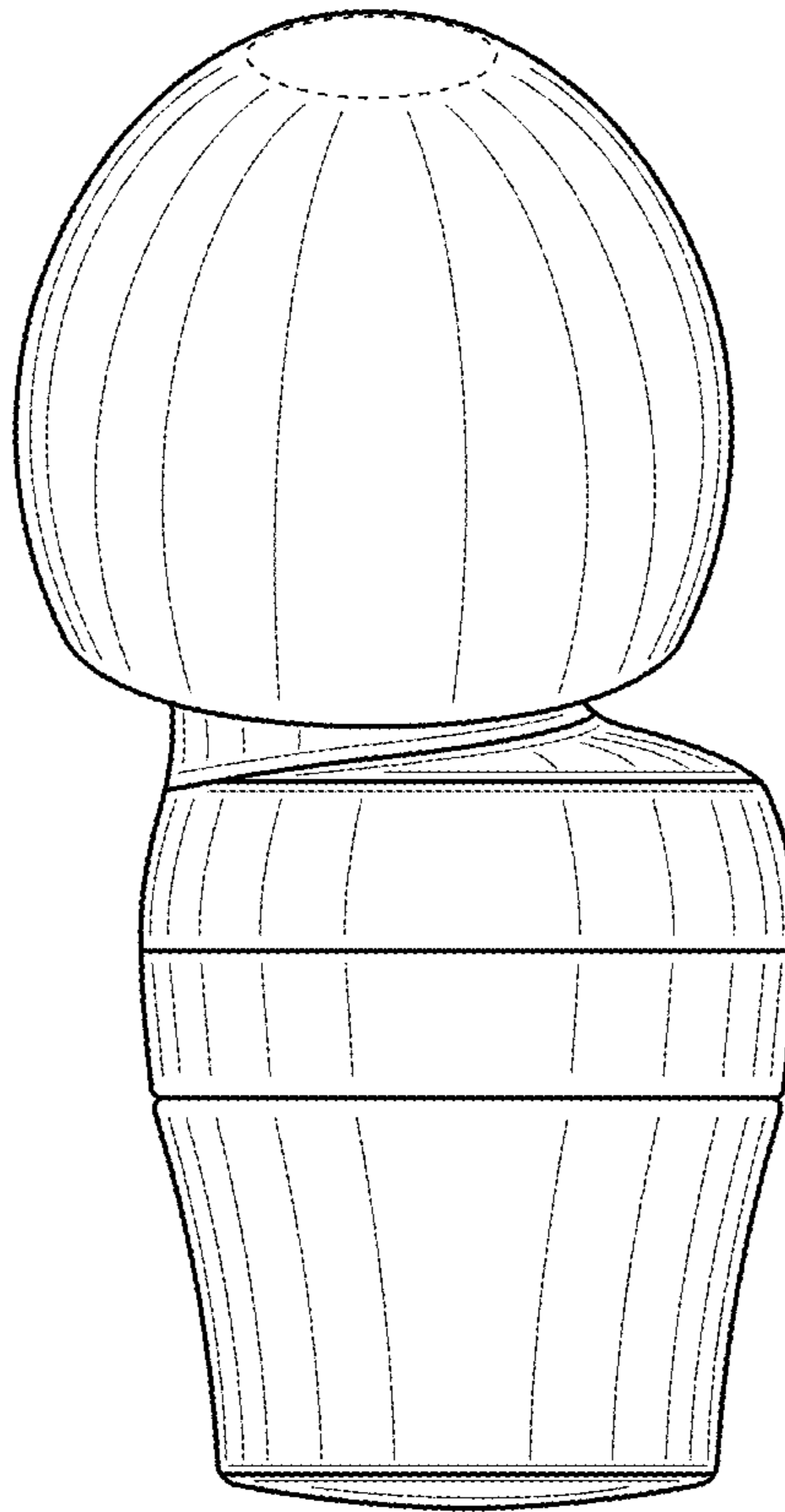


FIG. 8

