



US00D822008S

(12) **United States Design Patent**
Tsubone et al.

(10) **Patent No.:** **US D822,008 S**
(45) **Date of Patent:** **** Jul. 3, 2018**

(54) **EARPHONE**

(71) Applicant: **AUDIO-TECHNICA CORPORATION, Tokyo (JP)**

(72) Inventors: **Kodai Tsubone, Tokyo (JP); Shohei Araki, Kanagawa (JP)**

(73) Assignee: **AUDIO-TECHNICA CORPORATION, Tokyo (JP)**

(**) Term: **15 Years**

(21) Appl. No.: **29/596,696**

(22) Filed: **Mar. 10, 2017**

(30) **Foreign Application Priority Data**

Sep. 13, 2016 (JP) 2016-019808

(51) **LOC (11) Cl.** **14-01**

(52) **U.S. Cl.**
USPC **D14/223**

(58) **Field of Classification Search**
USPC D14/223, 205, 218; D24/174; D13/168;
128/864; 181/129, 130, 135; 379/430,
379/431; 381/380, 381, 74, 330, 378,
381/328, 322; 455/90.3, 569.1, 575.1;
D1/102, 125, 127, 122; 249/91, 92, 97;
426/76, 101, 540
CPC H04R 1/10; H04R 1/1075; H04R 1/24;
H04R 1/1016; H04R 25/02; H04R 25/00;
H04R 11/02; H04R 1/1008; H04R 5/033;
H04R 5/0335

See application file for complete search history.

(56) **References Cited**

U.S. PATENT DOCUMENTS

D106,823 S * 11/1937 Sears D24/174
D127,460 S * 5/1941 McCall D1/127

2,248,837 A * 7/1941 Walters H04R 25/652
181/130
3,061,689 A * 10/1962 McCarrell H04R 25/45
381/328
3,209,082 A * 9/1965 McCarrell H04R 25/02
381/328
3,270,146 A * 8/1966 Eberhard H04R 25/60
338/308
D206,665 S * 1/1967 Sanzone D24/174
D207,209 S * 3/1967 Geib 381/312
D207,222 S * 3/1967 Geib 381/312
D212,542 S * 10/1968 McCarthy D1/199
D213,109 S * 1/1969 Young D24/174
3,440,365 A * 4/1969 Hazell H04M 1/05
379/430
D251,234 S * 3/1979 Hakansson D10/46
D266,271 S * 9/1982 Johanson D24/174
D273,707 S * 5/1984 McCall 381/328

(Continued)

Primary Examiner — Paula Allen Greene

(74) *Attorney, Agent, or Firm* — Whitham, Curtis & Cook, P.C.

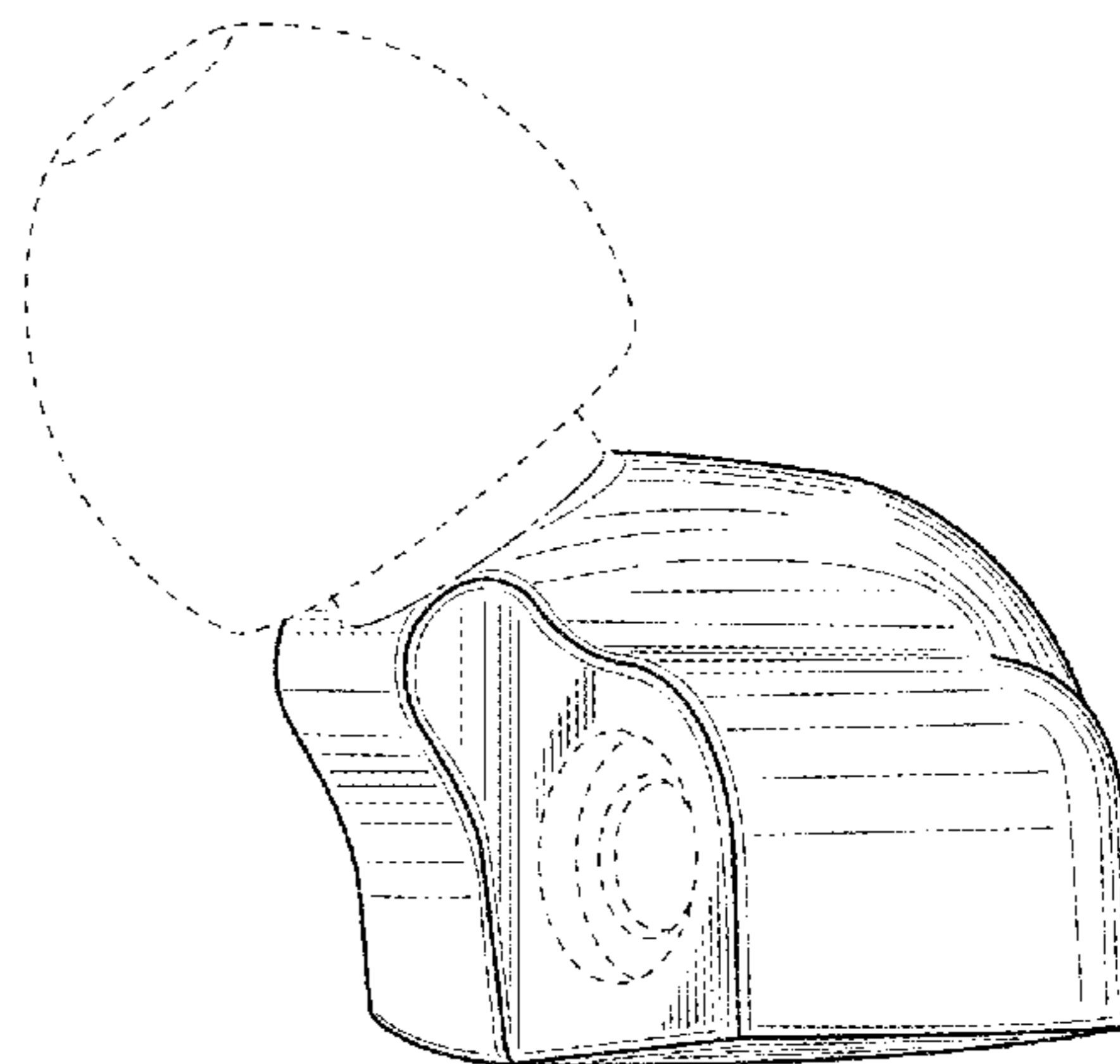
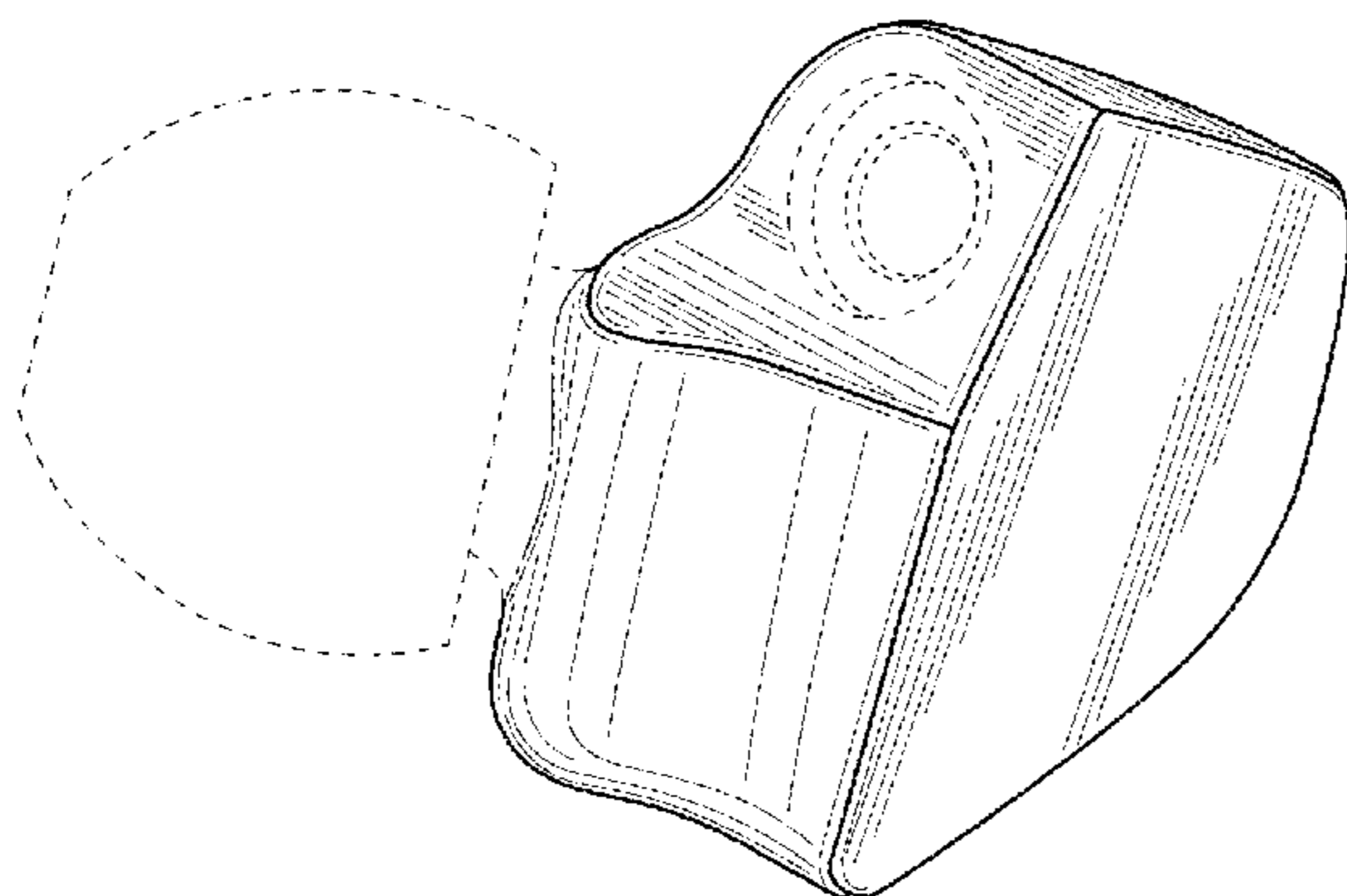
(57) **CLAIM**

We claim the ornamental design for an earphone, as shown and described.

DESCRIPTION

FIG. 1 is a front side perspective view of an earphone; FIG. 2 is a rear side perspective view of the earphone; FIG. 3 is a front elevational view of the earphone; FIG. 4 is a rear elevational view of the earphone; FIG. 5 is a top plan view of the earphone; FIG. 6 is a bottom plan view of the earphone; FIG. 7 is a left side elevational view of the earphone; and, FIG. 8 is a right side elevational view of the earphone. Portions of the drawings shown in broken lines form no part of the claimed design. The dot dash line represents a boundary of the claim and forms no part thereof.

1 Claim, 8 Drawing Sheets



(56)

References Cited

U.S. PATENT DOCUMENTS

4,783,822 A * 11/1988 Toole H04M 1/05
2/209
D338,530 S * 8/1993 Oberlander D24/174
D367,113 S * 2/1996 Weeks D24/174
D371,133 S * 6/1996 Andrea D14/206
5,659,156 A * 8/1997 Mauney H04R 1/1016
181/130
D457,514 S * 5/2002 Marion D14/223
6,386,314 B1 * 5/2002 Sheehan A61B 5/12
181/129
6,445,805 B1 * 9/2002 Grugel H04R 5/0335
181/129
D468,301 S * 1/2003 Fushimi D14/223
6,902,029 B2 * 6/2005 Weise A42B 3/166
128/867
D510,337 S * 10/2005 Tages D14/205
D516,541 S * 3/2006 Bhavnani D14/192
D529,612 S * 10/2006 Feeley D24/174
D566,099 S * 4/2008 Komiyama D14/206
D574,814 S * 8/2008 Hammond D14/205
D593,076 S * 5/2009 Kung D14/223
D597,084 S * 7/2009 Gondo D14/223
D603,379 S * 11/2009 Harbeke D14/223
D608,449 S * 1/2010 Cano, Jr. D24/174
D618,672 S * 6/2010 Harbeke D14/223
D631,470 S * 1/2011 Yoneyama D14/223
D632,677 S * 2/2011 Brown D14/223
D635,547 S * 4/2011 Komiyama D14/205
D635,558 S * 4/2011 Zheng D14/206
D637,998 S * 5/2011 Brunner D14/205
D641,010 S * 7/2011 Kwon D14/223
D652,822 S * 1/2012 Lee D14/223
D655,417 S * 3/2012 Naumann D24/174

D658,157 S * 4/2012 McManigal D14/205
D660,292 S * 5/2012 Rautiainen D14/223
D660,826 S * 5/2012 Brunner D14/223
D662,086 S * 6/2012 Komiyama D14/223
D666,581 S * 9/2012 Perez D14/223
D668,244 S * 10/2012 Matsumura D14/223
D673,532 S * 1/2013 Lee D14/223
D676,026 S * 2/2013 Lee D14/223
D685,351 S * 7/2013 Morimoto D14/223
D685,770 S * 7/2013 Lee D14/223
D700,905 S * 3/2014 Pavitsich D14/223
D701,196 S * 3/2014 Kelly D14/223
D711,858 S * 8/2014 Yang D14/223
D735,169 S * 7/2015 Shieh D14/223
D737,251 S * 8/2015 Thompson D14/223
D739,851 S * 9/2015 Donohue, II D14/223
D745,862 S * 12/2015 Otani D14/223
D764,445 S * 8/2016 Czaniecki D14/223
D780,714 S * 3/2017 Vogt, Jr. D14/205
D782,442 S * 3/2017 Chen D14/205
D797,079 S * 9/2017 Houle D14/223
D808,360 S * 1/2018 Arimoto D14/205
D810,053 S * 2/2018 Otani D14/223
2003/0002700 A1 * 1/2003 Fretz H04R 25/65
381/330
2006/0251280 A1 * 11/2006 Fennell H04R 25/65
381/328
2007/0230735 A1 * 10/2007 Sung H04R 1/1058
381/374
2009/0304220 A1 * 12/2009 Fujikura H04R 1/1091
381/380
2010/0166208 A1 * 7/2010 Kato H04R 1/1033
381/74
2011/0155147 A1 * 6/2011 McIntosh A61F 11/08
128/864
2018/0035193 A1 * 2/2018 Tsubone H04R 1/1016

* cited by examiner

FIG. 1

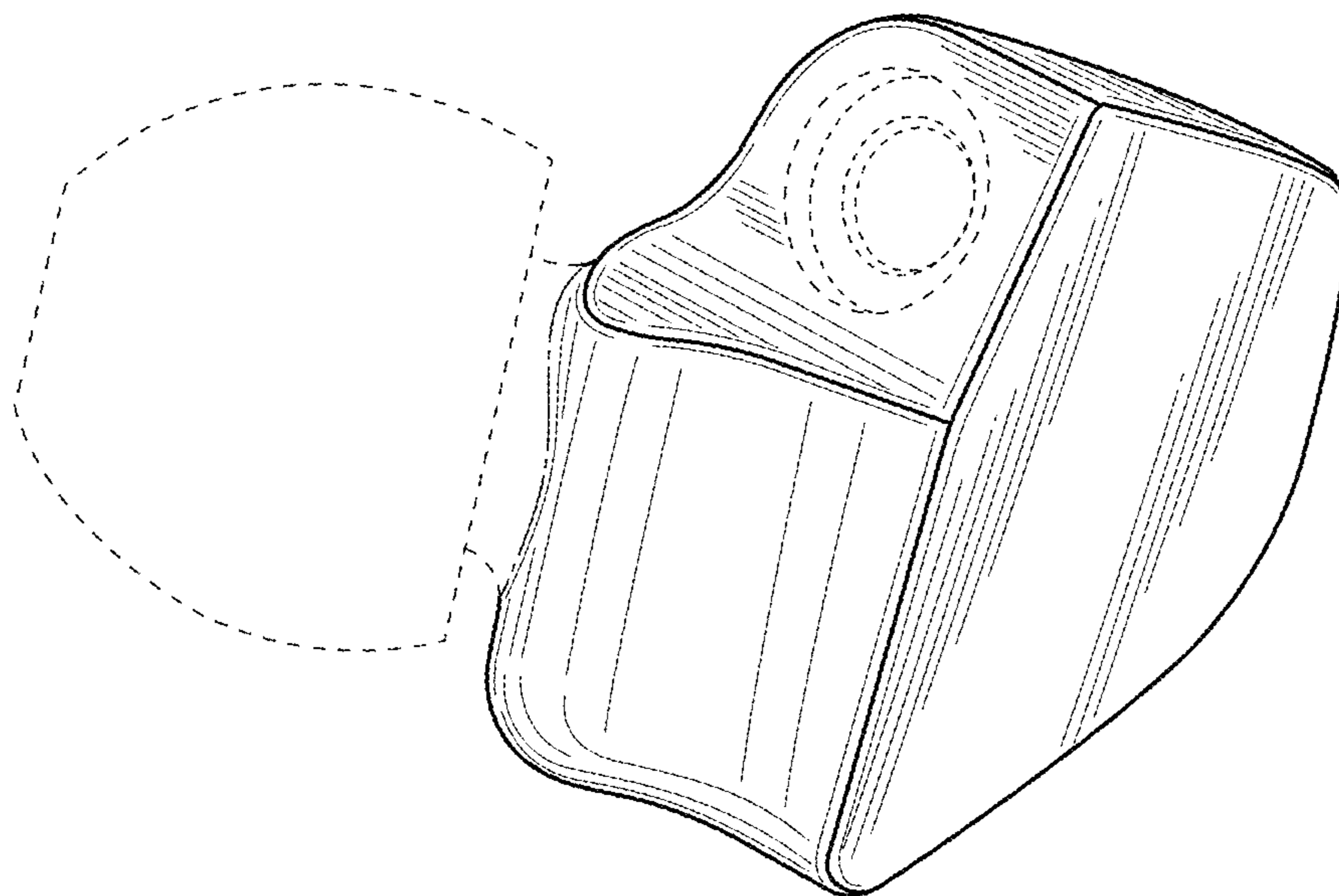


FIG. 2

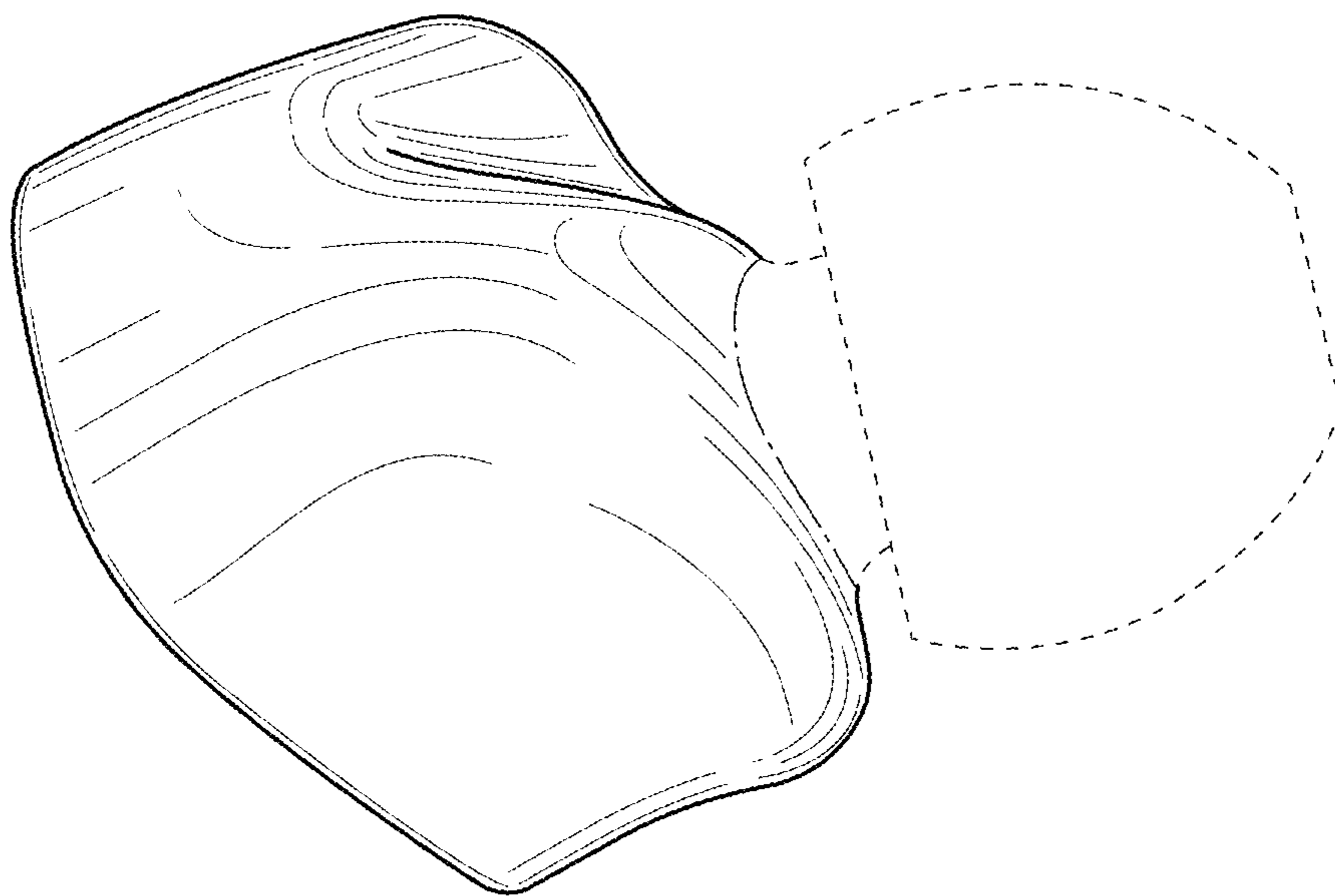


FIG. 3

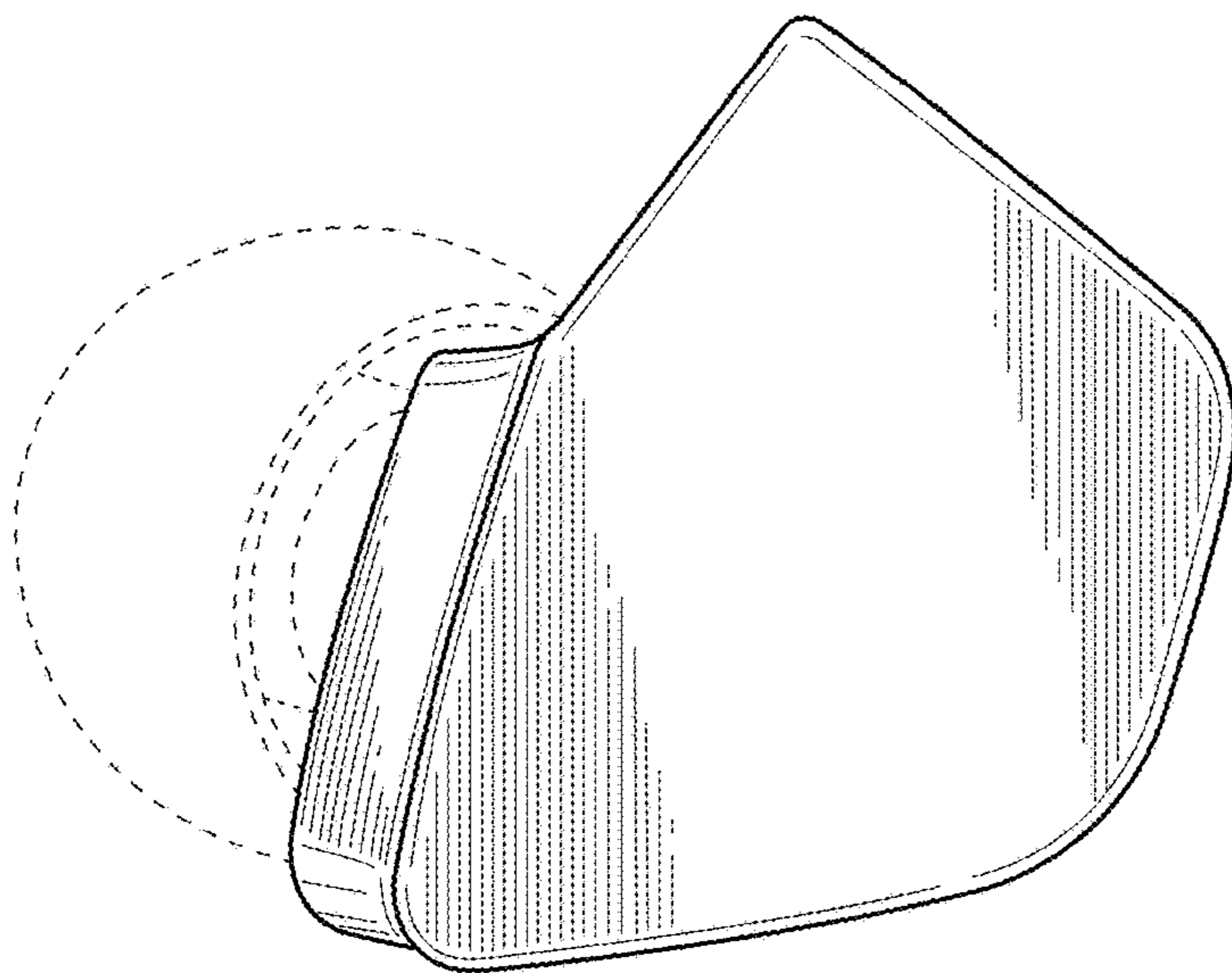


FIG. 4

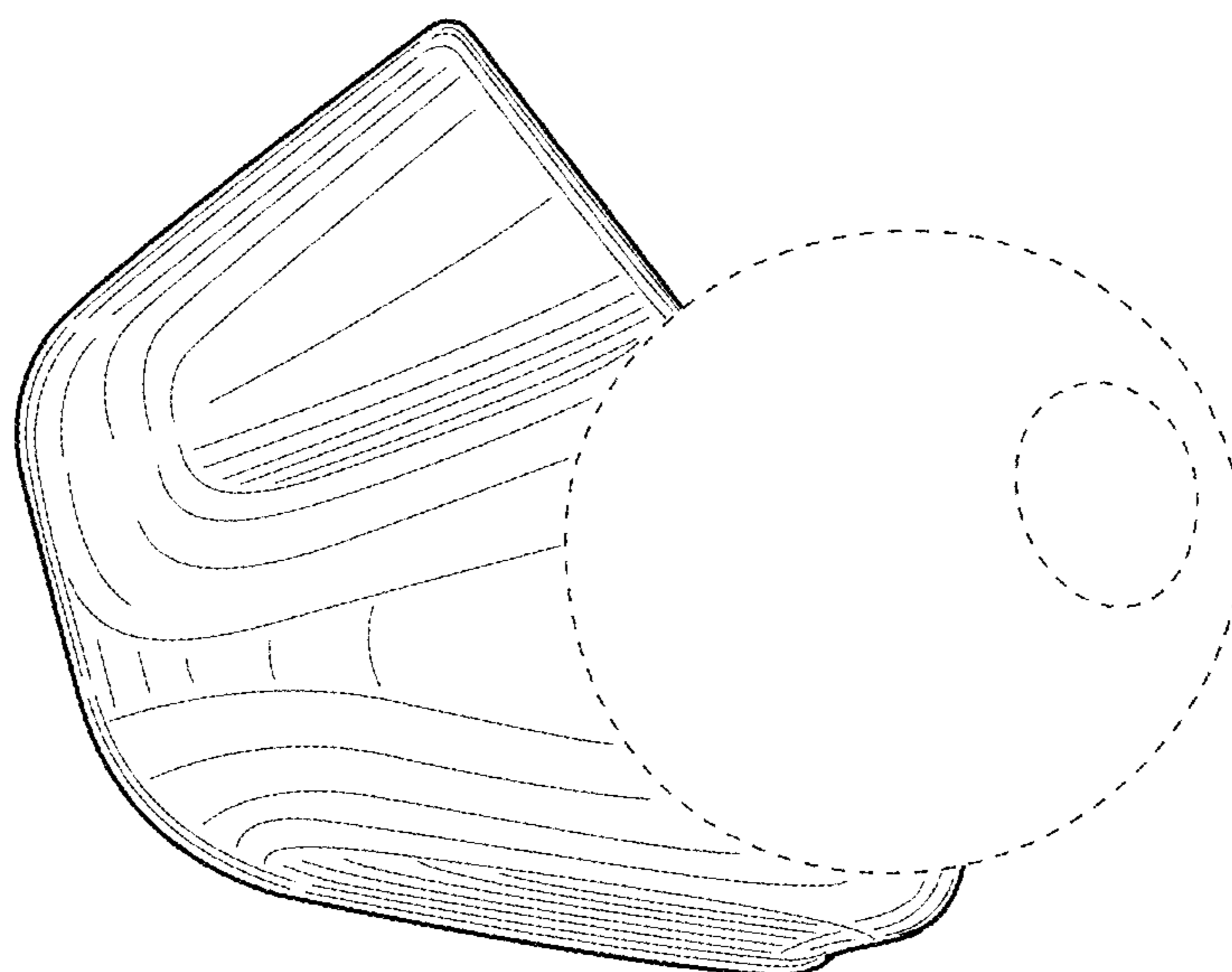


FIG. 5

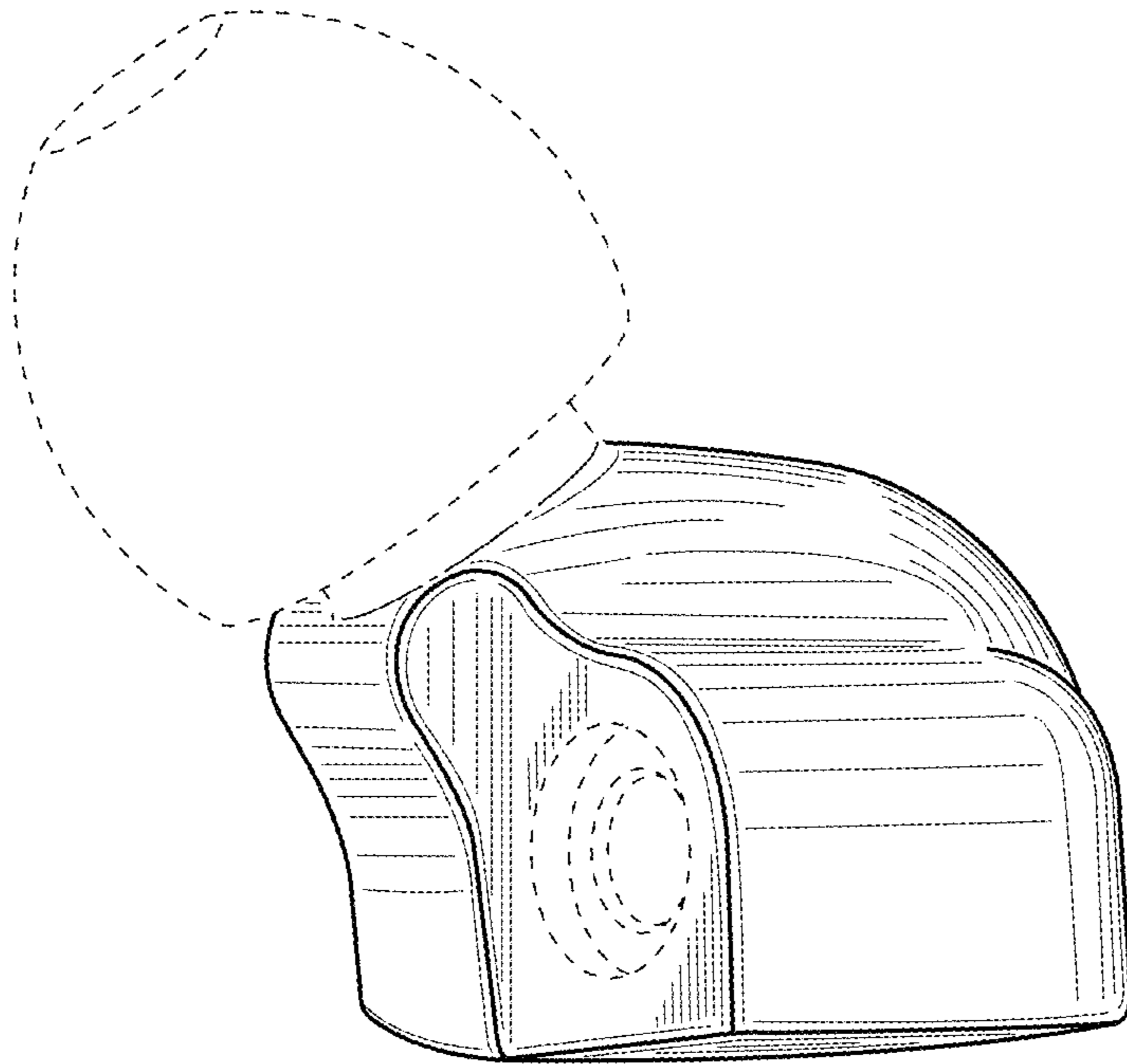


FIG. 6

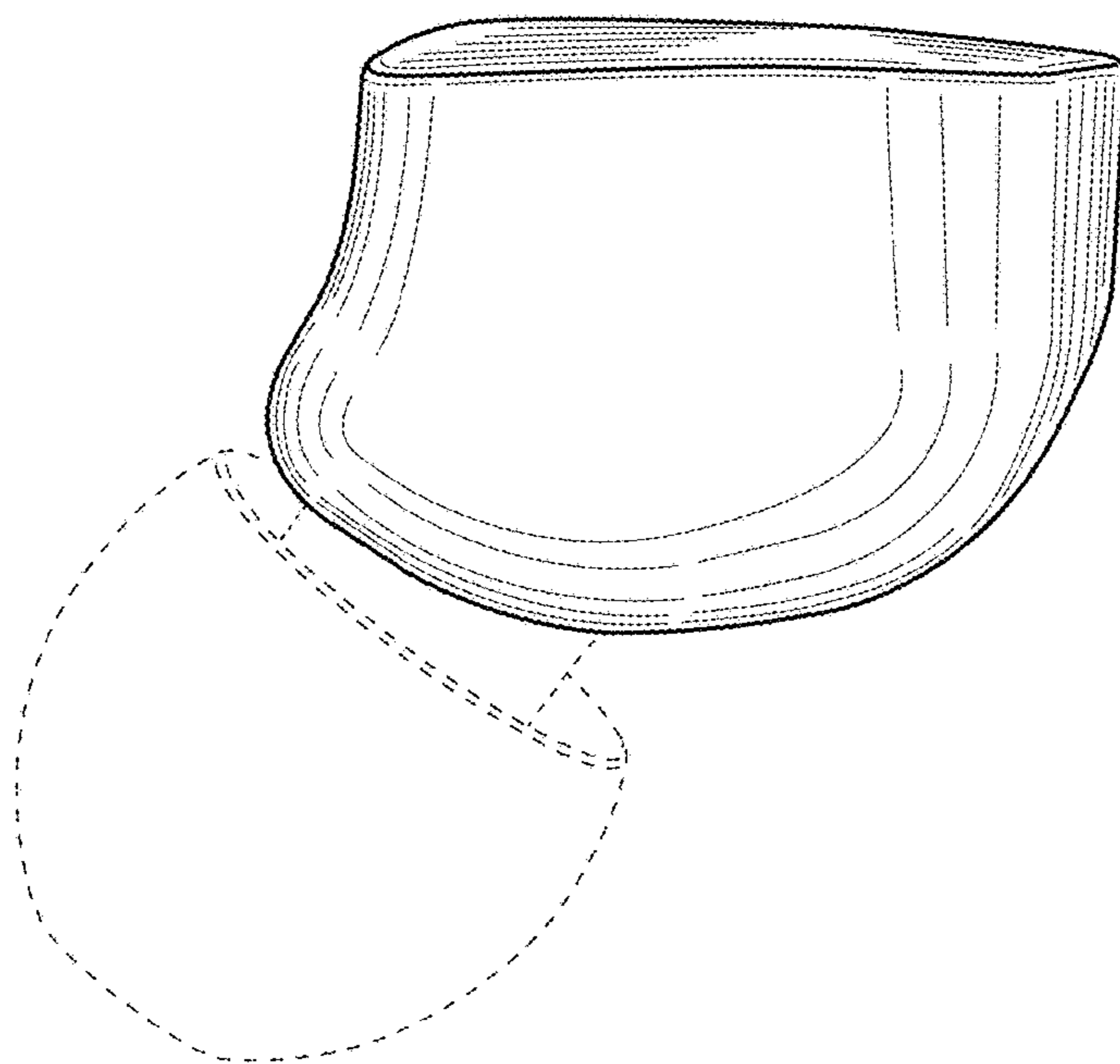


FIG. 7

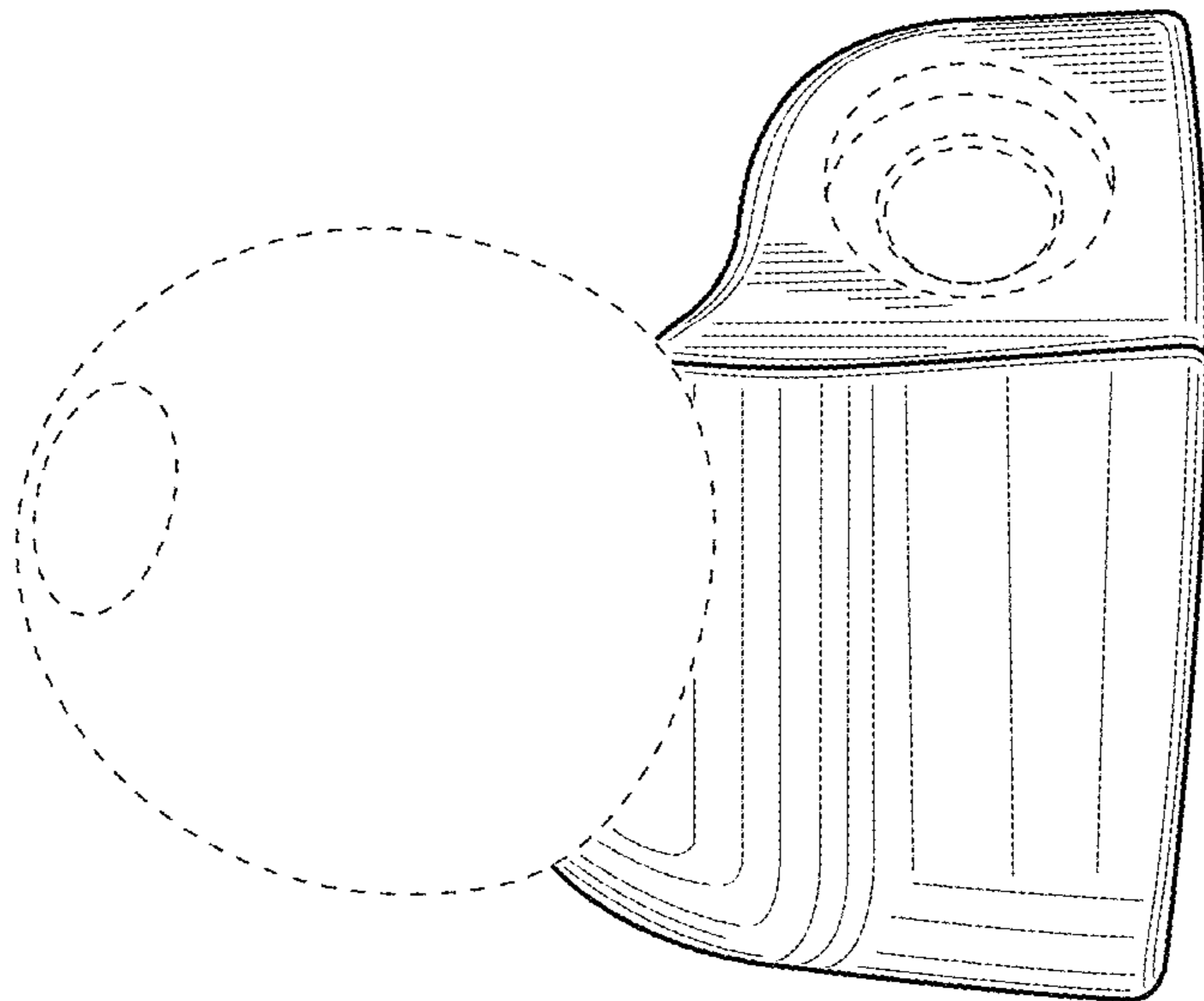


FIG. 8

