

US00D822003S

(12) **United States Design Patent**
Won et al.

(10) **Patent No.:** **US D822,003 S**
(45) **Date of Patent:** **** Jul. 3, 2018**

- (54) **AUDIO VISUAL BOX FOR TV RECEIVER**
- (71) Applicant: **LG ELECTRONICS INC.**, Seoul (KR)
- (72) Inventors: **Hyojin Won**, Seoul (KR); **Hyeyoung Hong**, Seoul (KR); **Yongho Lee**, Seoul (KR); **Youngkyoung Kim**, Seoul (KR)
- (73) Assignee: **LG ELECTRONICS INC.**, Seoul (KR)
- (**) Term: **15 Years**
- (21) Appl. No.: **35/502,900**
- (22) Filed: **Oct. 24, 2016**
- (80) **Hague Agreement Data**
Int. Filing Date: **Oct. 24, 2016**
Int. Reg. No.: **DM/093221**
Int. Reg. Date: **Oct. 24, 2016**
Int. Reg. Pub. Date: **Apr. 28, 2017**
- (30) **Foreign Application Priority Data**
Apr. 27, 2016 (KR) 30-2016-0020191

- (51) **LOC (11) Cl.** **14-03**
- (52) **U.S. Cl.**
USPC **D14/214**
- (58) **Field of Classification Search**
USPC D14/125-126, 129, 132-133, 375-376, D14/451, 221, 224, 224.1, 239, 242, 204, D14/209.1, 210, 211, 214-216, 357-358, D14/496, 172, 194-195
CPC . B60R 11/0217; B60R 11/0223; H04R 1/023; H04R 1/025; H04R 1/323; H04R 5/02; H04R 19/02; H04F 2400/00; H04F 2400/07; H04F 2400/11; G06F 1/16
See application file for complete search history.

- (56) **References Cited**
U.S. PATENT DOCUMENTS
D496,351 S * 9/2004 Allen D14/211
D508,910 S * 8/2005 Oikawa D14/214
D535,942 S * 1/2007 Kim D13/108
D538,266 S * 3/2007 Yoon D14/211
(Continued)

OTHER PUBLICATIONS

Yamaha YAS-201, posted at Crutchfield, comment posting date Jan. 5, 2014. [online][site visited Mar. 24, 2018] URL: <https://www.crutchfield.com/S-17N8o9MJmXP/p_022YAS201/Yamaha-YAS-201.html?tp=47366> (Year: 2014).*

(Continued)

Primary Examiner — George D. Kirschbaum
Assistant Examiner — Kathleen L Jones
(74) *Attorney, Agent, or Firm* — Birch, Stewart, Kolasch & Birch, LLP

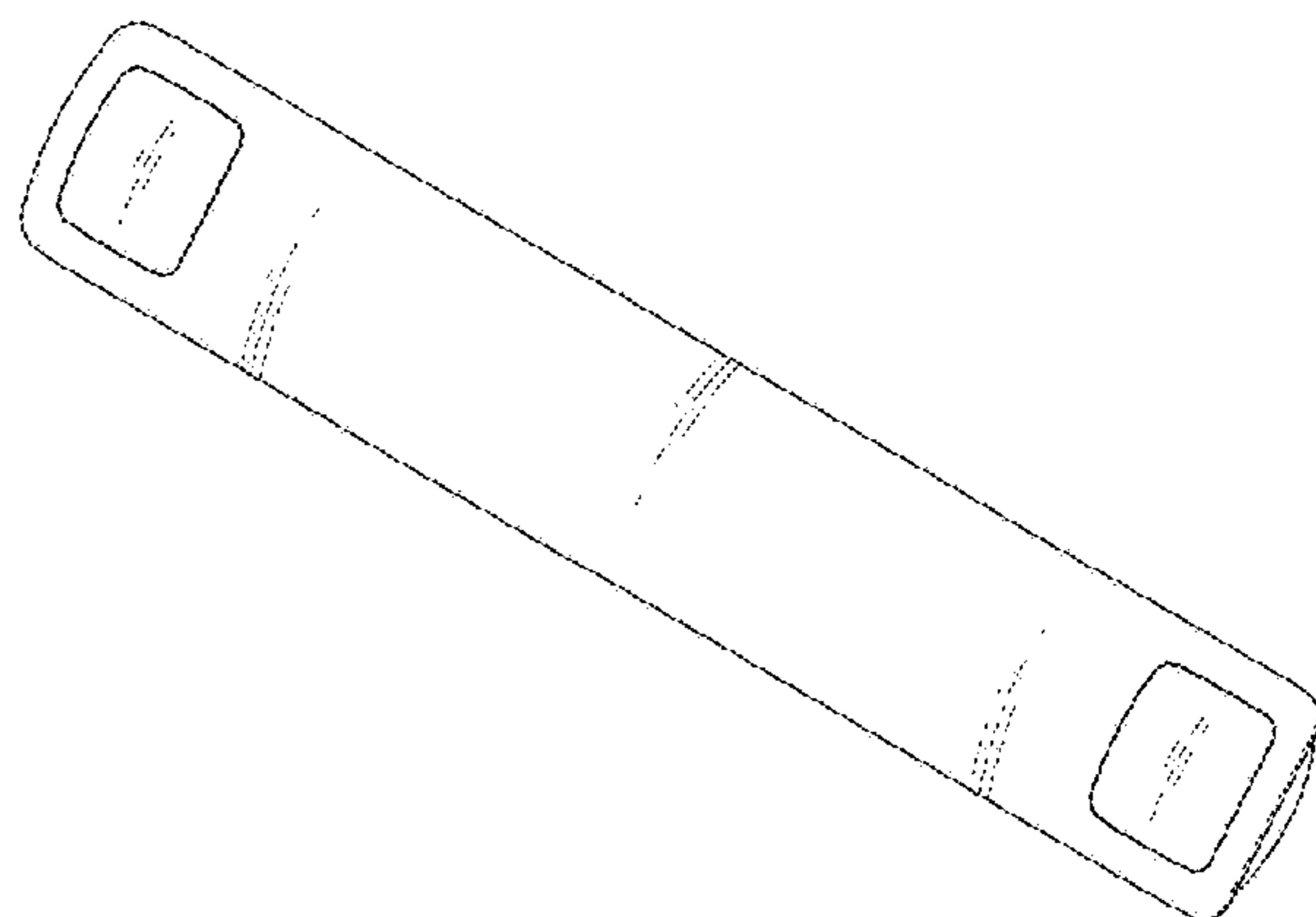
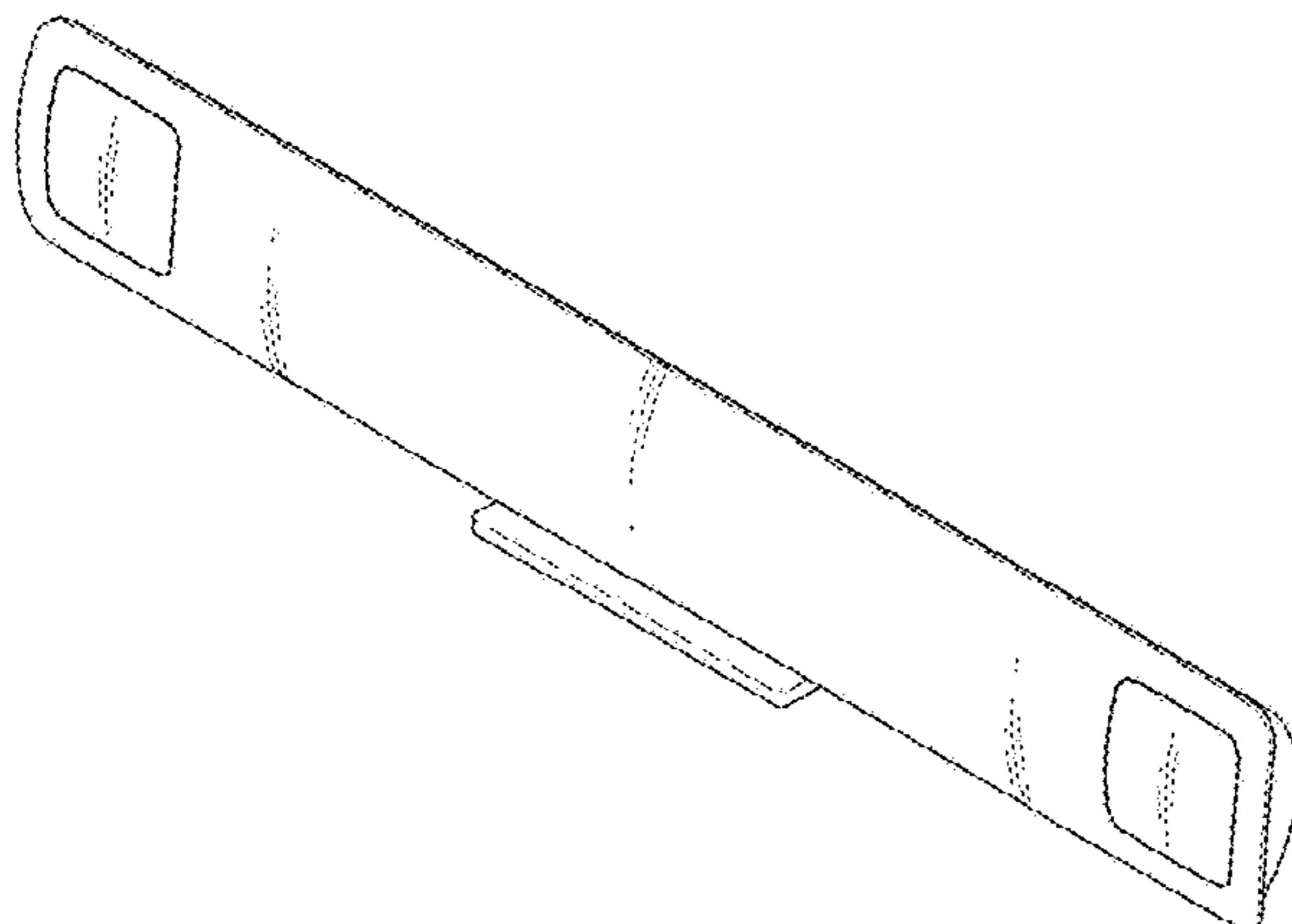
(57) **CLAIM**

The ornamental design for an audio visual box for TV receiver, as shown and described.

DESCRIPTION

- 1. Audio visual box for TV receiver
- 1.1 is a perspective view of an audio visual box for TV receiver.
- 1.2 is a front view thereof.
- 1.3 is a back view thereof.
- 1.4 is a left side view thereof.
- 1.5 is a right side view thereof.
- 1.6 is a top view thereof.
- 1.7 is a bottom view thereof.
- 1.8 is a perspective view of an audio visual box for TV receiver in an alternate position.
- 1.9 is a front view thereof.
- 1.10 is a back view thereof.
- 1.11 is a left side view thereof.
- 1.12 is a right side view thereof.
- 1.13 is a top view thereof.
- 1.14 is a bottom view thereof.

1 Claim, 14 Drawing Sheets



(56)

References Cited

U.S. PATENT DOCUMENTS

D540,305	S	*	4/2007	Han	D14/211
D547,748	S	*	7/2007	Tsuge	D14/211
D565,540	S	*	4/2008	Kim	D14/211
D565,542	S	*	4/2008	Han	D14/211
D638,823	S	*	5/2011	Schindler	D14/214
D654,907	S	*	2/2012	McManigal	D14/214
D655,274	S	*	3/2012	McManigal	D14/214
D659,677	S	*	5/2012	Kim	D14/214
D754,104	S	*	4/2016	Yoon	D14/214
D784,952	S	*	4/2017	Fleming, Jr.	D14/203.7
D793,362	S	*	8/2017	Fischer	D14/214

OTHER PUBLICATIONS

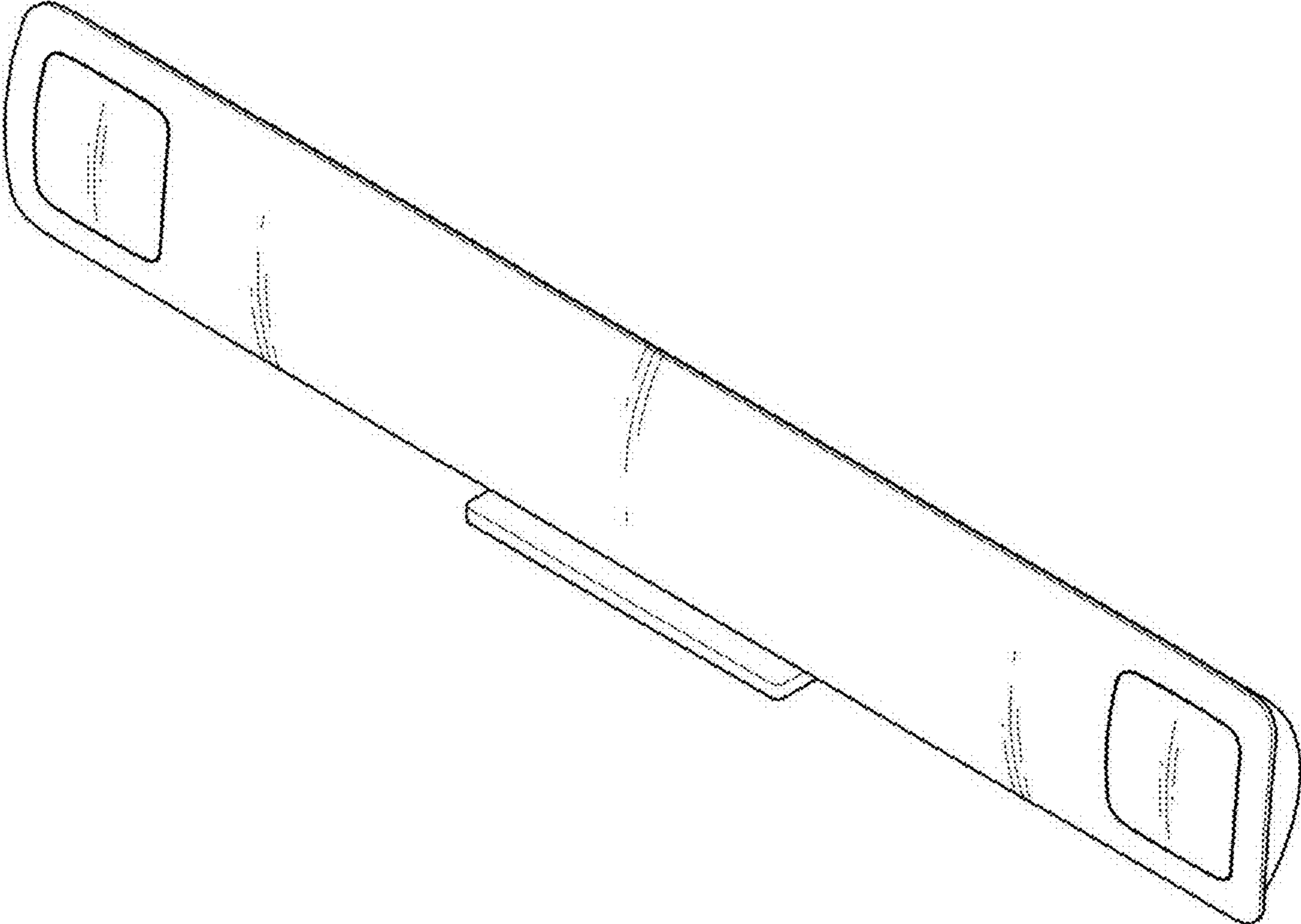
Yamaha YAS-203 Sound Bar, posted at Amazon, posting date Aug. 11, 2014. [online][site visited Mar. 24, 2018] URL: <<https://www.amazon.com/Yamaha-YAS-203-Bluetooth-Wireless-Subwoofer/dp/B00MIYEJ9Y>> (Year: 2014).*

Klipsch Gallery G-42 Flat Panel Speaker, posted at Klipsch, review posting year 2015. [online][site visited Mar. 13, 2018] URL: <<http://www.klipsch.com/products/klipsch-gallery-speakers#product-consumer-reviews>> (Year: 2015).*

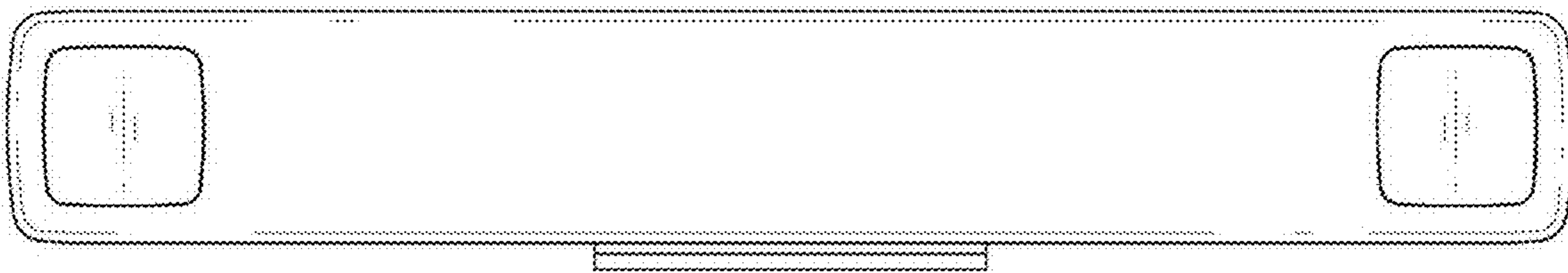
Nadel, Brian, 9 nifty ways to get awesome laptop audio, posted at IT Business, posting date Jun. 8, 2009. [online][site visited Mar. 24, 2018] URL: <<https://www.itbusiness.ca/news/9-nifty-ways-to-get-awesome-laptop-audio/13628>> (Year: 2009).*

* cited by examiner

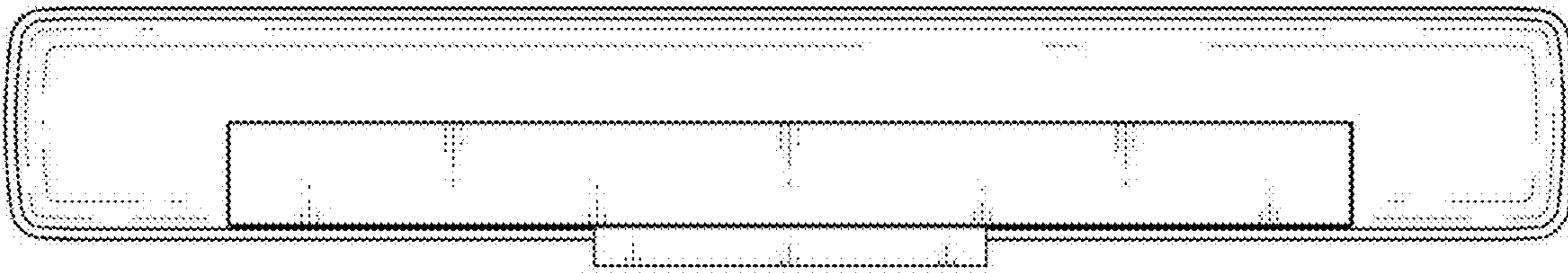
1.1



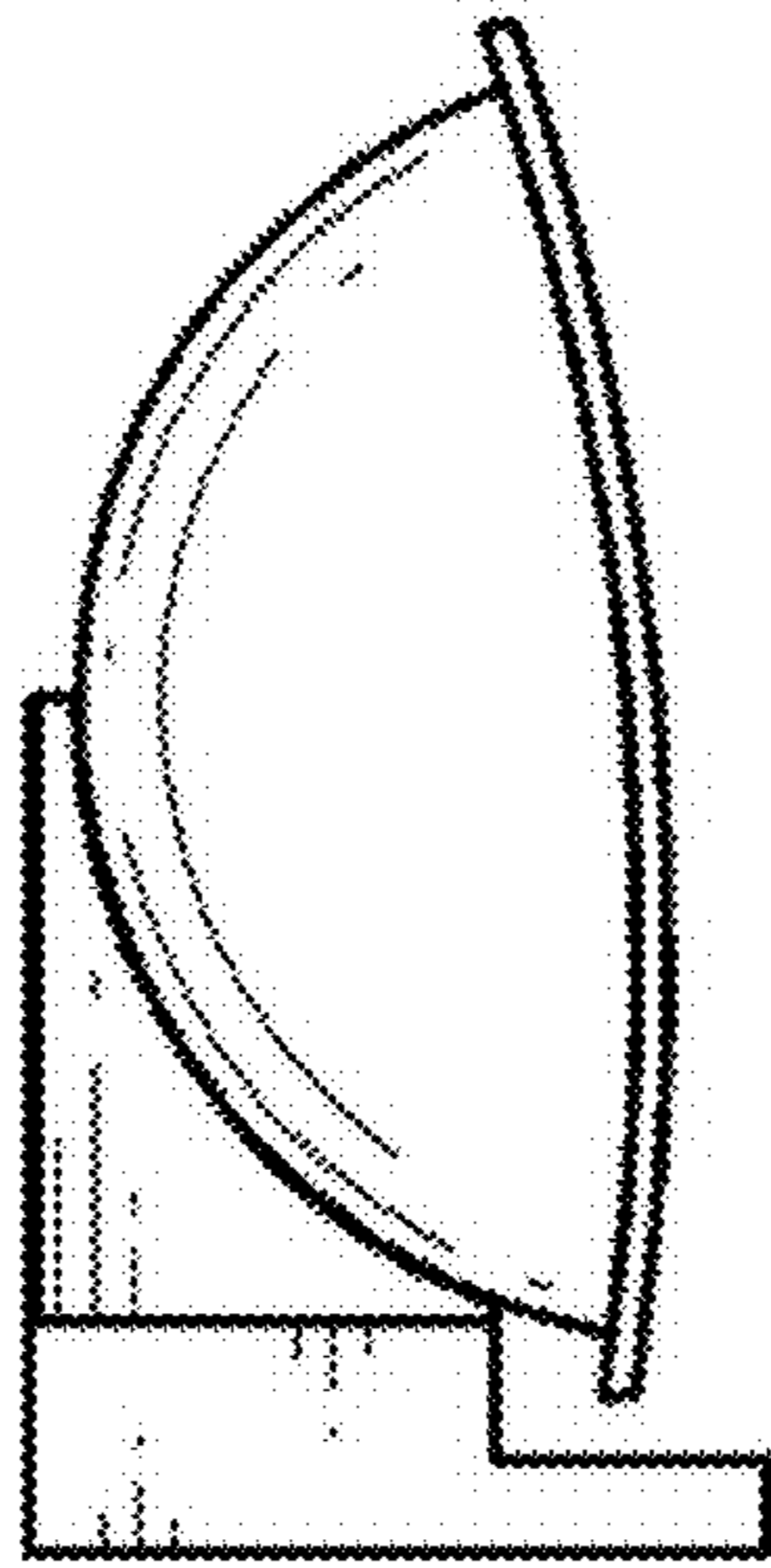
1.2



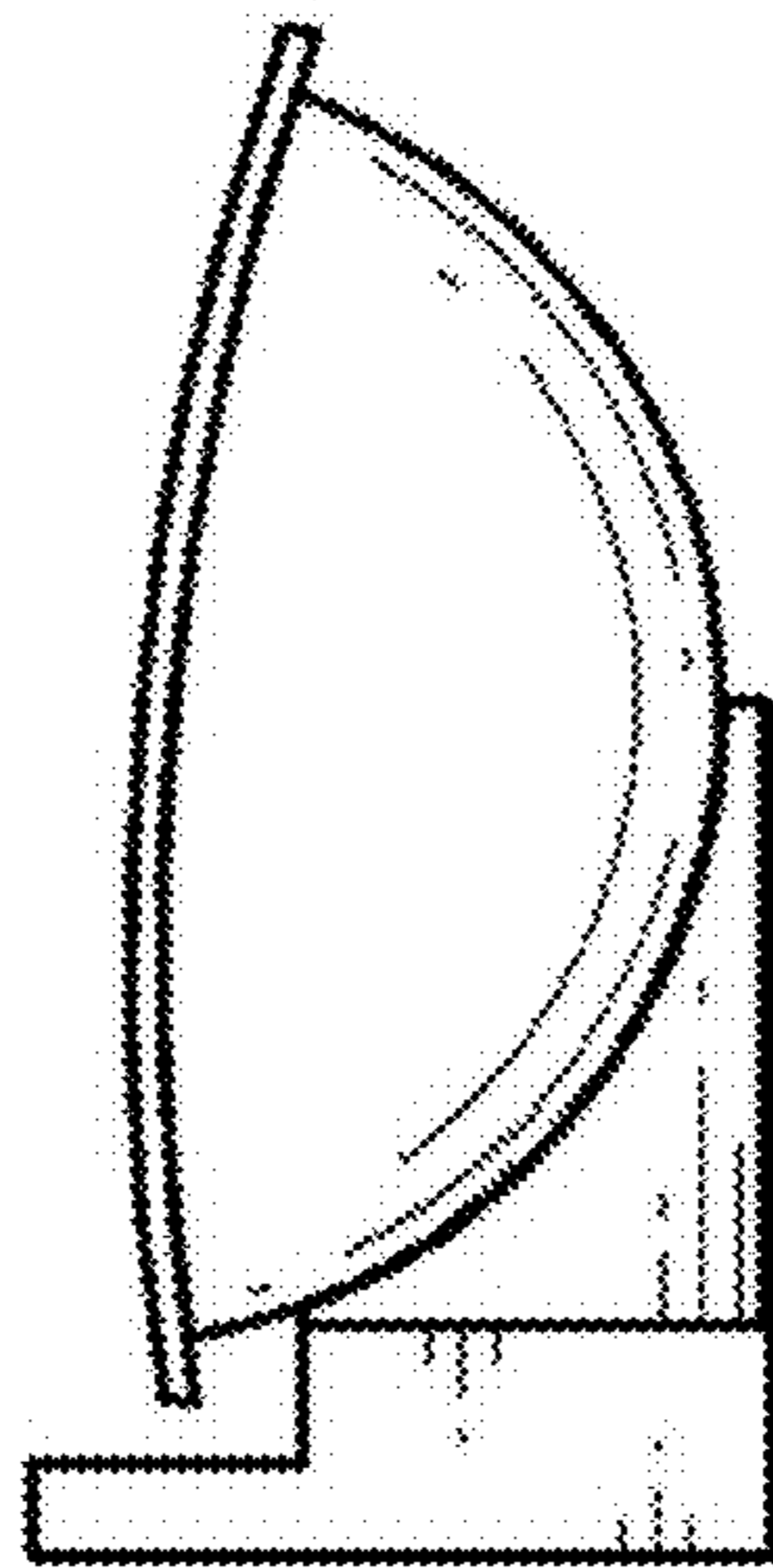
1.3



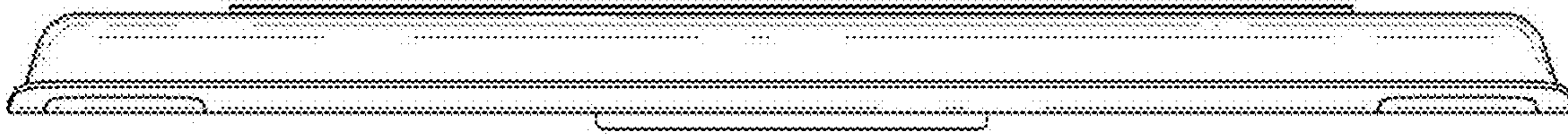
1.4



1.5



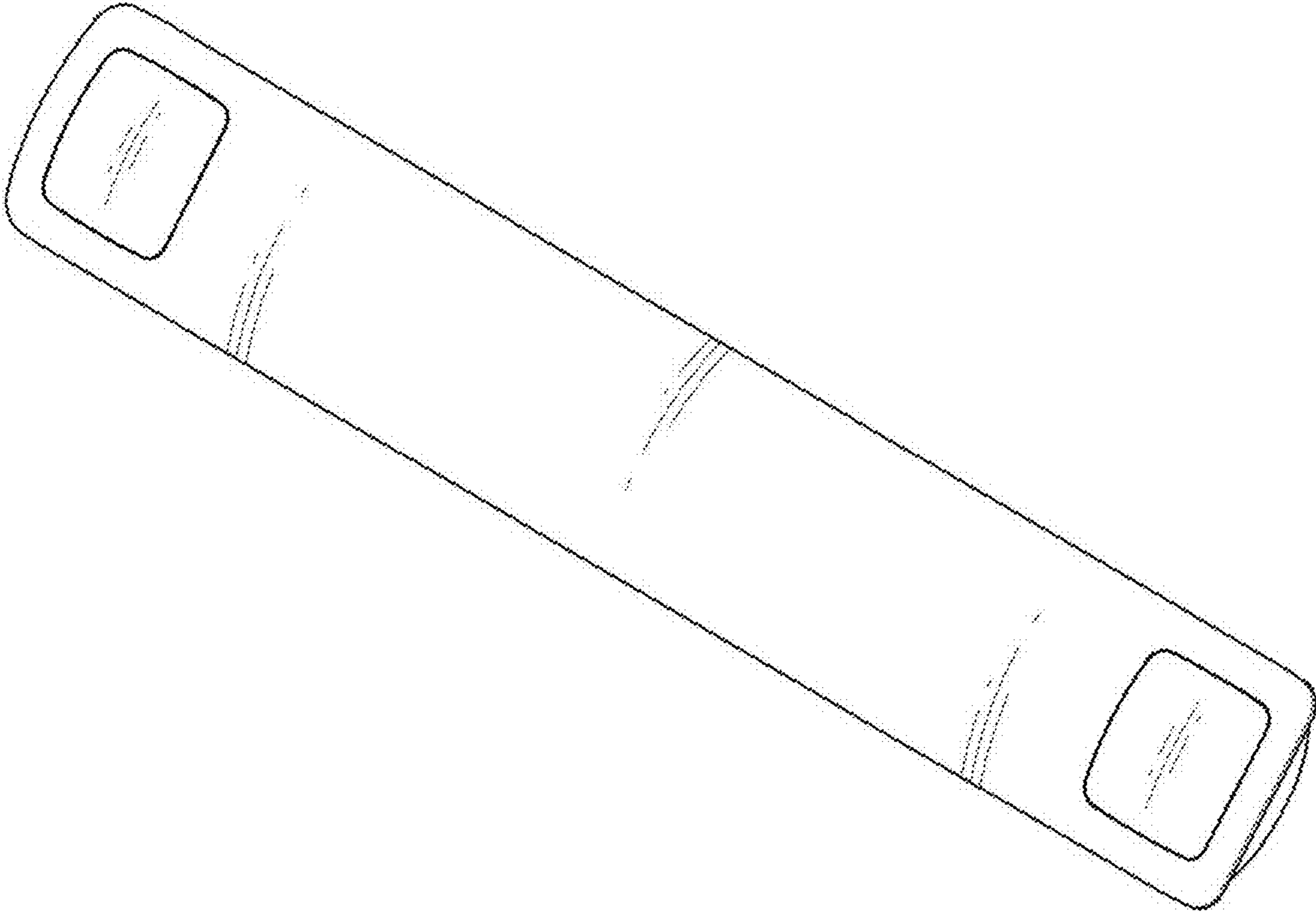
1.6



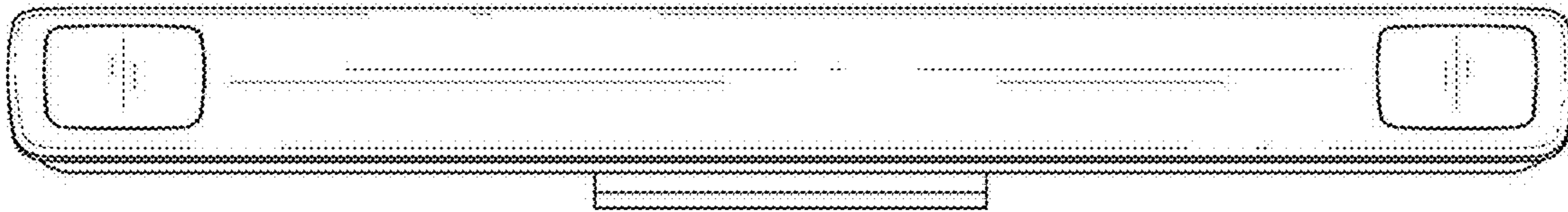
1.7



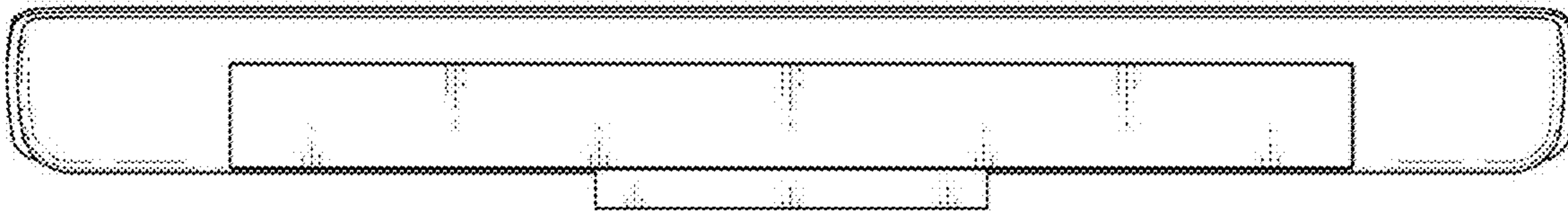
1.8



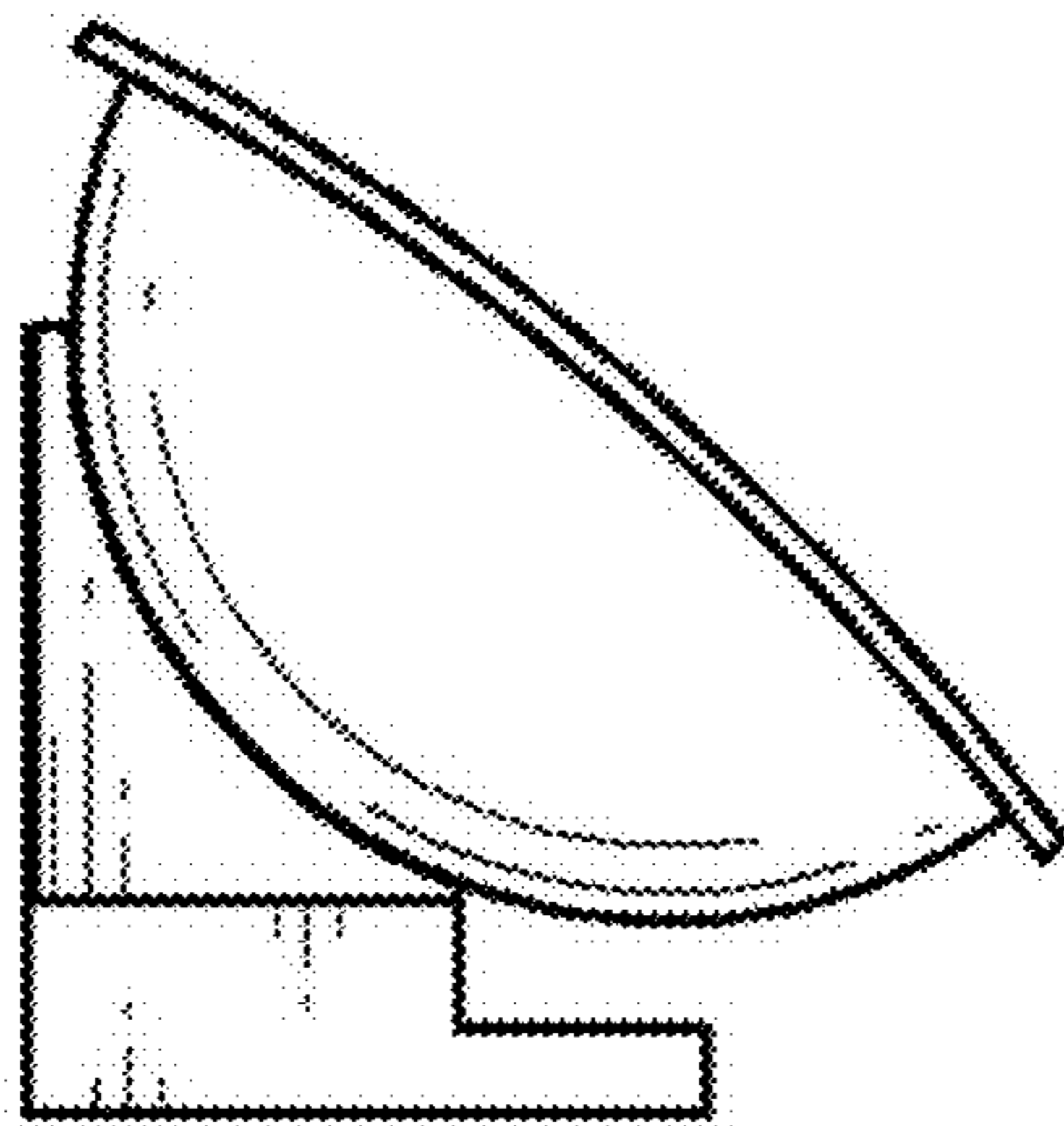
1.9



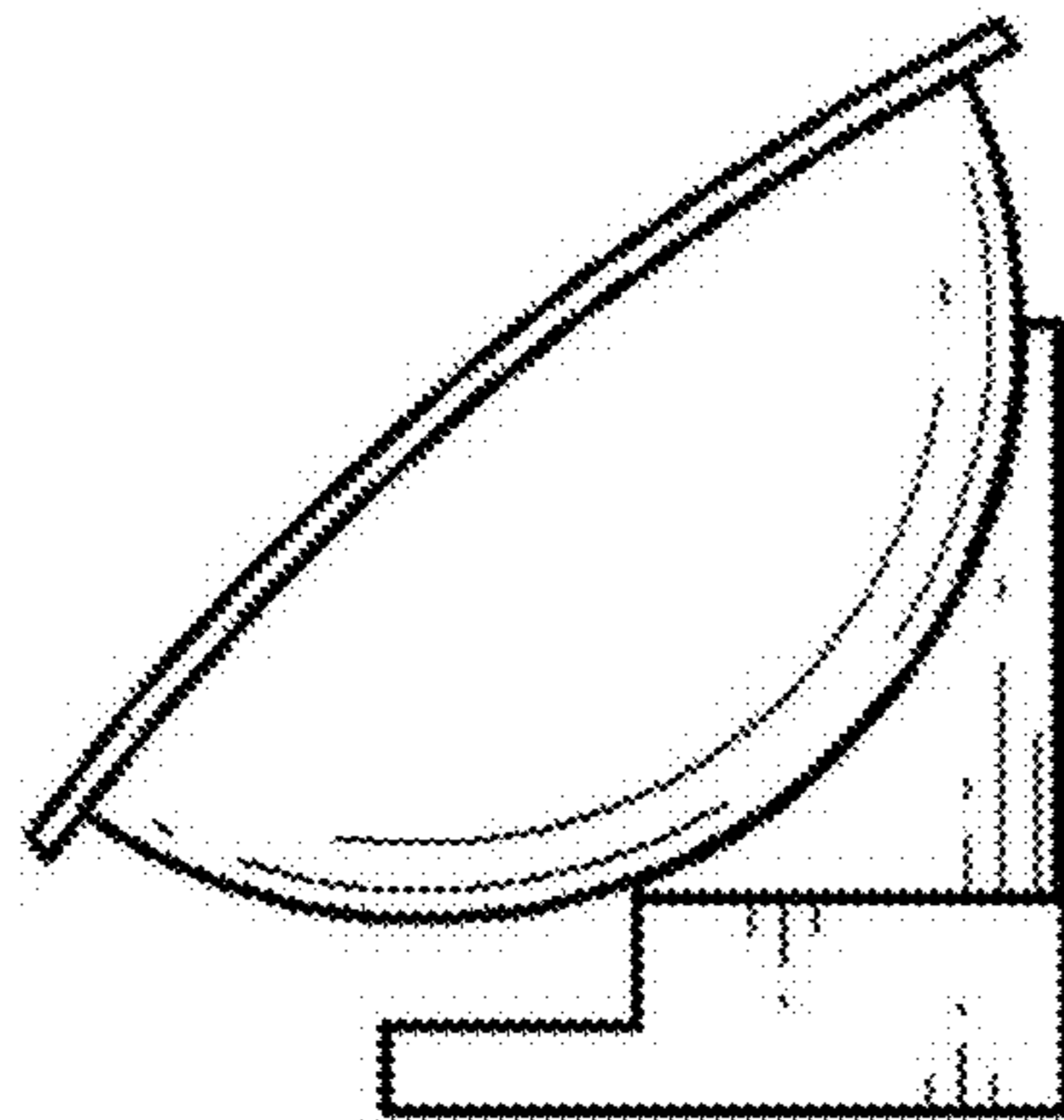
1.10



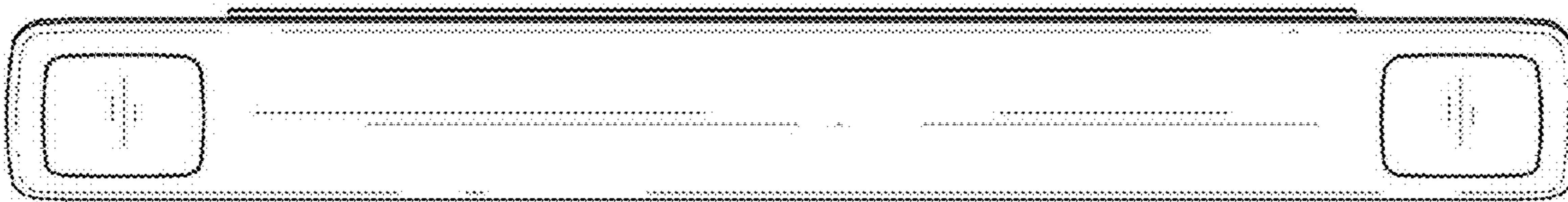
1.11



1.12



1.13



1.14

