



US00D822002S

(12) **United States Design Patent**
Won et al.

(10) **Patent No.:** **US D822,002 S**

(45) **Date of Patent:** **** Jul. 3, 2018**

(54) **AUDIO VISUAL BOX FOR TV RECEIVER**

H04R 19/02; H04F 2400/00; H04F
2400/07; H04F 2400/11; G06F 1/16

See application file for complete search history.

(71) Applicant: **LG ELECTRONICS INC.**, Seoul
(KR)

(56) **References Cited**

U.S. PATENT DOCUMENTS

(72) Inventors: **Hyojin Won**, Seoul (KR); **Hyeyoung Hong**, Seoul (KR); **Yongho Lee**, Seoul (KR); **Youngkyoung Kim**, Seoul (KR)

4,450,495	A *	5/1984	Naruki	G11B 25/063 224/674
D341,594	S *	11/1993	Kawai	D14/242
D359,492	S *	6/1995	Dyas	D14/214
D360,637	S *	7/1995	Arie	D14/214
D367,476	S *	2/1996	Martin	D14/214
5,852,545	A *	12/1998	Pan-Ratzlaff	G06F 1/1601 361/679.23
D416,900	S *	11/1999	Yamada	D14/168
D530,310	S *	10/2006	Tsai	D14/215
D579,443	S *	10/2008	Donovan	D14/214

(73) Assignee: **LG ELECTRONICS INC.**, Seoul
(KR)

(**) Term: **15 Years**

(Continued)

(21) Appl. No.: **35/502,867**

OTHER PUBLICATIONS

(22) Filed: **Oct. 25, 2016**

Nadel, Brian, 9 nifty ways to get awesome laptop audio, posted at IT Business, posting date Jun. 8, 2009. [online][site visited Mar. 24, 2018] URL: <<https://www.itbusiness.ca/news/9-nifty-ways-to-get-awesome-laptop-audio/13628>> (Year: 2009).*

(80) **Hague Agreement Data**

Int. Filing Date: **Oct. 25, 2016**
Int. Reg. No.: **DM/093229**
Int. Reg. Date: **Oct. 25, 2016**
Int. Reg. Pub. Date: **Apr. 28, 2017**

(Continued)

Primary Examiner — George D. Kirschbaum

Assistant Examiner — Kathleen L Jones

(74) *Attorney, Agent, or Firm* — Birch, Stewart, Kolasch & Birch, LLP

(30) **Foreign Application Priority Data**

Apr. 27, 2016 (KR) 30-2016-0020194

(51) **LOC (11) Cl.** **14-03**

(52) **U.S. Cl.**
USPC **D14/214**

(58) **Field of Classification Search**

USPC D14/125-126, 129, 132-133, 375-376,
D14/451, 221, 224, 224.1, 239, 242, 204,
D14/209.1, 210, 211, 214-216, 357-358,
D14/496, 172, 194-195
CPC . B60R 11/0217; B60R 11/0223; H04R 1/023;
H04R 1/025; H04R 1/323; H04R 5/02;

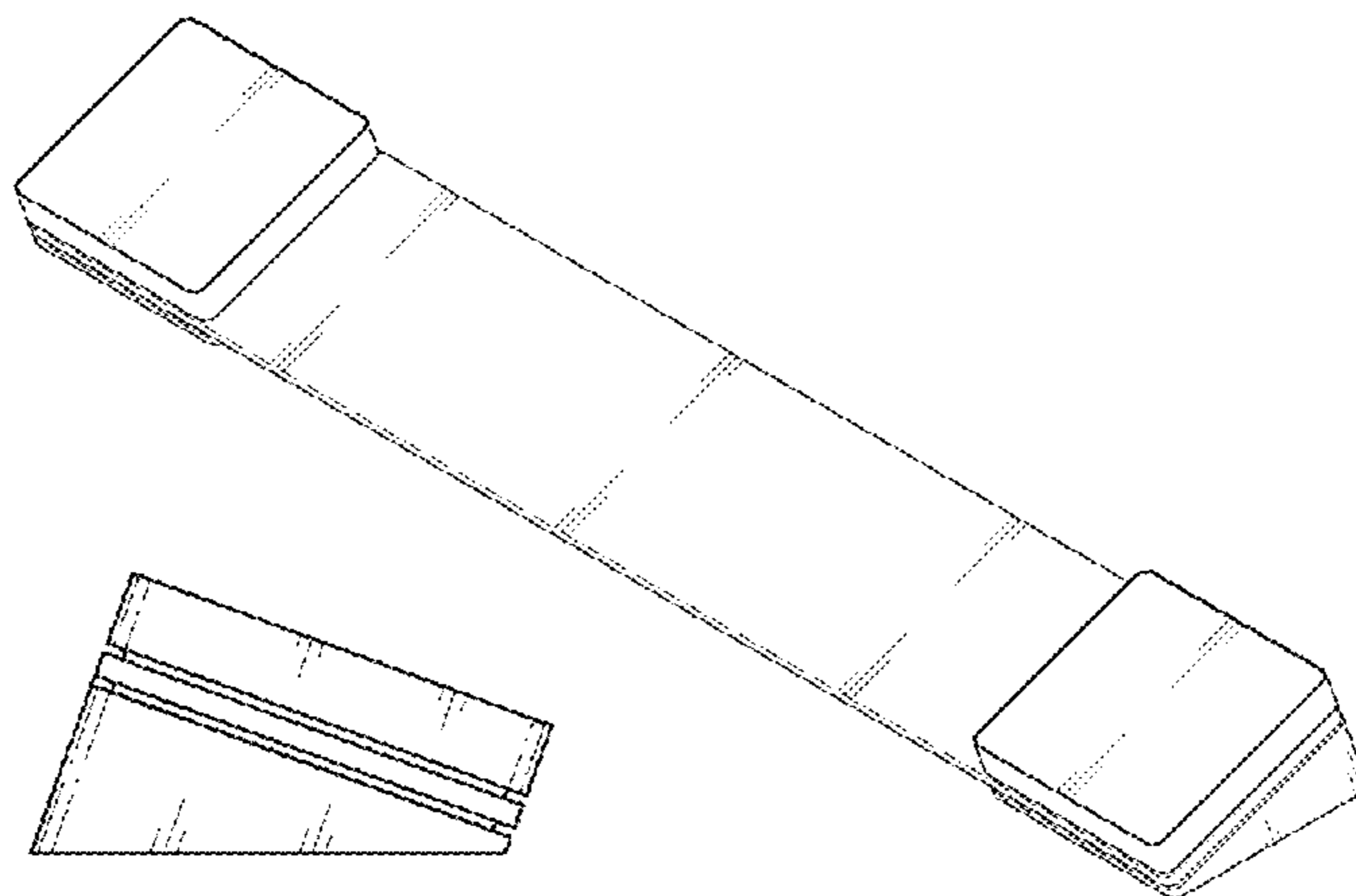
(57) **CLAIM**

The ornamental design for an audio visual box for TV receiver, as shown and described.

DESCRIPTION

1. Audio visual box for TV receiver
- 1.1 is a front perspective view.
- 1.2 is a front view.
- 1.3 is a back view.
- 1.4 is a left side view.
- 1.5 is a right side view.

(Continued)



1.6 is a top view.
1.7 is a bottom view.
1.8 is a rear perspective view.

1 Claim, 8 Drawing Sheets

(56) **References Cited**

U.S. PATENT DOCUMENTS

D599,782 S * 9/2009 Tse D14/209.1
7,593,536 B2 * 9/2009 Sung G03B 31/00
381/312
D601,546 S * 10/2009 Lee D14/209.1
D686,209 S * 7/2013 Sun D14/401
D688,228 S * 8/2013 Ryu D14/209.1
D689,460 S * 9/2013 Chen D14/172
D744,976 S * 12/2015 Snyder D14/204
D753,629 S * 4/2016 Plattard D14/214
D784,952 S * 4/2017 Fleming, Jr. D14/203.7

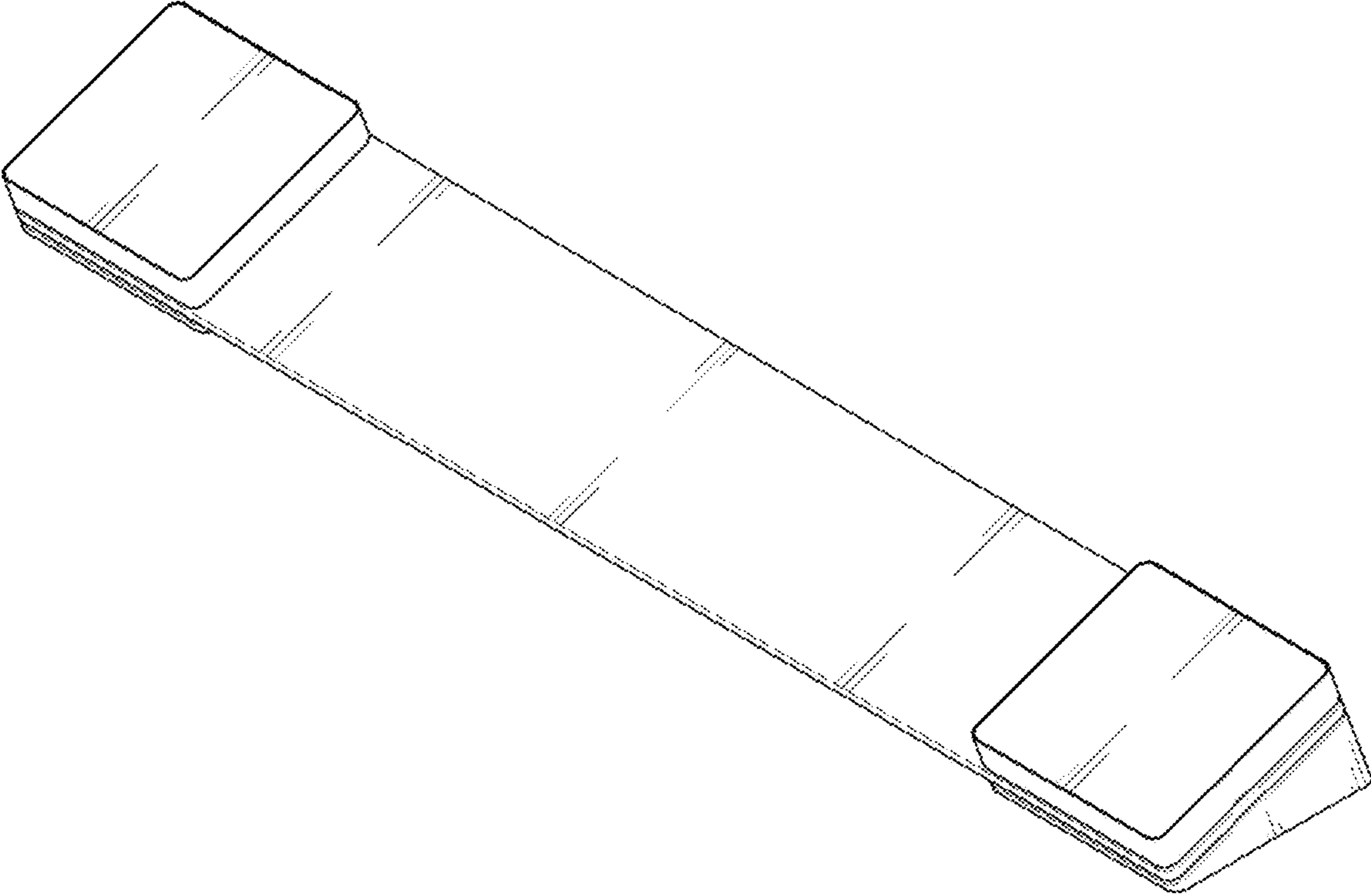
OTHER PUBLICATIONS

Yamaha YAS-203 Sound Bar, posted at Amazon, posting date Aug. 11, 2014. [online][site visited Mar. 24, 2018] URL: <<https://www.amazon.com/Yamaha-YAS-203-Bluetooth-Wireless-Subwoofer/dp/B00MIYEJ9Y>> (Year: 2014).*

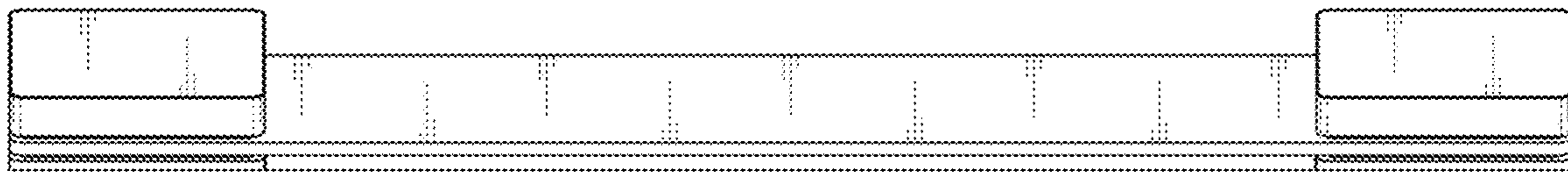
James, Razer Leviathan 5.1 Speaker Review, posted at PC Gameware, posting date Mar. 12, 2015. [online][site visited Mar. 13, 2018] URL: <<http://www.pcgameware.co.uk/reviews/other/razer-leviathan-5-1-speaker-review/>> (Year: 2015).*

* cited by examiner

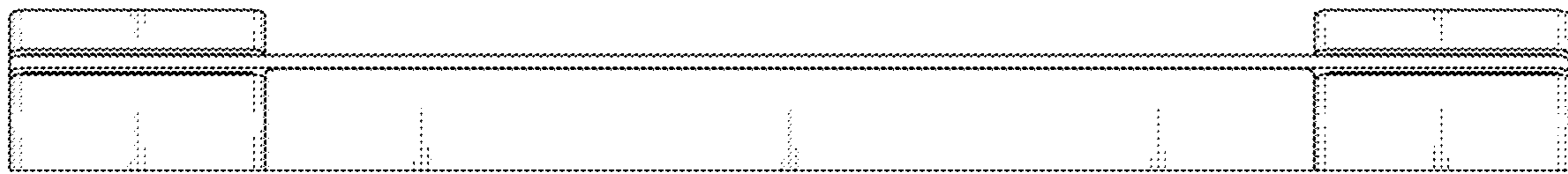
1.1



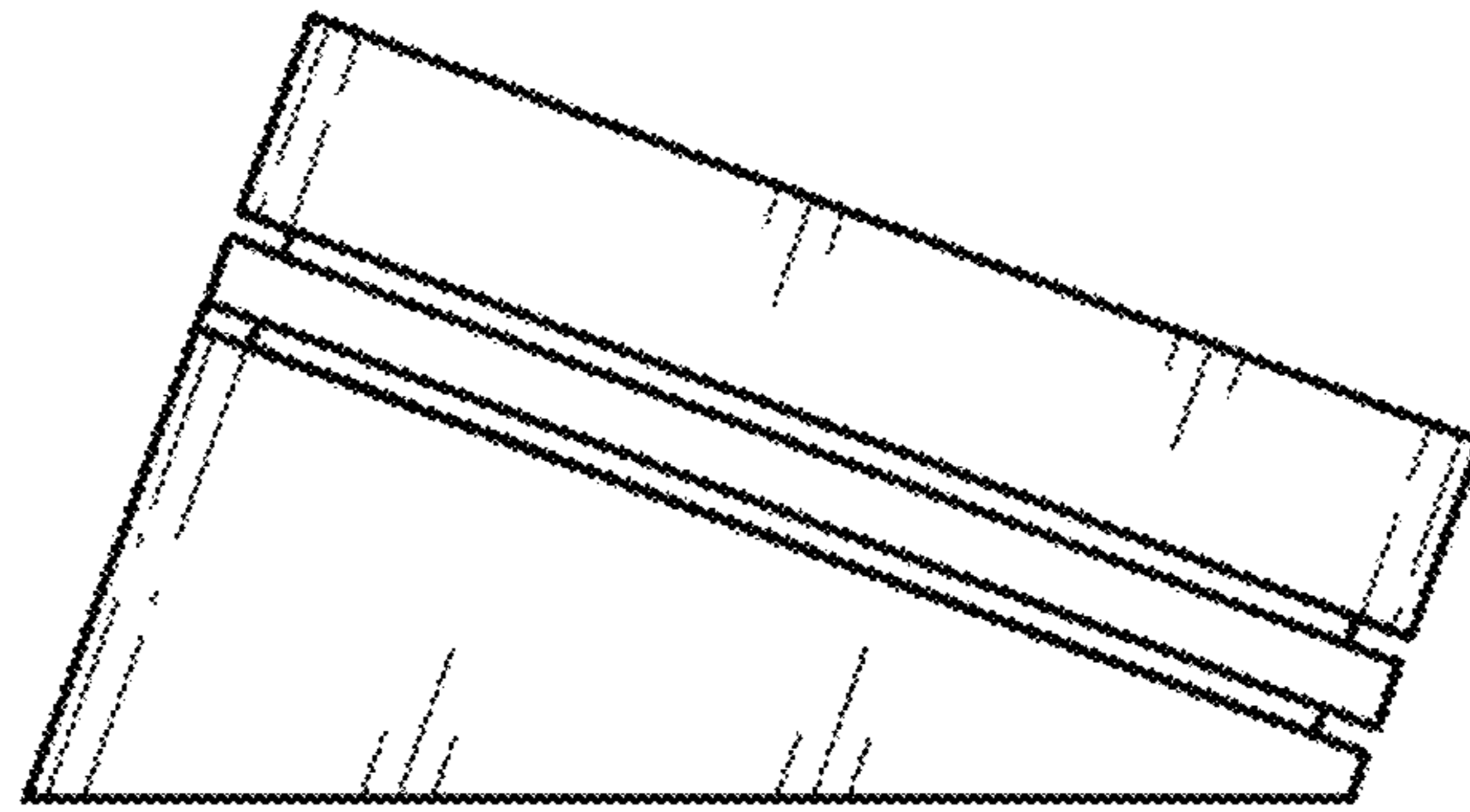
1.2



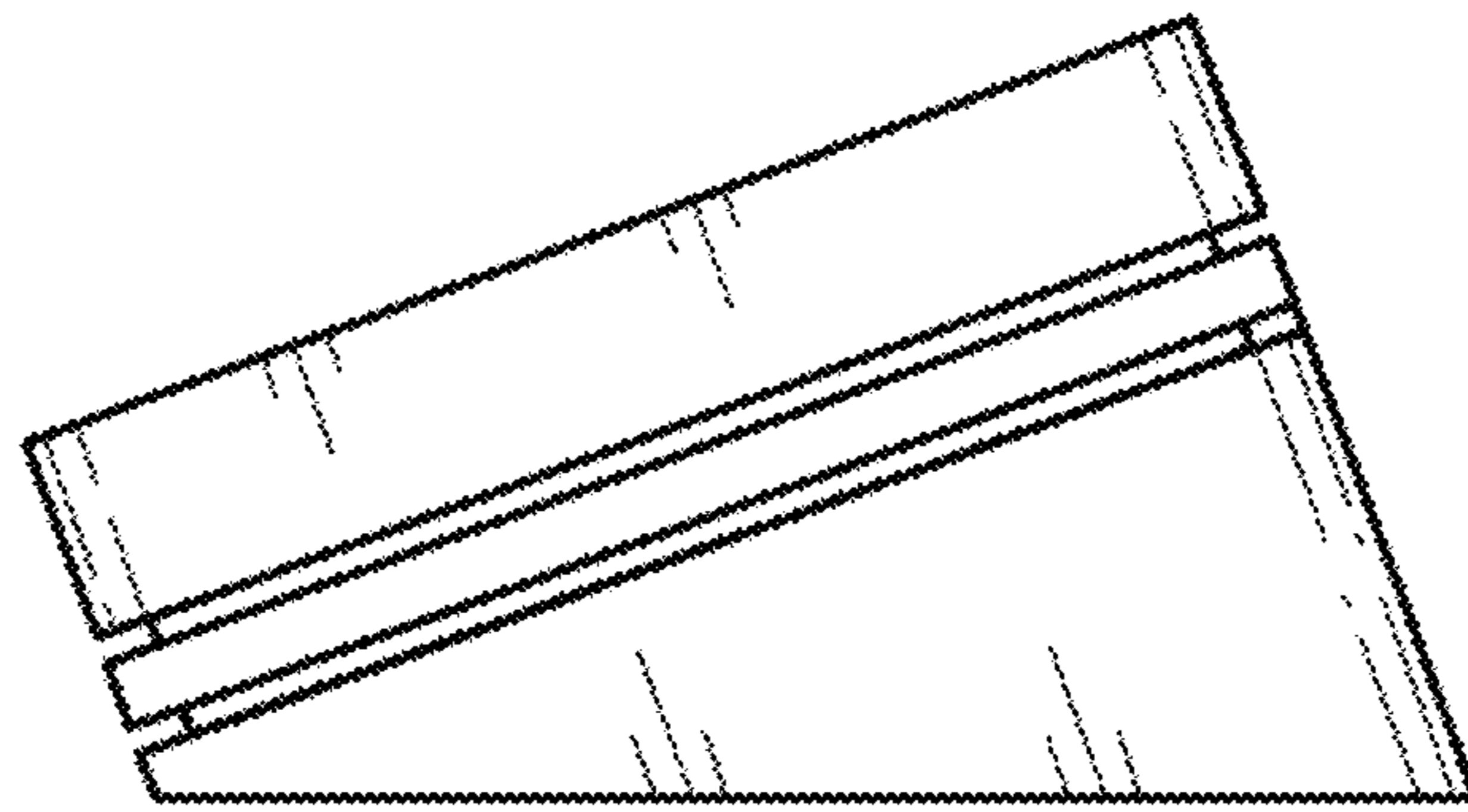
1.3



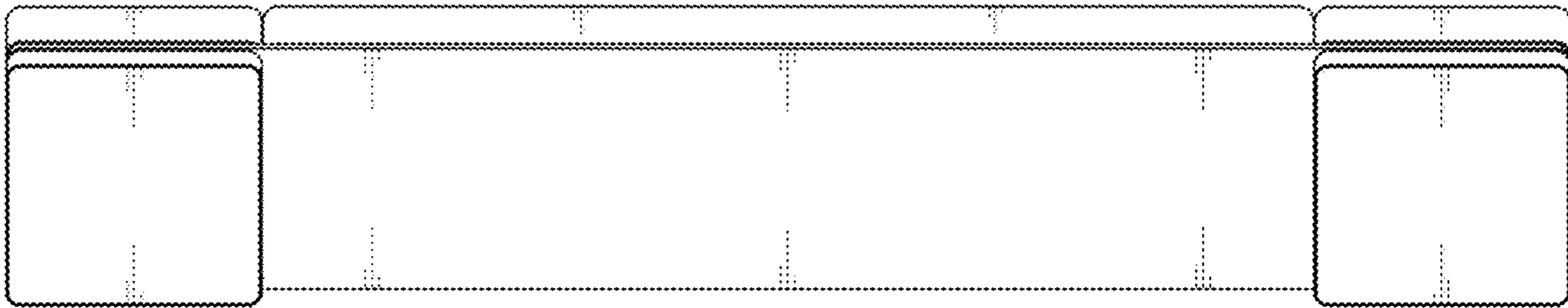
1.4



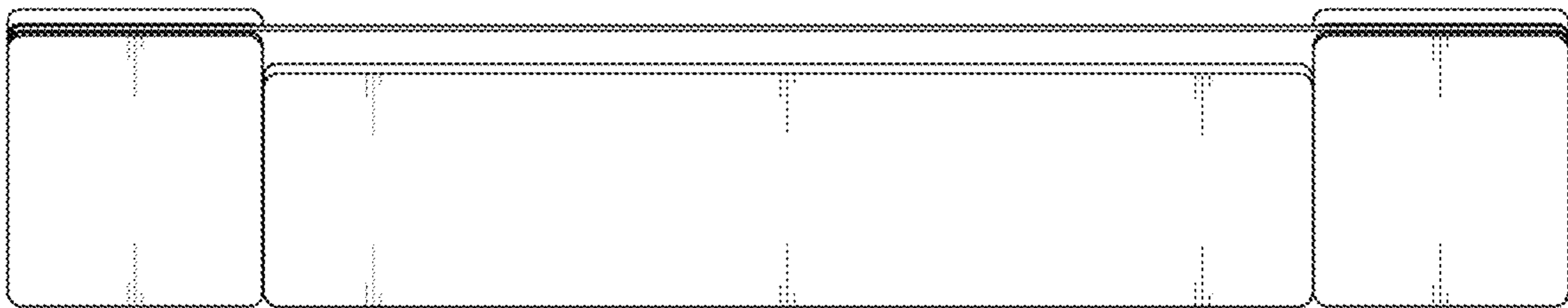
1.5



1.6



1.7



1.8

