



US00D822001S

(12) **United States Design Patent**
Won et al.

(10) **Patent No.:** **US D822,001 S**

(45) **Date of Patent:** **** Jul. 3, 2018**

(54) **AUDIO VISUAL BOX FOR TV RECEIVER**

H04R 19/02; H04F 2400/00; H04F 2400/07; H04F 2400/11; G06F 1/16

See application file for complete search history.

(71) Applicant: **LG ELECTRONICS INC.**, Seoul (KR)

(56) **References Cited**

(72) Inventors: **Hyojin Won**, Seoul (KR); **Hyeyoung Hong**, Seoul (KR); **Yongho Lee**, Seoul (KR); **Youngkyoung Kim**, Seoul (KR)

U.S. PATENT DOCUMENTS

D239,536 S * 4/1976 Chamida, Jr. D14/242
D538,266 S * 3/2007 Yoon D14/211
D599,782 S * 9/2009 Tse D14/209.1
D647,505 S * 10/2011 Skurdal D14/209.1

(Continued)

(73) Assignee: **LG ELECTRONICS INC.**, Seoul (KR)

OTHER PUBLICATIONS

(**) Term: **15 Years**

Yamaha YAS-203 Sound Bar, posted at Amazon, posting date Aug. 11, 2014. [online][site visited Mar. 24, 2018] URL: <<https://www.amazon.com/Yamaha-YAS-203-Bluetooth-Wireless-Subwoofer/dp/B00MIYEJ9Y>> (Year: 2014).*

(Continued)

(21) Appl. No.: **35/502,858**

(22) Filed: **Oct. 25, 2016**

Primary Examiner — George D. Kirschbaum

Assistant Examiner — Kathleen L Jones

(74) *Attorney, Agent, or Firm* — Birch, Stewart, Kolasch & Birch, LLP

(80) **Hague Agreement Data**

Int. Filing Date: **Oct. 25, 2016**

Int. Reg. No.: **DM/093231**

Int. Reg. Date: **Oct. 25, 2016**

Int. Reg. Pub. Date: **Apr. 28, 2017**

(57) **CLAIM**

The ornamental design for an audio visual box for TV receiver, as shown and described.

(30) **Foreign Application Priority Data**

Apr. 27, 2016 (KR) 30-2016-0020196

(51) **LOC (11) Cl.** **14-03**

(52) **U.S. Cl.**
USPC **D14/214**

(58) **Field of Classification Search**

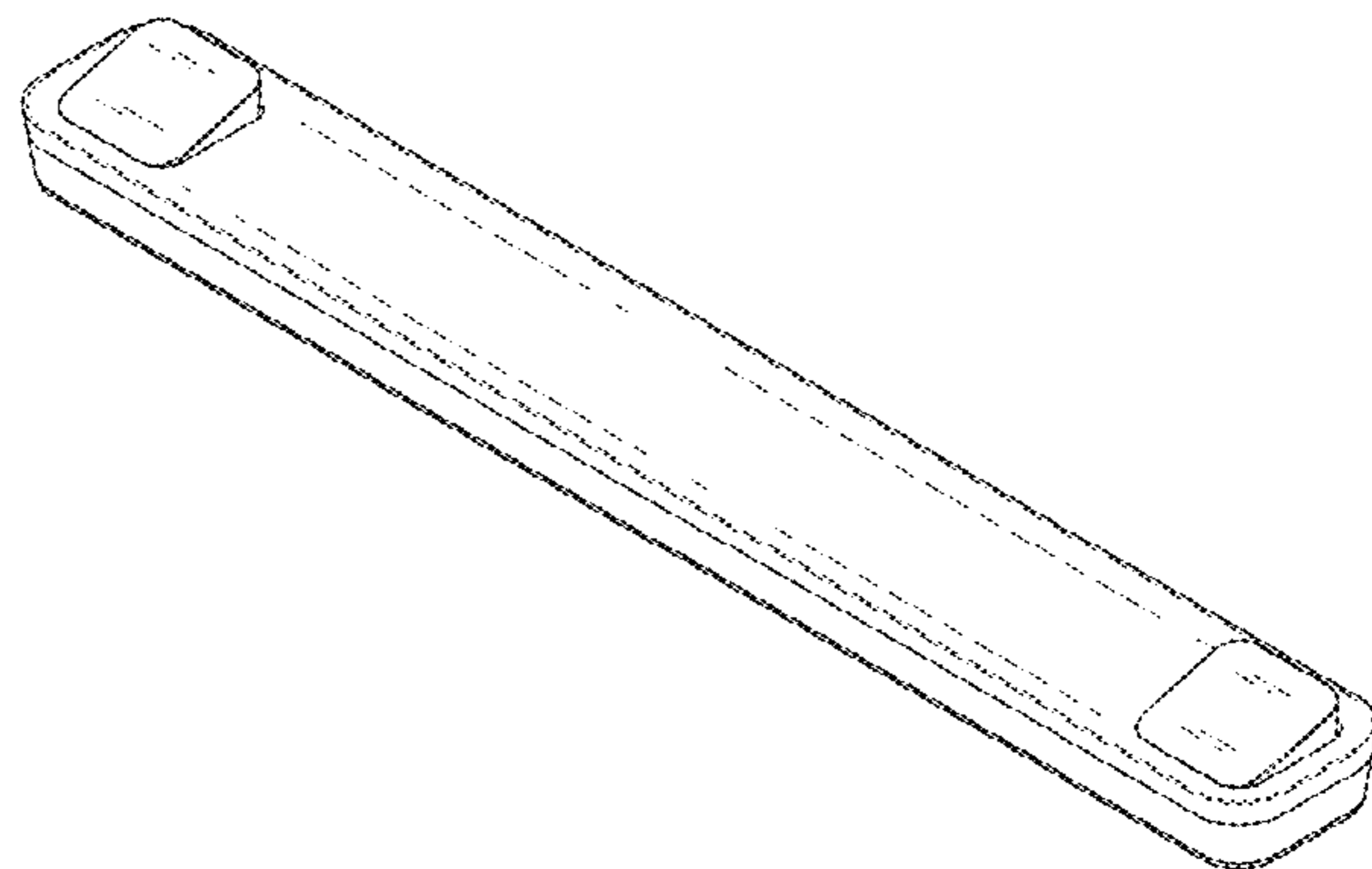
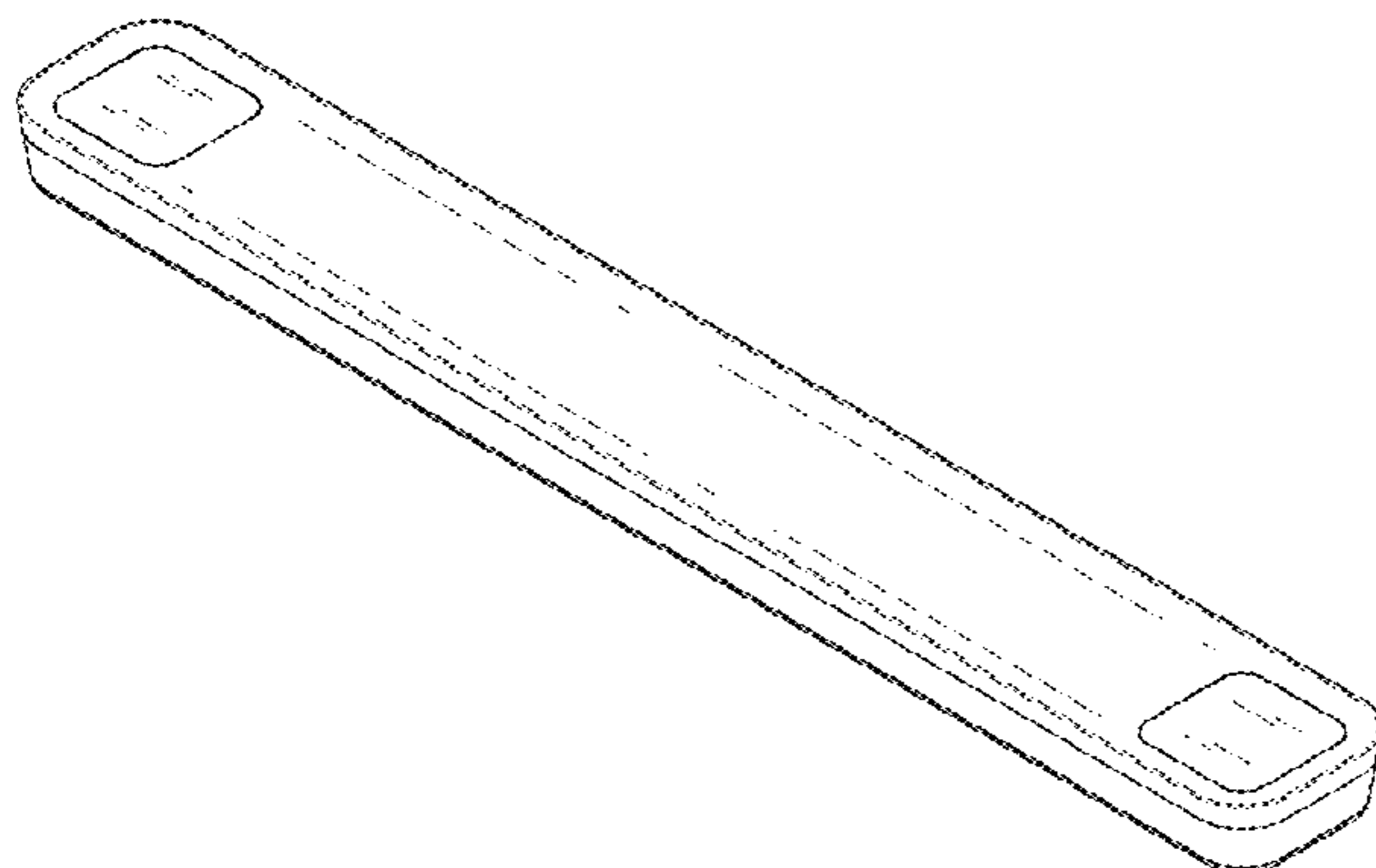
USPC D14/125-126, 129, 132-133, 375-376, D14/451, 221, 224, 224.1, 239, 242, 204, D14/209.1, 210, 211, 214-216, 357-358, D14/496, 172, 194-195

CPC . B60R 11/0217; B60R 11/0223; H04R 1/023; H04R 1/025; H04R 1/323; H04R 5/02;

DESCRIPTION

1. Audio visual box for TV receiver
- 1.1 is a perspective view of an audio visual box for TV receiver.
- 1.2 is a front view thereof.
- 1.3 is a back view thereof.
- 1.4 is a left side view thereof.
- 1.5 is a right side view thereof.
- 1.6 is a top view thereof.
- 1.7 is a bottom view thereof.
- 1.8 is a perspective view of an audio visual box for TV receiver in an alternate position.
- 1.9 is a front view thereof.

(Continued)



- 1.10 is a back view thereof.
- 1.11 is a left side view thereof.
- 1.12 is a right side view thereof.
- 1.13 is a top view thereof.
- 1.14 is a bottom view thereof.

1 Claim, 14 Drawing Sheets

(56) **References Cited**

U.S. PATENT DOCUMENTS

D677,245 S * 3/2013 Joseph D14/204
D688,228 S * 8/2013 Ryu D14/209.1
D703,191 S * 4/2014 Woo D14/204
D774,491 S * 12/2016 Kim D14/214
D784,952 S * 4/2017 Fleming, Jr. D14/203.7

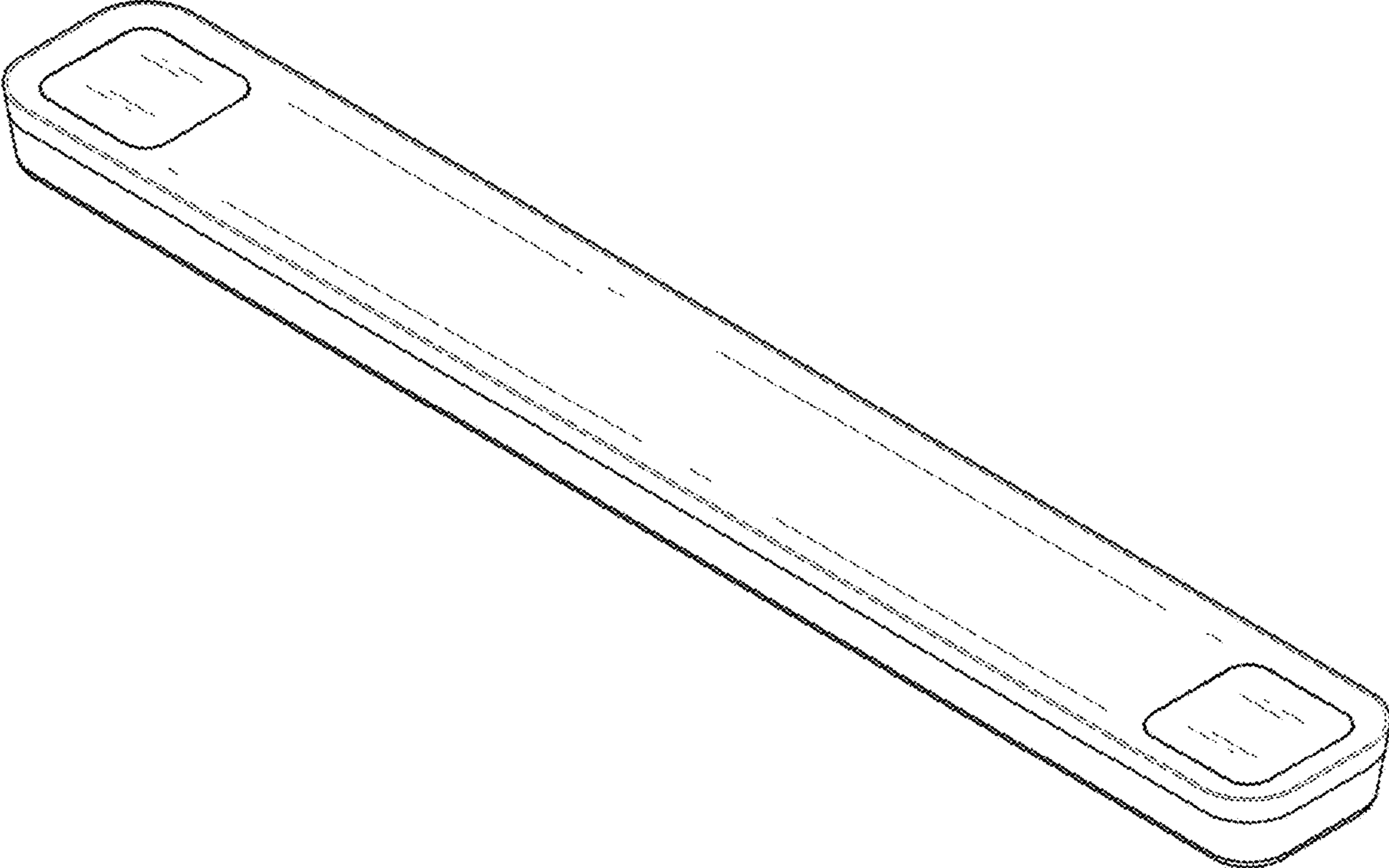
OTHER PUBLICATIONS

Larsen, Rasmus, LG brings Dolby Atmos to SJ9 soundbar, posted at FlatpanelsHD, posting date Jan. 10, 2017. [online][site visited Mar. 13, 2018] URL: <<https://www.flatpanelshd.com/news.php?subaction=showfull&id=1484046315>> (Year: 2017).*

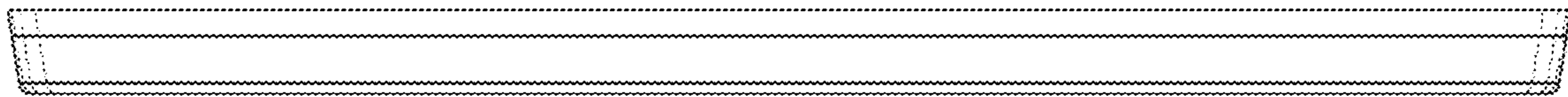
Trager, Christian, Sony HT-NT5: test of the TV speaker, posted at Computerbild, posting date Aug. 25, 2016. [online][site visited Mar. 13, 2018] URL: <<http://www.computerbild.de/artikel/avf-Tests-Audio-Sony-HT-NT5-Soundbar-TV-Lautsprecher-Test-16201547.html>> (Year: 2016).*

* cited by examiner

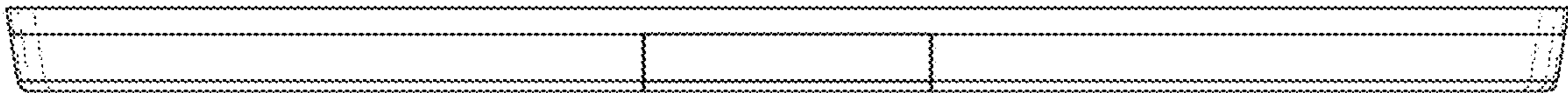
1.1



1.2



1.3



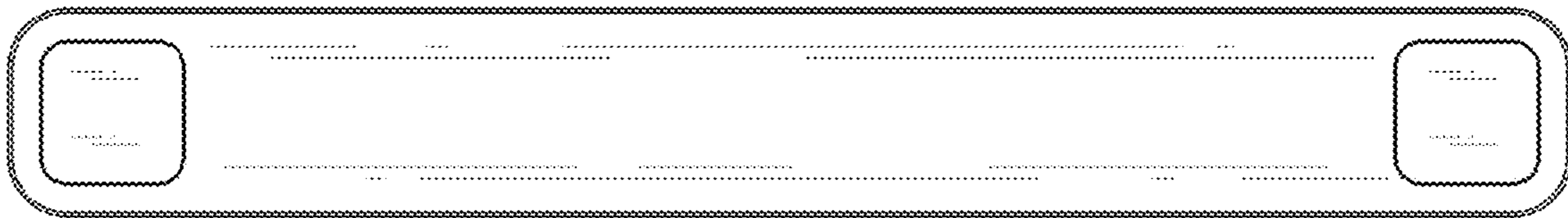
1.4



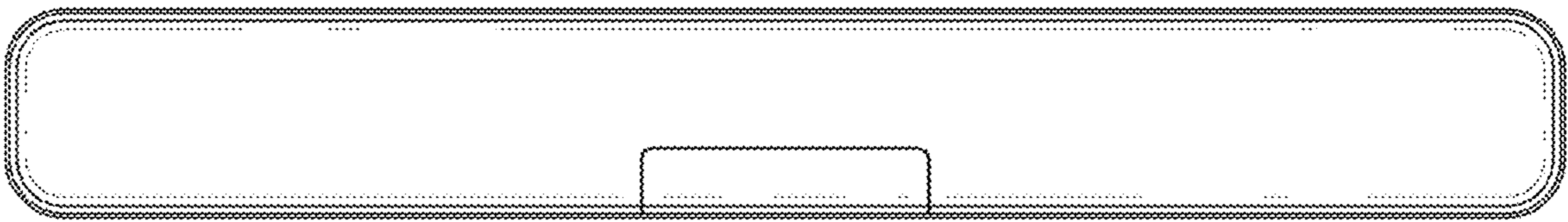
1.5



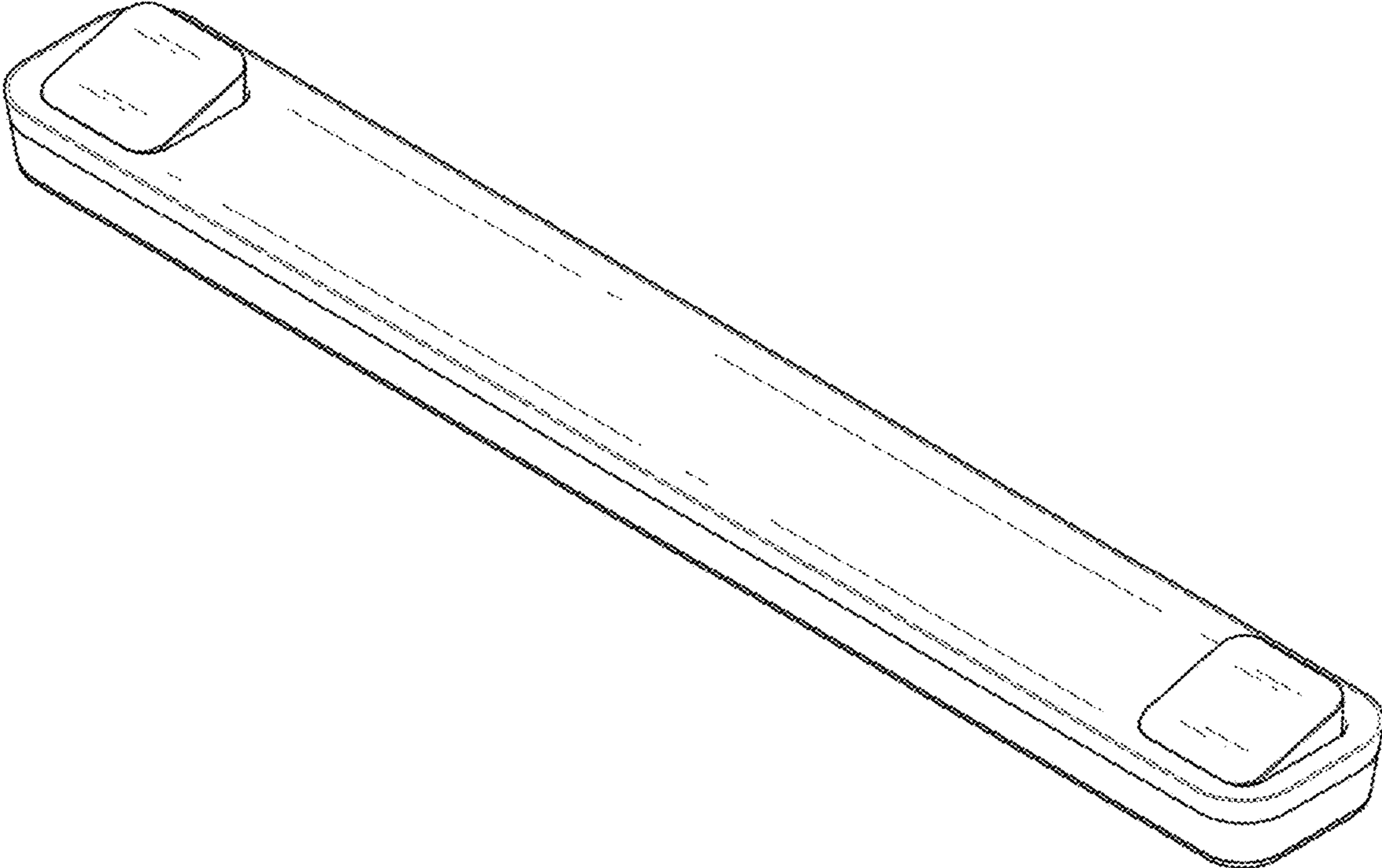
1.6



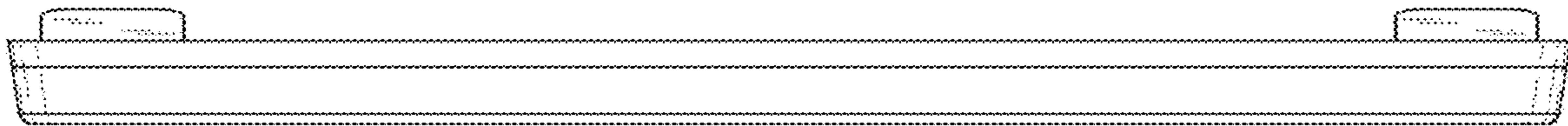
1.7



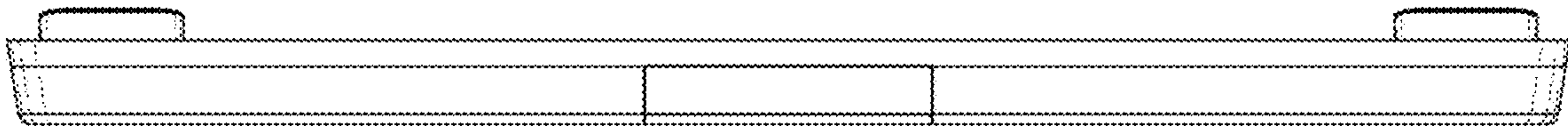
1.8



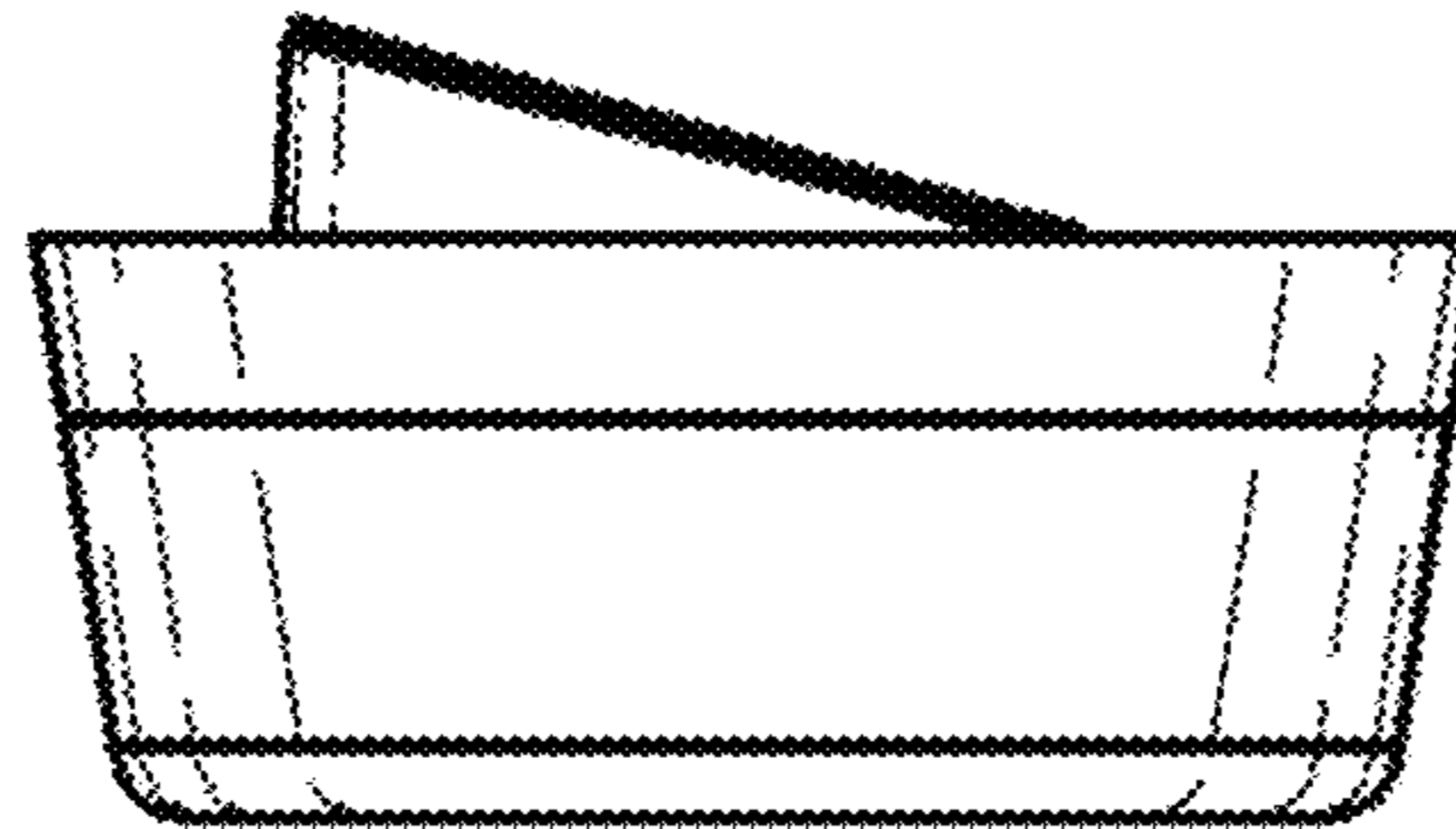
1.9



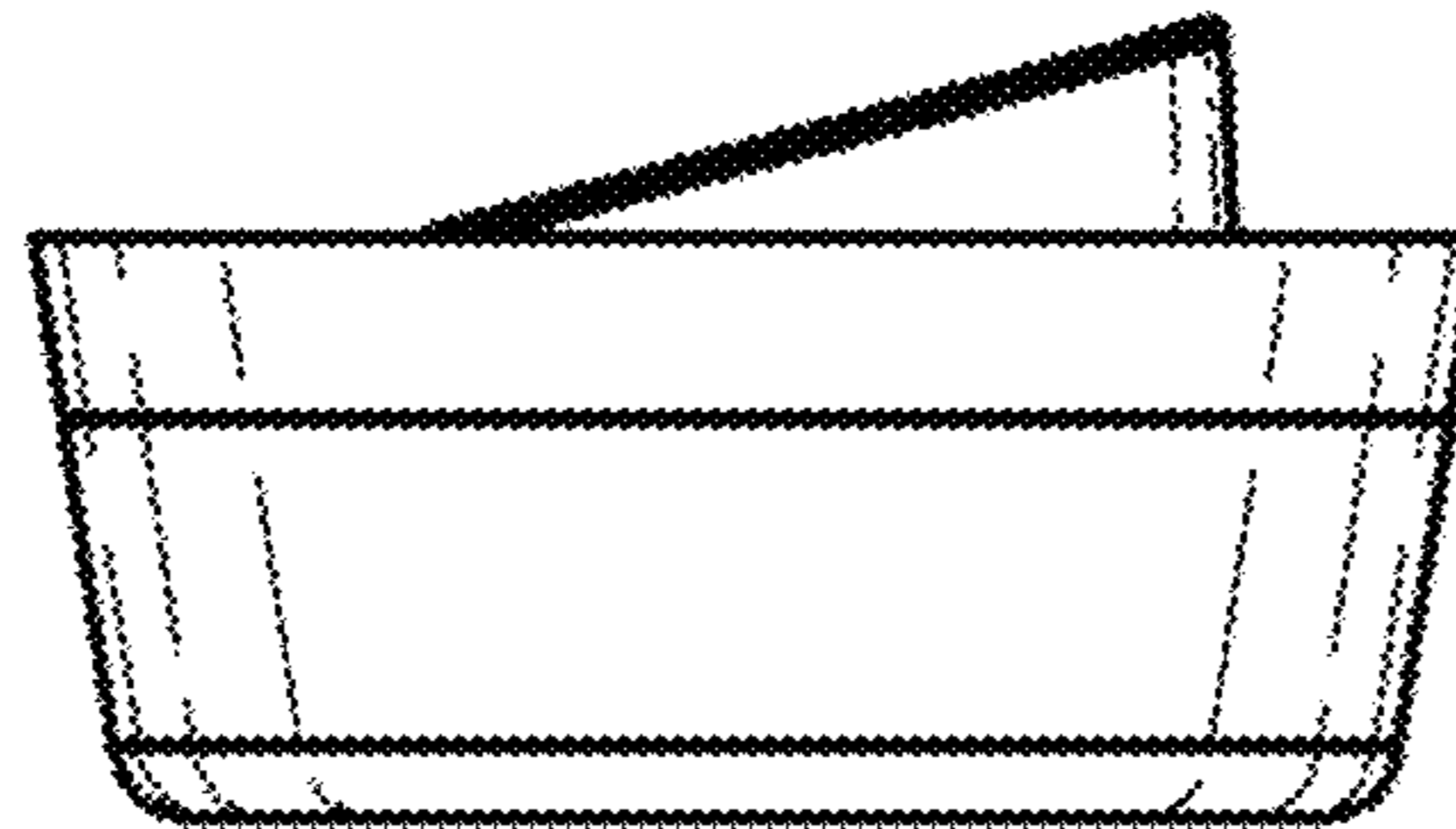
1.10



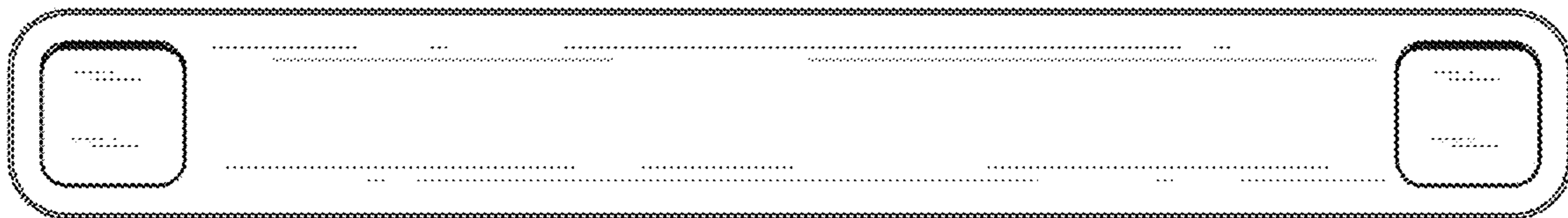
1.11



1.12



1.13



1.14

