



US00D821999S

(12) **United States Design Patent**
Guo

(10) **Patent No.:** **US D821,999 S**
(45) **Date of Patent:** **** Jul. 3, 2018**

(54) **EARPHONE**

(71) Applicant: **Yong Guo**, Guangdong (CN)

(72) Inventor: **Yong Guo**, Guangdong (CN)

(**) Term: **15 Years**

(21) Appl. No.: **29/600,363**

(22) Filed: **Apr. 12, 2017**

(51) **LOC (11) Cl.** **14-01**

(52) **U.S. Cl.**
USPC **D14/205**

(58) **Field of Classification Search**
USPC D14/205, 223, 188, 192, 218; D13/168;
379/430, 431, 420.03; 181/129, 130,
181/135; 381/380, 381, 374, 370, 74,
381/372, 373, 386; 455/90.3, 575.1,
455/569.1
CPC H04R 1/10; H04R 1/1033; H04R 1/105;
H04R 1/1066; H04R 5/033; H04R
5/0335; H04R 1/1091; H04R 1/20; H04R
1/02; H04R 1/1016

See application file for complete search history.

(56) **References Cited**

U.S. PATENT DOCUMENTS

3,049,582	A *	8/1962	Shinn	H01R 4/70 174/92
D314,964	S *	2/1991	Chung	D14/188
D316,550	S *	4/1991	Sogabe	D14/168
D326,655	S *	6/1992	Iribe	D14/192
D392,979	S *	3/1998	Inukai	D14/228
6,122,369	A *	9/2000	Hwang	H04M 1/6058 379/420.03
D435,580	S *	12/2000	Grinkus	D14/218
D446,499	S *	8/2001	Andre	D13/110
D458,246	S *	6/2002	Davies	D14/206
D465,476	S *	11/2002	Golding	D14/223
D473,217	S *	4/2003	Rivera	D14/223

D475,996	S *	6/2003	Skulley	D14/223
D539,782	S *	4/2007	Lee	D14/188
D542,782	S *	5/2007	Pena Angarita	D14/223
D554,627	S *	11/2007	Gondo	D14/223
D555,152	S *	11/2007	Wang	D14/223
D569,841	S *	5/2008	Chung	D14/205
D572,703	S *	7/2008	Ledbetter	D14/205
D573,978	S *	7/2008	Ledbetter	D14/205
D575,268	S *	8/2008	Christopher	D14/205
D582,354	S *	12/2008	Andre	D13/158
D587,685	S *	3/2009	Densho	D14/206
D589,493	S *	3/2009	Densho	D14/206
D594,441	S *	6/2009	Lee	D14/205
D597,071	S *	7/2009	Andre	D14/206
D598,894	S *	8/2009	Masuda	D14/205
D599,778	S *	9/2009	Ando	D14/205
D603,378	S *	11/2009	Paradise	D14/223
D603,837	S *	11/2009	Martin	D14/206
D614,166	S *	4/2010	Brickstad	D14/205
D625,294	S *	10/2010	Wada	D14/218
D643,416	S *	8/2011	Chong	D14/223

(Continued)

Primary Examiner — Paula Allen Greene

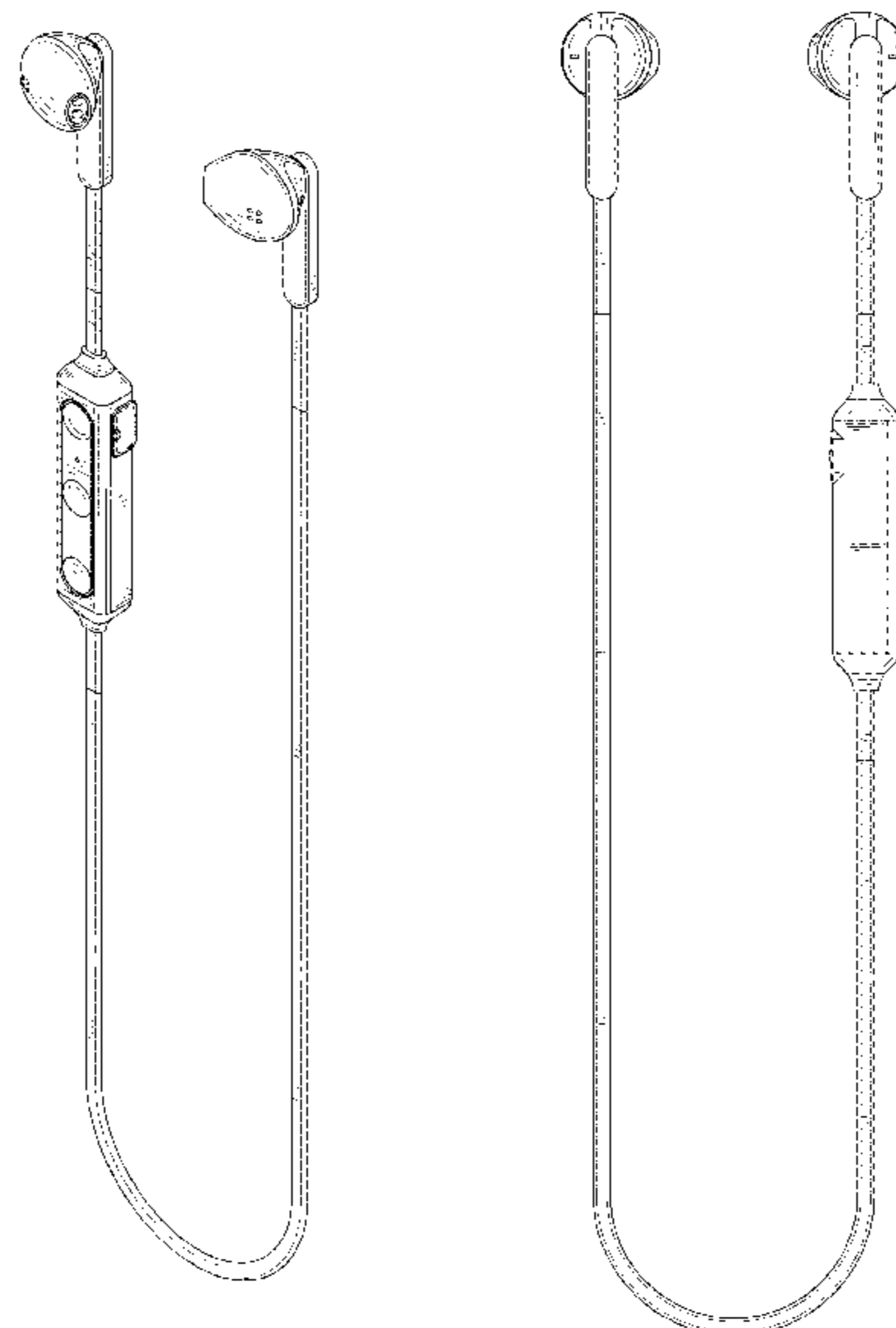
(57) **CLAIM**

The ornamental design for an earphone, as shown and described.

DESCRIPTION

FIG. 1 is a first perspective view of an earphone showing my new design;
FIG. 2 is a second perspective view thereof;
FIG. 3 is a front elevational view thereof;
FIG. 4 is a rear elevational view thereof;
FIG. 5 is a left side view thereof;
FIG. 6 is a right side view thereof;
FIG. 7 is a top plan view thereof; and,
FIG. 8 is a bottom plan view thereof.
The broken lines in the drawings illustrate portions of the earphone which form no part of the claimed design.

1 Claim, 8 Drawing Sheets



(56)

References Cited

U.S. PATENT DOCUMENTS

D660,290 S * 5/2012 Weedon D14/223
 8,422,717 B2 * 4/2013 Lin H04R 1/1091
 181/129
 D682,808 S * 5/2013 Fletcher D14/205
 D685,750 S * 7/2013 Nakagawa D13/168
 D685,764 S * 7/2013 Coulter D14/205
 D695,724 S * 12/2013 Ishikura D14/223
 D698,750 S * 2/2014 Yoon D14/205
 D712,371 S * 9/2014 Henning D14/205
 D716,268 S * 10/2014 Yamamoto D14/218
 D718,273 S * 11/2014 Harata D14/205
 D718,286 S * 11/2014 Yang D14/223
 D719,550 S * 12/2014 Yang D14/223
 D727,871 S * 4/2015 Orbach D14/205
 D733,101 S * 6/2015 Pi D14/223
 D733,689 S * 7/2015 Narita D14/223
 D743,381 S * 11/2015 Pi D14/218
 D757,682 S * 5/2016 Perez D14/205
 D758,353 S * 6/2016 Akana D14/218
 D760,189 S * 6/2016 Loh Jun Kern D14/205
 D773,435 S * 12/2016 Ott D14/205
 D780,155 S * 2/2017 Levine D14/205

D780,157 S * 2/2017 Uggla D14/205
 D782,442 S * 3/2017 Chen D14/205
 D784,962 S * 4/2017 Yang D14/223
 D785,594 S * 5/2017 Zaihui D14/205
 D793,995 S * 8/2017 Nakagawa D14/218
 D796,484 S * 9/2017 Chen D14/218
 D803,184 S * 11/2017 Loh Jun Kern D14/205
 D803,185 S * 11/2017 Loh Jun Kern D14/205
 D810,047 S * 2/2018 Tzeng D14/205
 D812,038 S * 3/2018 Nakajima D14/205
 2007/0189570 A1 * 8/2007 Matsuo H04R 1/1016
 381/382
 2011/0142276 A1 * 6/2011 Uchida H04R 1/1075
 381/370
 2011/0158455 A1 * 6/2011 Kim C08L 3/02
 381/370
 2012/0051574 A1 * 3/2012 Lin H04R 1/2803
 381/353
 2012/0093331 A1 * 4/2012 Lin H04R 1/1091
 381/71.6
 2013/0077815 A1 * 3/2013 Stephenson H04R 1/1033
 381/370
 2016/0316290 A1 * 10/2016 Shen H04R 1/1041

* cited by examiner

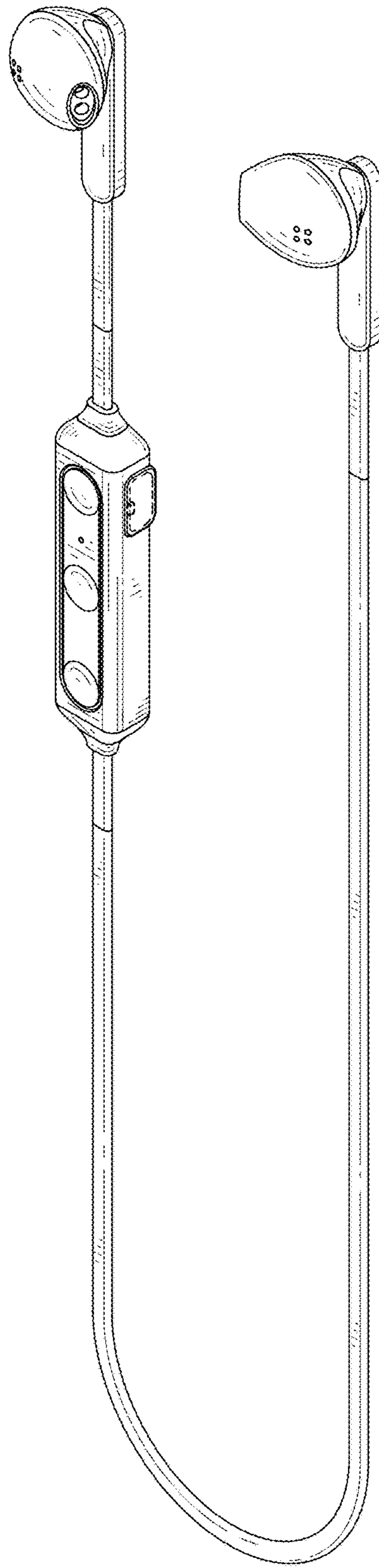


FIG. 1

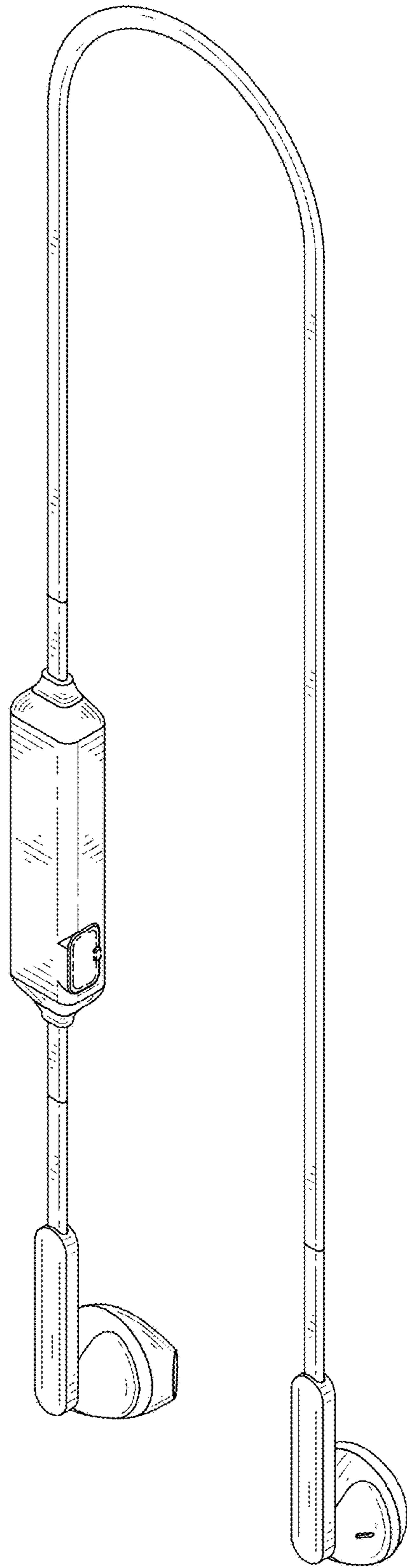


FIG. 2

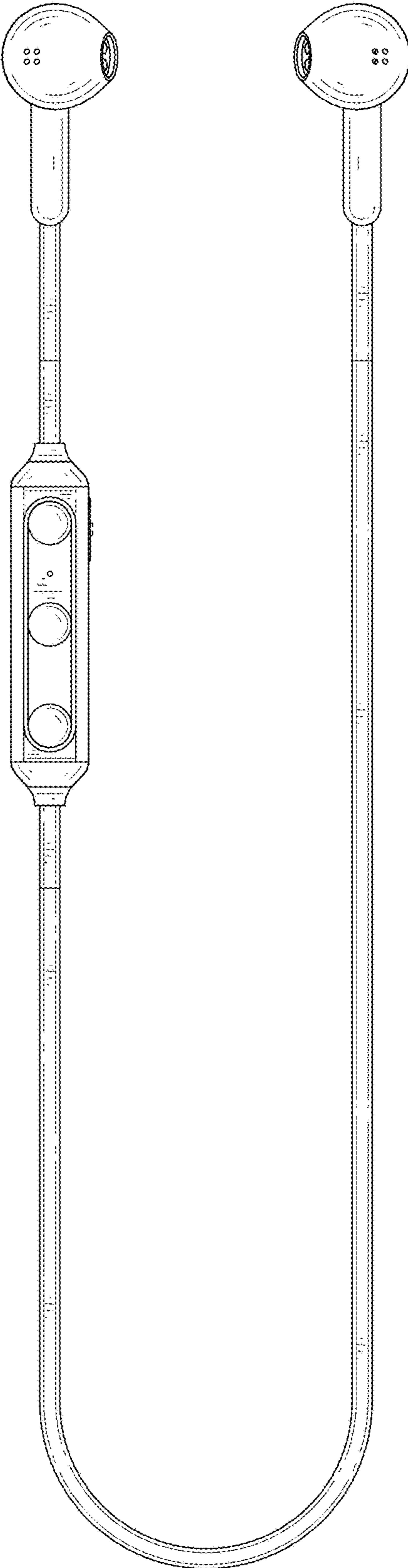


FIG. 3

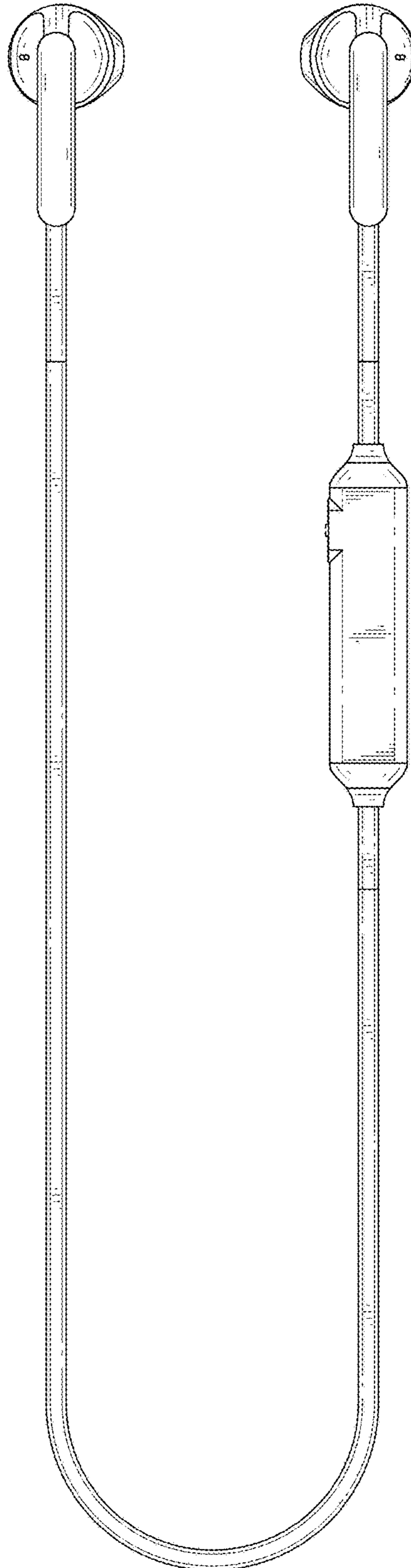


FIG. 4

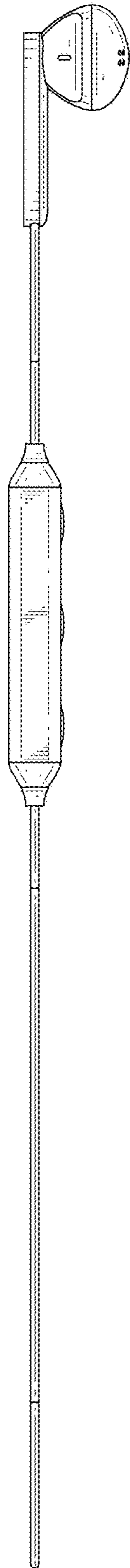


FIG. 5

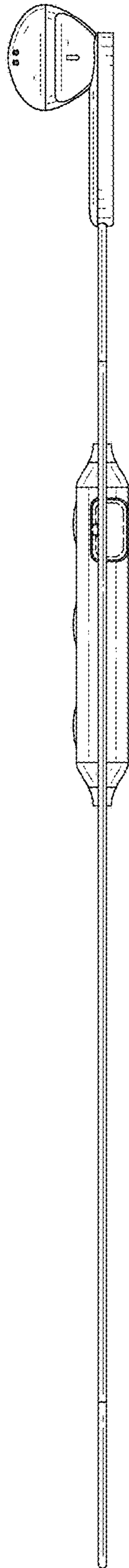


FIG. 6

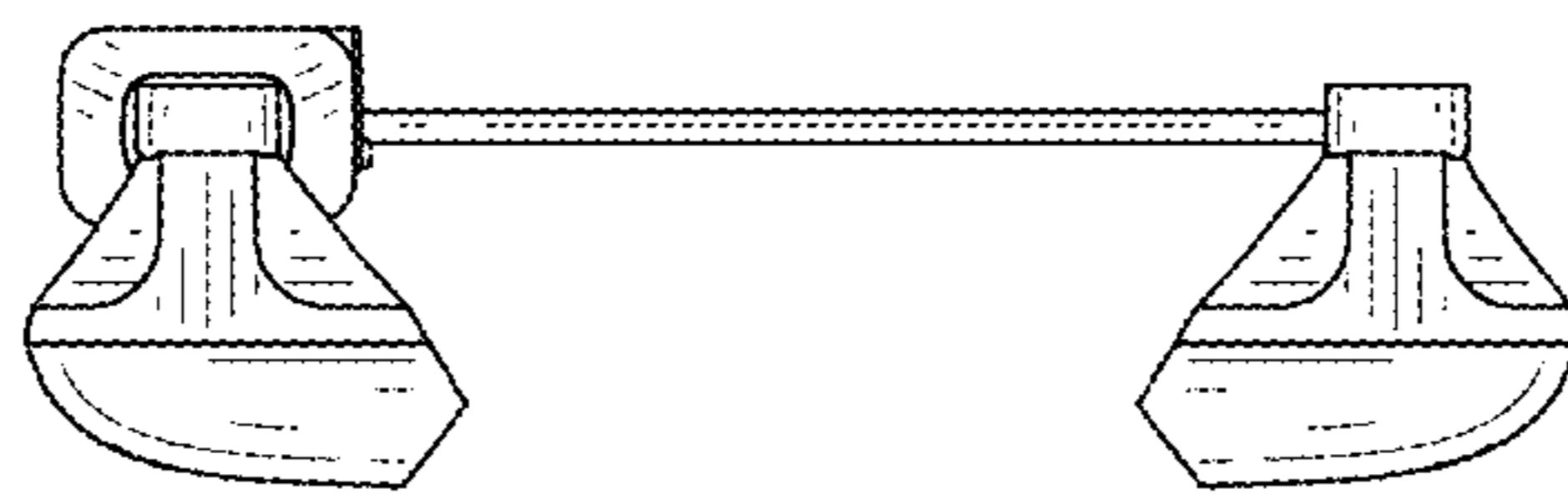


FIG. 7

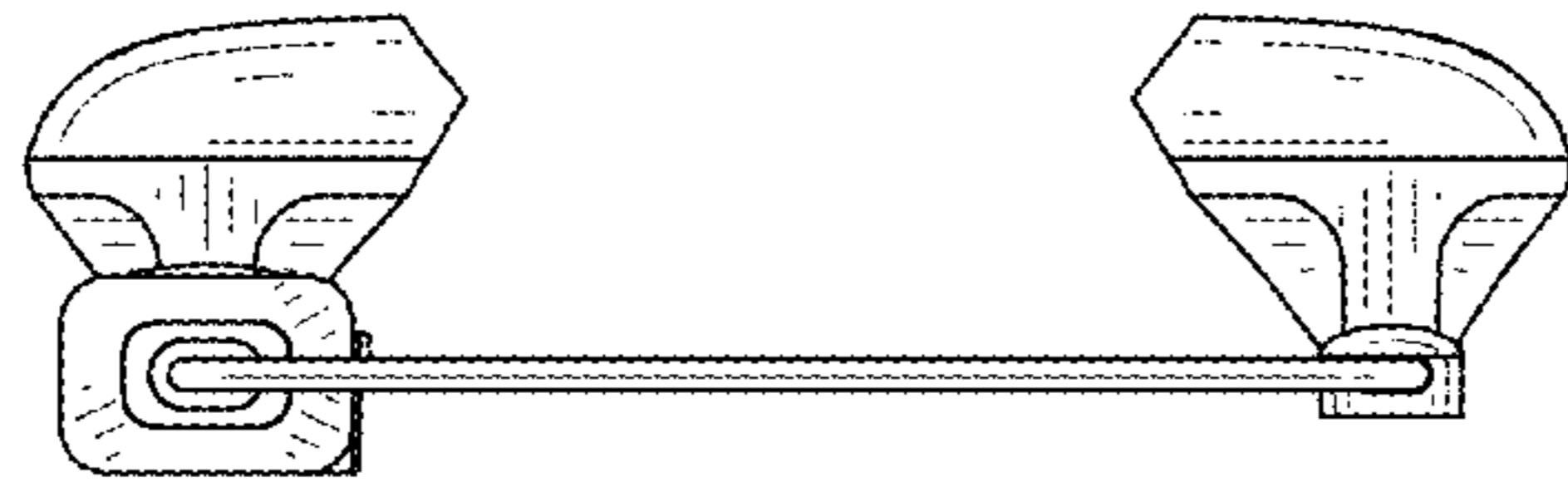


FIG. 8