



US00D821998S

(12) **United States Design Patent**  
**Yashiro et al.**

(10) **Patent No.:** **US D821,998 S**  
(45) **Date of Patent:** **\*\* Jul. 3, 2018**

(54) **HEADPHONE**

(71) Applicant: **Sony Corporation**, Tokyo (JP)

(72) Inventors: **Shogo Yashiro**, Kanagawa (JP);  
**Shunsuke Shiomi**, Tokyo (JP);  
**Takayuki Horikiri**, Kanagawa (JP)

(73) Assignee: **SONY CORPORATION**, Tokyo (JP)

(\*\*) Term: **15 Years**

(21) Appl. No.: **29/595,532**

(22) Filed: **Feb. 28, 2017**

(30) **Foreign Application Priority Data**

Aug. 30, 2016 (CN) ..... 2016 3 0444876

Aug. 30, 2016 (JP) ..... D2016-018566

(Continued)

(51) **LOC (11) Cl.** ..... **14-01**

(52) **U.S. Cl.**  
USPC ..... **D14/205**; D14/219

(58) **Field of Classification Search**  
USPC ..... D14/205, 219, 206, 204, 210, 215, 217,  
D14/221, 222; D13/162, 184, 199;  
(Continued)

(56) **References Cited**

**U.S. PATENT DOCUMENTS**

1,080,953 A \* 12/1913 Catucci ..... H04R 7/14  
181/164

1,135,451 A \* 4/1915 Heath ..... F04D 29/326  
416/189

(Continued)

*Primary Examiner* — Paula Allen Greene

(74) *Attorney, Agent, or Firm* — Michael Best and Friedrich LLP

(57) **CLAIM**

The ornamental design for a headphone, as shown and described.

**DESCRIPTION**

FIG. 1 is a front elevational view of a first embodiment of a headphone showing our new design;

FIG. 2 is an enlarged right side elevational view of a left side ear cup portion thereof showing the driver cover (partially claimed) behind the mesh screen (in broken lines not claimed) along the lines 2-3 and 2'-3' of FIG. 1, wherein the driver cover is seen through the hole of the ear pad, not claimed, and the mesh screen;

FIG. 3 is another enlarged right side elevational view of a left side ear cup portion thereof showing the driver cover (partially claimed) along lines 2-3 and 2'-3' of FIG. 1, wherein the mesh screen portion of FIG. 2 is removed;

FIG. 4 is an enlarged front elevational view of a dome shaped driver cover of the headphone of the embodiment of FIG. 1.

FIG. 5 is a enlarged partial cross sectional view of the left side ear cup portion thereof cut along the line 5-5 of FIG. 2; and

FIG. 6 is a further enlarged partial cross sectional view of the left side ear cup portion thereof cut along the lines 6-6 and 6'-6' of FIG. 5.

FIG. 7 is a front elevational view of a second embodiment of a headphone showing our new design;

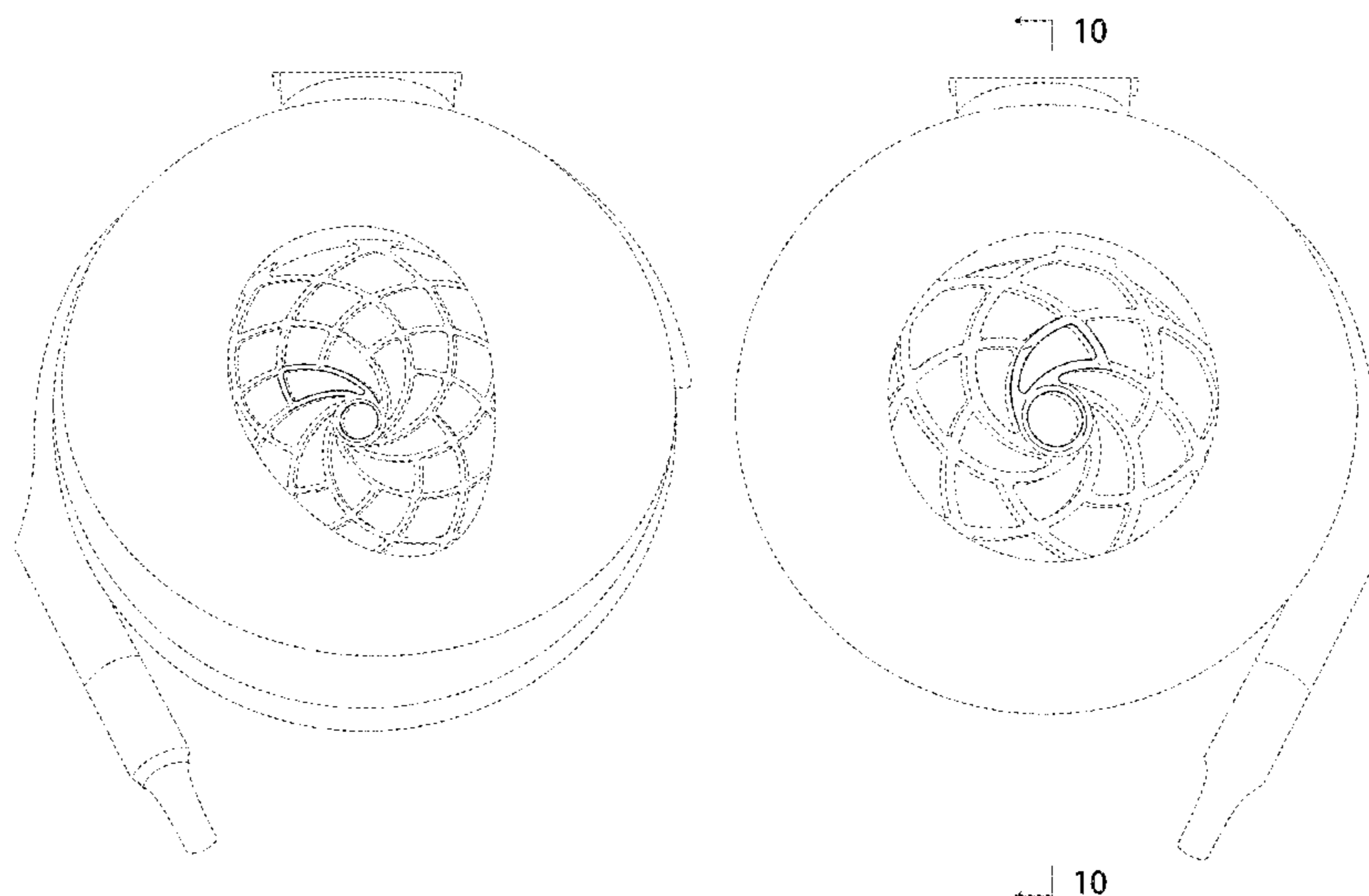
FIG. 8 is an enlarged right side elevational view of a left side ear cup portion thereof showing the driver cover (partially claimed) along the lines 8-8 and 8'-8' of FIG. 7;

FIG. 9 is an enlarged front elevational view of a dome shaped driver cover of the headphone of the embodiment of FIG. 7.

FIG. 10 is a enlarged partial cross sectional view of the left side ear cup portion thereof cut along the line 10-10 of FIG. 8; and,

FIG. 11 is a further enlarged partial cross sectional view of the left side ear cup portion thereof cut along the lines 11-11 and 11'-11' of FIG. 10.

**1 Claim, 10 Drawing Sheets**



**US D821,998 S**

**(30) Foreign Application Priority Data**

Aug. 30, 2016 (JP) ..... D2016-018567  
 Aug. 30, 2016 (JP) ..... D2016-018568  
 Aug. 30, 2016 (JP) ..... D2016-018569

**(58) Field of Classification Search**

USPC ..... D23/365, 412, 328, 370, 393, 388;  
 D5/47, 54; D24/189; D26/122; D8/382;  
 D25/153; 181/128, 129, 130, 135, 155;  
 381/404, 398, 380, 381; 52/670;  
 D29/112; 2/209  
 CPC ..... H04R 25/00; H04R 1/1016; H04R 1/10;  
 H04R 5/033; H04R 5/0335; H04R 1/02;  
 H04R 1/24; H04R 5/00; H04R 1/105  
 See application file for complete search history.

**(56) References Cited**

U.S. PATENT DOCUMENTS

1,873,062 A \* 8/1932 Sollie ..... H04R 9/04  
 181/172  
 1,882,974 A \* 10/1932 Schlenker ..... H04R 7/20  
 181/168  
 1,888,442 A \* 11/1932 Abrahams ..... H04R 1/30  
 181/155  
 1,978,920 A \* 10/1934 Van Deventer ..... H03J 1/04  
 181/141  
 1,990,420 A \* 2/1935 Staff ..... A42B 5/00  
 2/207  
 2,175,849 A \* 10/1939 Oliner ..... A45D 8/40  
 132/274  
 D185,505 S \* 6/1959 Lowell ..... D14/219  
 2,957,308 A \* 10/1960 Long ..... F02C 7/04  
 138/41  
 3,076,892 A \* 2/1963 Stiffel ..... F21V 11/06  
 362/232  
 3,276,538 A \* 10/1966 Guyton ..... H04R 1/30  
 181/141

3,294,242 A \* 12/1966 Notari ..... B01D 25/26  
 210/347  
 3,327,708 A \* 6/1967 Sokolowski ..... A61F 13/15642  
 156/290  
 D209,249 S \* 11/1967 Milletello ..... D23/412  
 3,362,501 A \* 1/1968 Lenahan ..... G01N 29/28  
 181/141  
 3,694,867 A \* 10/1972 Stumpf ..... A44B 18/0034  
 24/448  
 D227,677 S \* 7/1973 Koch ..... D14/219  
 D257,364 S \* 10/1980 Molenaar ..... D21/458  
 D335,529 S \* 5/1993 San-Jou ..... D23/324  
 D432,542 S \* 10/2000 Bath ..... D14/441  
 D451,595 S \* 12/2001 Chen ..... D23/382  
 6,377,145 B1 \* 4/2002 Kumagai ..... H04R 7/16  
 310/29  
 D457,512 S 5/2002 Yoneda  
 D457,874 S 5/2002 Yoneda  
 6,625,819 B1 \* 9/2003 Tsai ..... A61F 11/14  
 181/129  
 6,772,853 B2 \* 8/2004 Yang ..... H04R 1/1066  
 181/129  
 D506,551 S \* 6/2005 Booth ..... D24/162  
 D508,483 S \* 8/2005 Suzuki ..... D14/205  
 D531,952 S \* 11/2006 Sands ..... D12/211  
 D555,777 S \* 11/2007 Aveldson ..... D23/365  
 RE40,318 E 5/2008 Yoneda  
 D575,875 S \* 8/2008 Robinson ..... D24/206  
 D578,202 S \* 10/2008 Borges ..... D23/412  
 D609,328 S \* 2/2010 Mair ..... D23/388  
 D635,958 S \* 4/2011 Ando ..... D14/205  
 D654,920 S \* 2/2012 Wang ..... D14/441  
 D695,261 S 12/2013 Katsumata  
 D783,572 S \* 4/2017 Matthews ..... D14/205  
 D785,593 S \* 5/2017 Nakagawa ..... D14/205  
 2012/0082324 A1 \* 4/2012 Choi ..... H04R 1/1091  
 381/151  
 2014/0030104 A1 \* 1/2014 Lee ..... F04D 19/007  
 416/223 R

\* cited by examiner

FIG.1

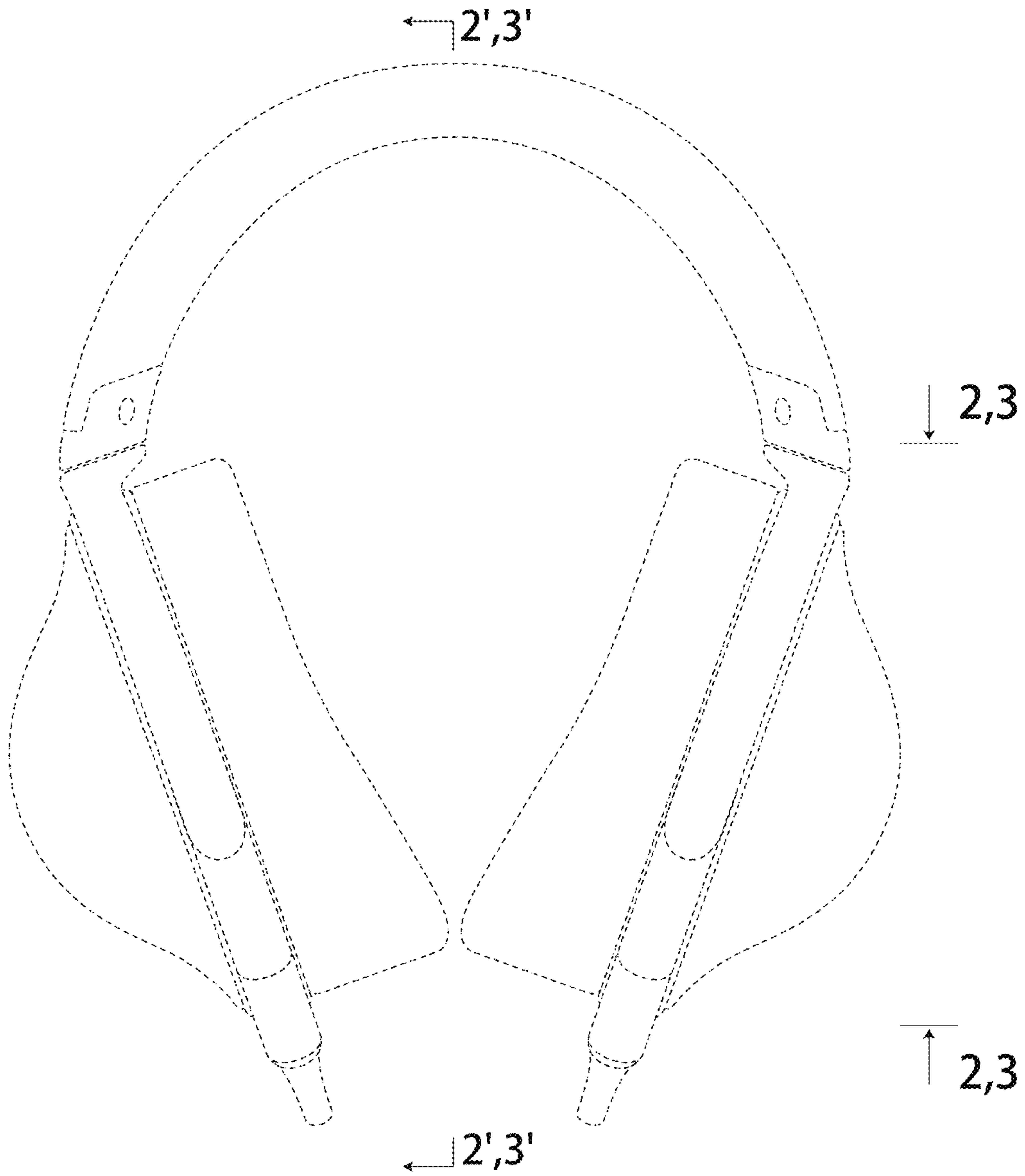


FIG.2

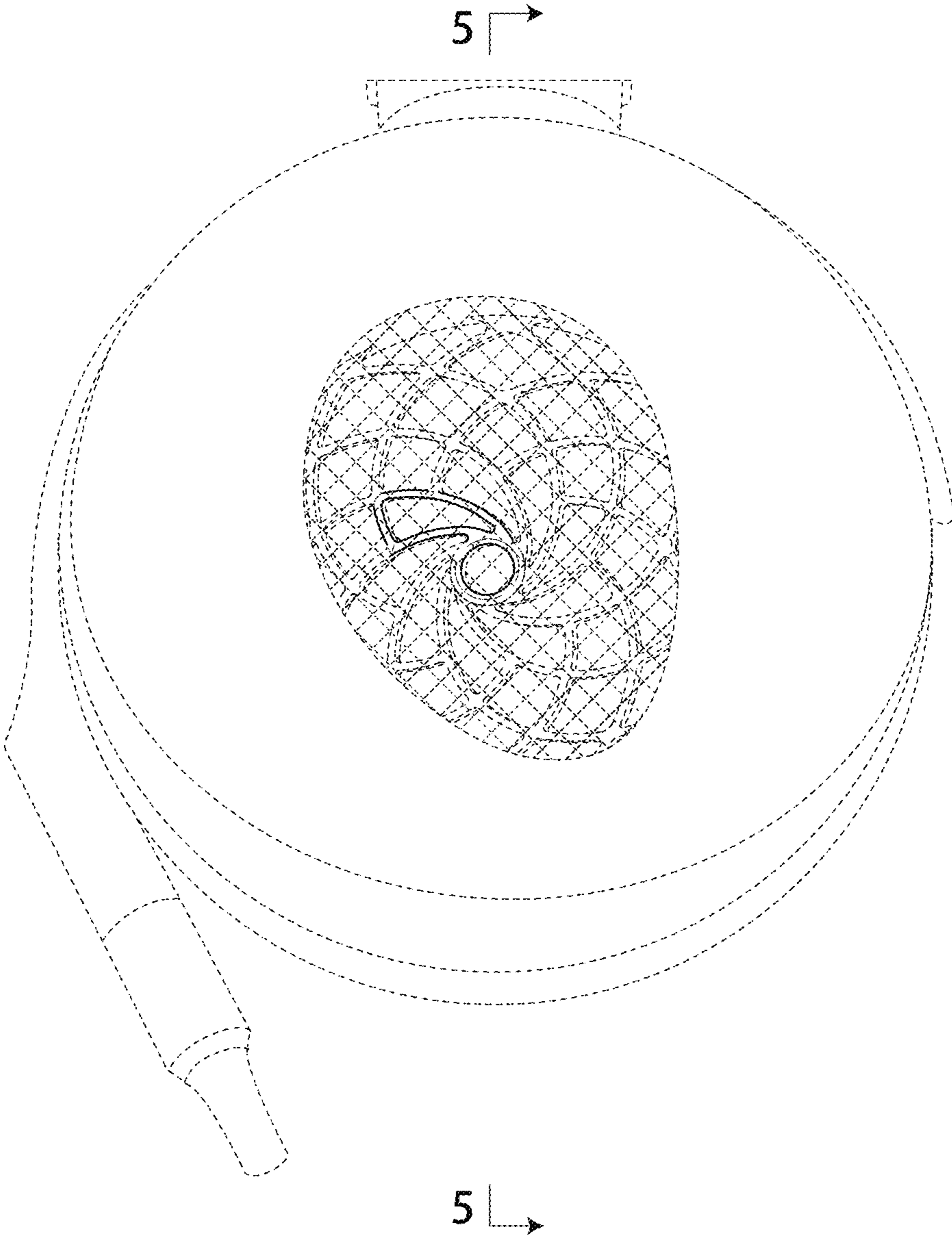


FIG.3

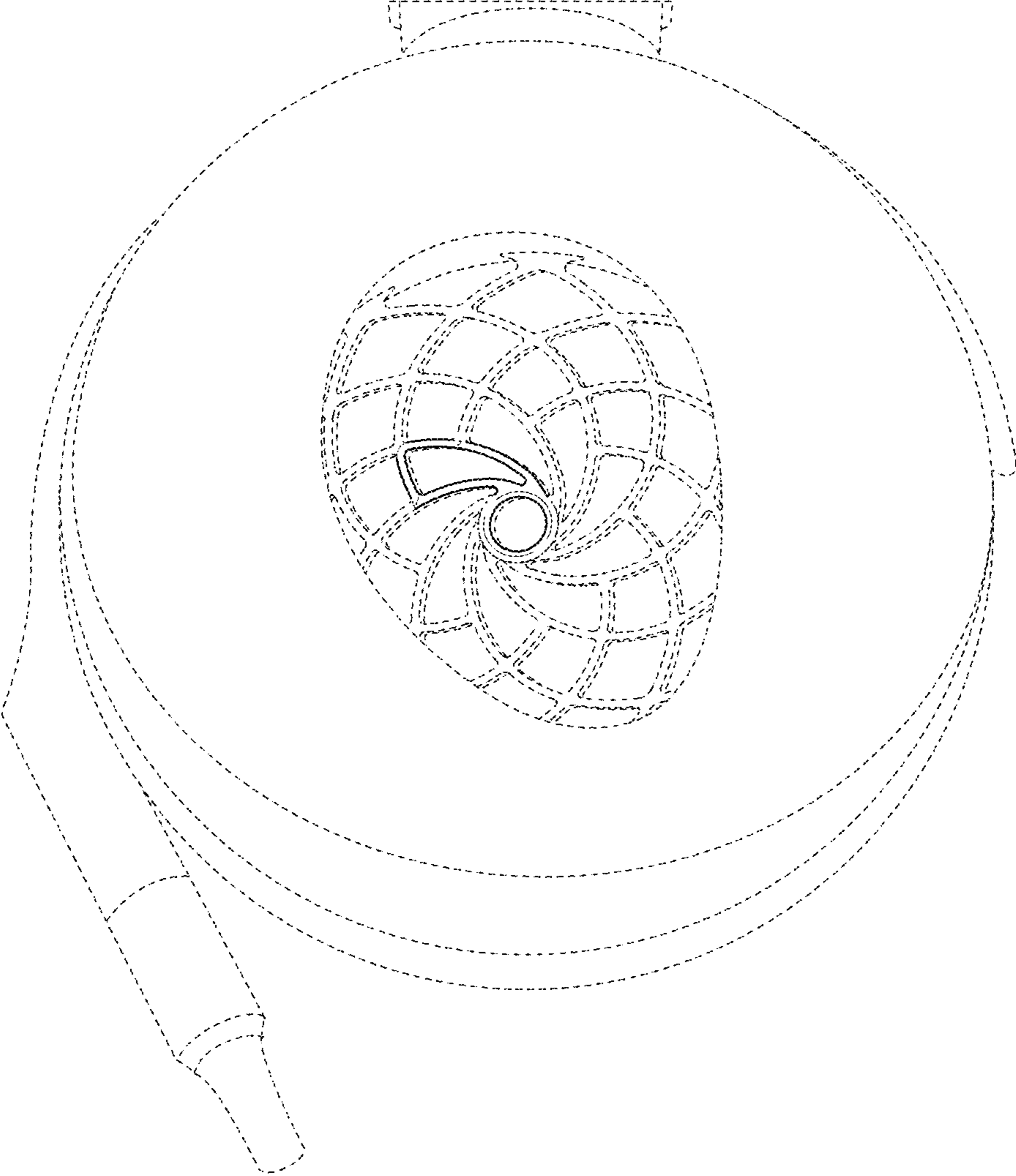


FIG.4

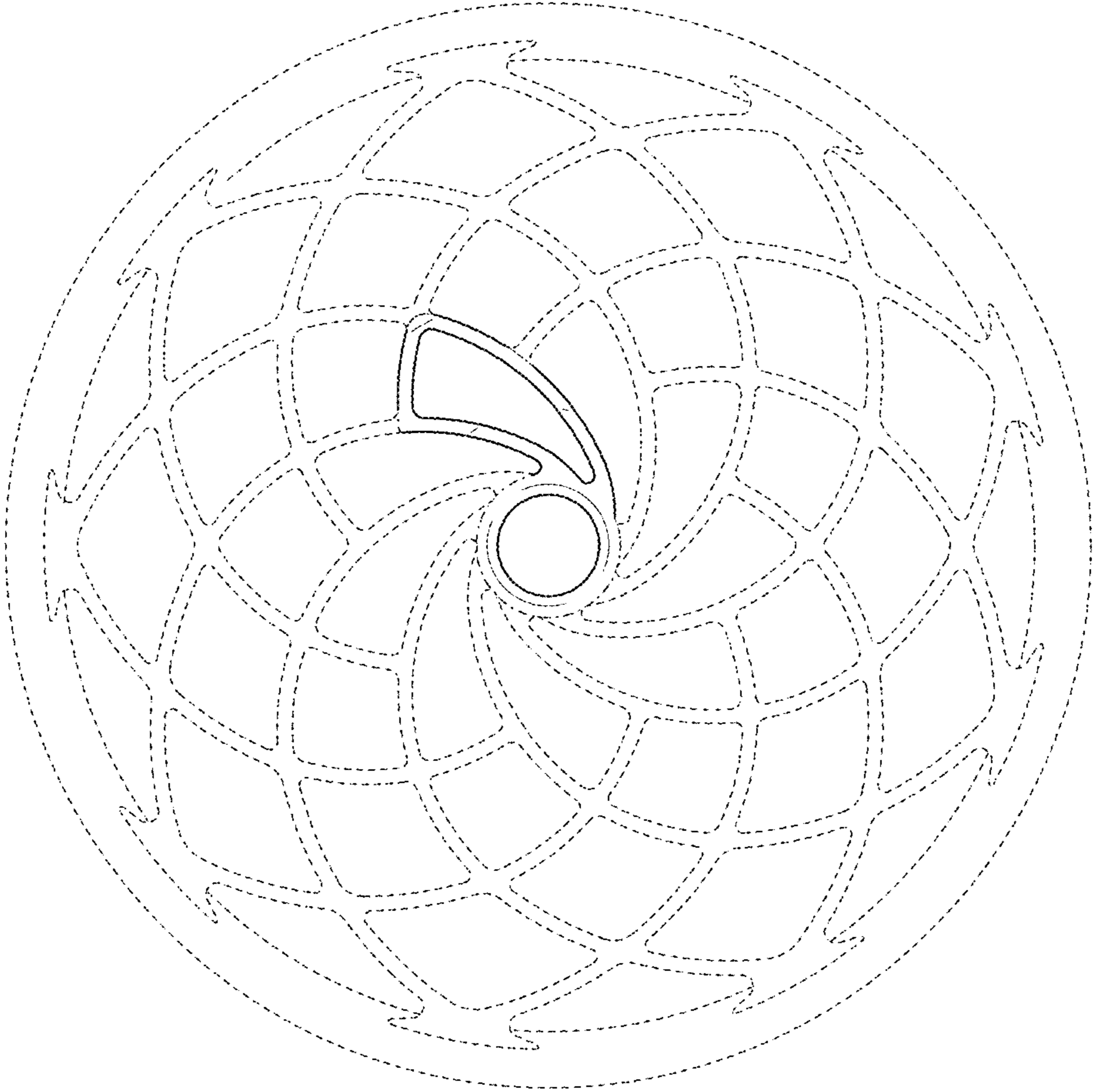


FIG.5

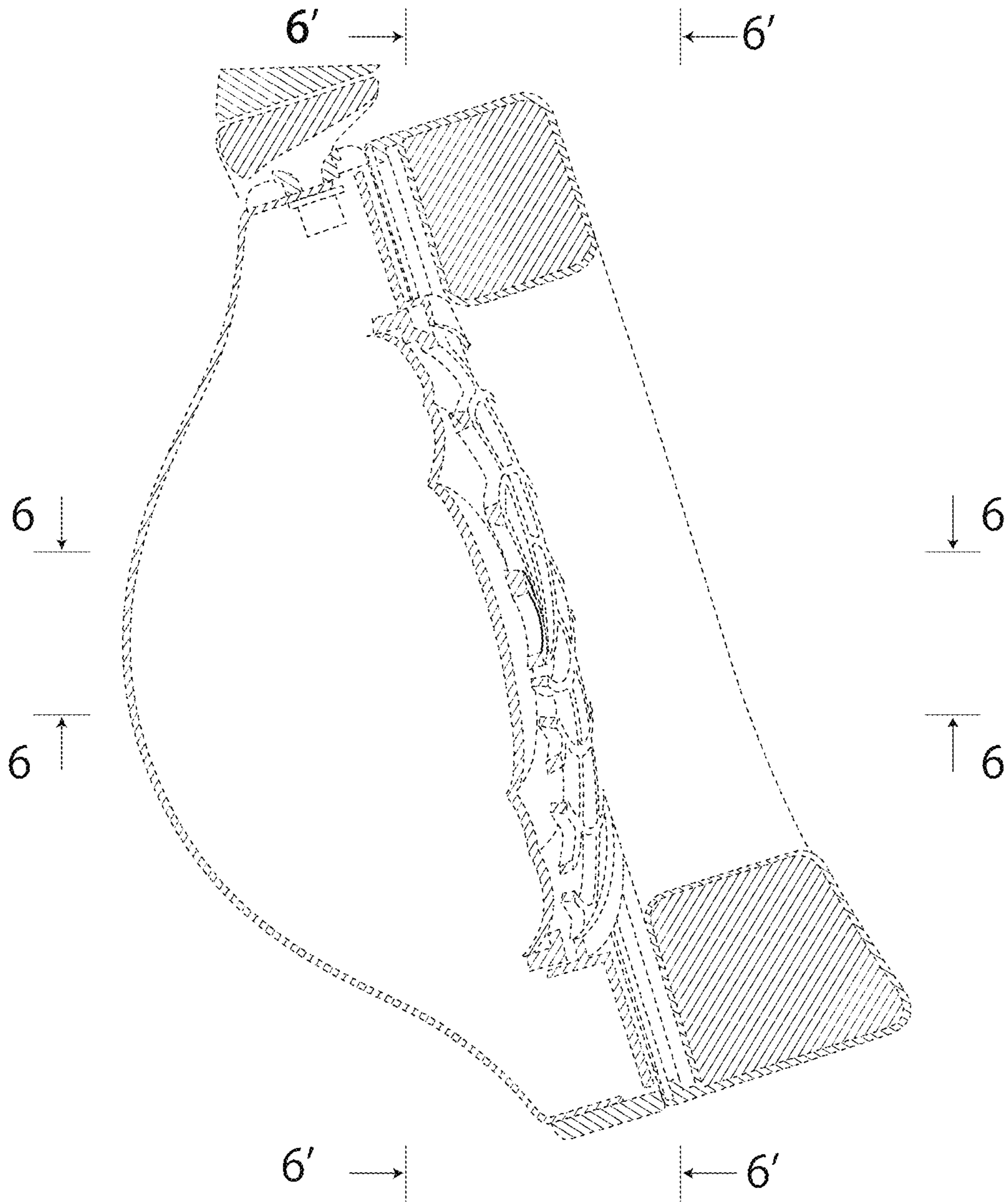


FIG.6

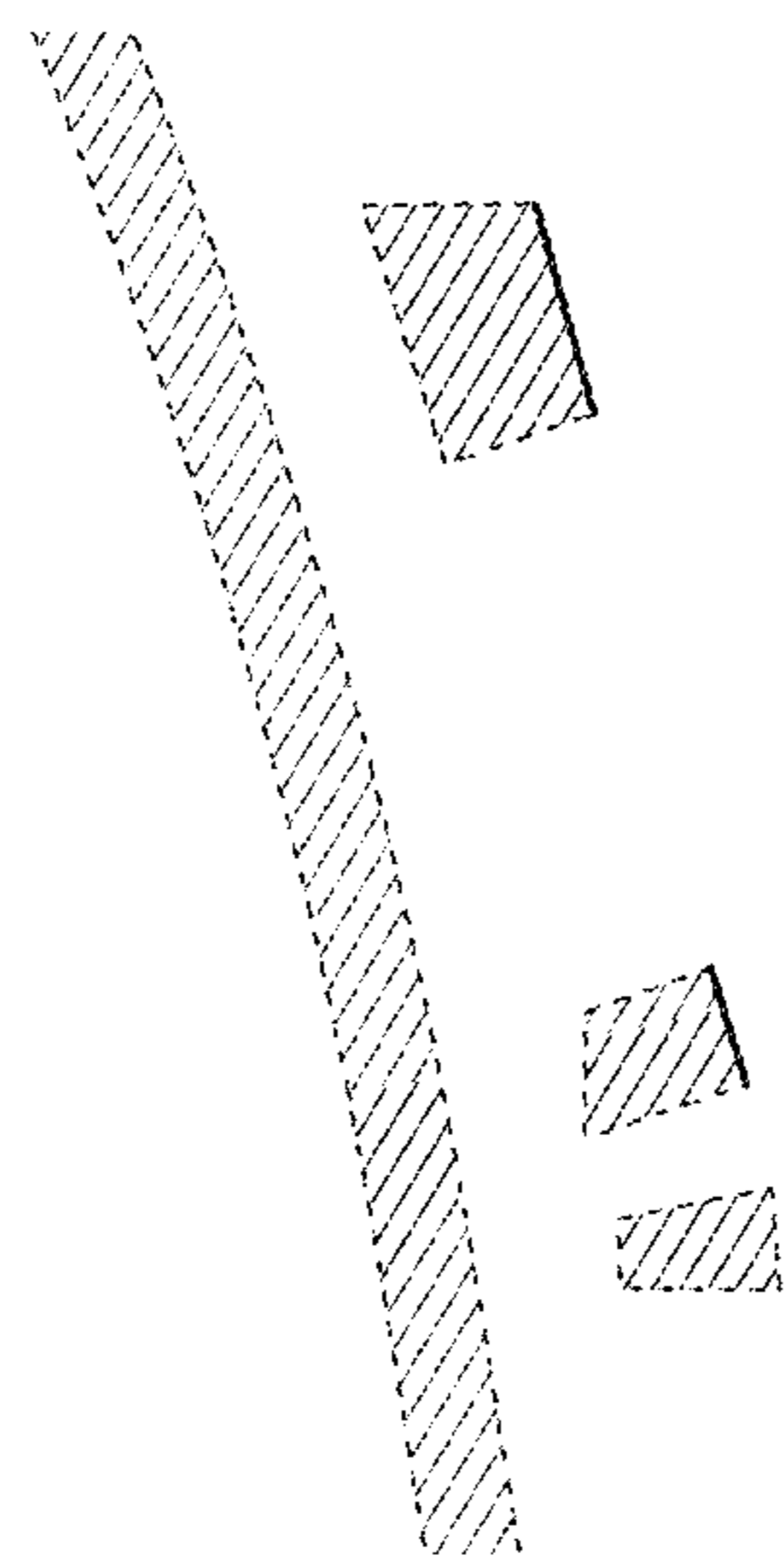




FIG. 7

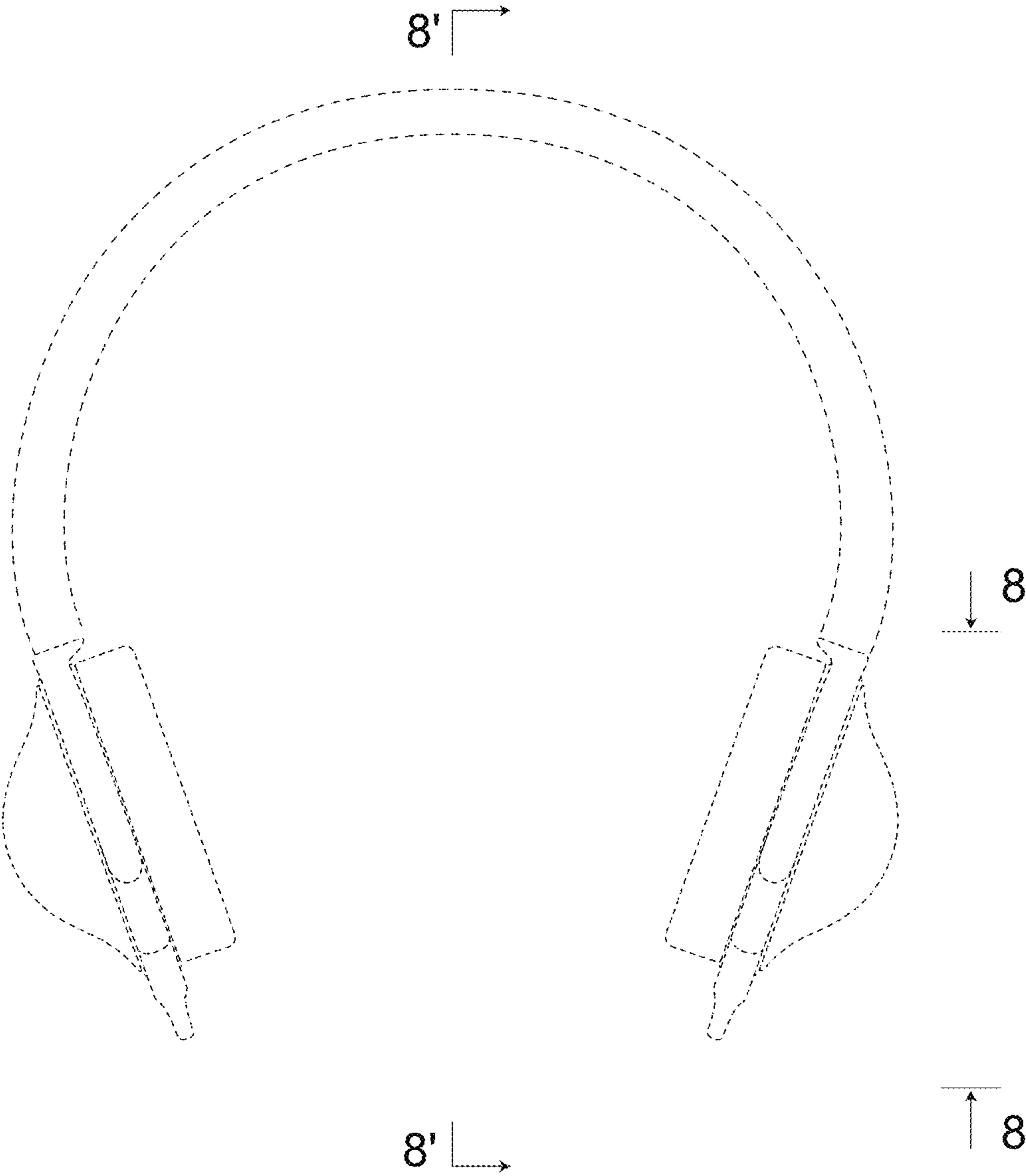
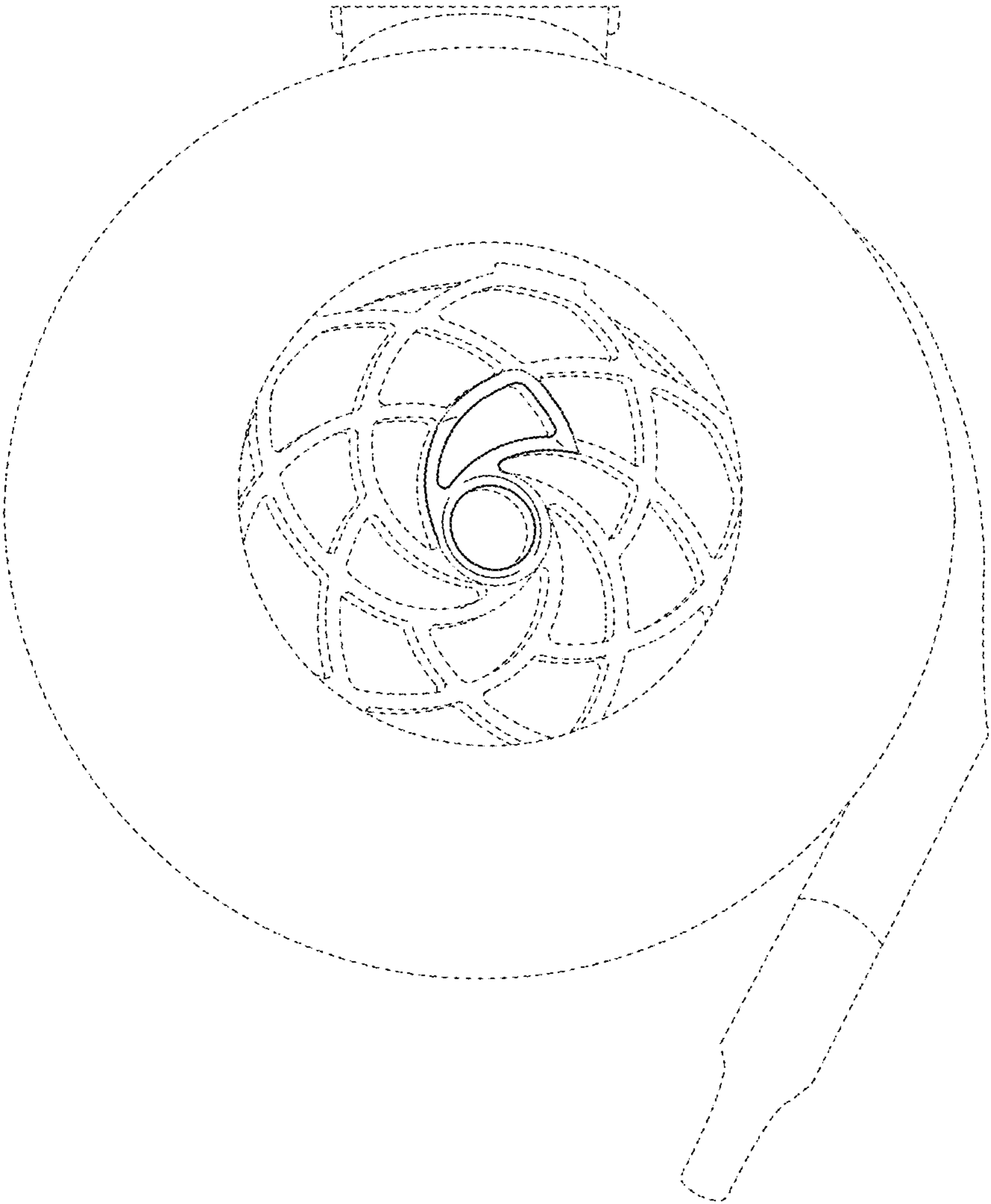


FIG.8

← 10



← 10

FIG.9

