



US00D821997S

(12) **United States Design Patent** (10) **Patent No.:** **US D821,997 S**  
**Oshima et al.** (45) **Date of Patent:** **\*\* Jul. 3, 2018**

(54) **MEGAPHONE** 7,088,830 B2 \* 8/2006 Norris ..... F41H 13/0081  
 367/155  
 (71) Applicant: **Panasonic Intellectual Property** D630,539 S \* 1/2011 Barley ..... D10/119.1  
**Management Co., Ltd., Osaka-shi,** D642,155 S \* 7/2011 Dooley ..... D14/187  
**Osaka (JP)** D680,999 S \* 4/2013 Chan ..... D14/158  
 D695,259 S \* 12/2013 Chan ..... D14/158  
 D709,478 S 7/2014 Chan  
 9,042,204 B2 \* 5/2015 Barley ..... G10K 15/02  
 367/197  
 (72) Inventors: **Yusuke Oshima, Tokyo (JP); Hiroyuki**  
**Matsumoto, Tokyo (JP)** D772,191 S 11/2016 Ludwig  
 2007/0194030 A1 \* 8/2007 Bakti ..... A47G 19/2227  
 220/703  
 (73) Assignee: **PANASONIC INTELLECTUAL**  
**PROPERTY MANAGEMENT CO.,** 2014/0029760 A1 \* 1/2014 Dooley ..... H04R 1/02  
**LTD., Osaka (JP)** 381/75

(\*\*) Term: **15 Years**

**FOREIGN PATENT DOCUMENTS**

(21) Appl. No.: **29/598,994**

JP 1535807 10/2015  
 JP 1563923 11/2016  
 JP 1563925 11/2016

(22) Filed: **Mar. 30, 2017**

\* cited by examiner

(30) **Foreign Application Priority Data**

Oct. 6, 2016 (JP) ..... 2016-021788

(51) **LOC (11) Cl.** ..... **14-03**

(52) **U.S. Cl.**  
USPC ..... **D14/187**

(58) **Field of Classification Search**  
 USPC ..... D10/119.1, 120; D14/158, 167, 168,  
 D14/170-172, 185-188, 204, 207, 208,  
 D14/210, 214, 221, 222; 181/144, 147,  
 181/148, 150, 152-155, 157, 159, 171,  
 181/174, 178, 189; 359/804, 805,  
 359/809-811; 381/24, 153, 159, 182  
 CPC ..... H04R 1/02; G10K 11/08; G10K 11/16;  
 G10K 15/02; H04B 1/38; H04M 1/00  
 See application file for complete search history.

*Primary Examiner* — Derrick E Holland

*Assistant Examiner* — Janice Julia Patyk

(74) *Attorney, Agent, or Firm* — Brinks Gilson & Lione

(57) **CLAIM**

We claim the ornamental design for a megaphone, as shown and described.

**DESCRIPTION**

FIG. 1 is a front perspective view of a megaphone showing our new design;

FIG. 2 is a rear perspective view thereof;

FIG. 3 is a front view thereof;

FIG. 4 is a rear view thereof;

FIG. 5 is a first side view thereof;

FIG. 6 is a second side view thereof;

FIG. 7 is a top view thereof; and,

FIG. 8 is a bottom view thereof.

The broken lines shown in the drawings illustrate portions of a megaphone that form no part of the claimed design.

(56) **References Cited**

**U.S. PATENT DOCUMENTS**

D271,968 S \* 12/1983 Segan ..... D14/187  
 D283,772 S 5/1986 Vail  
 D508,720 S 8/2005 Yuen

**1 Claim, 8 Drawing Sheets**

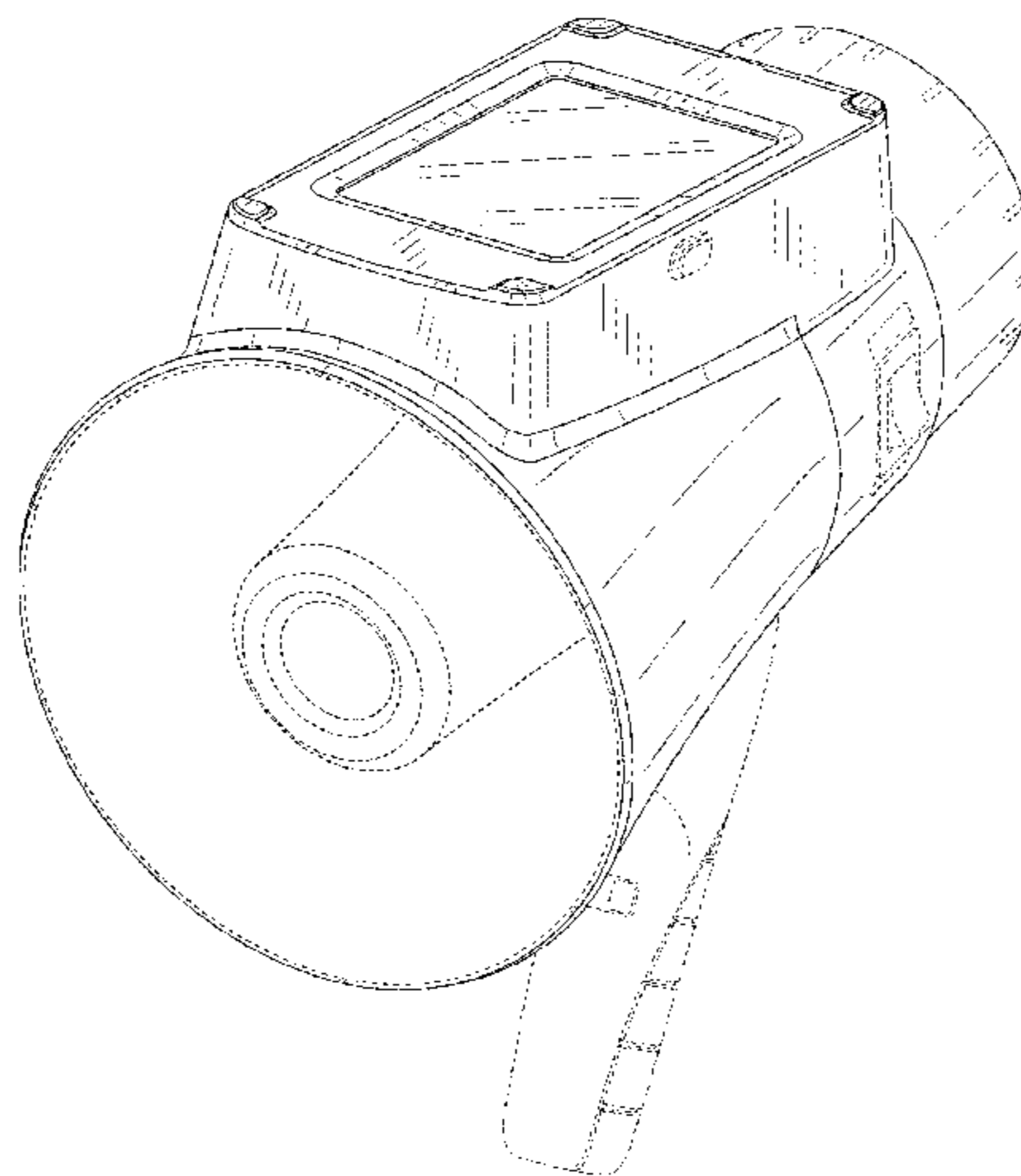


FIG. 1

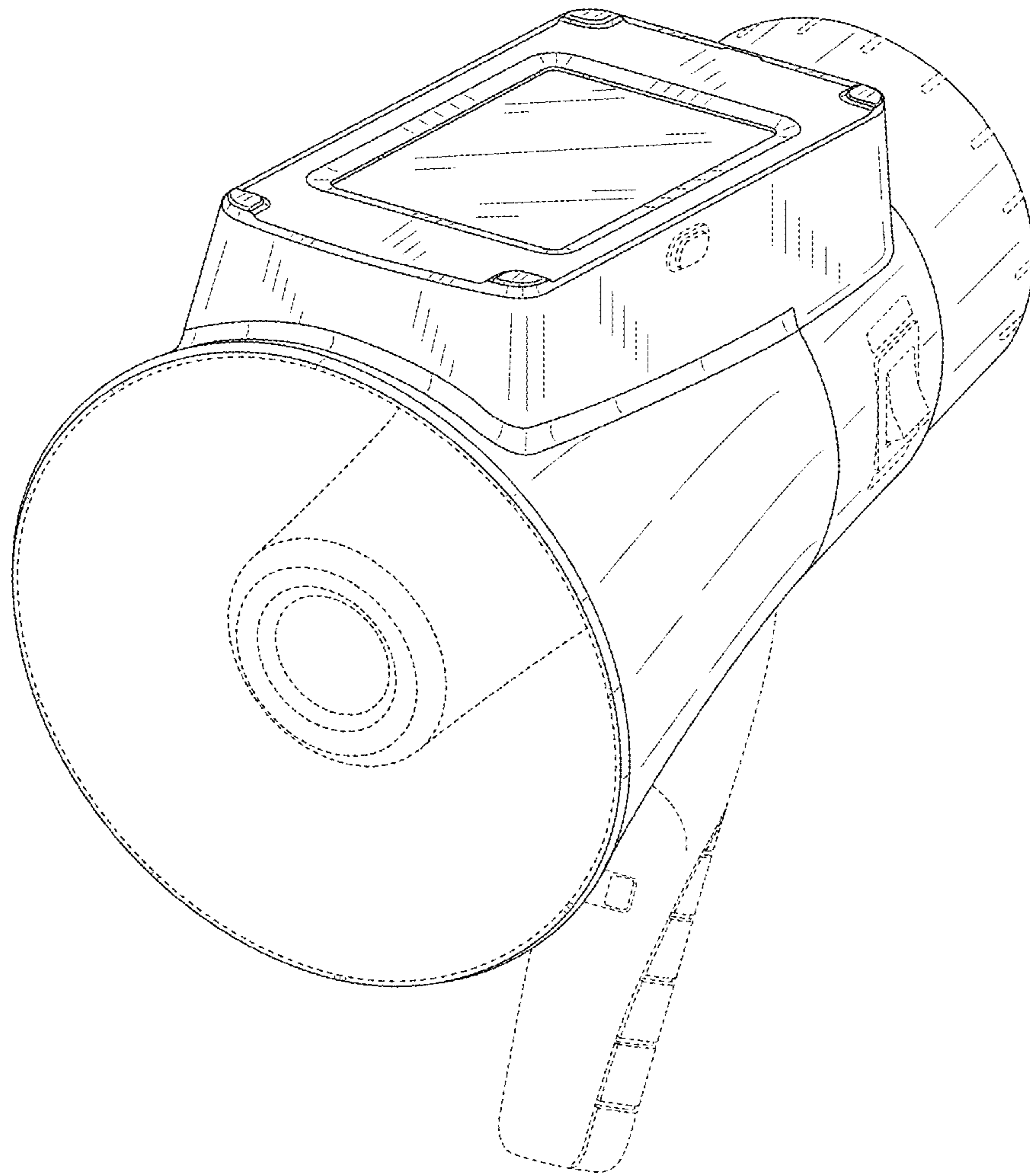


FIG. 2

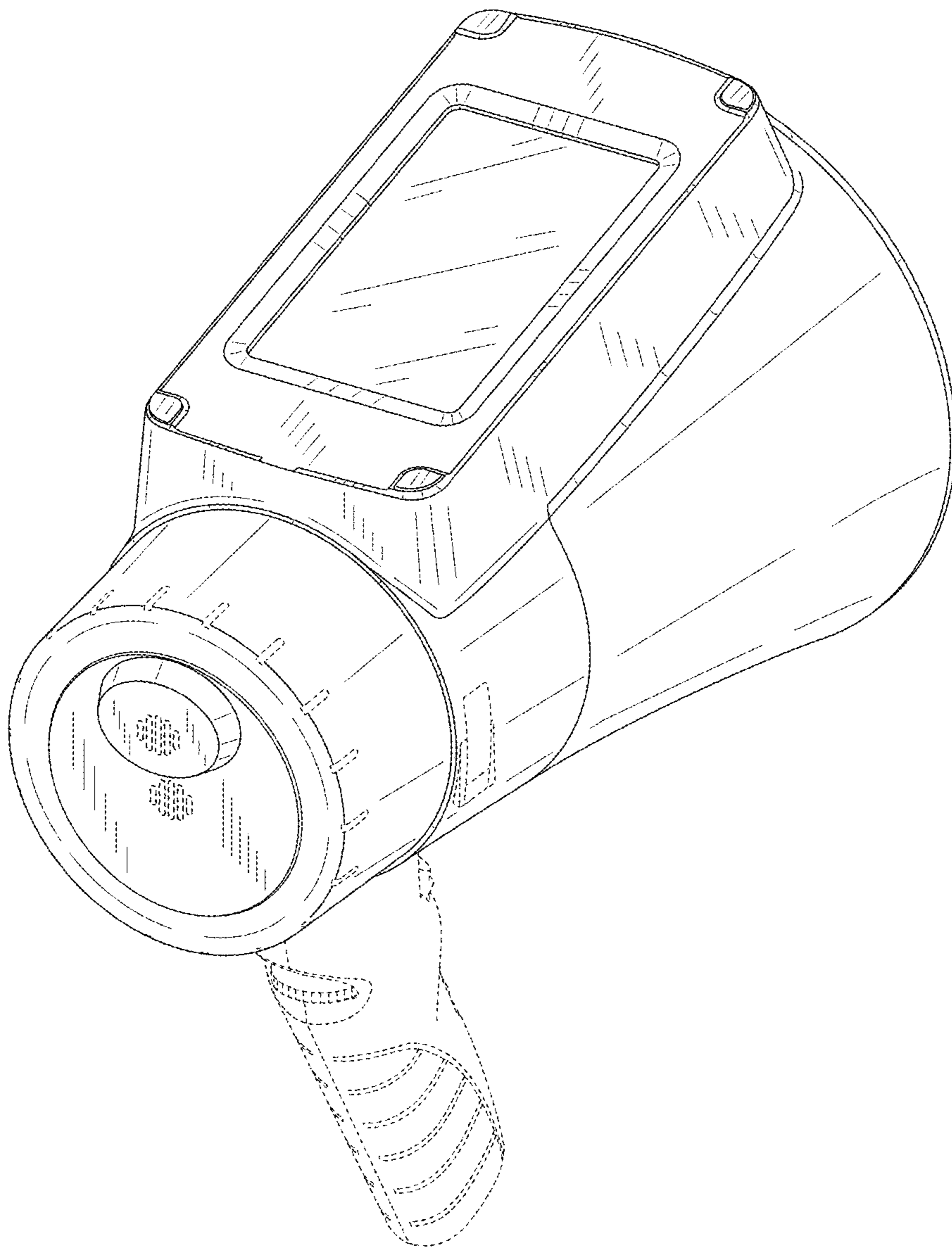


FIG. 3

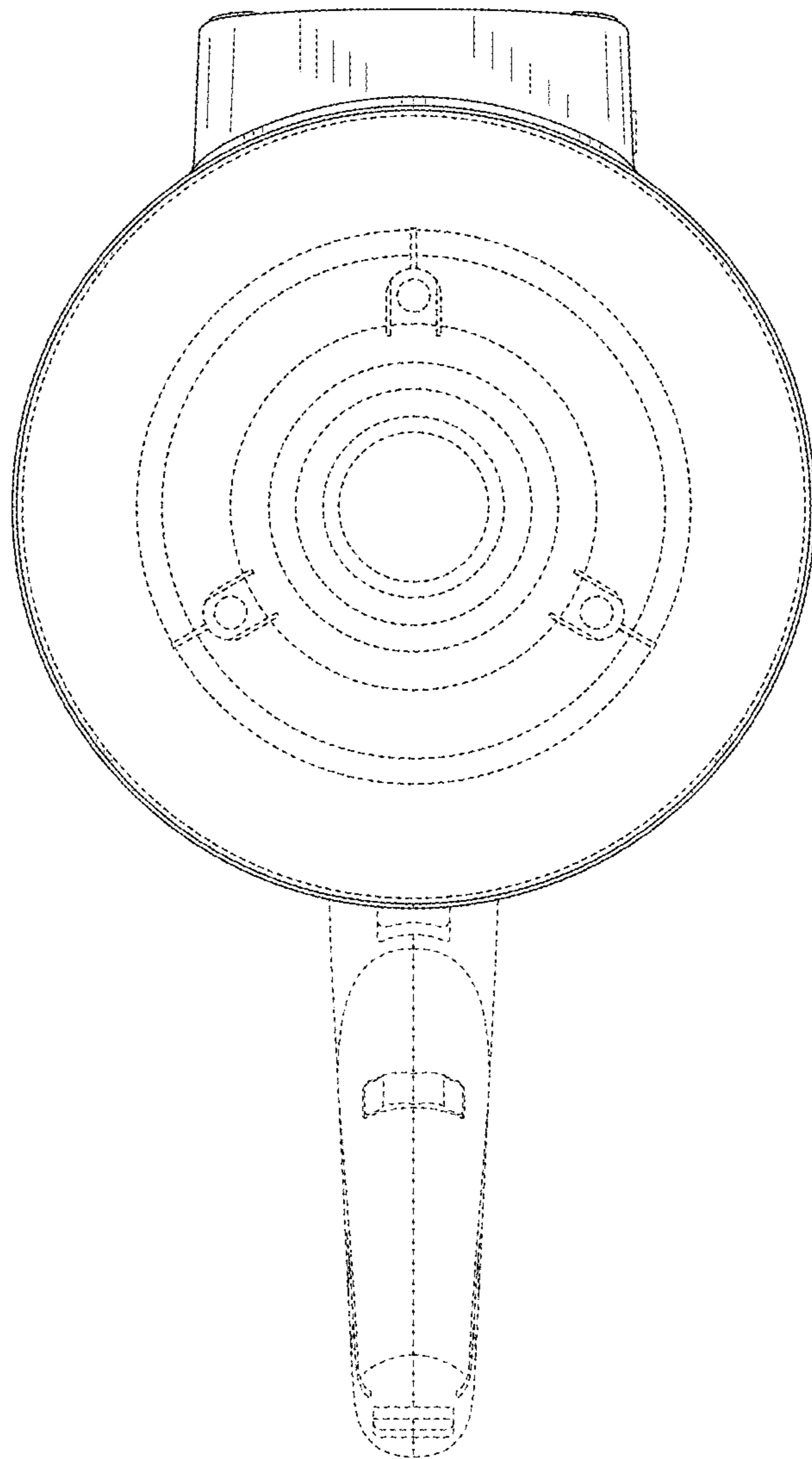


FIG. 4

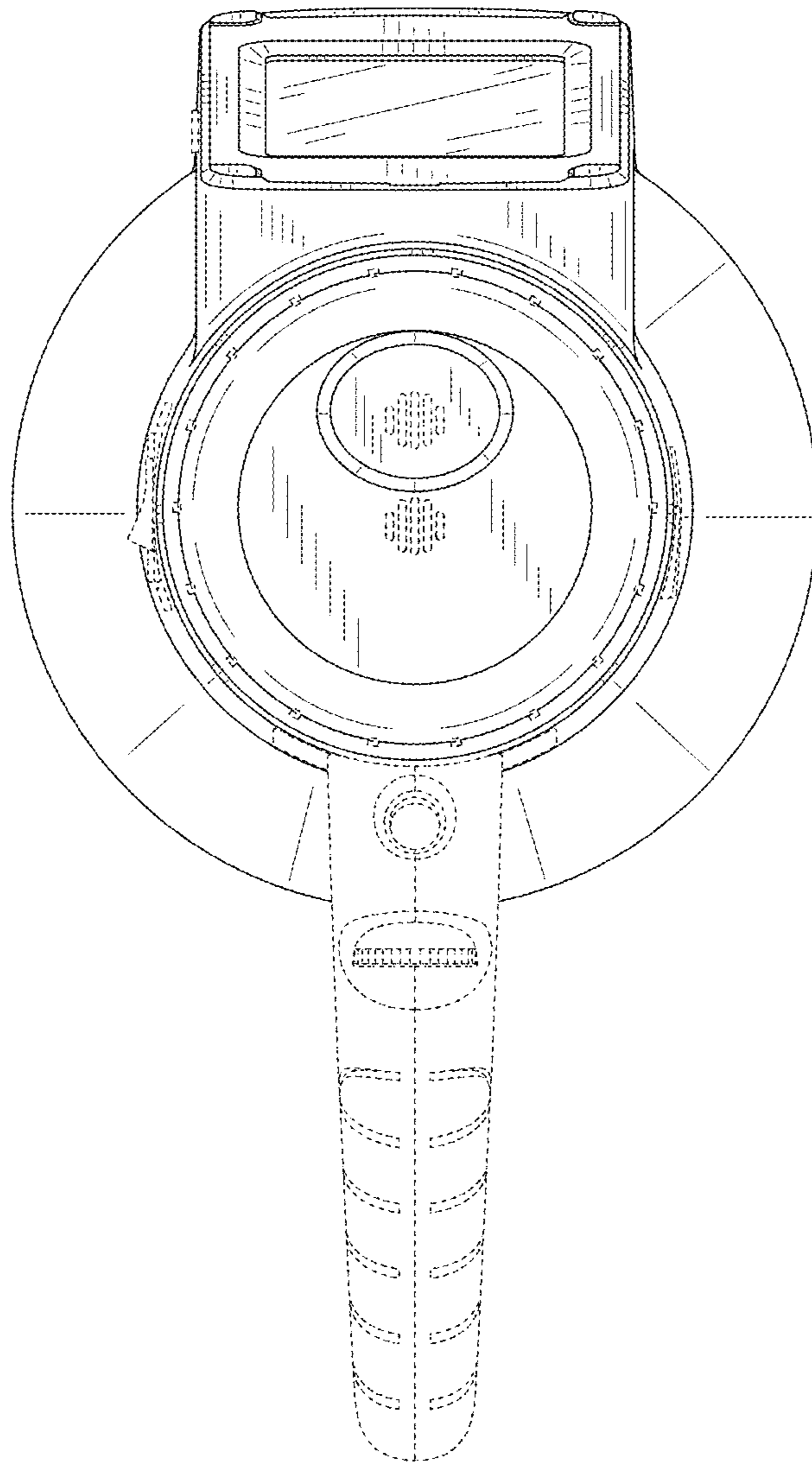


FIG. 5

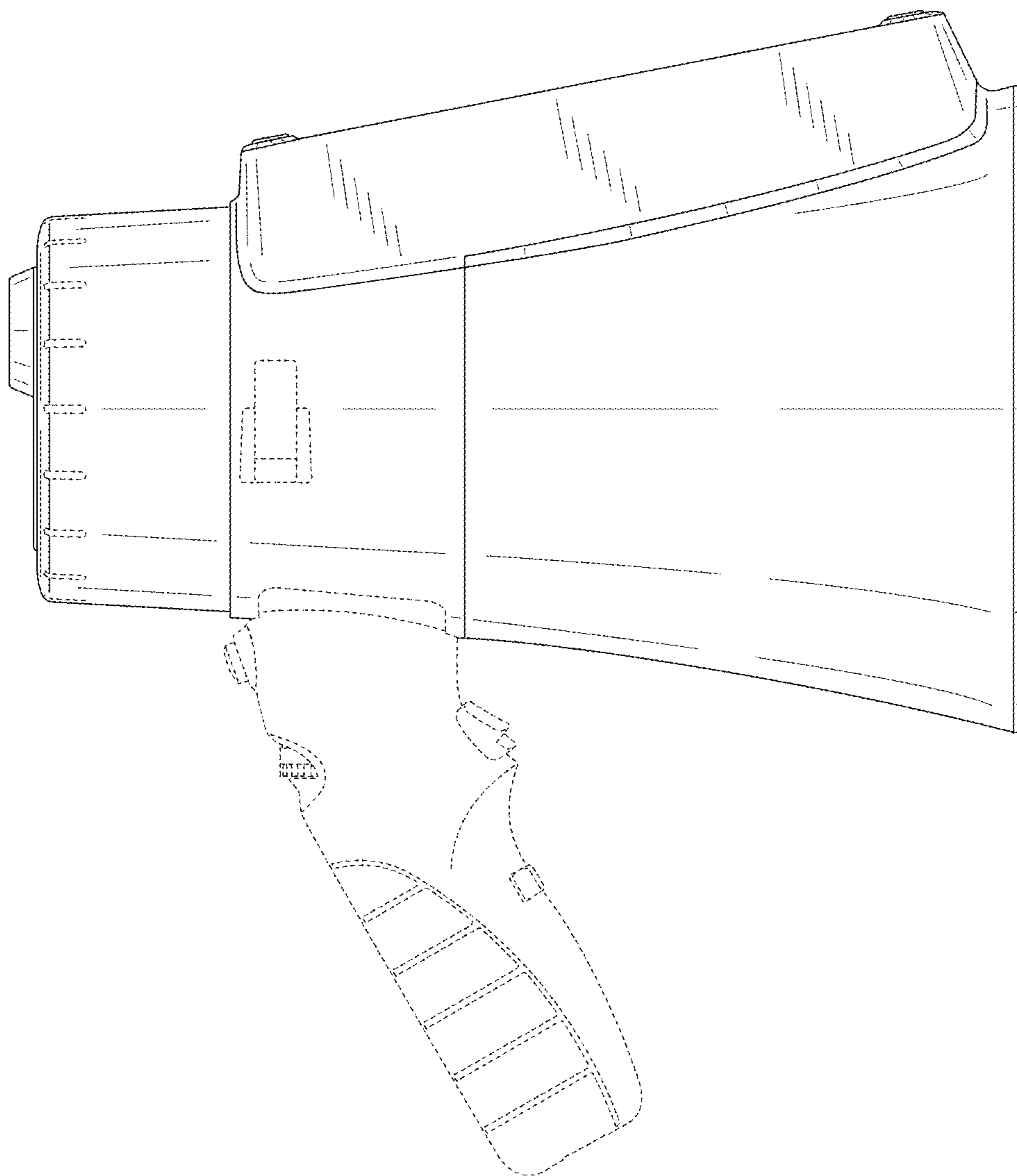


FIG. 6

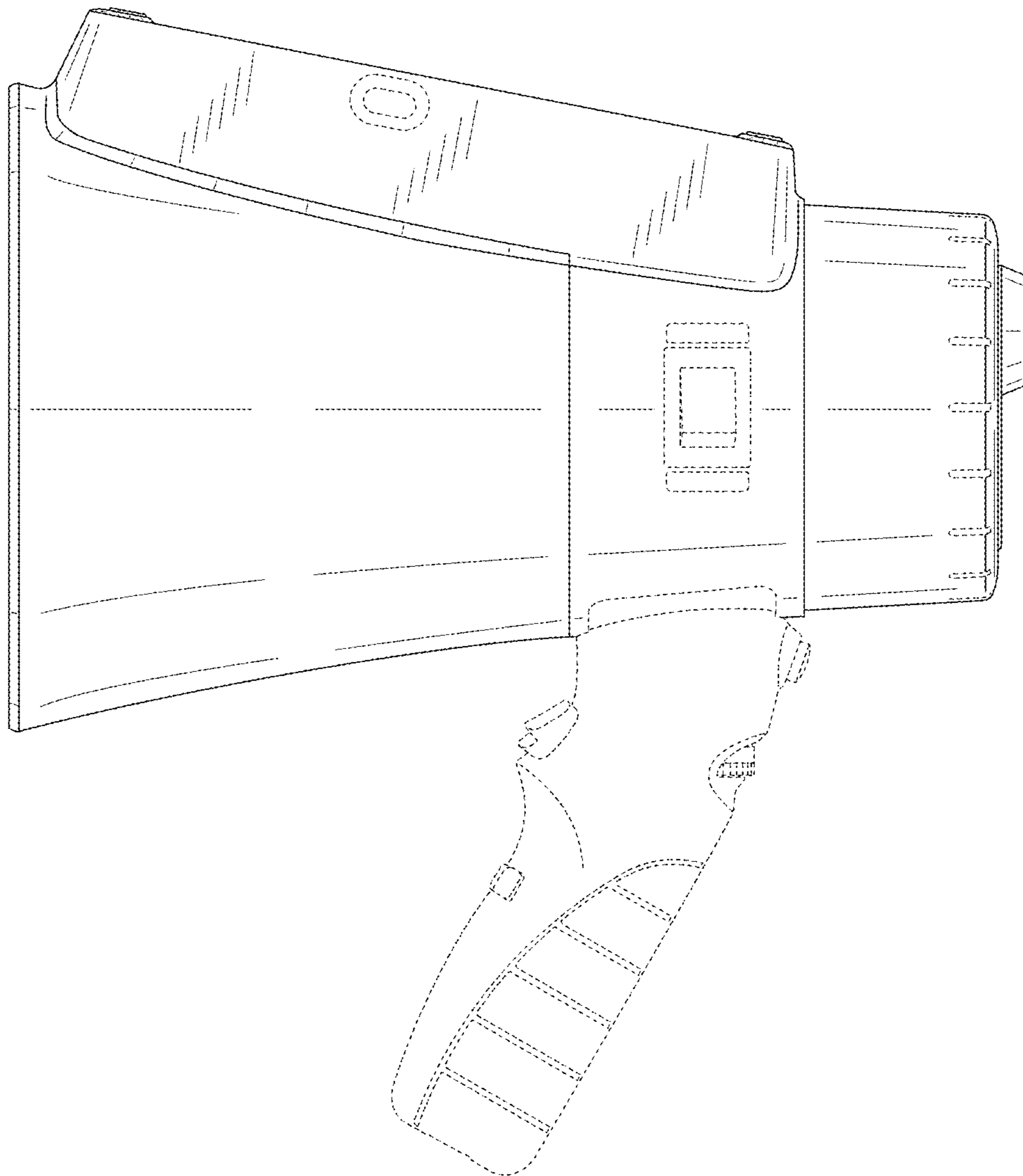


FIG. 7

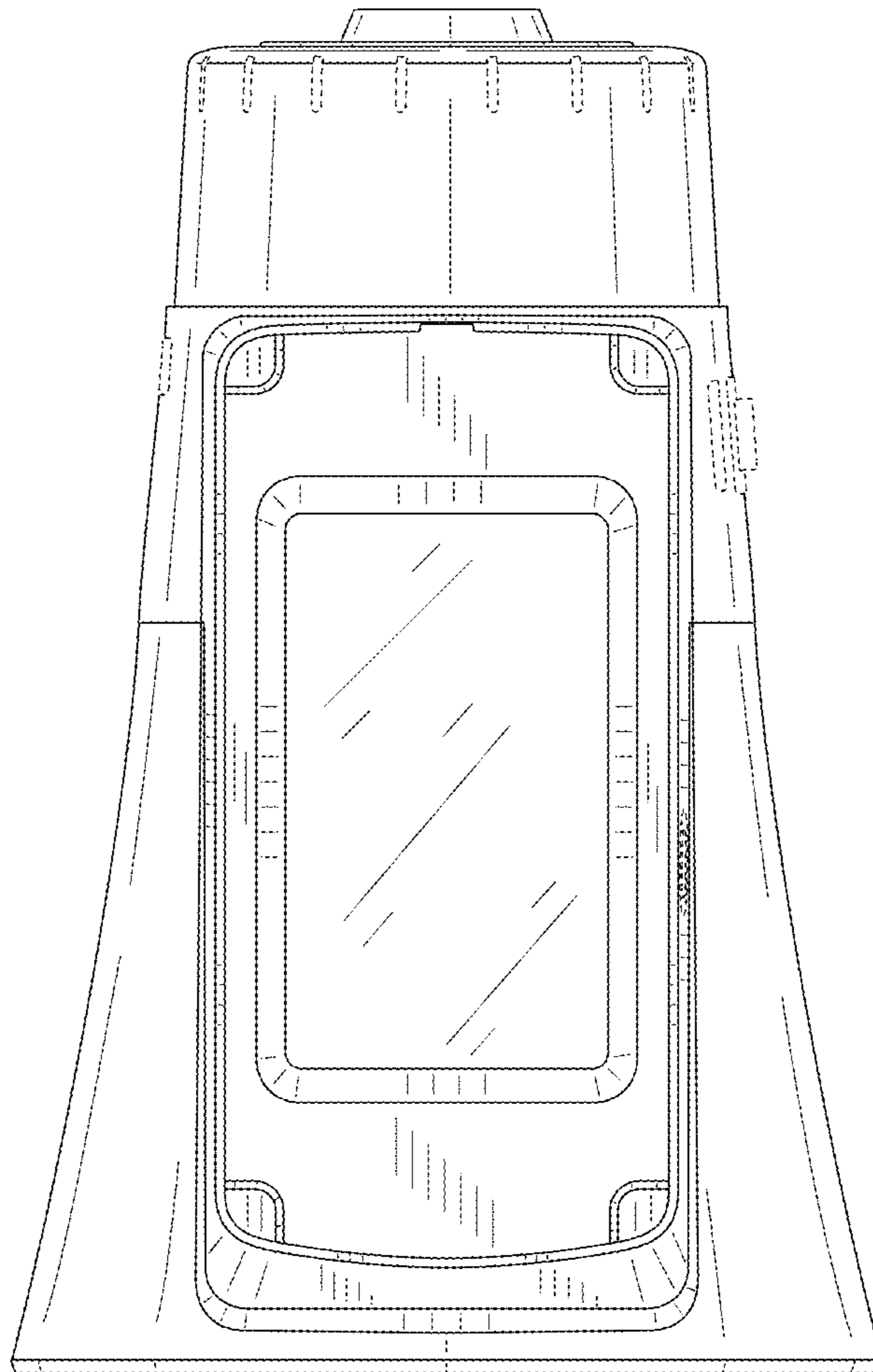




FIG. 8

